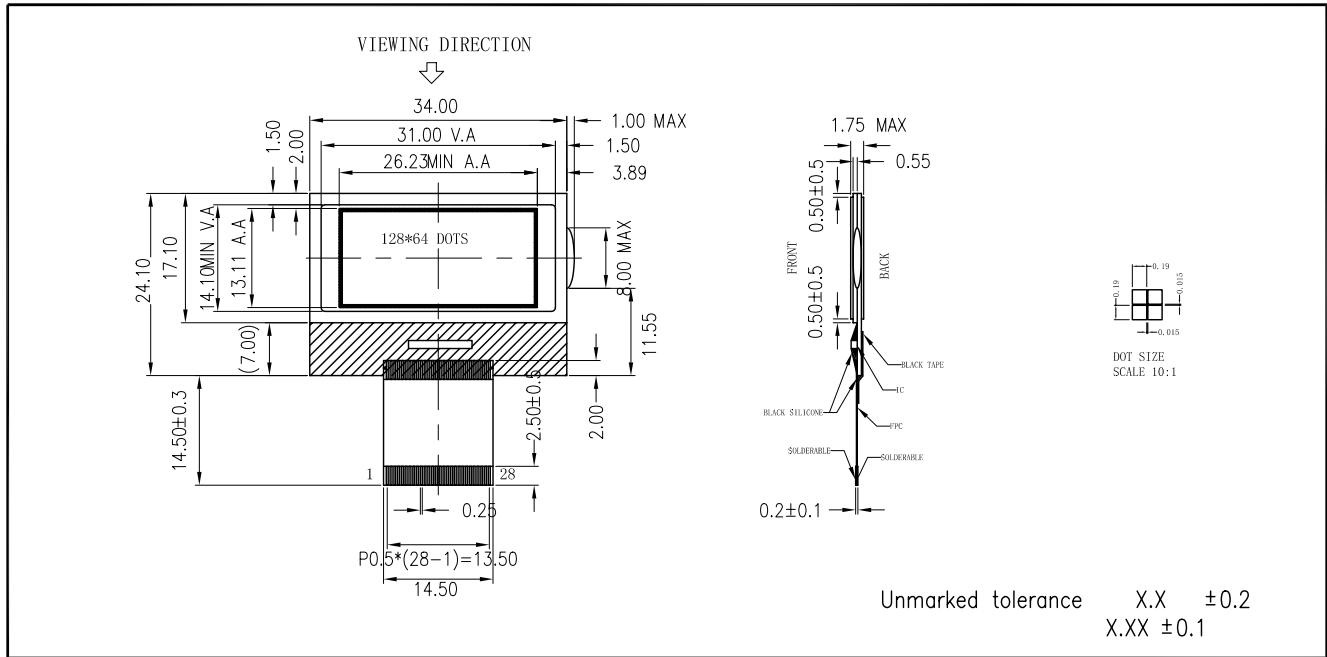


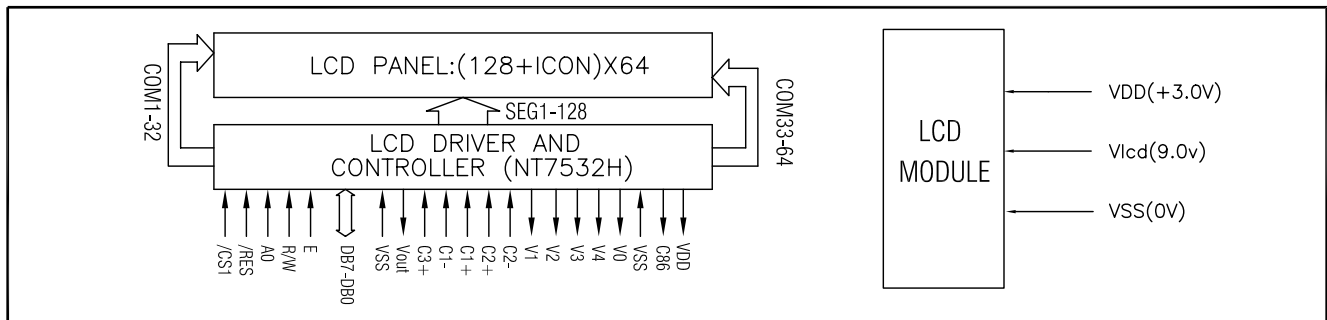
AV-DISPLAY AGG128064V Series

128x64 DOTS
1/65 DUTY, 1/9 BIAS

OUTLINE DIMENSIONS



BLOCK DIAGRAM & POWER SUPPLY



MECHANICAL SPECIFICATIONS & FEATURE

Item	Normal Dimensions(mm)	FEATURE	
Module Size (W*H*T)	34.0x38.6x1.75	LCD Type	STN, FSTN
View Area (W*H)	31.0*14.1	LCD Colour	STN:Yellow-Green, Gray FSTN:Gray
DotsxDots(W*H)	128X64	View Angle	6 O'clock, 12 O'clock
Dot Pitch (W*H)	0.205X0.205	Display Type	Positive Type, Negative Type
Dot Size (W*H)	0.19X0.19	Rear polarizer	Transflective, Reflective, Transflective
---	---	Operating Temperature	0°C ~ 50°C, -10°C ~ 60°C
---	---	Backlight	With EL Backlight or without Backlight

ELECTRICAL CHARACTERISTICS

Item	Symbol	Test Condition	Min.	Typ.	Max.	Unit
Operating Voltage	Vdd	Ta=25°C	---	3.0	---	V
Operating Voltage for LCD	Vlcd	Ta=25°C	---	9.0	---	V
Supply Current	Idd	Ta=25°C, Vdd=3.0V	---	0.3	---	mA
Supply Current for Backlight	If	---	---	---	---	mA

INTERFACE PIN CONNECTIONS

Pin No	Symbol	Level	Description	Pin No	Symbol	Level	Description
1	VDD	--	Power supply for Logic	13	CAP3+	--	Capacitor 3 positive connection pin
2	C86	--	MPU interface selection (H:68-series MPU L:80-series MPU)	14	Vout	--	Voltage converter input/output pin
3	VSS	--	Ground for Logic	15	VSS	--	Ground for Logic
4	V0	--	LCD driver supply voltages Voltages should have the following relationship: V0 ≥ V1 ≥ V2 ≥ V3 ≥ V4 ≥ VSS	16-23	DB7-DB0	H/L	Data bus lines
5	V4	--		24	E/RD	L	Read signal
6	V3	--		25	R/W-WR	L	Write signal
7	V2	--		26	A0	H/L	Register selection
8	V1	--		27	/RES	L	Reset signal
9	CAP2-	--	Capacitor 2 negative connection pin	28	/CS1	L	Chip selection
10	CAP2+	--	Capacitor 2 positive connection pin				
11	CAP1+	--	Capacitor 1 positive connection pin				
12	CAP1-	--	Capacitor 1 negative connection pin				

REMARK

Old No:AV-G12864V1-C Series