

BG240128B3



Feature

1. SMT PCB with metal frame
2. Built-in controller LC7981(=HD 61830)
3. 1/128 duty cycle
4. +5V power supply
5. Option: negative voltage
6. Option: LED, EL B/L, CCFL

Mechanical Data

| Item | Standard Value | Unit |
|------------------|----------------|------|
| Module Dimension | 144.0 x 104.0 | mm |
| Viewing Area | 114.0 x 64.0 | mm |
| Dot Size | 0.43 x 0.43 | mm |
| Dot Pitch | 0.45 x 0.45 | mm |



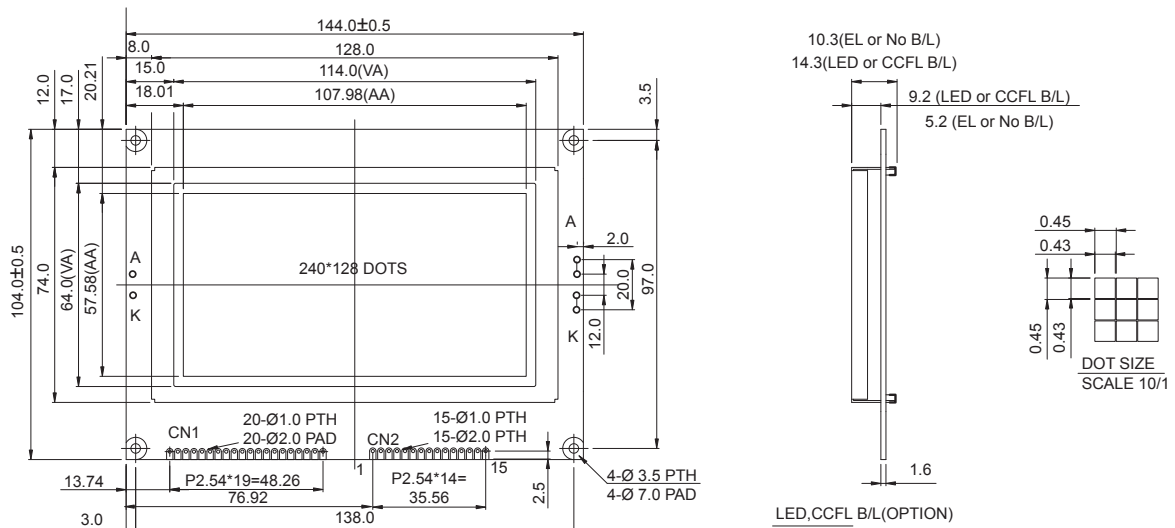
Pin Assignment

| Pin | Symbol | Function |
|------|--------|------------------------------|
| 1 | Vss | Power supply (GND) |
| 2 | Vdd | Power supply(+5V) |
| 3 | Vo | Contrast adjustment |
| 4 | RS | Data/Instruction select |
| 5 | R/W | Read/Write select |
| 6 | E | Enable signal |
| 7~14 | DB0~7 | Data bus line |
| 15 | /CS | Chip select |
| 16 | /RST | Reset signal |
| 17 | Vee | Negative voltage output -15V |
| 18 | A | Power supply for B/L (+) |
| 19 | K | Power supply for B/L (GND) |
| 20 | NC | No connection |

Electronic Characteristics

| Item | Symbol | Condition | Typical Value | Unit |
|---------------------|--------|-----------|---------------|------|
| Input Voltage | Vdd | Vdd = +5V | 5.0 | V |
| Supply Current | Idd | Vdd = +5V | 35.0 | mA |
| LCD Driving Voltage | Vdd-Vo | 25°C | 19.1 | V |
| LED Forward Voltage | Vf | 25°C | 4.2 | V |
| LED Forward Current | If | 25°C | 900 | mA |

Dimension



CN2 NO CONNECTION