

DV series

DV-16120 16 characters x 1 line

Mechanical Data

Item	Standard Value	Unit
Module Dimensions	151.0(W) X 40.0(H) X 14.7 (D)	mm
Viewing Area	120.0(W) X 23.0(H)	mm
Dot Size	1.152(W) X 1.765(H)	mm
Dot Pitch	1.212(W) X 1.825(H)	mm

Absolute Maximum Ratings

Item	Symbol	Standard Value			Unit
		Min.	Typ.	Max.	
Supply Voltage for Logic	$V_{dd}-V_{ss}$	-0.3	--	7.0	V
Supply Voltage for LCD Drive	$V_{dd}-V_{ee}$	$V_{dd}-13.5$	--	$V_{dd}+0.3$	V
Input Voltage	V_i	-0.3	--	$V_{dd}+0.3$	V
Operation Temperature	Topr	0	--	50	°C
Storage Temperature	Tstg	-20	--	70	°C

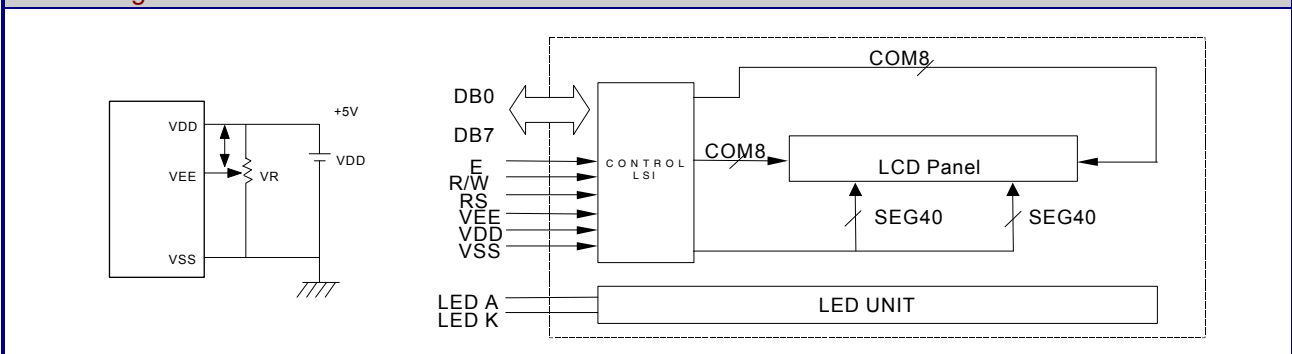
Electrical Characteristics

Item	Symbol	Condition	Standard Value			Unit
			Min.	Typ.	Max.	
Input "High" Voltage	V_{IH}		2.2	--	V_{dd}	V
Input "Low" Voltage	V_{IL}	$-I_{OH}=0.205mA$	0	--	0.6	V
Output "High" Voltage	V_{OH}	$I_{OL}=1.2mA$	0	--	0.4	V
Output "Low" Voltage	V_{OL}		--	--	0.4	V
Supply Current	I_{dd}	$V_{dd} = 5V$	--	2.0	5.0	mA

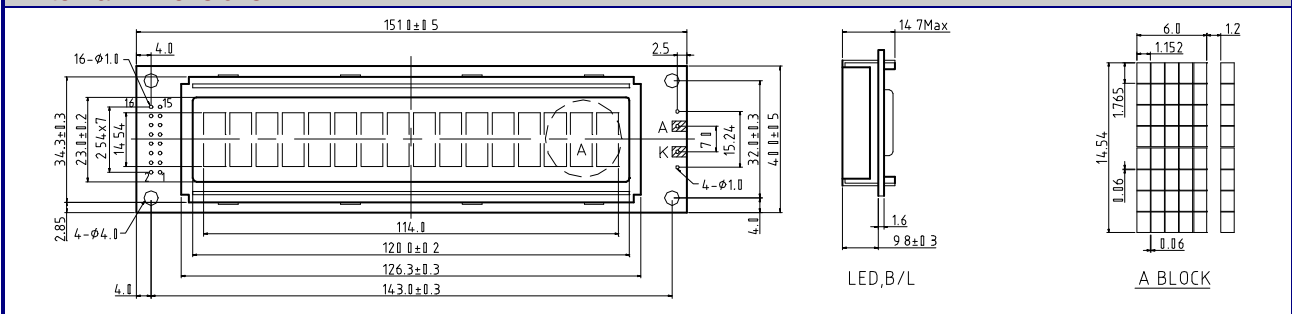
Pin Assignment

No.	Symbol	Function	No.	Symbol	Function
1	V_{SS}	GND, 0V	9	DB2	Data Bus Line
2	V_{DD}	+5V	10	DB3	Data Bus Line
3	V_{EE}	For LCD Drive	11	DB4	Data Bus Line
4	RS	Function Select	12	DB5	Data Bus Line
5	R/W	Read/Write	13	DB6	Data Bus Line
6	E	Enable Signal	14	DB7	Data Bus Line
7	DB0	Data Bus Line	15	LEDA	LED Power Supply
8	DB1	Data Bus Line	16	LEDK	LED Power Supply

Block Diagram



External Dimensions



Option

LCD Type								Backlight Type			Built-in Control LSI		
S1	S2	W	N	R	F	M	H	EL	LED	CCFL	Touch Panel	KS-0066U or equivalent	
•	•		•	•	•	•	•	•	•				

Remarks: S1 : yellow-green STN LCD , S2 : gray STN LCD, W : black & white LCD, N : negative type LCD, R : reflective type LCD, F : transfective type LCD, M : transmissive type LCD, H : extended temperature type LCD (-20 °C ~ 70 °C)

Tel.: +49 89 89979764

Fax: +49 89 89979765

Email: info@dst-gmbh.de

