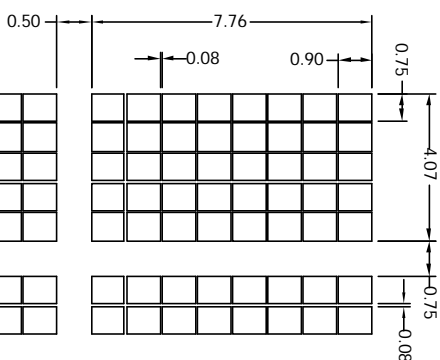
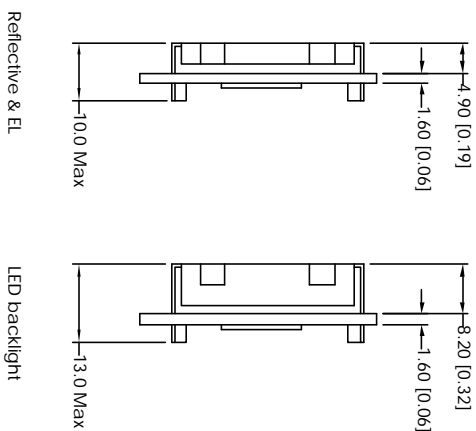
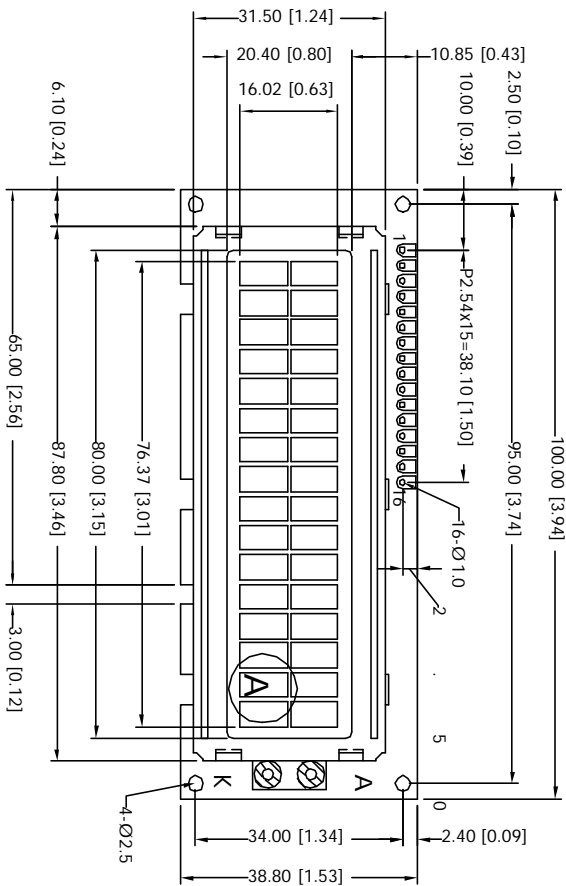
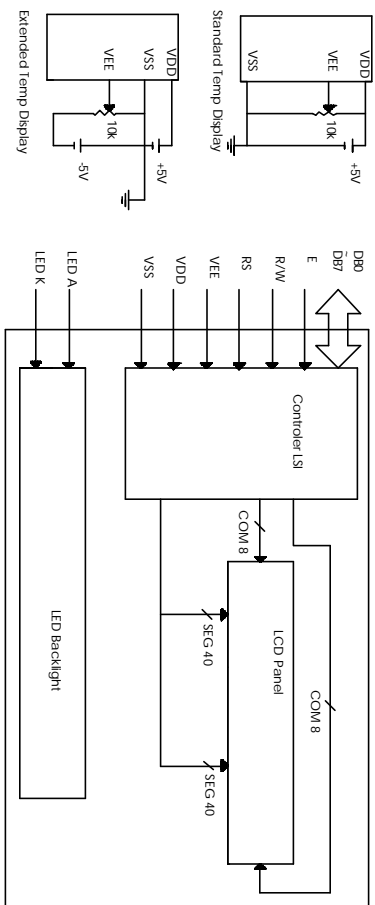


REVISIONS				
ZONE	REV	DESCRIPTION	DATE	APPROVED
	1	New Release	8/24/01	KK

Block Diagram



A BLOCK

Pin	Symbol	Signal Description
1	VSS	Logic Ground (0V)
2	VDD	Power Supply (5V)
3	VEE	LCD Drive Voltage
4	RS	Register Select High = Data Low = Instruction
5	R/W	Signal Description High = LCM to MPU Low = MPU to LCM
6	E	Signal Description R/W = Low/Data read at falling edge of E R/W = High: Data can be read when E is high
7-14	DB0-DB7	Data Bus
15	LED K	4 or 8 bit parallel, software selectable LED power supply
16	LED A	LED power supply

Parameter	Dimensions	Units
Module Size (W x H x L)	100.0 x 38.8 x 10.0*	mm
View Area	80.0 x 20.4	mm
Character Size	7.76 x 4.07	mm
Dot Size	0.75 x 0.90	mm

\* reflective version

**DATA INTERNATIONAL**  
 5201 Quakeridge Blvd., Suite 195  
 Charlotte, N.C. 28217  
 Phone: 407-380-2342  
 Fax: 407-380-0778

**DV-16276**  
 16 characters x 2 line LCM

SIZE	FSCM NO.	DMC NO.	REV
SCALE	DATE	8/24/01	SHEET 1 of 1