

8452 GL

DC axial compact fan



ebm-papst St. Georgen GmbH & Co. KG

Hermann-Papst-Straße 1

74673 St. Georgen

Phone: +49 7724 81-0

Fax: +49 7724 81-1309

www.ebmpapst.com

info2@de.ebmpapst.com

Nominal data

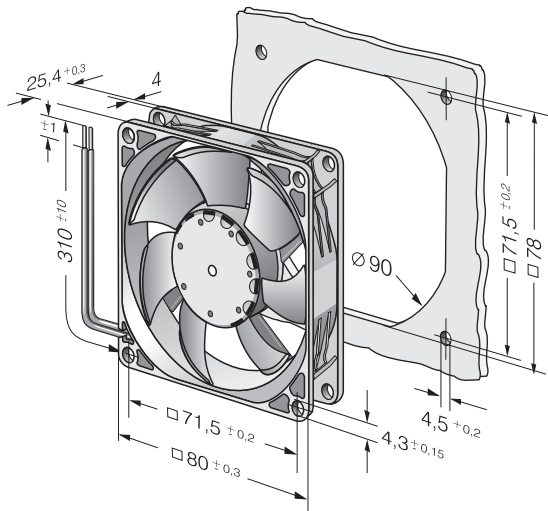
Type	8452 GL	
Nominal voltage	[VDC]	12
Speed	[min ⁻¹]	1700
Power input	[W]	0.5
Min. ambient temperature	[°C]	0
Max. ambient temperature	[°C]	70
Air flow	[m ³ /h]	33
Sound power level	[B]	3.6
Sound pressure level	[dB(A)]	16

ml = max. load · me = max. efficiency · rfa = running at free air · cs = customer specs · cu = customer unit
Subject to alterations

Technical features

Dimensions	80 x 80 x 25 mm
General description	Rigid compression curve for high air flow at high counterpressure. Motor has very low structure-borne noise. Innovative impeller with winglets for low noise. Electronic commutation completely integrated.
Connection line	Single strands AWG 24, TR 64, bared and tin-plated.
Direction of protection	Counterclockwise, looking at rotor
Direction of air flow	Air exhaust over bars
Bearing	Extremely quiet Sintec sleeve bearing.
Lifetime L10 at 40 °C	80000 h
Lifetime L10 at maximum temperature	40000 h
Mass	0.105 kg
Material of impeller	Fiberglass-reinforced PA plastic
Motor protection	Protected against reverse polarity and locking.

Product drawing



Charts: Air flow

