

DV 6424 TD

# DC diagonal compact fan

sickled blades (S series)



## ebm-papst St. Georgen GmbH & Co. KG

Hermann-Papst-Straße 1

74673 St. Georgen

Phone: +49 7724 81-0

Fax: +49 7724 81-1309

[www.ebmpapst.com](http://www.ebmpapst.com)

[info2@de.ebmpapst.com](mailto:info2@de.ebmpapst.com)

## Nominal data

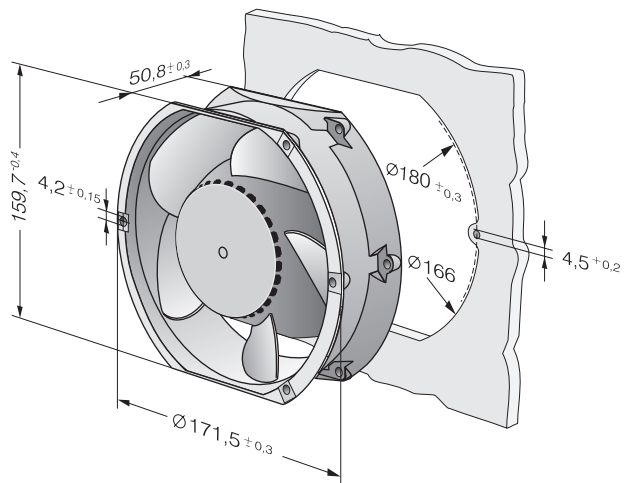
| Type                     | DV 6424 TD           |      |
|--------------------------|----------------------|------|
| Nominal voltage          | [VDC]                | 24   |
| Speed                    | [min <sup>-1</sup> ] | 5500 |
| Power input              | [W]                  | 91   |
| Min. ambient temperature | [°C]                 | -20  |
| Max. ambient temperature | [°C]                 | 60   |
| Air flow                 | [m <sup>3</sup> /h]  | 680  |
| Sound power level        | [B]                  | 7.9  |
| Sound pressure level     | [dB(A)]              | 71   |

ml = max. load · me = max. efficiency · rfa = running at free air · cs = customer specs · cu = customer unit  
Subject to alterations

**Technical features**

|                                |  |
|--------------------------------|--|
| <b>Dimensions</b>              | 172 x 160 x 51 mm  |
| <b>General description</b>     | Diagonal fan with low noise when there is a high pressure saddle curve. Very smooth running 3-phase fan drive. Very rigid compression curve for high air flow at high counterpressure. |
| <b>Connection line</b>         | Single strands AWG 22, TR 64, bared and tin-plated.  |
| <b>Direction of protection</b> | Left, looking at rotor   |
| <b>Direction of air flow</b>   | Air exhaust over bars  |
| <b>Bearing</b>                 | Ball bearings  |
| <b>Lifetime L10 at 40 °C</b>   | 65000 h  |
| <b>Mass</b>                    | 0.820 kg   |
| <b>Material of impeller</b>    | Fiberglass-reinforced PA plastic   |
| <b>Motor protection</b>        | Protected against reverse polarity and locking.  |
| <b>Approval</b>                | VDE, CSA, UL   |

## Product drawing



**Charts: Air flow**

