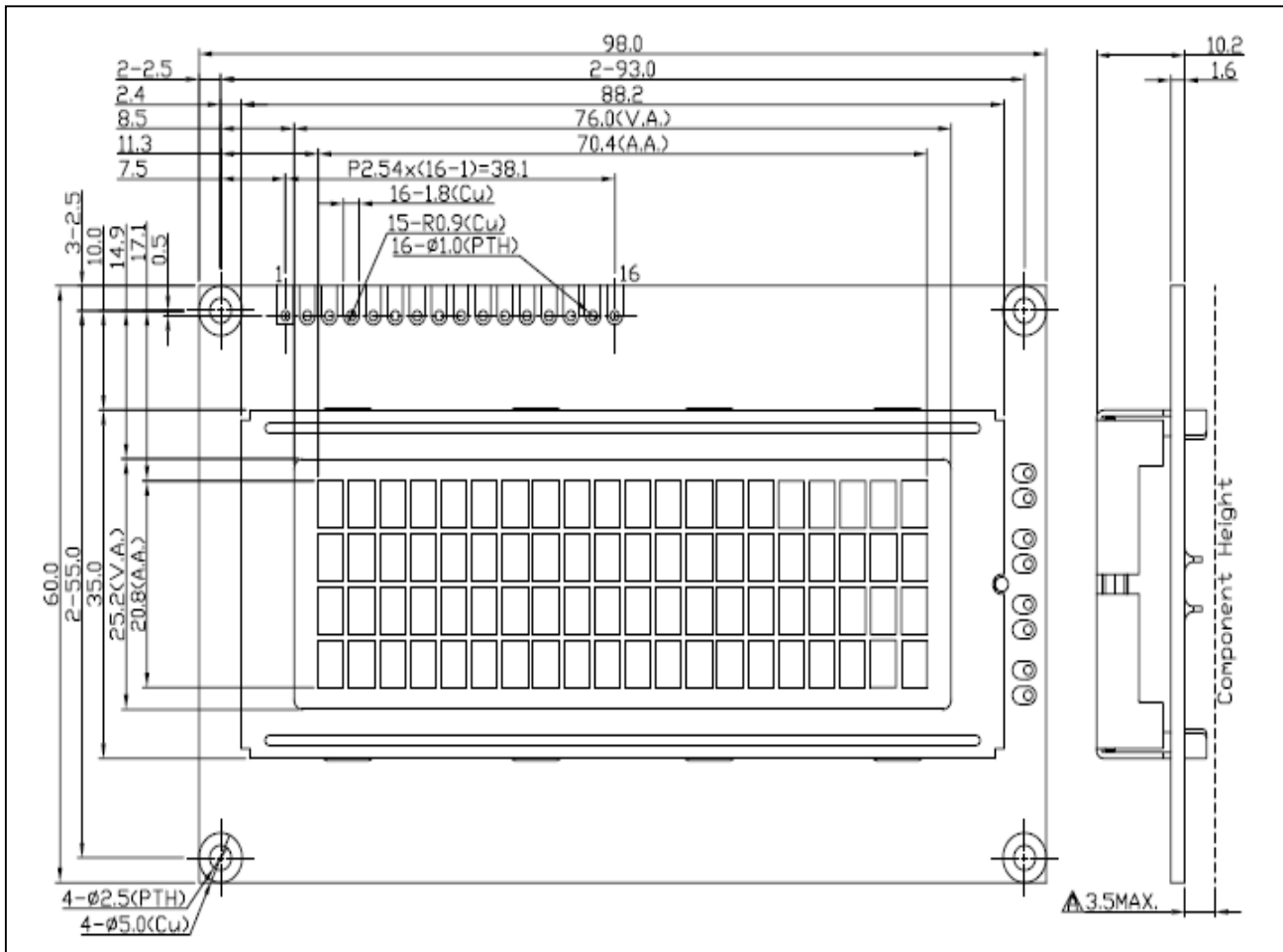
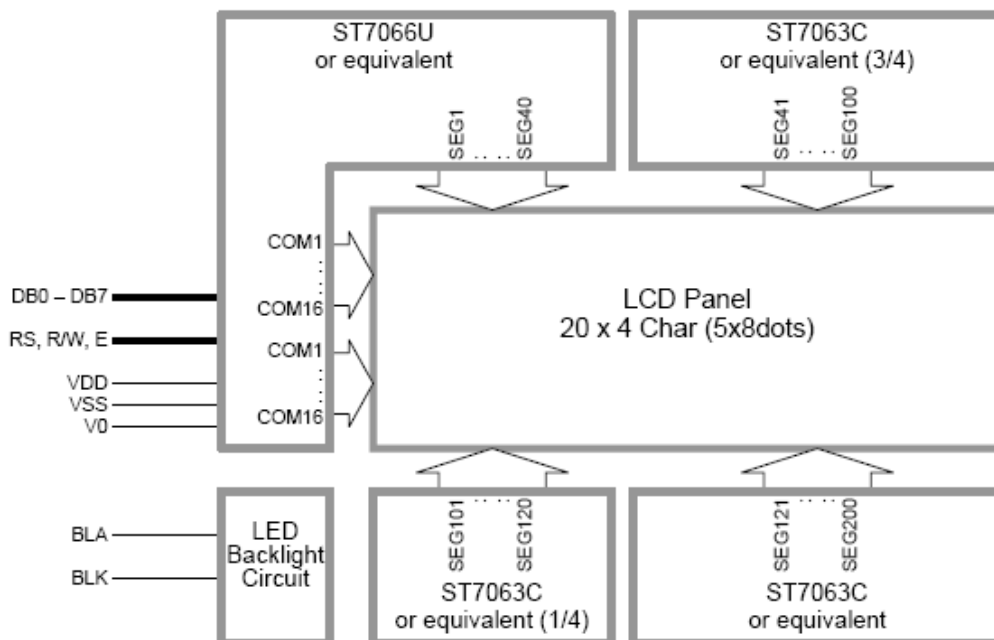


1.0 DIMENSIONAL DRAWING



2.0 BLOCK DIAGRAM



3.0 ELECTRICAL CHARACTERISTICS Ta=25 °C V_{DD}=3.0V±0.25V

Item	Symbol	Test Condition	Standard Value			
			Min.	Typ.	Max.	Unit
Input High Voltage	V _{IH}	-	0.8V _{DD}	-	V _{DD}	V
Input Low Voltage	V _{IL}	-	V _{SS}	-	0.5	V
Output High Voltage	V _{OH}	I _{OH} = - 0.1	0.7V _{DD}	-	V _{DD}	V
Output Low Voltage	V _{OL}	I _{OL} =0.1	V _{SS}	-	0.5	V
Operating Voltage	V _{DD}	V _{DD}	4.7	5.0	5.3	V
Operating Current	I _{DD}	V _{DD} V _{SS}	-	1.5	3.5	mA

4.0 ABSOLUTE MAXIMUM RATINGS

Item	Symbol	Standard Value		
		Min.	Max.	Unit
Supply Voltage	V _{DD}	0	6.0	V
Input Voltage	V _I	0	V _{DD}	V
Operating Temperature	T _{OPE}	- 20	70	°C
Storage Temperature	T _{STO}	- 30	80	°C

5.0 PIN ASSIGNMENT

PIN NO.	Symbol	Function
1	V _{SS}	GND
2	V _{DD}	Positive power supply
3	V _O	LCD contrast reference supply
4	RS	Register select
5	R/W	H: Read L: Write
6	E	Enable signal
7	DB0	Data bus line
8	DB1	
9	DB2	
10	DB3	
11	DB4	
12	DB5	
13	DB6	
14	DB7	
15	BLA	Power supply for backlight
16	BLK	

Remark

1. LCD option: STN, FSTN.
2. Customized module.
3. Backlight option: EL backlight feature, other specs not available on catalog are under request.