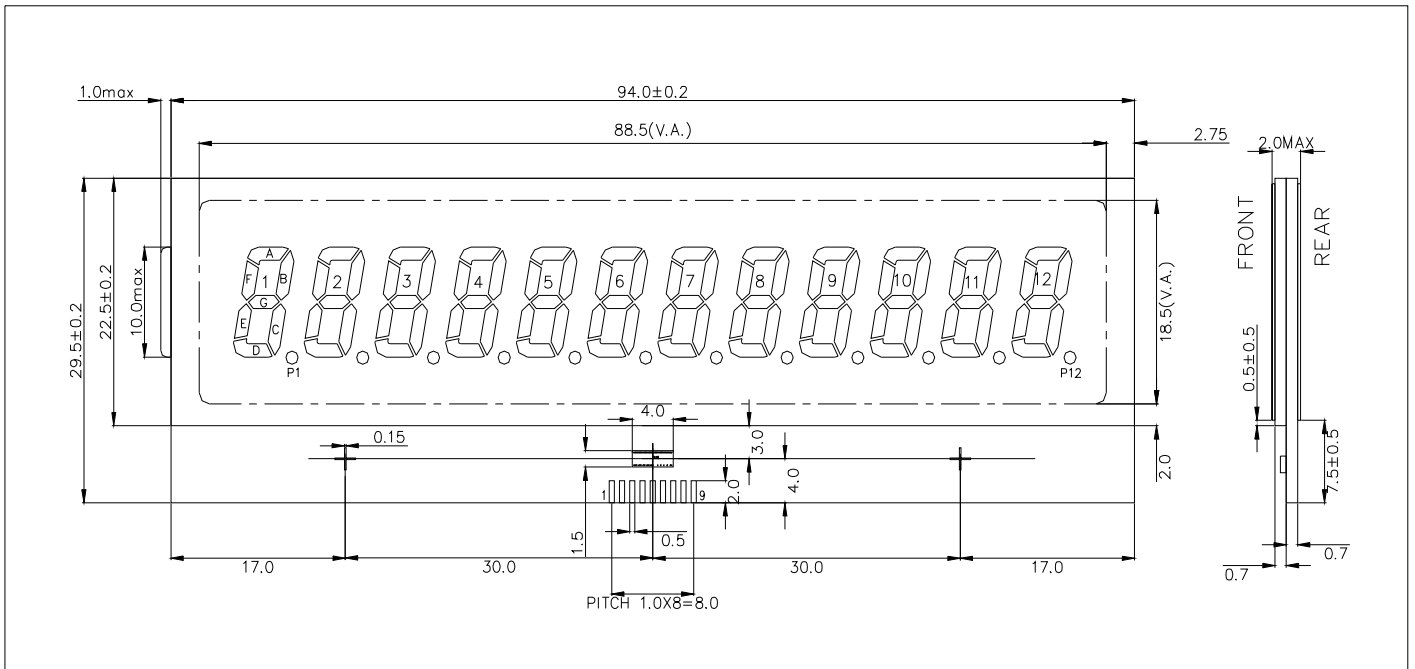
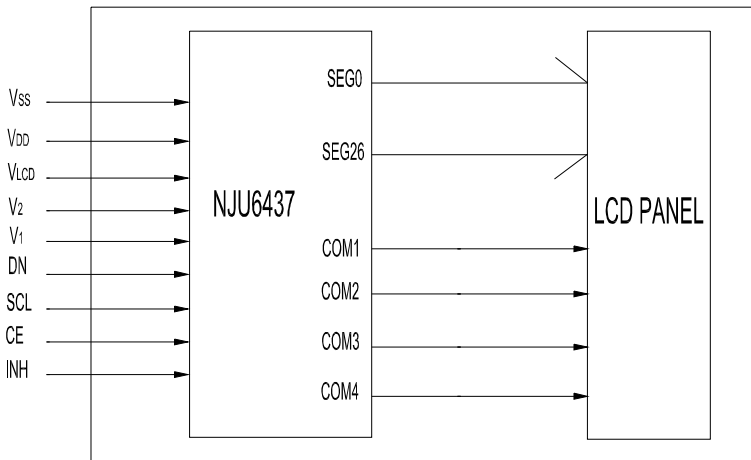


1.0 DIMENSIONAL DRAWING



2.0 BLOCK DIAGRAM



3.0 PIN ASSIGNMENT

Pin no.	Symbol	Function
1	V _{SS}	Power supply (GND)
2	V _{DD}	Power supply (+)
3	V _O	Power supply for LCD driving
4	V2	Contrast adjust
5	V1	Contrast adjust
6	DN	Serial data input terminal
7	SCL	Serial data transmission terminal
8	CE	Enable signal
9	INH	Display off control terminal

4.0 ELECTRICAL CHARACTERISTICS Ta=25 °C V_{DD}=3.0V±0.25V

Item	Symbol	Test Condition	Standard Value			
			Min.	Typ.	Max.	Unit
Power Supply Voltage	V _{DD} -V _{SS}	25°C	2.75	3.0	3.25	V
LCD Operation Voltage	V _{OP}	25°C	TN	-	3.2	V
			STN	-	-	V
LCM Current Consumption	I _{DD}	25°C	-	2	3	mA
Backlight Forward Voltage	V _F		-	-	-	V

5.0 ABSOLUTE MAXIMUM RATINGS

Item	Symbol	Test Condition	Standard Value		
			Min.	Max.	Unit
Supply Voltage (Logic)	V _{DD} -V _{SS}	25°C	-0.3	7	V
Supply Voltage (LCD)	V _{DD} -V _O		-0.3	7	V
Input Voltage	V _{IN}		-0.3	V _{DD} +0.3	V
Operating Temp.	T _{OPR}	-	-20	70	°C
Storage Temp.	T _{STG}	-	-30	85	°C

Remark

1. LCD option: TN.

2. Customized module.