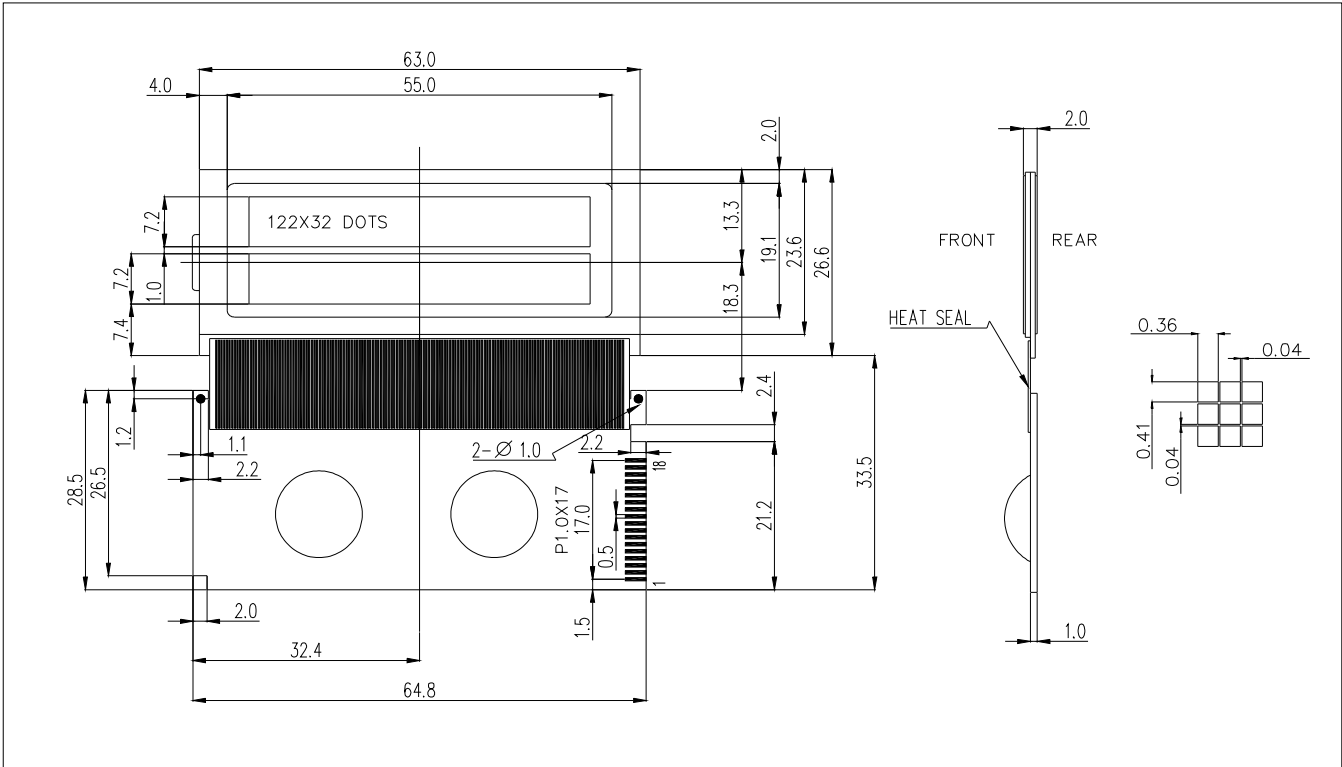
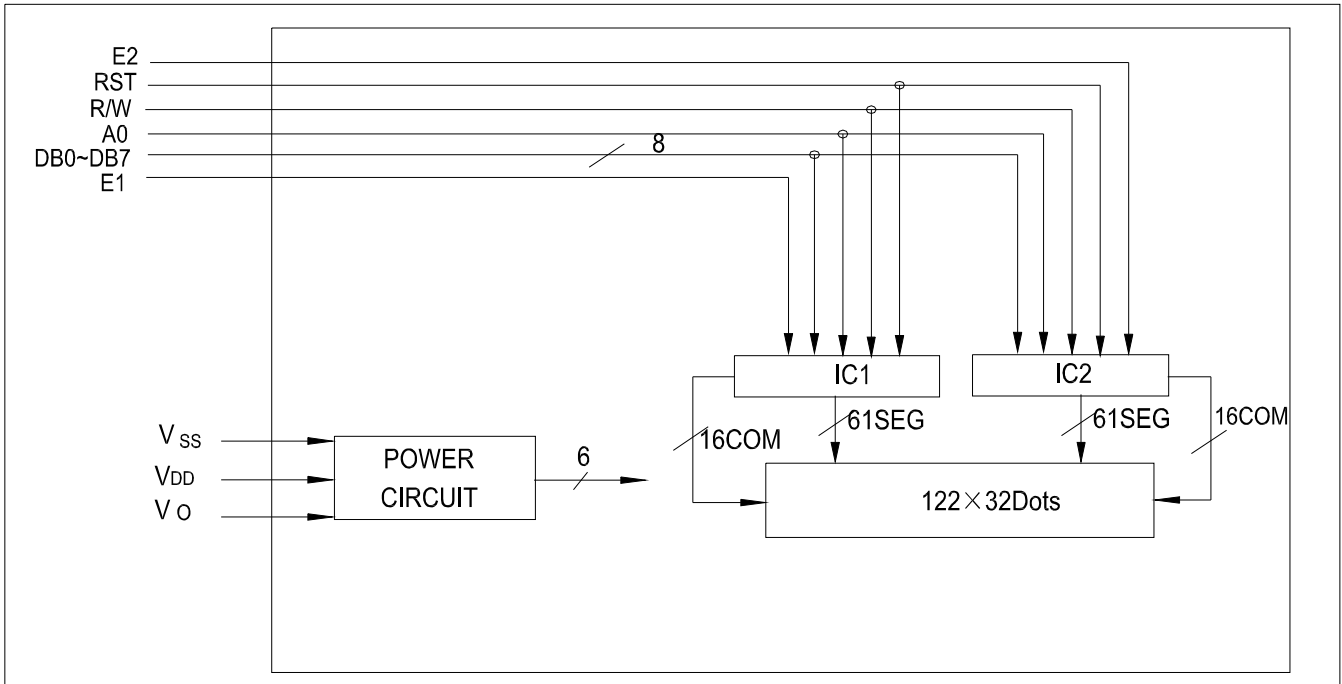


1.0 DIMENSIONAL DRAWING



2.0 BLOCK DIAGRAM



3.0 ELECTRICAL CHARACTERISTICS Ta=25 °C V_{DD}=5.0V±0.25V

Item	Symbol	Test Condition	Standard Value			Unit
			Min.	Typ.	Max.	
Power Supply Voltage	V _{DD} -V _{SS}	25°C	4.5	5.0	5.5	V
LCD Operation Voltage	V _{OP}		-	5.2	-	V
LCM Current Consumption	I _{DD}		-	2.0	3.0	mA
Backlight Forward Voltage	V _F		-	-	-	V

4.0 ABSOLUTE MAXIMUM RATINGS

Item	Symbol	Test Condition	Standard Value		
			Min.	Max.	Unit
Supply Voltage (Logic)	$V_{DD}-V_{SS}$	25°C	-0.3	7	V
Supply Voltage (LCD)	$V_{DD}-V_O$		-0.3	13.5	V
Input Voltage	V_{IN}		-0.3	$V_{DD}+0.3$	V
Operating Temp.	T_{OPR}	-	0	50	°C
Storage Temp.	T_{STG}	-	-20	70	°C

5.0 PIN ASSIGNMENT

PIN No.	Symbol	Description
1	V_{DD}	Power supply
2	GND	Power supply(GND)
3	V_O	Operating voltage for LCD
4	RST	Reset at rising edge
5	E1	Enable signal for IC1
6	E2	Enable signal for IC2
7	R/W	Read/Write selection H: Read; L: Write
8	A0	Register selection H: Display data; L: Instruction
9~16	DB0~DB7	Data bus
17	nc	No connection
18	nc	No connection

Remark

1. LCD option: STN, FSTN .
2. Standard module.
3. No Backlight.