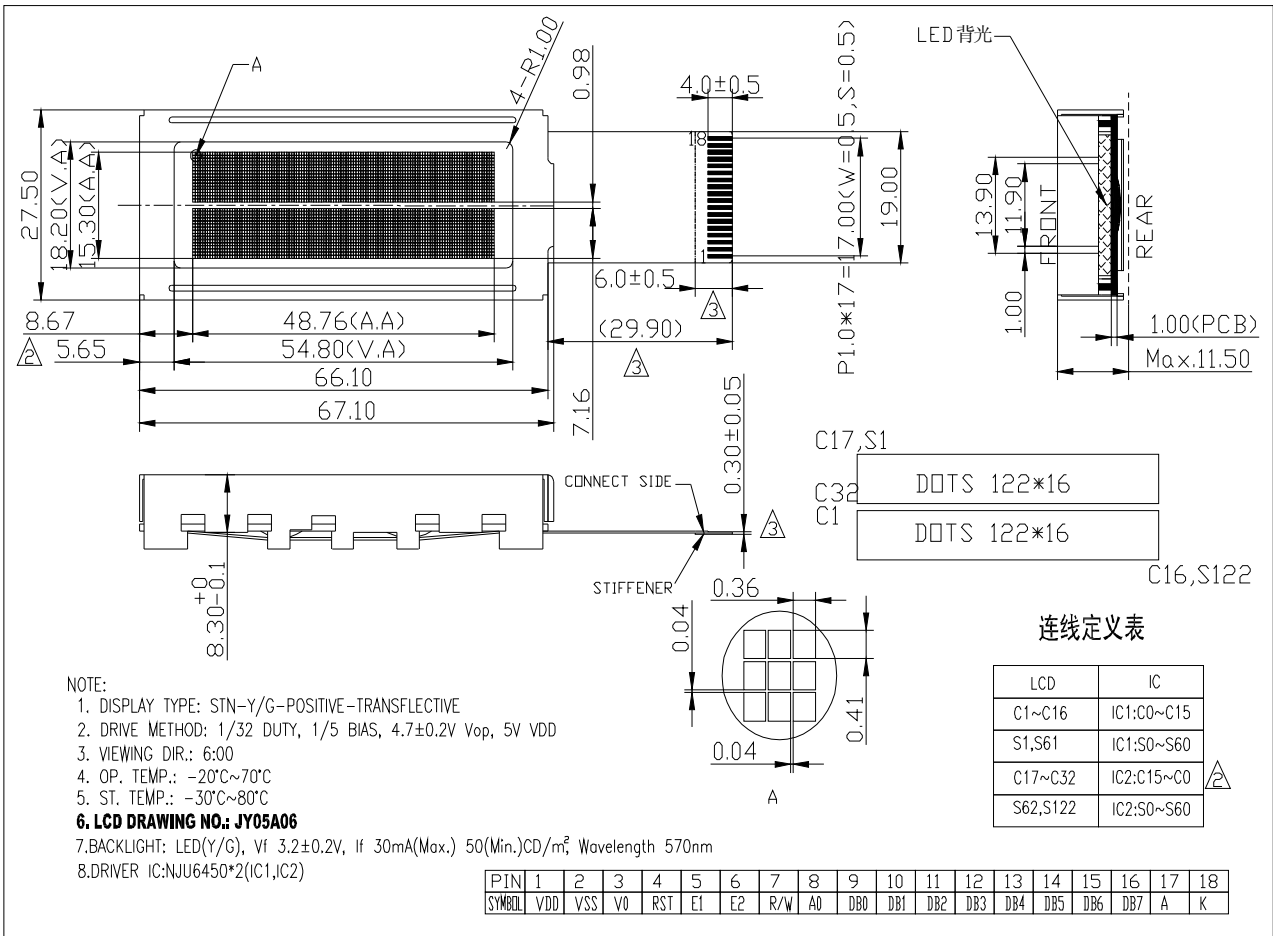
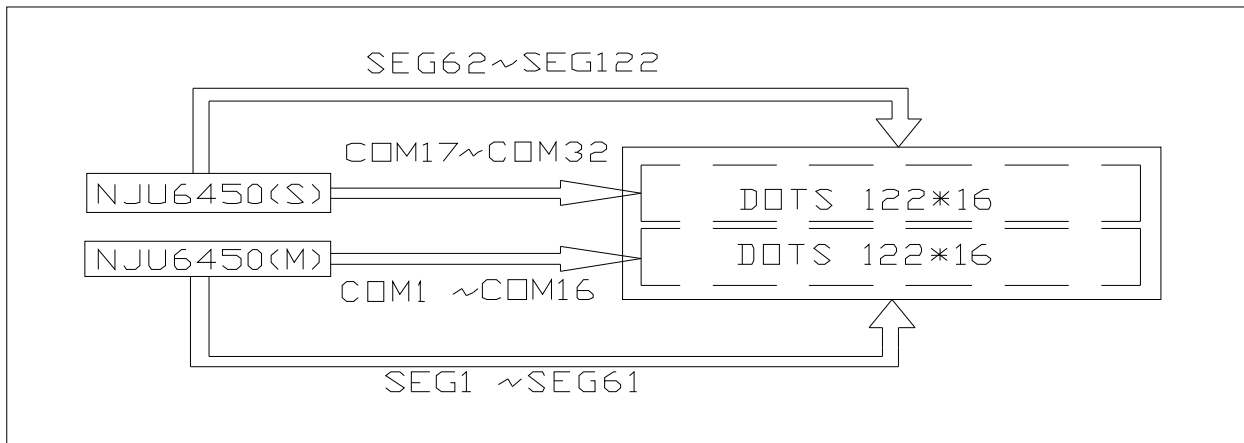


## 1.0 DIMENSIONAL DRAWING



## 2.0 BLOCK DIAGRAM



## 3.0 ELECTRICAL CHARACTERISTICS Ta=25 °C VDD=3.0V±0.25V

Item	Symbol	Test Condition	Standard Value			
			Min.	Typ.	Max.	Unit
Power Supply for Logic	VDD	25°C	4.8	5.0	5.2	V
LCD Operation Voltage	Vop.	25°C	4.8	5.0	5.2	V
LCM Current Consumption	Idd	25°C	-	-	1.6	mA

## 4.0 ABSOLUTE MAXIMUM RATINGS

Item	Symbol	Standard Value		
		Min.	Max.	Unit
Power Supply for Logic	VDD	-0.3	7.0	V
LCD Operation Voltage	Vo.	VDD-13.5	Vdd+0.3	V
Input Voltage	Vin	-0.3	Vdd+0.3	V
Operating Temp	Top.	-20	70	°C
Storage Temp	Tst.	-30	80	°C

## 5.0 PIN ASSIGNMENT

Pin No.	Symbol	Description
1	VDD	POWER SUPPLY
2	VSS	GND
3	V0	SUPPLY VOLTAGE FOR LCD DRIVING
4	RST	L: RESET
5	E1	MASTER CHIP: H=ENABLE READ & WRITE
6	E2	SLAVE CHIP; H=ENABLE READ & WRITE
7	R/W	68CPU H=READ,L=WRITE
8	A0	H=DISPLAY DATA;L=INSTRUCTION
9-16	DB0-DB7	DATA LINES
17	A	POWER SUPPLY FOR LED(+5V)
18	K	POWER SUPPLY FOR LED(0V)

### Remark

1. LCD option: STN, FSTN .
2. Customized module.
3. Backlight option: EL backlight feature, other specs not available on catalog is under request.