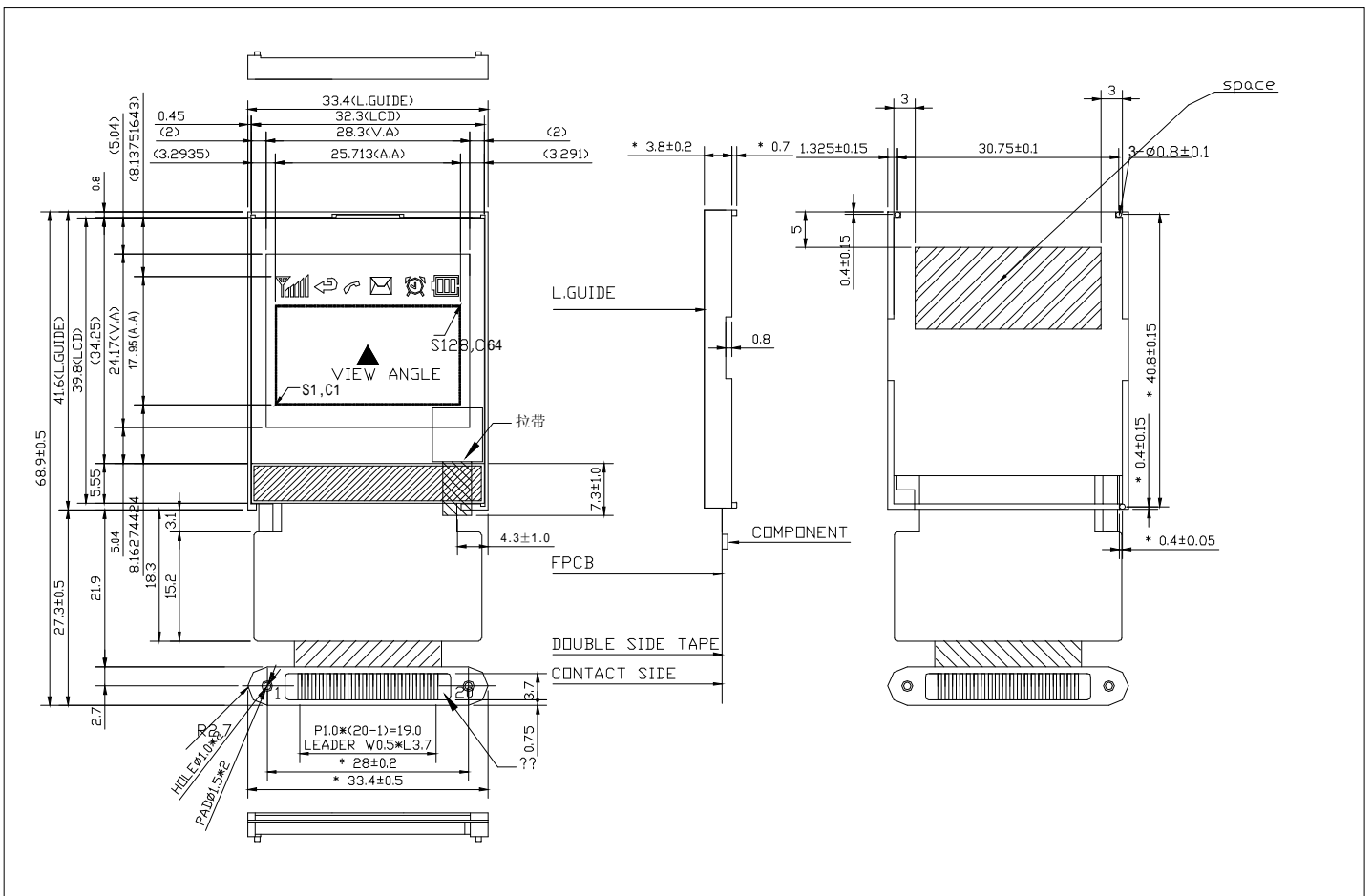
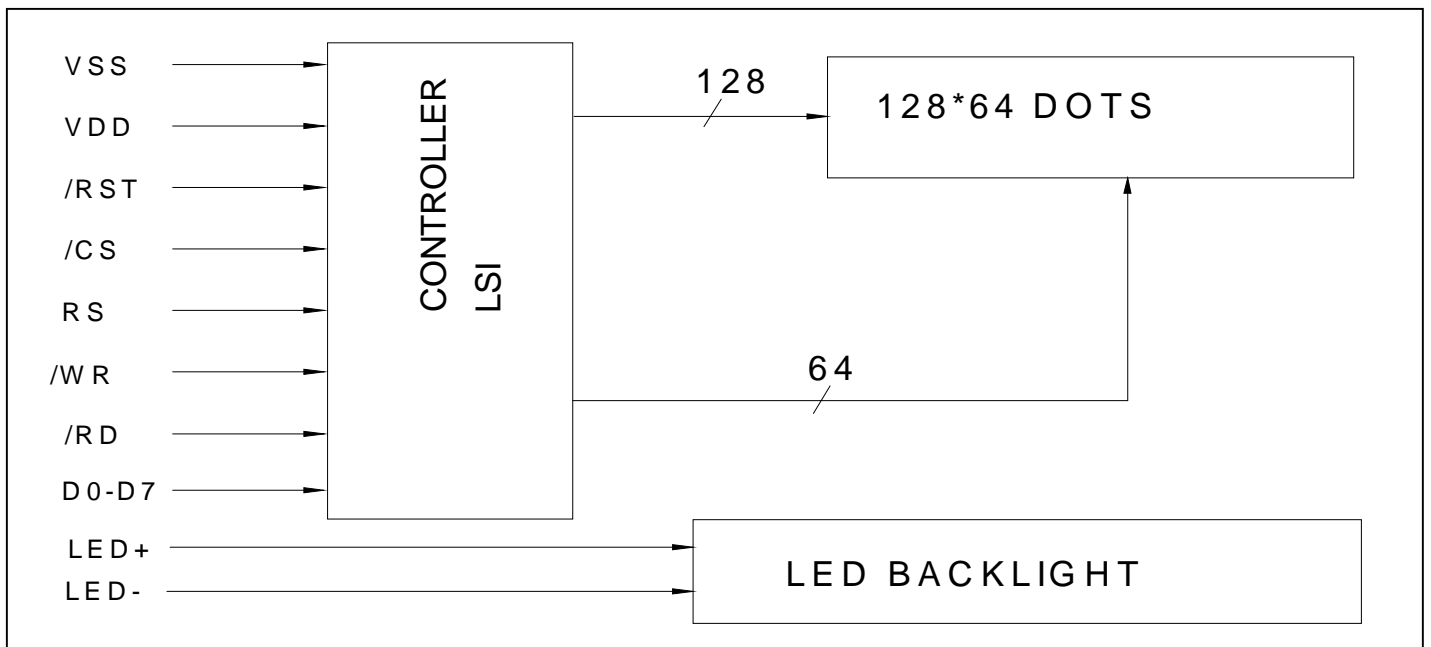


1.0 DIMENSIONAL DRAWING



2.0 BLOCK DIAGRAM



3.0 ELECTRICAL CHARACTERISTICS (VSS = 0 V, VDD = 3.0 V ± 10%)

Item	Symbol	Test Condition	Standard Value			Unit
			Min.	Typ.	Max.	
Supply Voltage(Logic)	V _{DD}	25°C	--	2.775	--	V
LCD Operation Voltage	V _{OP}	25°C(FSTN)	--	10.0	--	V
LCM Curren Consumption	I _{DD}	25°C	--	--	1.0	mA
EL Backlight Voltage	V _F	25°C	3.3	3.5	3.7	V

4.0 ABSOLUTE MAXIMUM RATINGS

Item	Symbol	Test Condition	Standard Value		
			Min.	Max.	Unit
Supply Voltage (Logic)	$V_{DD}-V_{SS}$	25°C	-0.3	4.0	V
Supply Voltage (LCD)	$V_{DD}-V_O$		0.3	18.0	V
Input Voltage	V_{IN}		-0.3	VDD+0.3	V
Operating Temp.	T_{OPR}		-20	70	°C
Storage Temp.	T_{STG}		-30	80	°C

5.PIN ASSIGNMENT

PIN NO.	Symbol	Description
1	GND	Ground
2	LED(+)	Backlight power supply positive input
3	LED(-)	Backlight power supply negative input
4	/CS	Chip select input
5	/RST	Reset signal input terminal
6	RS	Register select signal
7	/WR	Data Write
8	/RD-	Data Read
9~16	D0~D7	Data Bus Line
17	GND	Ground
18	IO_2.775V	+2.775V
19	IO_2.775V	+2.775V
20	GND	Ground

Remark:

1. LCD option: TN,STN, FSTN .
2. Customized module.