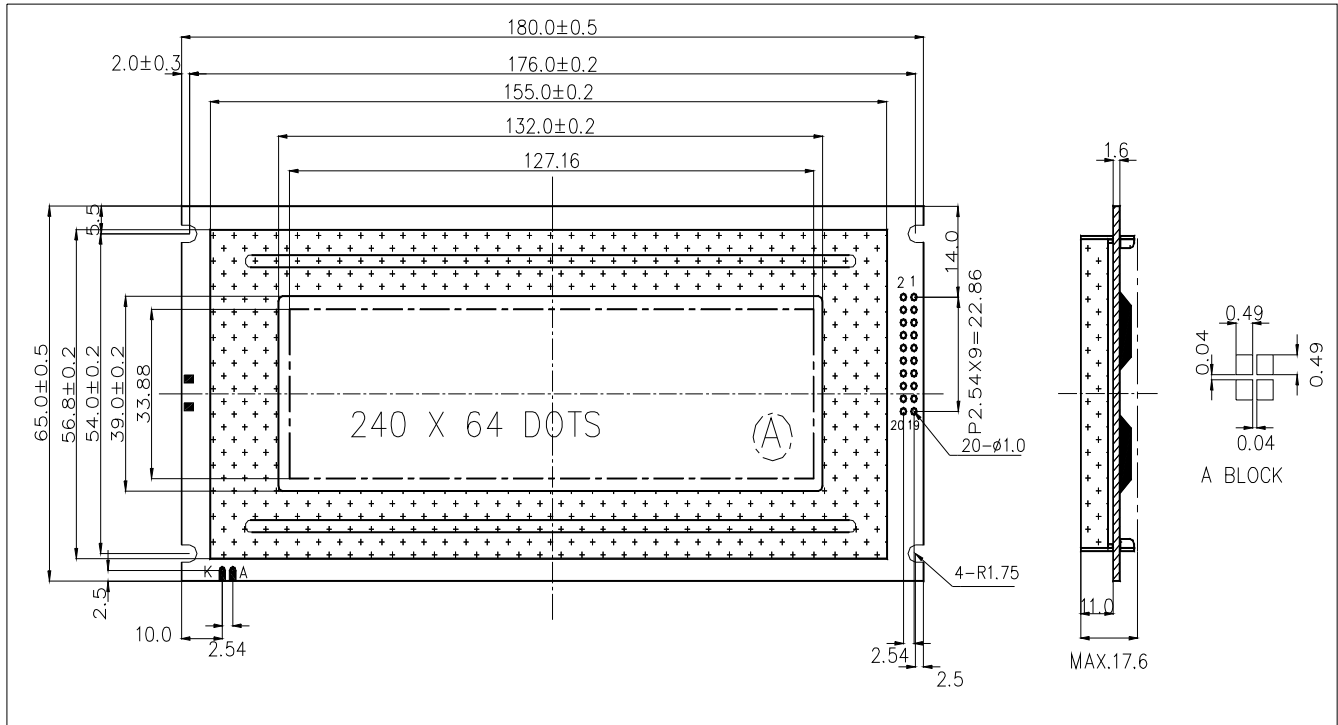




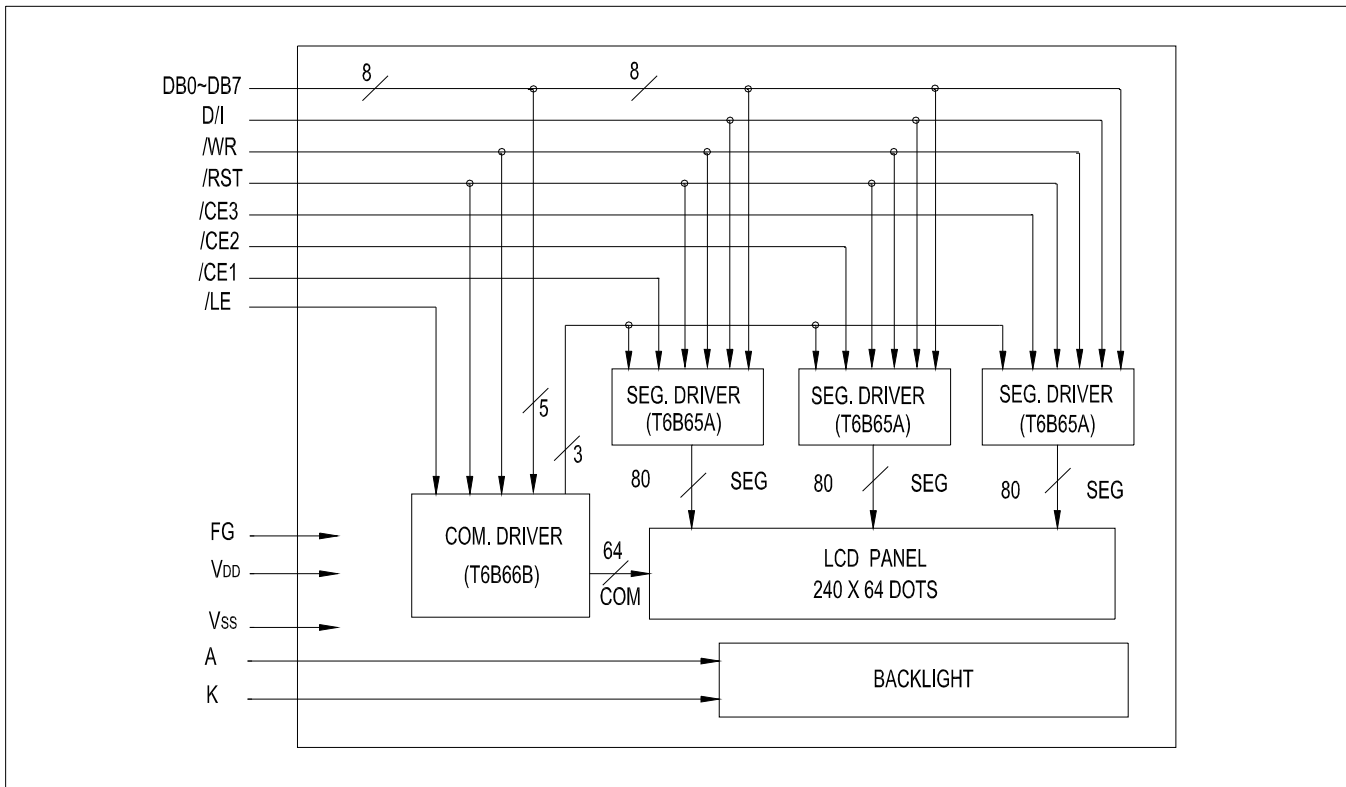
JYG-2406406C-VA

1/64 DUTY, 1/9 BIAS
240x64 DOTS

1.0 DIMENSIONAL DRAWING



2.0 BLOCK DIAGRAM



3.0 ELECTRICAL CHARACTERISTICS Ta=25 °C V_{DD}=5.0V±0.25V

Item	Symbol	Test Condition	Standard Value			
			Min.	Typ.	Max.	Unit
Power Supply Voltage	V _{DD} -V _{SS}	25°C	4.5	5.0	5.5	V
LCD Operation Voltage	V _{OP}		-	12.6	-	V
LCM Current Consumption	I _{DD}		-	12.0	20.0	mA
Backlight Forward Voltage	V _F		-	4.2	-	V

4.0 ABSOLUTE MAXIMUM RATINGS

Item	Symbol	Test Condition	Standard Value		
			Min.	Max.	Unit
Supply Voltage (Logic)	$V_{DD}-V_{SS}$	25°C	-0.3	7.0	V
Supply Voltage (LCD)	$V_{DD}-V_O$		-0.3	17.5	V
Input Voltage	V_{IN}		-0.3	$V_{DD}+0.3$	V
Operating Temp.	T_{OPR}	-	0	50	°C
Storage Temp.	T_{STG}	-	-20	70	°C

5.0 PIN ASSIGNMENT

PIN No.	Symbol	Description
1	FG	Frame Ground
2	GND	Power supply(GND)
3	V_{DD}	Power supply
4	/DI	Data/Instruction select
5	— WR	Data write
6	/LE	COM driver latch enable
7	/CE1	SEG driver 1 Chip Enable
8	/CE2	SEG driver 2 Chip Enable
9	/CE3	SEG driver 3 Chip Enable
10	/RST	Reset signal
11~18	DB0~DB7	Data bus
19	NC	No connection
20	NC	No connection
21	LEDK	LED Back-light
22	LEDA	LED Back-light

Remark

1. LCD option: STN, FSTN .
2. Standard module.
3. Backlight option: LED EL backlight feature, other specs not available on catalog is under request.