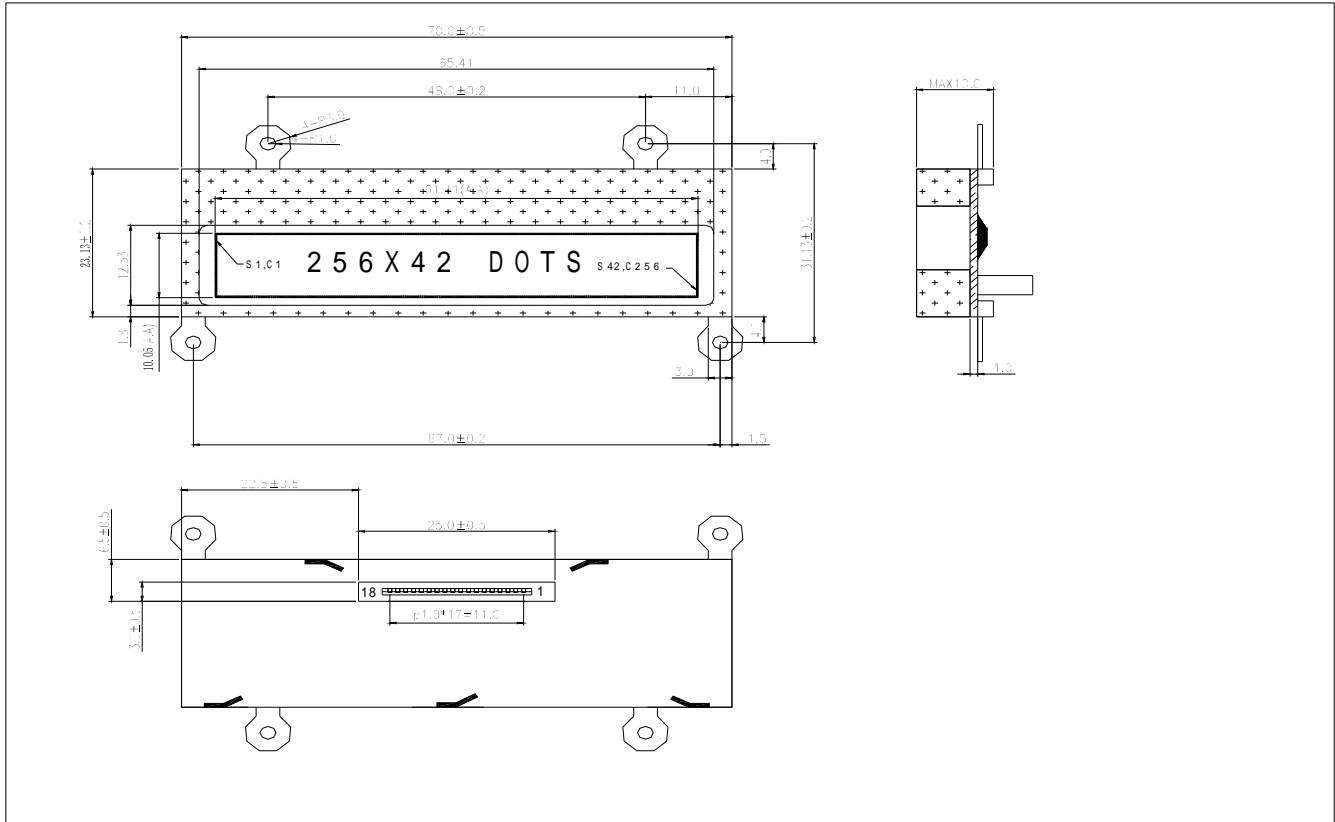
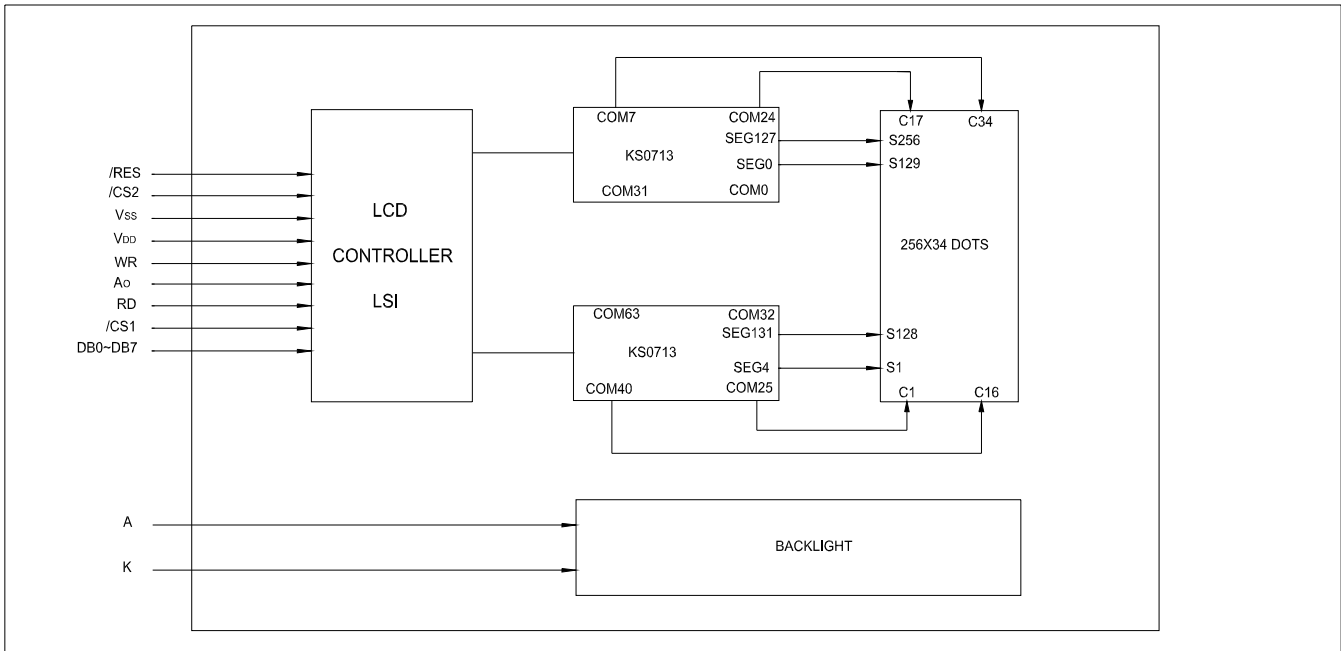


## 1.0 DIMENSIONAL DRAWING



## 2.0 BLOCK DIAGRAM



## 3.0 ELECTRICAL CHARACTERISTICS Ta=25 °C V<sub>DD</sub>=5.0V±0.25V

Item	Symbol	Test Condition	Standard Value			Unit
			Min.	Typ.	Max.	
Power Supply Voltage	V <sub>DD</sub> -V <sub>SS</sub>	25°C	-	3.3	-	V
LCD Operation Voltage	V <sub>OP</sub>		-	8.0	-	V
LCM Current Consumption	I <sub>BD</sub>		-			mA
Backlight Forward Voltage	V <sub>F</sub>		-	3.3		V

#### 4.0 ABSOLUTE MAXIMUM RATINGS

Item	Symbol	Test Condition	Standard Value		
			Min.	Max.	Unit
Supply Voltage (Logic)	$V_{DD}-V_{SS}$	25°C	-0.3	7	V
Supply Voltage (LCD)	$V_{DD}-V_{O}$		-0.3	17	V
Input Voltage	$V_{IN}$		-0.3	$V_{DD}+0.3$	V
Operating Temp.	$T_{OPR}$	-	0	50	°C
Storage Temp.	$T_{STG}$	-	-10	60	°C

#### 5.0 PIN ASSIGNMENT

PIN No.	Symbol	Description
1-8	D0-D7	Data bus
9	/CS1	Chip 1 select Active low
10	RD	Read mode
11	A0	H: Data signal L: Instruction signal
12	WR	Write mode
13	VDD	Recommend +3.3V
14	VSS	GND
15	/CS2	Chip 2 select Active low Chi
16	/RES	Reset signal
17	LED-	Ground
18	LED+	+3.3V

**Remark**

1. LCD option: STN, FSTN .
2. Customized module.
3. Backlight option: LED backlight feature, other specs not available on catalog is under request.