

# HITACHI

KAOHSIUNG HITACHI  
ELECTRONICS CO.,LTD  
P.O. BOX 26-27  
2,13TH EAST ST. K.E.P.Z.  
KAOHSIUNG TAIWAN R.O.C.  
TEL:(07) 821-5811 ( 7 LINE)  
FAX:(07) 821-5815

FOR MESSRS. \_\_\_\_\_

DATE. Mar.06,2009

## CUSTOMER'S ACCEPTANCE SPECIFICATIONS

### SP14Q002-C1

#### C O N T E N T S

No.	ITEM	SHEET No.	PAGE
1	COVER	7B64PS 2701- SP14Q002-C1-9	1-1/1
2	RECORD OF REVISION	7B64PS 2702- SP14Q002-C1-9	2-1/4~4/4
3	GENERAL SPECIFICATION	7B64PS 2703- SP14Q002-C1-9	3-1/1
4	ABSOLUTE MAXIMUM RATINGS	7B64PS 2704- SP14Q002-C1-9	4-1/1
5	ELECTRICAL CHARACTERISTICS	7B64PS 2705- SP14Q002-C1-9	5-1/2~2/2
6	OPTICAL CHARACTERISTICS	7B64PS 2706- SP14Q002-C1-9	6-1/2~2/2
7	BLOCK DIAGRAM	7B64PS 2707- SP14Q002-C1-9	7-1/1
8	INTERFACE TIMING	7B64PS 2708- SP14Q002-C1-9	8-1/3~3/3
9	OUTLINE DIMENSIONS	7B63PS 2709- SP14Q002-C1-9 7B64PS 2709- SP14Q002-C1-9	9-1/2 9-2/2
10	QUALITY STANDARD	7B64PS 2710- SP14Q002-C1-9	10-1/3~3/3
11	PRECAUTION IN DESIGN	7B64PS 2711- SP14Q002-C1-9	11-1/3~3/3
12	DESIGNATION OF LOT MARK	7B64PS 2712- SP14Q002-C1-9	12-1/1
13	PRECAUTION FOR USE	7B64PS 2713- SP14Q002-C1-9	13-1/1

\* When products will be discontinued , customers will be informed by HITACHI  
with twelve months prior announcement.

ACCEPTED BY; \_\_\_\_\_

PROPOSED BY; Dan Chung

KAOHSIUNG HITACHI ELECTRONICS CO.,LTD.	Sh. No.	7B64PS 2701- SP14Q002-C1-9	PAGE	1-1/1
---	------------	----------------------------	------	-------

## RECORD OF REVISION

DATE	SHEET No.	SUMMARY																																
Mar.29.02'	7B64PS-2704-SP14Q002-C1-2 PAGE 4-1/1	<p>4.2 ENVIRONMENTAL ABSOLUTE MAXIMUM RATINGS</p> <table border="1" style="margin-left: auto; margin-right: auto;"> <thead> <tr> <th rowspan="2">ITEM</th> <th colspan="2">OPERATING</th> <th colspan="2">STORAGE</th> </tr> <tr> <th>MIN.</th> <th>MAX.</th> <th>MIN.</th> <th>MAX.</th> </tr> </thead> <tbody> <tr> <td>Ambient Temperature</td> <td>0°C</td> <td>50°C Note 5</td> <td>-20°C</td> <td>60°C</td> </tr> </tbody> </table> <p style="text-align: center;">↓ Revised</p> <table border="1" style="margin-left: auto; margin-right: auto;"> <thead> <tr> <th rowspan="2">ITEM</th> <th colspan="2">OPERATING</th> <th colspan="2">STORAGE</th> </tr> <tr> <th>MIN</th> <th>MAX</th> <th>MIN</th> <th>MAX</th> </tr> </thead> <tbody> <tr> <td>Ambient Temperature</td> <td>-20°C</td> <td>70°C Note 5</td> <td>-30°C</td> <td>80°C</td> </tr> </tbody> </table> <p>Note 2 Ta at 0°C &lt; 48h, at 60°C &lt; 168h. ↓ Revised Note 2 Ta at -30°C &lt; 48h, at 80°C &lt; 168h.</p>	ITEM	OPERATING		STORAGE		MIN.	MAX.	MIN.	MAX.	Ambient Temperature	0°C	50°C Note 5	-20°C	60°C	ITEM	OPERATING		STORAGE		MIN	MAX	MIN	MAX	Ambient Temperature	-20°C	70°C Note 5	-30°C	80°C				
ITEM	OPERATING			STORAGE																														
	MIN.	MAX.	MIN.	MAX.																														
Ambient Temperature	0°C	50°C Note 5	-20°C	60°C																														
ITEM	OPERATING		STORAGE																															
	MIN	MAX	MIN	MAX																														
Ambient Temperature	-20°C	70°C Note 5	-30°C	80°C																														
Apl.19.02'	<p>7B64PS-2704-SP14Q002-C1-3 PAGE 4-1/1</p> <p>7B64PS-2704-SP14Q002-C1-3 PAGE 5-1/1</p>	<p>4.2 ENVIRONMENTAL ABSOLUTE MAXIMUM RATINGS Added: Note 6 Operation temp not include CFL lamp.</p> <p>5.1 ELECTRICAL CHARACTERISTICS</p> <table border="1" style="margin-left: auto; margin-right: auto;"> <thead> <tr> <th>ITEM</th> <th>SYMBOL</th> <th>CONDITION</th> <th>TYP.</th> <th>UNIT</th> </tr> </thead> <tbody> <tr> <td rowspan="3">Recommended LC Driving Voltage Note 3</td> <td rowspan="3">VDD-V0</td> <td>Ta=0°C , ϕ=0°</td> <td>22.0</td> <td>V</td> </tr> <tr> <td>Ta=25°C , ϕ=0°</td> <td>21.0</td> <td>V</td> </tr> <tr> <td>Ta=50°C , ϕ=0°</td> <td>20.0</td> <td>V</td> </tr> </tbody> </table> <p style="text-align: center;">↓ Revised</p> <table border="1" style="margin-left: auto; margin-right: auto;"> <thead> <tr> <th>ITEM</th> <th>SYMBOL</th> <th>CONDITION</th> <th>TYP.</th> <th>UNIT</th> </tr> </thead> <tbody> <tr> <td rowspan="3">Recommended LC Driving Voltage Note 3</td> <td rowspan="3">VDD-V0</td> <td>Ta=0°C , ϕ=0°</td> <td>(25.0)</td> <td>V</td> </tr> <tr> <td>Ta=25°C , ϕ=0°</td> <td>(24.0)</td> <td>V</td> </tr> <tr> <td>Ta=50°C , ϕ=0°</td> <td>(23.0)</td> <td>V</td> </tr> </tbody> </table> <p>5.2 ELECTRICAL CHARACTERISTICS OF BACKLIGHT Added: Note : The half operating life time of backlight. CFL:50,000h(Average)</p>	ITEM	SYMBOL	CONDITION	TYP.	UNIT	Recommended LC Driving Voltage Note 3	VDD-V0	Ta=0°C , ϕ=0°	22.0	V	Ta=25°C , ϕ=0°	21.0	V	Ta=50°C , ϕ=0°	20.0	V	ITEM	SYMBOL	CONDITION	TYP.	UNIT	Recommended LC Driving Voltage Note 3	VDD-V0	Ta=0°C , ϕ=0°	(25.0)	V	Ta=25°C , ϕ=0°	(24.0)	V	Ta=50°C , ϕ=0°	(23.0)	V
ITEM	SYMBOL	CONDITION	TYP.	UNIT																														
Recommended LC Driving Voltage Note 3	VDD-V0	Ta=0°C , ϕ=0°	22.0	V																														
		Ta=25°C , ϕ=0°	21.0	V																														
		Ta=50°C , ϕ=0°	20.0	V																														
ITEM	SYMBOL	CONDITION	TYP.	UNIT																														
Recommended LC Driving Voltage Note 3	VDD-V0	Ta=0°C , ϕ=0°	(25.0)	V																														
		Ta=25°C , ϕ=0°	(24.0)	V																														
		Ta=50°C , ϕ=0°	(23.0)	V																														
7B64PS 2706-SP14Q002-C1-3 PAGE 6-1/2	6.1 OPTICAL CHARACTERISTICS Response(rise) tr:120 → (336) Response(fall) tf:150 → (148)																																	

## RECORD OF REVISION

DATE	SHEET No.	SUMMARY																																				
Jul.11,'02	7B64PS-2703-SP14Q002-C1-4 PAGE 3-1/1	(10) BACK LIGHT Added : The half brightness life time of backlight CFL : 50,000h(average)																																				
	7B64PS-2704-SP14Q002-C1-4 PAGE 4-1/1	<p>4.2 ENVIRONMENTAL ABSOLUTE MAXIMUM RATINGS</p> <table border="1" style="width: 100%; border-collapse: collapse; margin-bottom: 10px;"> <thead> <tr> <th rowspan="2">ITEM</th> <th colspan="2">OPERATING</th> <th colspan="2">STORAGE</th> </tr> <tr> <th>MIN.</th> <th>MAX.</th> <th>MIN.</th> <th>MAX.</th> </tr> </thead> <tbody> <tr> <td>Ambient Temperature</td> <td>-20°C</td> <td>70°C <small>Note 5</small></td> <td>-30°C</td> <td>80°C</td> </tr> </tbody> </table> <p style="text-align: center;">↓ Revised</p> <table border="1" style="width: 100%; border-collapse: collapse; margin-bottom: 10px;"> <thead> <tr> <th rowspan="2">ITEM</th> <th colspan="2">OPERATING</th> <th colspan="2">STORAGE</th> </tr> <tr> <th>MIN.</th> <th>MAX.</th> <th>MIN.</th> <th>MAX.</th> </tr> </thead> <tbody> <tr> <td>Ambient Temperature</td> <td>0°C</td> <td>50°C <small>Note 5</small></td> <td>-20°C</td> <td>60°C</td> </tr> </tbody> </table> <p>Note 2 Ta at -30°C &lt; 48h, AT 80°C &lt; 168h ↓ Revised Note 2 Ta at 0°C &lt; 48h, AT 60°C &lt; 168h</p>	ITEM	OPERATING		STORAGE		MIN.	MAX.	MIN.	MAX.	Ambient Temperature	-20°C	70°C <small>Note 5</small>	-30°C	80°C	ITEM	OPERATING		STORAGE		MIN.	MAX.	MIN.	MAX.	Ambient Temperature	0°C	50°C <small>Note 5</small>	-20°C	60°C								
ITEM	OPERATING			STORAGE																																		
	MIN.	MAX.	MIN.	MAX.																																		
Ambient Temperature	-20°C	70°C <small>Note 5</small>	-30°C	80°C																																		
ITEM	OPERATING		STORAGE																																			
	MIN.	MAX.	MIN.	MAX.																																		
Ambient Temperature	0°C	50°C <small>Note 5</small>	-20°C	60°C																																		
7B64PS 2705-SP14Q002-C1-4 PAGE 5-1/1	7B64PS 2705-SP14Q002-C1-4 PAGE 5-1/1	<p>5.1 ELECTRICAL CHARACTERISTICS</p> <table border="1" style="width: 100%; border-collapse: collapse; margin-bottom: 10px;"> <thead> <tr> <th>ITEM</th> <th>SYMBOL</th> <th>CONDITION</th> <th>TYP.</th> <th>UNIT</th> </tr> </thead> <tbody> <tr> <td>Recommended LC</td> <td rowspan="3" style="text-align: center;">VDD-V0</td> <td>Ta=0°C ϕ=0°</td> <td>(25.0)</td> <td>V</td> </tr> <tr> <td>Driving Voltage</td> <td>Ta=25°C ϕ=0°</td> <td>(24.0)</td> <td>V</td> </tr> <tr> <td>Note 3</td> <td>Ta=50°C ϕ=0°</td> <td>(23.0)</td> <td>V</td> </tr> </tbody> </table> <p style="text-align: center;">↓ Revised</p> <table border="1" style="width: 100%; border-collapse: collapse; margin-bottom: 10px;"> <thead> <tr> <th>ITEM</th> <th>SYMBOL</th> <th>CONDITION</th> <th>TYP.</th> <th>UNIT</th> </tr> </thead> <tbody> <tr> <td>Recommended LC</td> <td rowspan="3" style="text-align: center;">VDD-V0</td> <td>Ta=0°C ϕ=0°</td> <td>22.0</td> <td>V</td> </tr> <tr> <td>Driving Voltage</td> <td>Ta=25°C ϕ=0°</td> <td>21.0</td> <td>V</td> </tr> <tr> <td>Note 3</td> <td>Ta=50°C ϕ=0°</td> <td>20.0</td> <td>V</td> </tr> </tbody> </table> <p>Note 4 VDD-V0=(24.0)V → (21.0)V</p>	ITEM	SYMBOL	CONDITION	TYP.	UNIT	Recommended LC	VDD-V0	Ta=0°C ϕ=0°	(25.0)	V	Driving Voltage	Ta=25°C ϕ=0°	(24.0)	V	Note 3	Ta=50°C ϕ=0°	(23.0)	V	ITEM	SYMBOL	CONDITION	TYP.	UNIT	Recommended LC	VDD-V0	Ta=0°C ϕ=0°	22.0	V	Driving Voltage	Ta=25°C ϕ=0°	21.0	V	Note 3	Ta=50°C ϕ=0°	20.0	V
		ITEM	SYMBOL	CONDITION	TYP.	UNIT																																
Recommended LC	VDD-V0	Ta=0°C ϕ=0°	(25.0)	V																																		
Driving Voltage		Ta=25°C ϕ=0°	(24.0)	V																																		
Note 3		Ta=50°C ϕ=0°	(23.0)	V																																		
ITEM	SYMBOL	CONDITION	TYP.	UNIT																																		
Recommended LC	VDD-V0	Ta=0°C ϕ=0°	22.0	V																																		
Driving Voltage		Ta=25°C ϕ=0°	21.0	V																																		
Note 3		Ta=50°C ϕ=0°	20.0	V																																		
		<p>5.2 ELECTRICAL CHARACTERISTICS OF BACKLIGHT</p> <p>Starting discharge voltage min. (1000) → 1000</p> <p>Deleted : Note The half brightness life time of backlight. CFL : 50,000h(average)</p>																																				

## RECORD OF REVISION

DATE	SHEET No.	SUMMARY																												
Jul.11,'02	7B64PS-2706-SP14Q002-C1-4 PAGE 6-1/2	6.1 OPTICAL CHARACTERISTICS Revised Response(rise) tr : (336) → 120 Response(fall) tf : (148) → 150																												
Jul.16,'02	7B64PS-2703-SP14Q002-C1-5 PAGE 3-1/1	(10).Back Light Type Cold cathode fluorescent lamp. The half brightness life time of backlight CFL : 50,000h(average) ↓ Revised Cold cathode fluorescent lamp. CFL life time : 50,000h(average) Note : CFL life time = life time for half of CFL brightness.																												
	7B64PS-2709-SP14Q002-C1-5 PAGE 9-1/2	9.1 DIMENSIONS OUTLINE Dimensions express revised																												
	7B64PS-2709-SP14Q002-C1-5 PAGE 9-2/2	9.3 INTERFACE PIN CONNECTION 1.LCM I/F1 Revised → LCM CN1 2.LCM CFL Revised → LCM CN2 I/F1																												
	7B64PS-2710-SP14Q002-C1-5 PAGE 10-1/3	10.2 DEFINITION OF EACH ZONE B zone : edge line of LCD glass ↓ Revised B zone : Window of Metal Frame																												
Jul.18,'02	7B64PS-2704-SP14Q002-C1-6 PAGE 4-1/1	4.2 ENVIRONMENTAL ABSOLUTE MAXIMUM RATINGS <table border="1" style="width: 100%; border-collapse: collapse; margin: 10px 0;"> <thead> <tr> <th rowspan="2">ITEM</th> <th colspan="2">OPERATING</th> <th colspan="2">STORAGE</th> </tr> <tr> <th>MIN.</th> <th>MAX.</th> <th>MIN.</th> <th>MAX.</th> </tr> </thead> <tbody> <tr> <td>Ambient Temperature</td> <td>0°C</td> <td>50°C</td> <td>-20°C</td> <td>60°C</td> </tr> </tbody> </table> <p style="text-align: center;">↓ Revised</p> <table border="1" style="width: 100%; border-collapse: collapse; margin: 10px 0;"> <thead> <tr> <th rowspan="2">ITEM</th> <th colspan="2">OPERATING</th> <th colspan="2">STORAGE</th> </tr> <tr> <th>MIN.</th> <th>MAX.</th> <th>MIN.</th> <th>MAX.</th> </tr> </thead> <tbody> <tr> <td>Ambient Temperature</td> <td>-20°C</td> <td>70°C</td> <td>-30°C</td> <td>80°C</td> </tr> </tbody> </table> <p>Note 2 Ta at -20°C &lt; 48h, at 60°C &lt; 168h. ↓ Revised Note 2 Ta at -30°C &lt; 48h, at 80°C &lt; 168h.</p>	ITEM	OPERATING		STORAGE		MIN.	MAX.	MIN.	MAX.	Ambient Temperature	0°C	50°C	-20°C	60°C	ITEM	OPERATING		STORAGE		MIN.	MAX.	MIN.	MAX.	Ambient Temperature	-20°C	70°C	-30°C	80°C
ITEM	OPERATING			STORAGE																										
	MIN.	MAX.	MIN.	MAX.																										
Ambient Temperature	0°C	50°C	-20°C	60°C																										
ITEM	OPERATING		STORAGE																											
	MIN.	MAX.	MIN.	MAX.																										
Ambient Temperature	-20°C	70°C	-30°C	80°C																										

## RECORD OF REVISION

DATE	SHEET No.	SUMMARY																					
Feb.25,'04	7B64PS-2706- SP14Q002-C1-7 PAGE 6-1/2	6.1 OPTICAL CHARACTERISTICS Revised Response Time (Rise) tr : 120 → 336 Response Time (Fall) tf : 150 → 148																					
	7B64PS-2708- SP14Q002-C1-7 PAGE 8-3/3	8.3 POWER ON/OFF TIMING SEQUENCE Revised tDLD : min. 200 → 50 tCH : max. 200 → 30																					
May.14,'04	7B64PS2705 SP14Q002-C1-8 PAGE 5-1/2	5.1 ELECTRICAL CHARACTERISTICS Added																					
		<table border="1" style="width: 100%; border-collapse: collapse;"> <thead> <tr> <th style="width: 30%;">ITEM</th> <th style="width: 15%;">SYMBOL</th> <th style="width: 10%;">MIN.</th> <th style="width: 10%;">TYP.</th> <th style="width: 10%;">MAX</th> </tr> </thead> <tbody> <tr> <td>Power Supply Voltage Logic</td> <td>VDD-VSS</td> <td>3.2</td> <td>3.3</td> <td>3.4</td> </tr> <tr> <td rowspan="3">Recommend LC Driving Voltage</td> <td rowspan="3">VDD-VO</td> <td>21.0</td> <td>22.0</td> <td>23.0</td> </tr> <tr> <td>20.0</td> <td>21.0</td> <td>22.0</td> </tr> <tr> <td>19.0</td> <td>20.0</td> <td>21.0</td> </tr> </tbody> </table>	ITEM	SYMBOL	MIN.	TYP.	MAX	Power Supply Voltage Logic	VDD-VSS	3.2	3.3	3.4	Recommend LC Driving Voltage	VDD-VO	21.0	22.0	23.0	20.0	21.0	22.0	19.0	20.0	21.0
		ITEM	SYMBOL	MIN.	TYP.	MAX																	
		Power Supply Voltage Logic	VDD-VSS	3.2	3.3	3.4																	
		Recommend LC Driving Voltage	VDD-VO	21.0	22.0	23.0																	
20.0	21.0			22.0																			
19.0	20.0			21.0																			
7B64PS2705 SP14Q002-C1-8 PAGE 5-2/2	5.2 ELECTRICAL CHARACTERISTICS OF BACKLIGHT Canceled Note 5:When ICFL is used over 5.5 mA ,it may cause uneven contrast near CFL location ,due to heart dispersion from CFL.																						
7B64PS 2706- SP14Q002-C1-8 PAGE 6-2/2	6.2 OPTICAL CHARACTERISTICS OF BACKLIGHT Added The LCD driving voltage should be adjusted at the voltage where the peak contrast is obtained.																						
7B64PS 2710- SP14Q002-C1-8 PAGE 10-1/3	10.1 APPEARANCE INSPECTION CONDITION Revised 45°→25°																						
Mar.06,'09	7B64PS2712 SP14Q002-C1-9 PAGE 12-1/1	12. DESIGNATION OF LOT MARK Revised reversion from REV. – to REV.B																					

### 3. GENERAL SPECIFICATIONS

(1) Part Name	SP14Q002-C1
(2) Module Size	167.0(W)mm×109.0(H)mm×10.0(D)mm(max.)
(3) Effective Display Area	120(W)mm min. × 89(H)mm min.
(4) Dot Size	0.345(W)min. × 0.345(H)min.
(5) Dot Pitch	0.360(W)mm × 0.360(H)mm
(6) Dot Number (Resolution)	320 (W) × 240 (H) dots
(7) Duty Ratio	1/240
(8) LCD Type	Transmissive type F-STN With glare type upper polarizer
(9) Viewing Direction	6 O'clock
(10) Back Light Type	Cold cathode fluorescent lamp. CFL life time : 50,000h(average) Note : CFL life time = life time for half of CFL brightness.

## 4. ABSOLUTE MAXIMUM RATINGS

### 4.1 ELECTRICAL ABSOLUTE MAXIMUM RATINGS

VSS=0V : STANDARD

ITEM	SYMBOL	MIN.	MAX.	UNIT	COMMENT
Power Supply for Logic	VDD-VSS	0	6.0	V	
Power Supply for LC Driving	VDD-VEE	0	27.5	V	
Input Signal Voltage	Vi	-0.3	VDD+0.3	V	Note 1
Input Signal Current	li	0	1	A	
Static Electricity	VESD0	-	±100	V	Note 2,3,4
	VESD1	-	±10	kV	Note 2,3,5

Note 1 : DISP.OFF , FRAME , LOAD , CP , D0~D3.

Note 2 : Make certain you are grounded when handling LCM.

Note 3 : Energy storage capacitance 200pF , discharge resistance 250Ω Ta=25℃ , 60%RH.

Note 4 : Contact discharge to I/F connector pins.

Note 5 : Contact discharge to front metal bezel.

### 4.2 ENVIRONMENTAL ABSOLUTE MAXIMUM RATINGS

ITEM	OPERATING		STORAGE		OMMNT
	MIN.	MAX.	MIN.	MAX.	
Ambient Temperature	-20℃	70℃	-30℃	80℃	Note 2,3,7
Humidity	Note 1		Note 1		Without Condensation
Vibration	-	2.45m/s <sup>2</sup> (0.25G)	-	11.76m/s <sup>2</sup> (1.2G) Note 5	Note 4 1h max.
Shock	-	29.4m/s <sup>2</sup> (3 G)	-	490.0m/s <sup>2</sup> (50 G) Note 5	X · Y · Z Directions
Corrosive Gas	Not Acceptable		Not Acceptable		

Note 1 Ta ≤ 40℃ : 85%RH max.

Ta > 40℃ : Absolute humidity must be lower than the humidity of 85%RH at 40℃

Note 2 Ta at -30℃ ----- < 48h , at 80℃ < 168h.

Note 3 Background color changes slightly depending on ambient temperature.

This phenomenon is reversible.

Note 4 5Hz~100Hz (Except resonance frequency)

Note 5 This module should be operated normally after finish the test.

Note 6 When LCM will be operated at 0℃ , the life time of CFL will be reduced.

Please make sure that characteristics of the inverter meet the CFL specification.

Note 7 Operation temp not include CFL

## 5. ELECTRICAL CHARACTERISTICS

### 5.1 ELECTRICAL CHARACTERISTICS

ITEM	SYMBOL	CONDITION	MIN.	TYP.	MAX.	UNIT
Power Supply Voltage for Logic	VDD-VSS	-	4.75	5.0	5.25	V
			3.2	3.3	3.4	
Power Supply Voltage for LC Driving	VEE-VSS	-	-23.1	-22.0	-20.9	V
Input Signal Voltage Note 1	Vi	H LEVEL	0.8VDD	-	VDD	V
		L LEVEL	0	-	0.2VDD	V
Power Supply Current for Logic Note 1	IDD	VDD-VSS=5.0V VEE-VSS= -22.0V	-	6.0	-	mA
Power Supply Current for LC Driving Note 2	IEE	VDD-VSS=5.0V VEE-VSS= -22.0V	-	5.0	-	mA
Recommended LC Driving Voltage Note 3	VDD-V0	Ta= 0°C , $\phi= 0^\circ$	21.0	22.0	23.0	V
		Ta=25°C , $\phi= 0^\circ$	20.0	21.0	22.0	V
		Ta=50°C , $\phi= 0^\circ$	19.0	20.0	21.0	V
FRAME Frequency Note 4	fFRAME	-	70	75	80	Hz

Note 1 DISP.OFF , FRAME , LOAD , CP , D0~D3.

Note 2 : FLM=75Hz , test pattern is all "Q".  
VDD-V0=21.0V , Ta=25°C

Note 3 : Recommended LC driving voltage may fluctuate about  $\pm 1.0V$  by each module.  
Test pattern is all "Q"

Note 4 : Please set the frame frequency so as to avoid flicker and rippling on the display.

### 5.2 ELECTRICAL CHARACTERISTICS OF BACKLIGHT

ITEM	SYMBOL	MIN.	TYP.	MAX.	UNIT	NOTE
Lamp Voltage	VL	-	(300)	-	Vrms	Ta=25°C
Frequency	fL	-	70	85	kHz	Ta=25°C
Lamp Current	IL	4	5	6	mArms	Ta=25°C
Starting Discharge Voltage	VS	1000	-	-	Vrms	Ta=25°C



Note 1 : Please make sure that your inverter is designed to meet the above specifications.

Note 2 :Starting discharge voltage is increased when LCM is operating at lower temperature , please check the characteristics of your inverter , so as to ensure discharge at low temperature.

Note 3 : Average life time of CFL will be decreased when LCM is operating at lower temperature.

Note 4 : Lower driving frequency of CFL inverter may cause mechanical noise of the backlight system .  
Before designing the inverter , please consider the driving frequency of noise.

KAOHSIUNG HITACHI ELECTRONICS CO.,LTD.	DATE	Mar.06,'09	Sh. No.	7B64PS 2705-SP14Q002-C1-9	PAGE	5-2/2
---	------	------------	------------	---------------------------	------	-------

# 6. OPTICAL CHARACTERISTICS

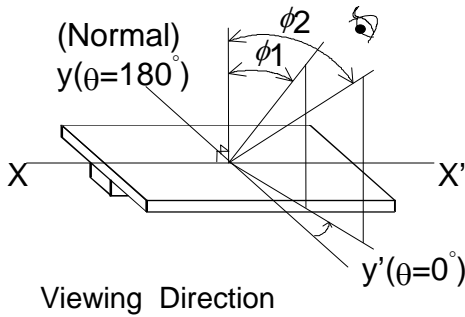
## 6.1 OPTICAL CHARACTERISTICS OF LCD

Ta=25°C (Backlight on)

ITEM	SYMBOL	CONDITIONAL	MIN.	TYP.	MAX.	UNIT	NOTE
Viewing Area	$\phi 2 - \phi 1$	$K \geq 2.0$	-	40	-	deg	1,2
Contrast Ratio	K	$\phi = 0^\circ, \theta = 0^\circ$	-	25	-	-	3
Response Time (Rise)	tr	$\phi = 0^\circ, \theta = 0^\circ$	-	336	-	ms	4
Response Time (Fall)	tf	$\phi = 0^\circ, \theta = 0^\circ$	-	148	-	ms	4

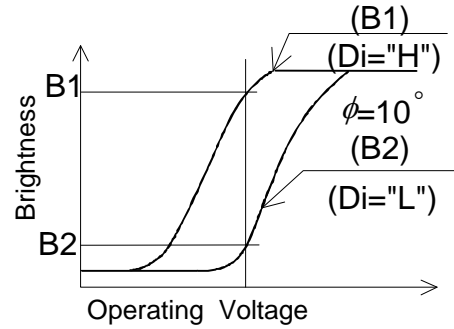
(Measure condition by HITACHI)

Note 1. Definition of  $\theta$  and  $\phi$

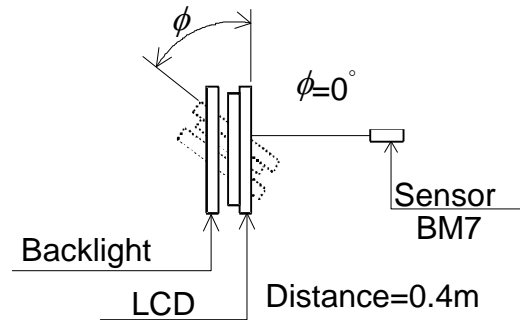
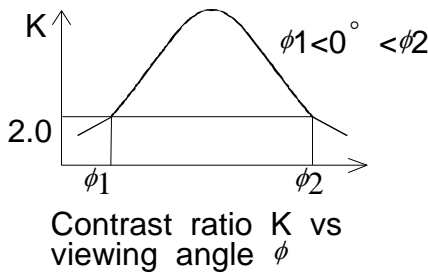


Note 3. Definition of contrast "K"

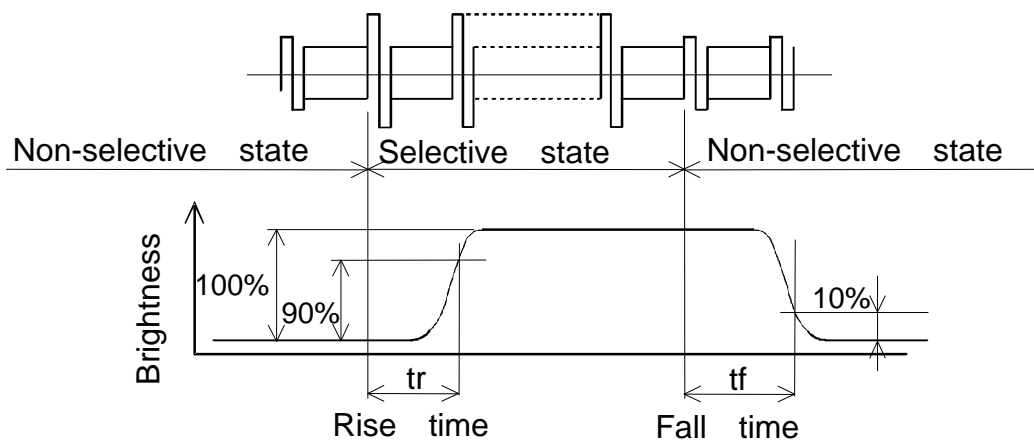
$$K = \frac{\text{Brightness on selected dot (B1)}}{\text{Brightness on non-selected dot (B2)}}$$



Note 2. Definition of viewing angle  $\phi 1$  and  $\phi 2$ .



Note 4. Definition of optical response



## 6.2 OPTICAL CHARACTERISTICS OF BACKLIGHT

I T E M	MIN.	TYP.	MAX.	UNIT	NOTE
Brightness	-	140	-	cd/m <sup>2</sup>	IL=5mA Note 1,2
Rise Time	-	5	-	minute	IL=5mA Brightness 80%
Brightness Uniformity	-	-	±30	%	Note 1,3

CFL : Initial, Ta=25°C

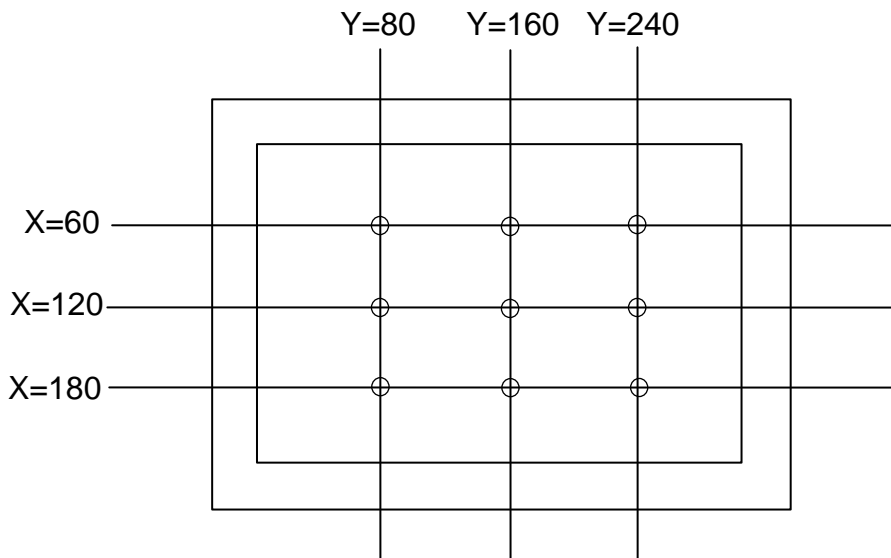
Display data should be all "ON".

The LCD driving voltage should be adjusted at the voltage where the peak contrast is obtained.

Note 1 Measurement after 10 minutes of CFL operating.

Note 2 Brightness control : 100%

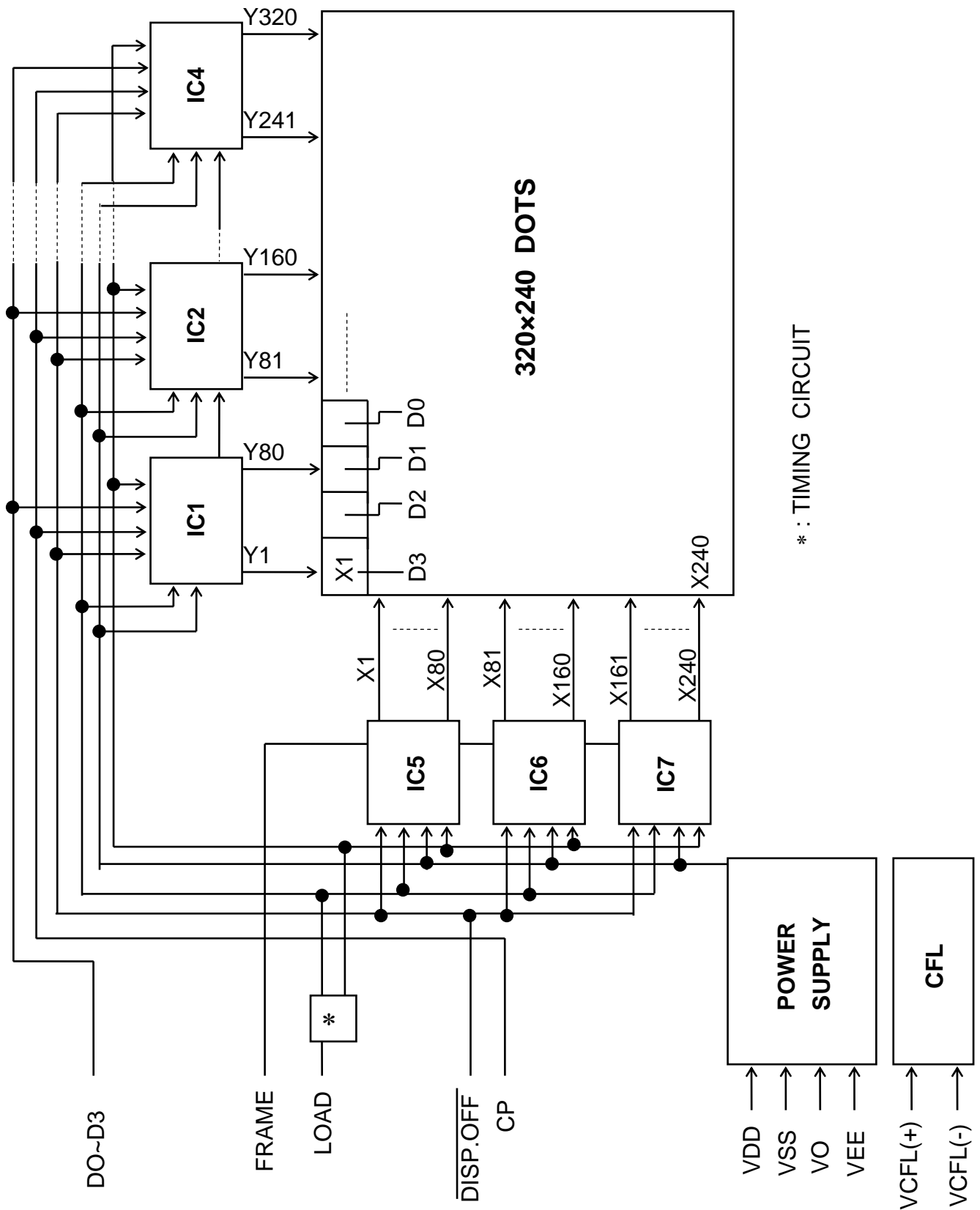
Note 3 Measure of the following 9 places on the display.



Definition of the brightness tolerance.

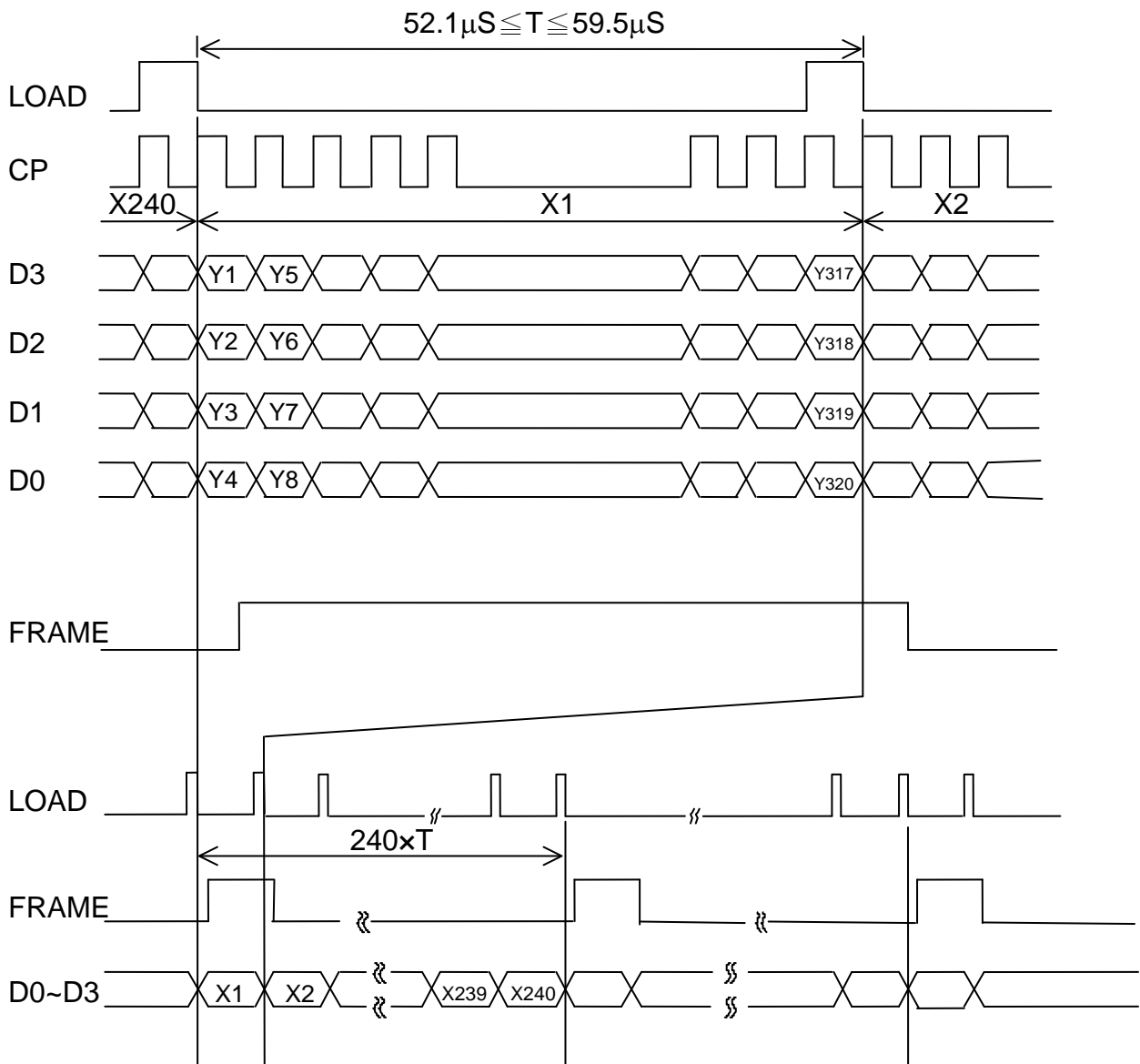
$$\left( \frac{\text{max. or min. Brightness} - \text{Average Brightness}}{\text{Average Brightness}} \right) \times 100\%$$

# 7. BLOCK DIAGRAM



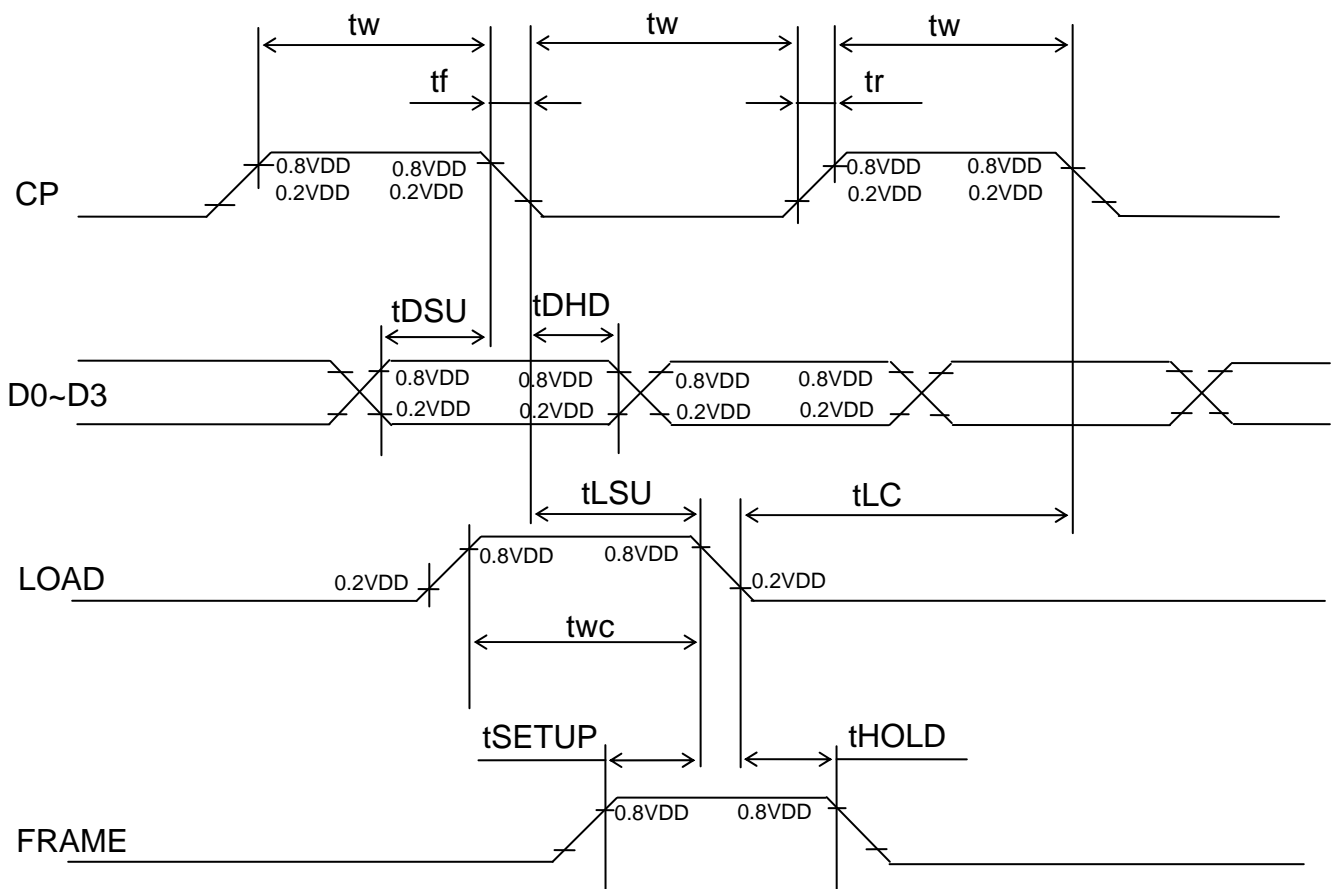
# 8. INTERFACE TIMING CHART

## 8.1 INTERFACE TIMING CHART

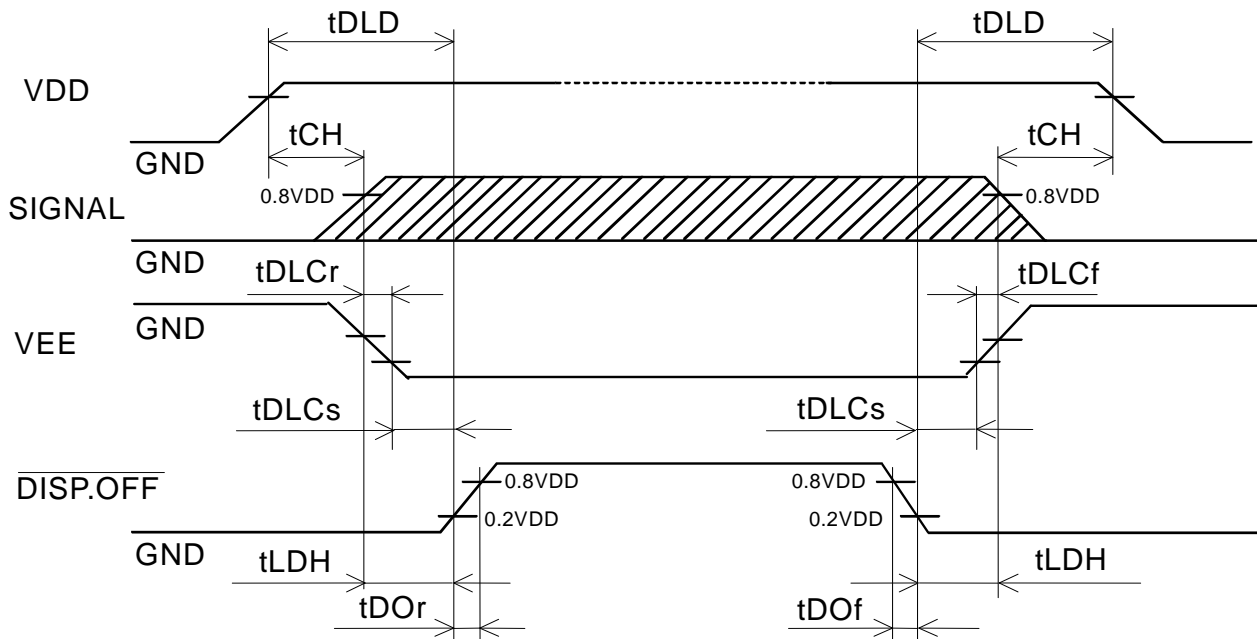


## 8.2 TIMING CHARACTERISTICS

ITEM	SYMBOL	MIN.	TYP.	MAX.	UMIT
Clock frequency	fCP	-	-	6.5	MHz
Clock pulse width	tW	45	-	-	ns
Clock rise, fall time	tr,tf	-	-	15	ns
Data set up time	tDSU	30	-	-	ns
Data hold time	tDHD	30	-	-	ns
Load set up time	tLSU	80	-	-	ns
Load clock time	tLC	120	-	-	ns
"FRAME" set up time	tSETUP	100	-	-	ns
"FRAME" hold time	tHOLD	100	-	-	ns
"LOAD" pulse width	tWC	125	-	-	ns



### 8.3 POWER ON/OFF TIMING SEQUENCE

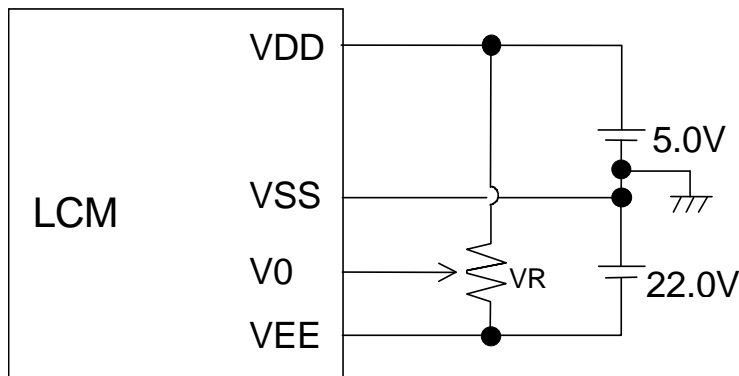


SYMBOL	MIN.	MAX.	UNIT	COMMENT
$t_{DLD}$	50	-	ms	(Note 1)
$t_{CH}$	0	30	ms	
$t_{LDH}$	0	-	ms	
$t_{DOe}$	-	100	ns	(Note 2)
$t_{DOf}$	-	100	ns	
$t_{DLCr}$	0	-	ms	
$t_{DLCf}$	0	-	ms	
$t_{DLCs}$	20	-	ms	

Note 1 Please keep the specified sequence because wrong sequence may cause permanent damage to the LCD panel.

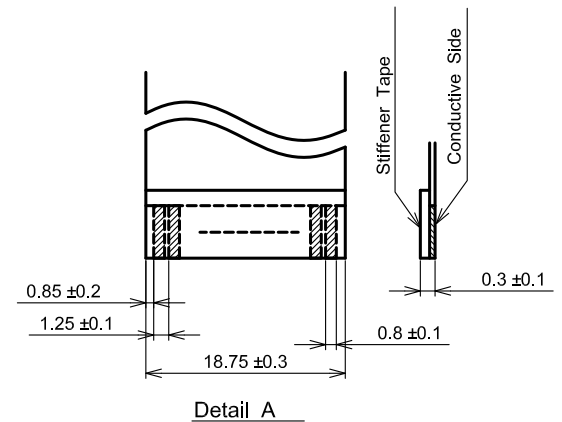
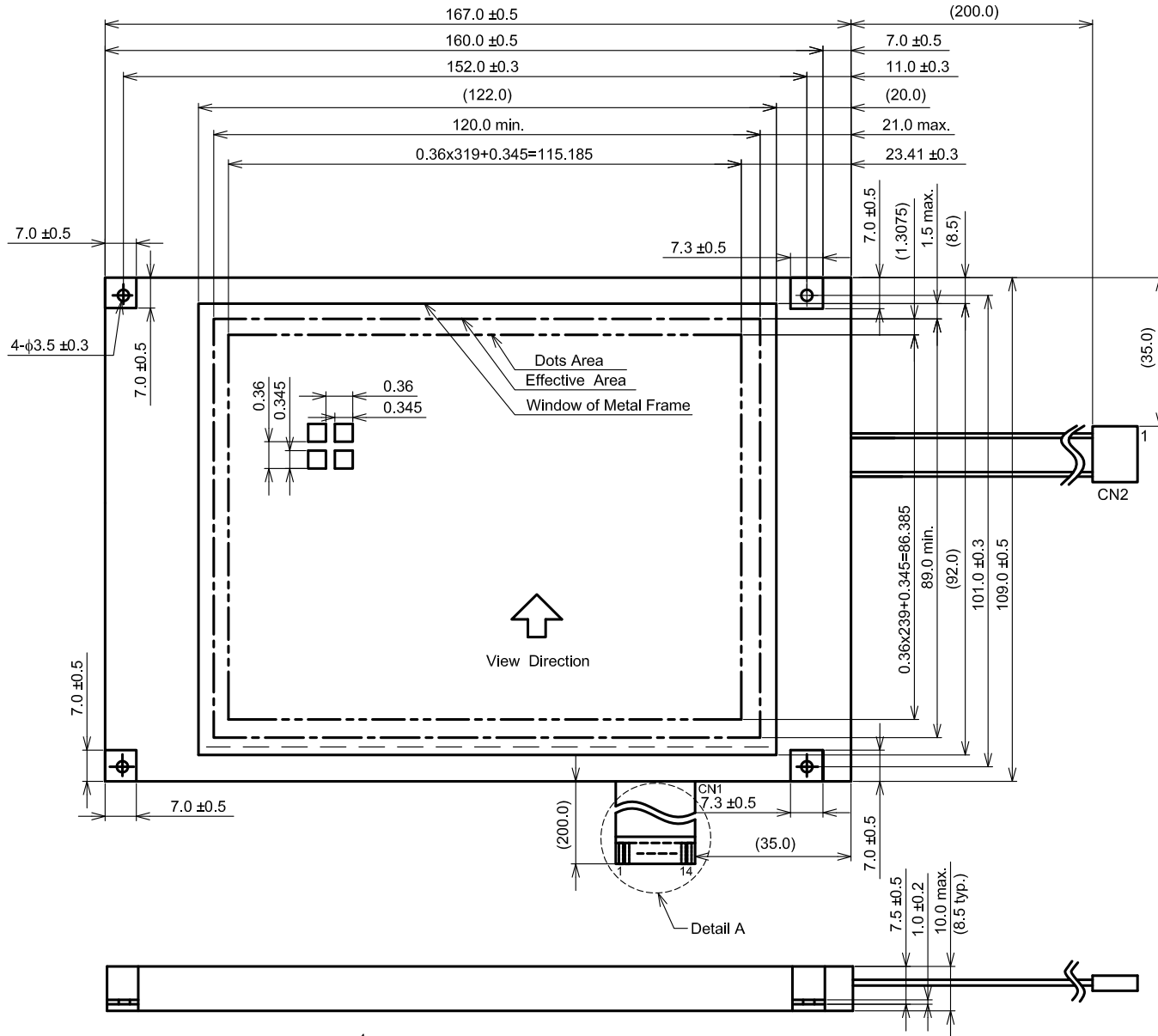
Note 2 HITACHI recommends you to use DISP.OFF function. display quality may deteriorate if you don't use DISP.OFF function.

### 8.4 POWER SUPPLY FOR LCM (EXAMPLE)



Note 1 : VR : 10k $\Omega$

9. OUTLINE DIMENSIONS  
9.1 OUTLINE DIMENSIONS

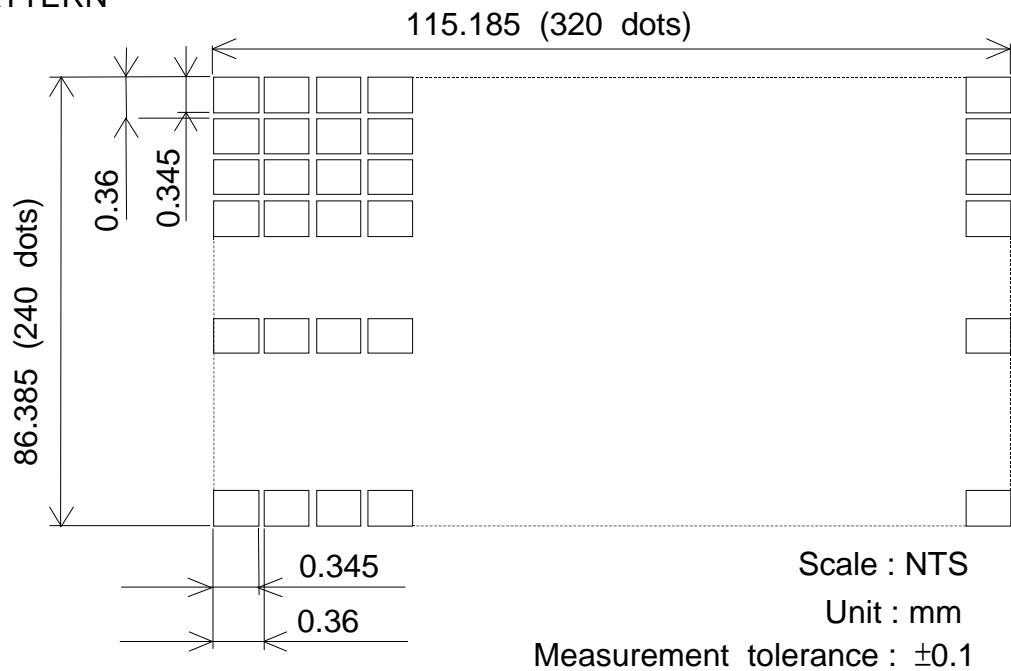


Note(1) Measurement when adding  $9.8 \times 10^{-4}$  Pa at the measuring point.

Scale : NTS  
Unit : mm



## 9.2 DISPLAY PATTERN



## 9.3 INTERFACE PIN CONNECTION

FPC : pitch 1.25mm 14 pins

INTERFACE	PIN No.	SIGNAL	LEVEL	FUNCTION	
LCM	CN1	1	H/L	Display Data	
		2			
		3			
		4			
		5	DISP.OFF	H/L	H : ON / L : OFF
		6	FRAME	H	First Line Marker
		7	N.C	-	-
		8	LOAD	H→L	Data Latch
		9	CP	H→L	Data Shift
		10	VDD	-	Power Supply for Logic
		11	VSS	-	GND
		12	VEE	-	Power Supply for LC
		13	V0	-	Operating Voltage LC Driving
		14	VSS	-	GND

INTERFACE	PIN No.	SIGNAL	LEVEL	FUNCTION
LCM	CN2	1	-	Power Supply for CFL
		2	-	-
		3	-	-
		4	-	CFL GND

CFL I/F : J.A.E./IL - G - 4S -S3C2

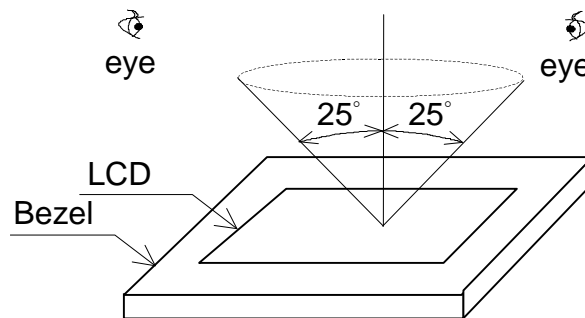
## 10. APPEARANCE STANDARD

### 10.1 APPEARANCE INSPECTION CONDITIONS

Visual inspection should be done under the following condition.

- (1) The inspection should be done under in the dark room.
- (2) The CFL should be lighted with the prescribed inverter.
- (3) The distance between eyes of an inspector and the LCD module is 25cm.
- (4) The viewing zone is shown the figure .

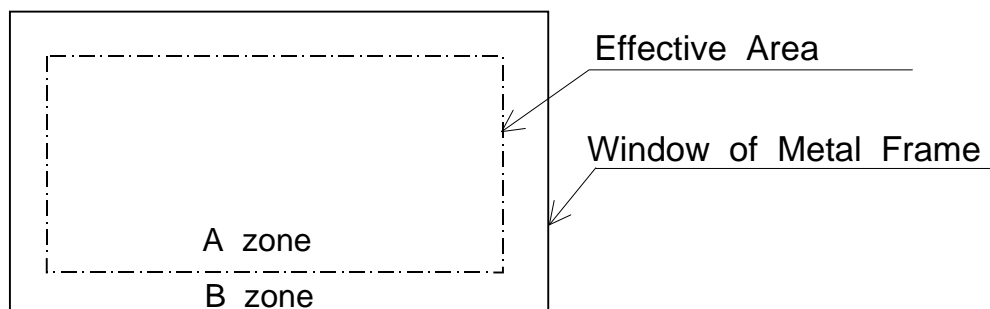
Viewing angle  $\leq 25^\circ$



### 10.2 DEFINITION OF EACH ZONE

A zone : Within the effective area specified at page 9-1/2 of this document.

B zone : Area between the window of metal frame and the effective area line specified at page 9-1/2 of this document.



### 10.3 APPEARANCE SPECIFICATION

\*) If a problem occurs in respect to any of these items ,  
both parties (Customer and HITACHI) will discuss in more detail.

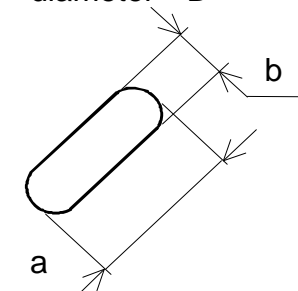
No.	ITEM	CRITERIA				A	B
L C D	Scratches	Distinguished one is not acceptable (To be judged by HITACHI limit sample)				*	-
	Dent	Same as above				*	-
	Wrinkles in Polarizer	Same as above				*	-
	Bubbles	Average diameter D(mm)		Maximum number acceptable		○	-
		$D \leq 0.2$		Ignore			
		$0.2 < D \leq 0.3$		12			
		$0.3 < D \leq 0.5$		3			
		$0.5 < D$		NONE			
	Stains, Foreign Materials, Dark Spot	Filamentous				○	-
		Length L(mm)	Width W(mm)	Maximum number acceptable			
		$L \leq 2.0$	$W \leq 0.03$	Ignore			
		$L \leq 3.0$	$0.03 < W \leq 0.05$	6			
		$L \leq 2.5$	$0.05 < W < 0.1$	1			
		Round				○	-
		Average diameter D(mm)	Maximum number acceptable	Minimum Space			
		$D < 0.2$	Ignore	-			
		$0.2 \leq D < 0.33$	8	10mm			
		$0.33 \leq D$	None	-			
	Total		Filamentous + Round = 10				
	Those wiped out easily are acceptable				○	○	
Color Tone	To be judged by HITACHI limit sample				○	-	
Color Uniformity	Same as above				○	-	
Pinhole	Average diameter D(mm)		Maximum number acceptable		○	-	
	$D \leq 0.15$		Ignore				
	$0.15 < D \leq 0.3$		10				
	$C \leq 0.015$		Ignore				
Contrast Irregularity (Spot)	Average diameter D(mm)	Contrast	Maximum number acceptable	Minimum Space	○	-	
	$D \leq 0.25$	To be judged by HITACHI	Ignore	-			
	$0.25 < D \leq 0.35$		10	20mm			
	$0.35 < D \leq 0.5$		4	20mm			
	$0.5 < D$		None	-			

No.	ITEM	CRITERIA				A	B
L C D	Contrast Irregularity (Line) (Filamentous)	Width D(mm)	Length L(mm)	Maximum number acceptable	Minimum Space	○	-
		$W \leq 0.25$	$L \leq 1.2$	2	20mm		
		$W \leq 0.2$	$L \leq 1.5$	3	20mm		
		$W \leq 0.15$	$L \leq 2.0$	3	20mm		
		$W \leq 0.1$	$L \leq 3.0$	4	20mm		
TOTAL			6				
	Rubbing Scratch	To be judged by HITACHI standard				○	-

No.	ITEM	CRITERIA		
C F	Dark Spots, White Spots Foreign Materials (Spot)	$D \leq 0.4$		Ignore
		$D > 0.4$		None
L B	Foreign Materials (Line)	$W \leq 0.2$	$L < 2.5$	$\leq 1$
		$W \leq 0.2$	$L > 2.5$	None
/	Scratches	$W > 0.2$		None
		$W \leq 0.1$		Ignore
		$0.1 < W \leq 0.2$	$L \leq 11.0$	$\leq 1$
		$0.1 < W \leq 0.2$	$L \geq 11.0$	None
		$W < 0.2$		None

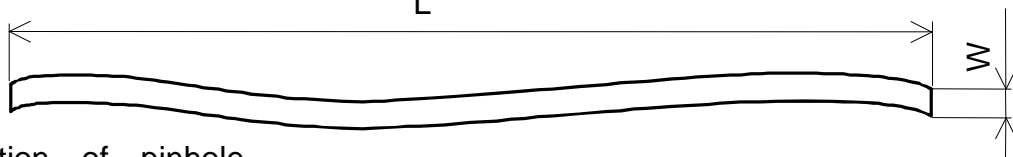
Note

(1) Definition of average diameter D

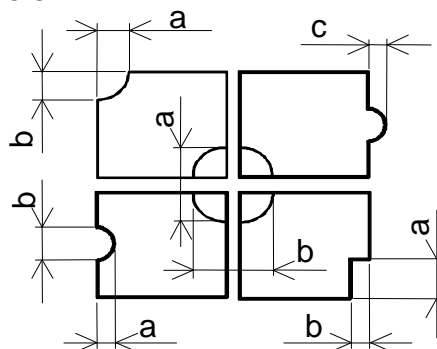


$$D = \frac{a+b}{2}$$

(2) Definition of length L and width W



(3) Definition of pinhole



c : Salience

## 11. PRECAUTION IN DESIGN

### 11.1 LC DRIVING VOLTAGE (VEE) AND VIEWING ANGLE RANGE

Setting VEE out of the recommended condition will be a cause for a change of viewing angle range.

### 11.2 CAUTION AGAINST STATIC CHARGE

As this module contains C-MOS LSIs, it is not strong against electrostatic discharge. Make certain that the operator's body is connected to the ground through a wrist band etc. And don't touch I/F pins directly.

### 11.3 POWER ON SEQUENCE

Input signals should not be applied to LCD module before power supply voltage is applied and reaches to specified voltage (VDD).

If above sequence is not kept, C-MOS LSIs of LCD modules may be damaged due to latch up phenomenon

### 11.4 PACKAGING

- (1) No leaving product is preferable in the place of high humidity for a long period of time. For their storage in the place where temperature is 35 °C or higher, special care to prevent them from high humidity is required. A combination of high temperature and high humidity may cause them polarization degradation as well as bubble generation and polarizer peel-off. Please keep the temperature and humidity within the specified range for use and storage.
- (2) Since polarizers tend to be easily damaged, They should be handled full with care so as not to get them touched, pushed or rubbed.
- (3) As the adhesives used for adhering polarizers are made of organic substances which will be deteriorated by a chemical reaction with such chemicals as acetone, toluene, ethanol and isopropyl-alcohol. The following solvents are recommended for use:  
Normal hexane  
Please contact us when it is necessary for you to use chemicals.
- (4) Lightly wipe to clean the dirty surface with absorbent cotton waste or other soft material like chamois, soaked in the chemicals recommended without scrubbing it hardly. To prevent the display surface from damage and keep the appearance in good state, it is sufficient, in general, to wipe it with absorbent cotton.

- (5) Immediately wipe off saliva or water drop attached on the display area because its long period adherence may cause deformation or faded color on the spot.
- (6) Foggy dew deposited on the surface due to coldness will be caused for polarizer damage, stain and dirt on product. When necessary to take out the products from some place at low temperature for test, etc. It is required for them to be warmed up in a container once at the temperature higher than that of room.
- (7) Touching the display area and contact terminals with bare hands and contaminating them are prohibited, because the stain on the display area and poor insulation between terminals are often caused by being touched by bare hands.  
( Some cosmetics are detrimental to polarizers.)
- (8) In general the quality of glass is fragile so that it tends to be cracked or chipped in handling, specially on its periphery. Be careful not to give it sharp shock caused by dropping down, etc.

#### 11.5 CAUTION FOR OPERATION

- (1) It is an indispensable condition to drive LCDs within the specified voltage limit since the higher voltage than the limit causes the shorter LCD life. An electrochemical reaction due to direct current causes LCDs undesirable deterioration , so that the use of direct current driver should be avoided.
- (2) Response time will be extremely delayed at lower temperature than the operating temperature range and on the other hand at higher temperature LCDs show dark blue color in them. However those phenomena do not mean malfunction or out of order with LCDs which will come back in the specified operating temperature range.
- (3) If the display area is pushed hard during operation, some font will be abnormally displayed but it resumes normal condition after turning off once.
- (4) A slight dew depositing on terminals is a cause for electrochemical reaction resulting in terminal open circuit. Usage under the relative condition of 40°C 50%RH or less is required.

## 11.6 STORAGE

In case of storing for a long period of time (for instance , for years) for the purpose of replacement use , the following ways area recommended.

- (1) Storage in a polyethylene bag with the opening sealed , so the fresh air will not be entered from outside .
- (2) Placing in a dark place where neither exposure to direct sunlight nor light is , keeping temperature in the range from 0 °C to 35 °C.
- (3) Storing with no touch on polarizer surface by anything else. (It is recommended to store them as they have been contained in the inner container at the time of delivery from us.)

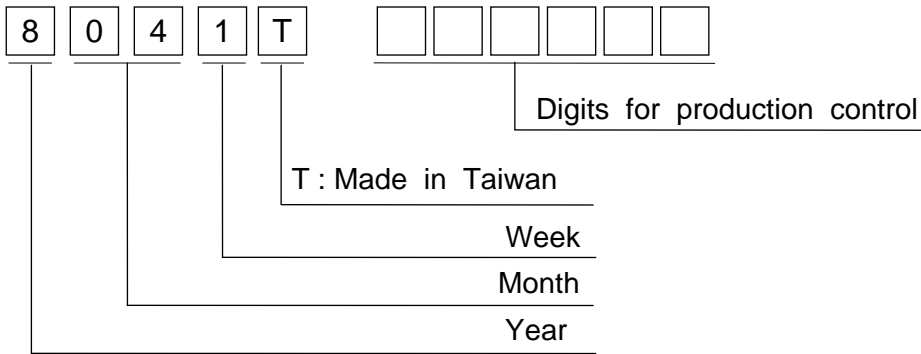
## 11.7 SAFETY

- (1) It is recommendable to crash damaged or unnecessary LCDs into pieces and wash off liquid crystal by either of solvents such as acetone and ethanol , which should be burned up later.
- (2) When any liquid leaked out of a damaged glass cell comes in contact with your hands , please wash it off well with soap and water.

## 12. DESIGNATION OF LOT MARK

### 12.1 LOT MARK

Lot mark is consisted of 5 digits for production lot and 6 digits for production control.



Year	Figure in lot mark
2009	9
2010	0
2011	1
2012	2
2013	3

Month	Figure in lot mark	Month	Figure in lot mark
Jan.	01	Jul.	07
Feb.	02	Aug.	08
Mar.	03	Sep.	09
Apr.	04	Oct.	10
May	05	Nov.	11
Jun.	06	Dec.	12

Week (day in calendar)	Figure in lot mark
1~7	1
8~14	2
15~21	3
22~28	4
29~31	5

### 12.2 SERIAL No.

Serial No. is consisted of 6 digits number (000001~999999).

### 12.3 LOCATION OF LOT MARK

Label is bring attached on the back side of module.

### 12.4 REVISION(Rev.) CONTROL

Rev No.	ITEM
—	Mcount IC:MN73099HED(Panasonic) Transistor:2SA1036K(ROHM)
B	Mcount IC:IT7001M(ITE) Transistor:2SA1576(ROHM)





### 13. PRECAUTION FOR USE

13.1 A limit sample should be provided by the both parties on an occasion when the both parties agreed its necessity. Judgment by a limit sample shall take effect after the limit sample has been established and confirmed by the both parties.

13.2 On the following occasions, the handling of the problem should be decided through discussion and agreement between responsible persons of the both parties.

- (1) When a question is arisen in the specifications.
- (2) When a new problem is arisen which is not specified in this specifications.
- (3) When an inspection specifications change or operating condition change in customer is reported to HITACHI, and some problem is arisen in this specification due to the change.
- (4) When a new problem is arisen at the customer's operating set for sample evaluation in the customer site.

The precaution that should be observed when handling LCM have been explained above. If any points are unclear or if you have any request , please contact HITACHI.

KAOHSIUNG HITACHI ELECTRONICS CO.,LTD.	DATE	Mar.06,'09	Sh. No.	7B64PS 2713-SP14Q002-C1-9	PAGE	13-1/1
---	------	------------	------------	---------------------------	------	--------