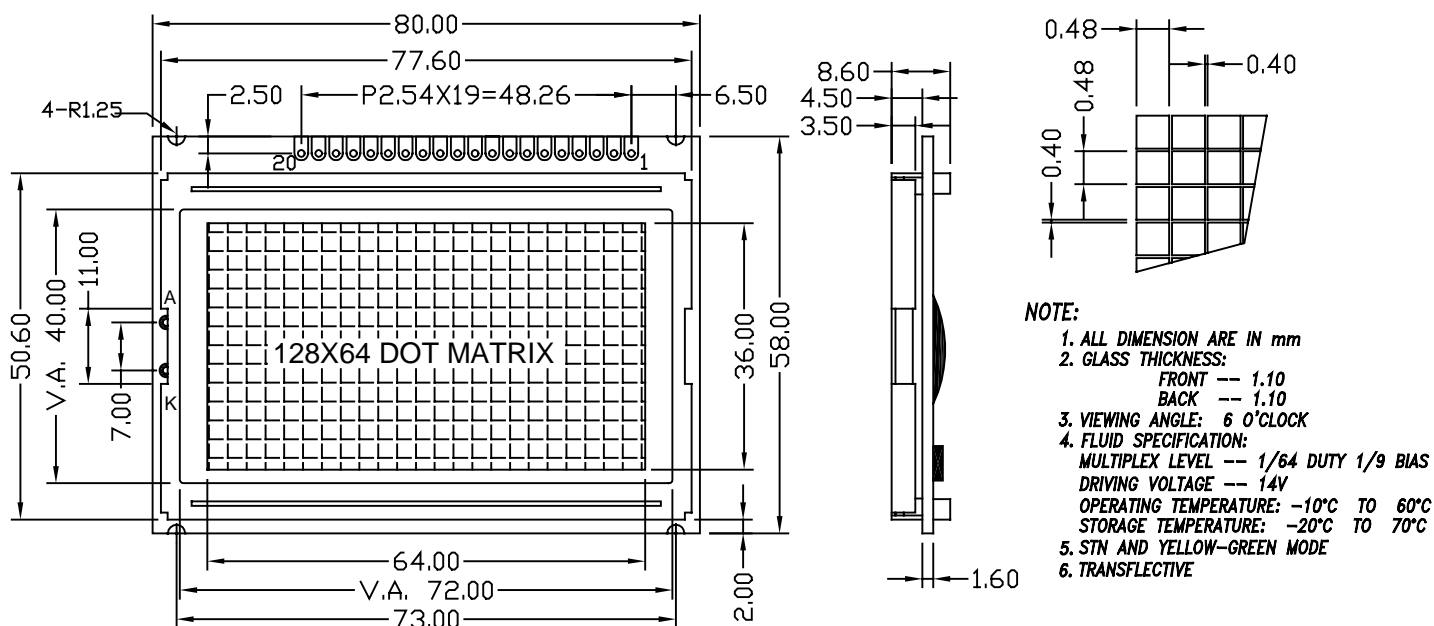


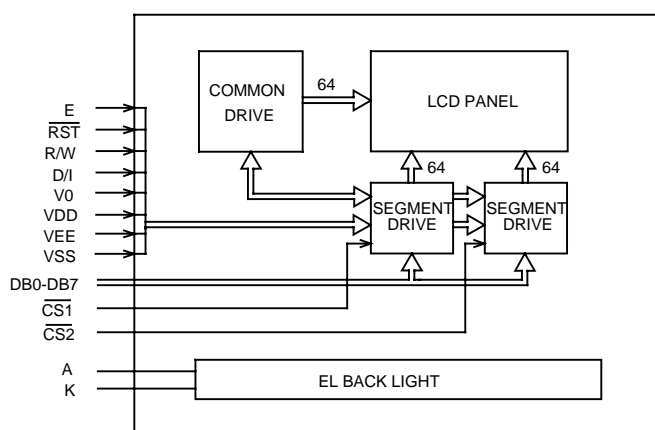
① EXTERNAL DIMENSION



② MECHANICAL DATA

ITEM	SPECIFICATION	UNIT
Module Size (W X H X T)	80.0 X 58.0 X 8.6	mm
Module Size With E/L (W X H X T)	80.0 X 58.0 X 8.6	mm
Viewing Area (W X H)	72.0 X 40.0	mm
Number of Dots (W X H)	128 X 64	dots
Dot Pitch (W X H)	0.52 X 0.52	mm
Dot Size (W X H)	0.48 X 0.48	mm
Weight	-	g

④ BLOCK DIAGRAM



③ PIN CONFIGURATION

ITEM	SYMBOL	LEVEL	DESCRIPTION
1	VSS	0V	Ground.
2	VDD	+5V	For internal logic circuit (+5V±10%).
3	V0	-	Operating Voltage for LCD (variable).
4	D/I	H/L	Data input/output pin of internal shift register.
5	R/W	H/L	Read or Write.
6	E	H/L	Enable signal.
7	DB0	H/L	Data bus [0~7]. There state I/O common terminal.
8	DB1	H/L	
9	DB2	H/L	
10	DB3	H/L	
11	DB4	H/L	
12	DB5	H/L	
13	DB6	H/L	
14	DB7	H/L	
15	CS1	L	Chip Select Signal for IC 1.
16	CS2	L	Chip Select Signal for IC 2.
17	RST	H/L	Reset signal.
18	VEE	Power	For LCD driver circuit.
19	A	+EL	EL Power
20	K	-EL	

⑤ ABSOLUTE MAXIMUM RATINGS(25°C)

PARAMETER	SYMBOL	MIN.	MAX.	UNIT
Supply Voltage Logic	V _{DD}	-0.3	7.0	V
Supply Voltage Driver	V _{EE}	V _{EE} -0.3	V _{DD} +0.3	V
Input Voltage	V _{IN}	-0.3	V _{DD} +0.3	V