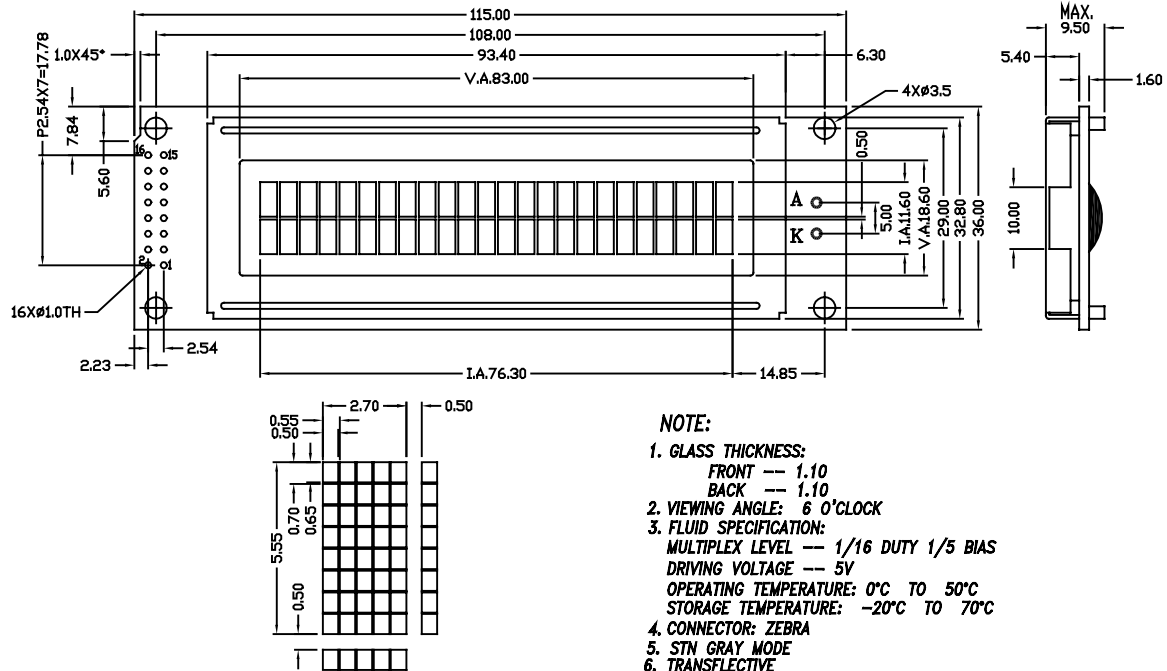


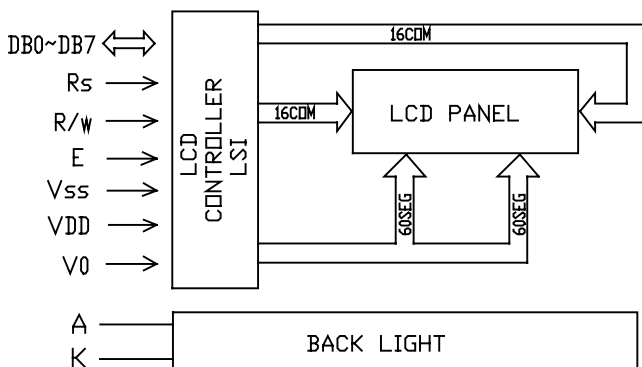
① EXTERNAL DIMENSION



② MECHANICAL DATA

ITEM	SPECIFICATION	UNIT
Module Size (W X H X T)	115.00 X 36.00 X 9.50	mm
Viewing Area (W X H)	83.00 X 18.60	mm
Internal Area (W X H)	76.30 X 11.60	mm
Dot Pitch (W X H)	0.55 X 0.70	mm
Dot Size (W X H)	0.50 X 0.65	mm
Character Pith (W X H)	3.20 X 6.05	mm
Character Size (W X H)	2.70 X 5.55	mm
Number of Character	24 Character X 2 Line	Char

④ BLOCK DIAGRAM



③ PIN CONFIGURATION

ITEM	SYMBOL	DESCRIPTION
1	VSS	Ground
2	VDD	Power supply for logic and LCD
3	V0	Operating voltage for LCD
4	RS	Register Select
5	R/W	Read/Write Select
6	E	Read/Write Enable
7	DB0	Data Bus
8	DB1	
9	DB2	
10	DB3	
11	DB4	
12	DB5	
13	DB6	
14	DB7	
15	K	Cathode of LED
16	A	Anode of LED

⑤ ABSOLUTE MAXIMUM RATINGS(25°C)

PARAMETER	SYMBOL	MIN.	MAX.	UNIT
Supply Voltage Logic	V _{DD}	-0.3	+7.0	V
Supply Voltage Driver	V _{LCD}	V _{DD} -15.0	V _{DD} +0.3	V
Input Voltage	V _{IN}	-0.3	V _{DD} +0.3	V