

PRELIMINARY SPEC

Part Number: BLF051MGC-6V-P

Mega Green

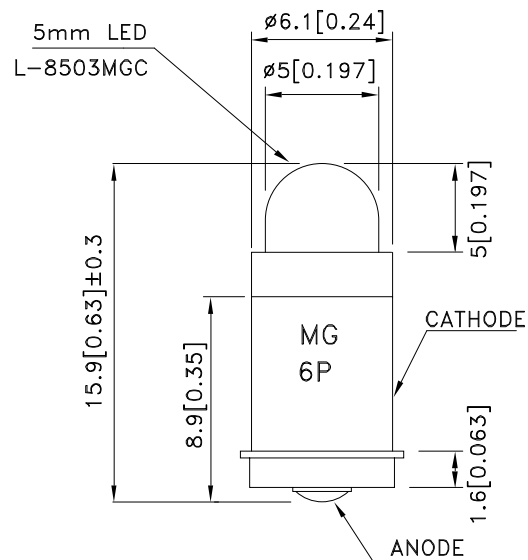
### Features

- BUILT-IN CURRENT LIMITING RESISTOR FOR DIRECT APPLICATION OF DIFFERENT ACROSS CURRENT.
- LONG LIFE.
- LOW CURRENT, POWER SAVINGS.
- LOW MAINTENANCE.
- DIFFERENT COLOR AVAILABLE.
- SOLID STATE, HIGH VIBRATION RESISTANT.
- 6V INTERNAL RESISTOR.
- RoHS COMPLIANT.

### Description

The Mega Green source color devices are made with InGaAlP on GaAs substrate Light Emitting Diode.

### Package Dimensions



#### Notes:

1. All dimensions are in millimeters (inches).
2. Tolerance is ±0.25(0.01") unless otherwise noted.
3. Specifications are subject to change without notice.



## Selection Guide

Part No.	Dice	Lens Type	Iv (mcd) V= 6V		Viewing Angle
			Min.	Typ.	2 $\theta$ 1/2
BLF051MGC-6V-P	Mega Green (InGaAlP)	WATER CLEAR	180	500	30°

Note:

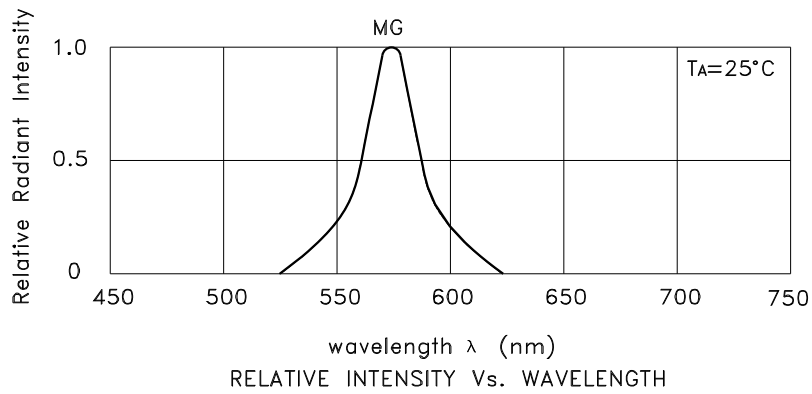
1.  $\theta$ 1/2 is the angle from optical centerline where the luminous intensity is 1/2 the optical centerline value.

## Electrical / Optical Characteristics at TA=25°C

Symbol	Parameter	Device	Typ.	Max.	Units	Test Conditions
$\lambda_{peak}$	Peak Wavelength	Mega Green	574		nm	V <sub>F</sub> =6V
$\lambda_D$	Dominant Wavelength	Mega Green	568		nm	V <sub>F</sub> =6V
$\Delta\lambda_{1/2}$	Spectral Line Half-width	Mega Green	26		nm	V <sub>F</sub> =6V
I <sub>F</sub>	Forward Current	Mega Green	20	25	mA	V <sub>F</sub> =6V
I <sub>R</sub>	Reverse Current	Mega Green		10	uA	V <sub>R</sub> = 5V

## Absolute Maximum Ratings at TA=25°C

Parameter	Mega Green	Units
Power dissipation	175	mW
Forward Voltage	7	V
Reverse Voltage	5	V
Operating Temperature	-40°C To +70°C	
Storage Temperature	-40°C To +85°C	



## Mega Green

### BLF051MGC-6V-P

