

PRELIMINARY SPEC

Part Number: BLF051SURC-E-6V-P

Hyper Red

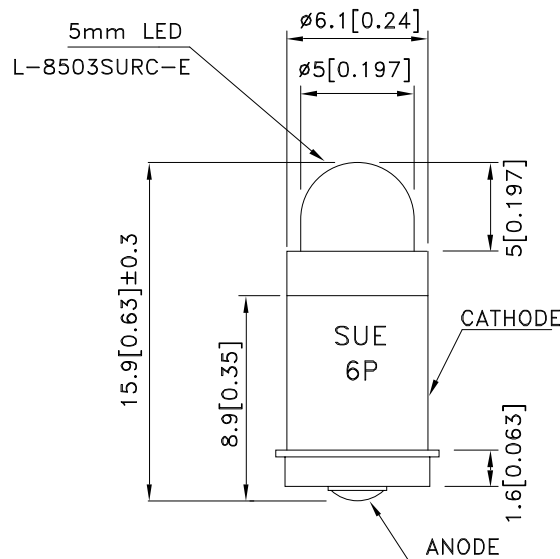
Features

- BUILT-IN CURRENT LIMITING RESISTOR FOR DIRECT APPLICATION OF DIFFERENT ACROSS CURRENT.
- LONG LIFE.
- LOW CURRENT, POWER SAVINGS.
- LOW MAINTENANCE.
- DIFFERENT COLOR AVAILABLE.
- SOLID STATE, HIGH VIBRATION RESISTANT.
- 6V INTERNAL RESISTOR.
- RoHS COMPLIANT.

Description

The Hyper Red source color devices are made with InGaAlP on GaAs substrate Light Emitting Diode.

Package Dimensions



Notes:

1. All dimensions are in millimeters (inches).
2. Tolerance is $\pm 0.25(0.01)$ unless otherwise noted.
3. Specifications are subject to change without notice.



Selection Guide

Part No.	Dice	Lens Type	Iv (mcd) V= 6V		Viewing Angle
			Min.	Typ.	2θ1/2
BLF051SURC-E-6V-P	Hyper Red (InGaAlP)	WATER CLEAR	900	2000	30°

Note:

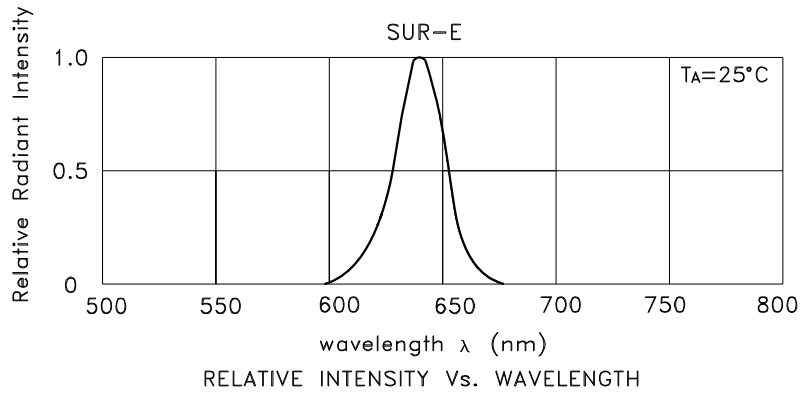
1. θ1/2 is the angle from optical centerline where the luminous intensity is 1/2 the optical centerline value.

Electrical / Optical Characteristics at TA=25°C

Symbol	Parameter	Device	Typ.	Max.	Units	Test Conditions
λ_{peak}	Peak Wavelength	Hyper Red	640		nm	V _F =6V
λ_D	Dominant Wavelength	Hyper Red	630		nm	V _F =6V
$\Delta\lambda_{1/2}$	Spectral Line Half-width	Hyper Red	25		nm	V _F =6V
I _F	Forward Current	Hyper Red	20	25	mA	V _F =6V
I _R	Reverse Current	Hyper Red		10	uA	V _R = 5V

Absolute Maximum Ratings at TA=25°C

Parameter	Hyper Red	Units
Power dissipation	175	mW
Forward Voltage	7	V
Reverse Voltage	5	V
Operating Temperature	-40°C To +70°C	
Storage Temperature	-40°C To +85°C	



Hyper Red

BLF051SURC-E-6V-P

