

PRELIMINARY SPEC

Part Number: BLF051SYC-12V-P

Super Bright Yellow

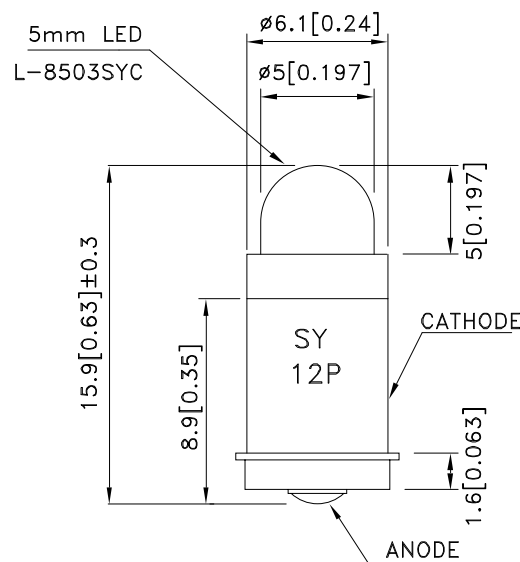
Features

- BUILT-IN CURRENT LIMITING RESISTOR FOR DIRECT APPLICATION OF DIFFERENT ACROSS CURRENT.
- LONG LIFE.
- LOW CURRENT, POWER SAVINGS.
- LOW MAINTENANCE.
- DIFFERENT COLOR AVAILABLE.
- SOLID STATE, HIGH VIBRATION RESISTANT.
- 12V INTERNAL RESISTOR.
- RoHS COMPLIANT.

Description

The Super Bright Yellow device is made with InGaAlP (on GaAs substrate) light emitting diode chip.

Package Dimensions



Notes:

1. All dimensions are in millimeters (inches).
2. Tolerance is ± 0.25 (0.01") unless otherwise noted.
3. Specifications are subject to change without notice.



Selection Guide

Part No.	Dice	Lens Type	Iv (mcd) V= 12V		Viewing Angle
			Min.	Typ.	2θ1/2
BLF051SYC-12V-P	Super Bright Yellow (InGaAlP)	WATER CLEAR	280	900	30°

Note:

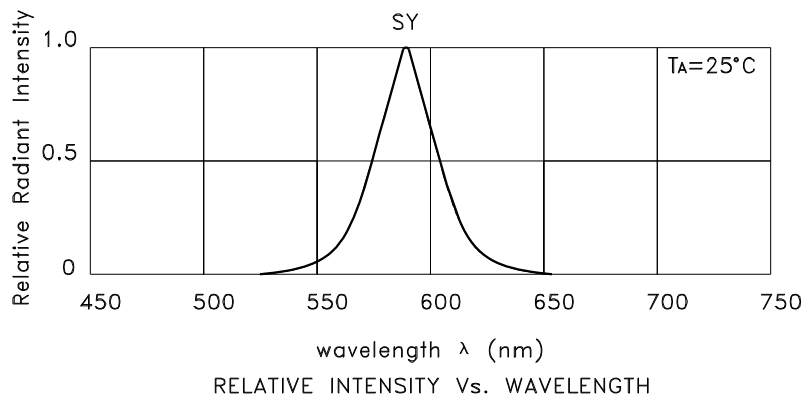
1. θ1/2 is the angle from optical centerline where the luminous intensity is 1/2 the optical centerline value.

Electrical / Optical Characteristics at TA=25°C

Symbol	Parameter	Device	Typ.	Max.	Units	Test Conditions
λ_{peak}	Peak Wavelength	Super Bright Yellow	590		nm	V _F =12V
λ_D	Dominant Wavelength	Super Bright Yellow	588		nm	V _F =12V
$\Delta\lambda_{1/2}$	Spectral Line Half-width	Super Bright Yellow	28		nm	V _F =12V
I _F	Forward Current	Super Bright Yellow	16	20	mA	V _F =12V
I _R	Reverse Current	Super Bright Yellow		10	uA	V _R = 5V

Absolute Maximum Ratings at TA=25°C

Parameter	Super Bright Yellow	Units
Power dissipation	280	mW
Forward Voltage	14	V
Reverse Voltage	5	V
Operating Temperature	-40°C To +70°C	
Storage Temperature	-40°C To +85°C	



Super Bright Yellow BLF051SYC-12V-P

