

GENERAL SPECIFICATION

Item	Content
Number of Character	8x2
Module Size	58.0(W)x32.0(H)x9.2/13.5(D)mm Max
Viewing Area	38.0(W)x16.0(H)mm
Character Size	2.96(W)x5.56(H)mm
Dot Size/Dot Pitch	0.56(W)x0.66(H)mm/0.60(W)x0.70(H)mm
Backlight	Without/LED
Options	Gray STN/Yellow STN/Normal/Extended Temperature/Bottom/Top Viewing

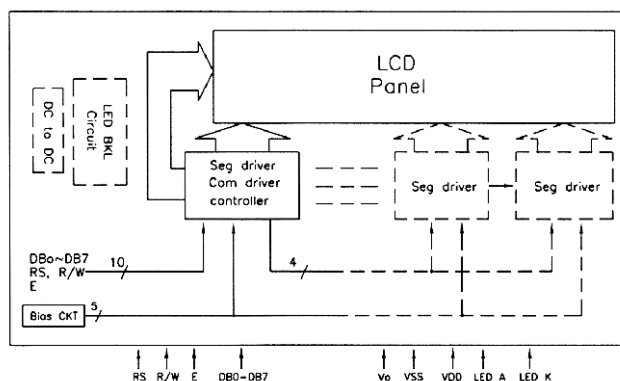
INTERFACE PIN ASSIGNMENT

Pin No.	Pin Out	Function Description
1	V _{SS}	Ground
2	V _{DD}	Logic Circuit Power Supply
3	V _O	Power Supply for LCD Panel
4	RS	Data/Instruction Register Select
5	R/W	Read/Write Select
6	E	Enable Signal
7-14	DB0-DB7	3-State I/O Data Bus

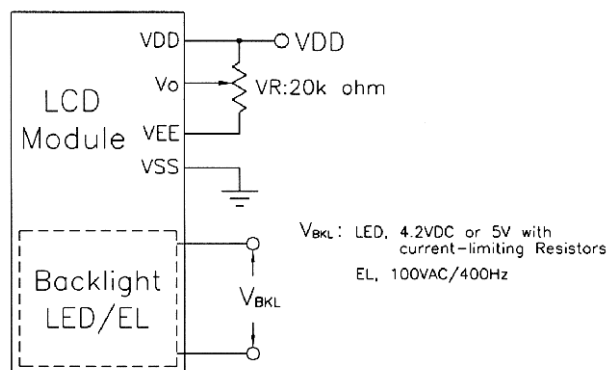
ELECTRICAL CHARACTERISTICS

Item	Symbol	Condition	Min.	Typ.	Max.	Unit	Note
Power Supply for Logic	V _{DD} -V _{SS}	-	2.7	4.5	5.5	Volt	-
Input Voltage	V _{IL}	L level	V _{SS}	0.2V _{DD}	-	Volt	-
	V _{IH}	H level	0.8V _{DD}	V _{DD}	-	Volt	-
LCM Recommend LCD Module Driving Voltage	V _{DD} -V _O =4.4V	Ta=0°C	4.4	4.56	4.7	Volt	-
		Ta=25°C	4.2	4.4	4.6		
		Ta=50°C	3.9	4.02	4.2		
Power Supply Current for LCM	I _{DD} (EL B/L OFF)	V _{DD} =4.5V Ta=25°C	-	1.5	2.0	mA	-
		V _{DD} -V _O =4.4V FLM=64Hz V _{LED} =4.2V	-	70	105		

BLOCK DIAGRAM



POWER SUPPLY



MECHANICAL

