

# LMH6555

## Low Distortion 1.2 GHz Differential Driver

### General Description

The LMH6555 is an ultra high speed differential line driver with 53 dB SFDR at 750 MHz. The LMH6555 features a fixed gain of 13.7 dB. An input to the device allows the output common mode voltage to be set independent of the input common mode voltage in order to simplify the interface to high speed differential input ADCs. A unique architecture allows the device to operate as a fully differential driver or as a single-ended to differential converter.

The outstanding linearity and drive capability (100Ω differential load) of this device are a perfect match for driving high speed analog-to-digital converters. When combined with the ADC081000/ ADC081500 (single or dual ADC), the LMH6555 forms an excellent 8-bit data acquisition system with analog bandwidths exceeding 750 MHz.

The LMH6555 is offered in a space saving 16-pin LLP package.

### Features

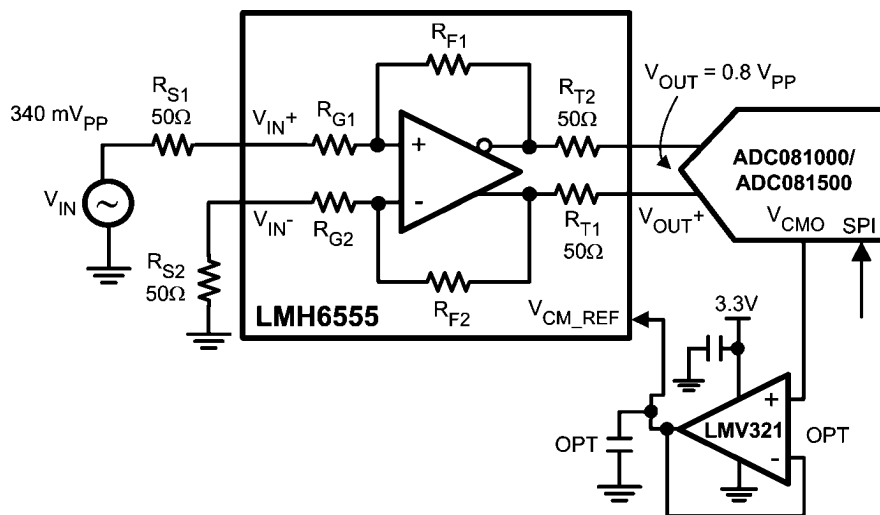
Typical values unless otherwise specified.

- -3 dB bandwidth ( $V_{OUT} = 0.80 V_{PP}$ ) 1.2 GHz
- $\pm 0.5$  dB gain flatness ( $V_{OUT} = 0.80 V_{PP}$ ) 330 MHz
- Slew rate 1300 V/ $\mu$ s
- 2<sup>nd</sup>/3<sup>rd</sup> Harmonics (750 MHz) -53/-54 dBc
- Fixed gain 13.7 dB
- Supply current 120 mA
- Single supply operation 3.3V  $\pm 10\%$
- Adjustable common-mode output voltage

### Applications

- Differential ADC driver
- National Semiconductor ADC081500/ ADC081000 (single or dual) driver
- Single ended to differential converter
- Intermediate frequency (IF) amplifier
- Communication receivers
- Oscilloscope front end

### Typical Application



Single Ended to Differential Conversion

20127704

**Absolute Maximum Ratings** (Note 1)

If Military/Aerospace specified devices are required, please contact the National Semiconductor Sales Office/Distributors for availability and specifications.

ESD Tolerance (Note 5)	
Human Body Model	2000V
Machine Model	200V
$V_S$	4.2V
Output Short Circuit Duration (one pin to ground)	Infinite
Common Mode Input Voltage	-0.4V to 3V

Maximum Junction Temperature	+150°C
Storage Temperature Range	-65°C to +150°C
Soldering Information	
Infrared or Convection (20 sec.)	235°C
Wave Soldering (10 sec.)	260°C

**Operating Ratings** (Note 1)

Temperature Range (Note 4)	-40°C to +85°C
Supply Voltage Range	+3.3V $\pm$ 10%
Package Thermal Resistance ( $\theta_{JA}$ )(Note 4)	
16-Pin LLP	65°C/W

**3.3V Electrical Characteristics** (Note 2)

Unless otherwise specified, all limits are guaranteed for  $T_A = 25^\circ\text{C}$ ,  $V_{CM\_REF} = 1.2\text{V}$ , both inputs tied to 0.3V through 50 $\Omega$  ( $R_{S1}$  &  $R_{S2}$ ) each (Note 11),  $V_S = 3.3\text{V}$ ,  $R_L = 100\Omega$  differential,  $V_{OUT} = 0.8 V_{PP}$ . See the Definition of Terms and Specification section for definition of terms used throughout the datasheet. **Boldface** limits apply at the temperature extremes.

Symbol	Parameter	Conditions	Min (Note 8)	Typ (Note 7)	Max (Note 8)	Units
<b>AC/DC Performance</b>						
SSBW	-3 dB Bandwidth	$V_{OUT} = 0.25 V_{PP}$		1200		MHz
LSBW		$V_{OUT} = 0.8 V_{PP}$		1200		
Peak	Peaking	$V_{OUT} = 0.8 V_{PP}$		1.4		dB
GF_0.1 dB	Gain Flatness	$\pm 0.1$ dB		180		MHz
GF_0.5 dB		$\pm 0.5$ dB		330		
Ph_Delta	Phase Delta	Output Differential Phase Difference $f \leq 1.2$ GHz		< $\pm 0.8$		deg
Lin_Ph	Linear Phase Deviation	Each Output $f \leq 2$ GHz		< $\pm 30$		deg
GD	Group Delay	Each Output $f \leq 2$ GHz		0.75		ns
P_1 dB	1 dB Compression	1 GHz		1		$V_{PP}$
TRS/TRL	Rise/ Fall Time	$V_{OUT} = 0.2 V_{PP}$ Each Output		320		pS
OS	Overshoot	$V_{OUT} = 0.2 V_{PP}$ Each Output		14		%
SR	Slew Rate	0.8V Step, 10% to 90%,(Note 6)		1300		V/ $\mu$ s
$t_s$	Settling Time	$\pm 1\%$		2.2		ns
$A_{V\_DIFF}$	Insertion Gain ( $I_{S21}$ )	DC, $\frac{\Delta V_{OUT}}{\Delta V_{IN}}$	13.2 <b>13.1</b>	13.7	14.0 <b>14.1</b>	dB
TC $A_{V\_DIFF}$	Temperature Coefficient of Insertion Gain			-0.9		mdB/ $^\circ\text{C}$
$\Delta A_{V\_DIFF1}$	Insertion Gain Variation with $V_{CM\_REF}$	$V_{CM\_REF}$ Input Varied from 0.95V to 1.45, $V_{OUT} = 0.8 V_{PP}$		-0.04	$\pm 0.50$ <b><math>\pm 0.58</math></b>	dB
$\Delta A_{V\_DIFF2}$	Insertion Gain Variation with $V_{L\_CM}$	$-0.3 \leq V_{L\_CM} \leq 2.0\text{V}$		$\pm 0.03$	$\pm 0.48$ <b><math>\pm 0.55</math></b>	dB
<b>Distortion And Noise Response</b>						
HD2_L	2 <sup>nd</sup> Harmonic Distortion	250 MHz (Note 12)		-60		dBc
HD2_M		500 MHz (Note 12)		-62		
HD2_H		750 MHz (Note 12)		-53		
HD3_L	3 <sup>rd</sup> Harmonic Distortion	250 MHz (Note 12)		-67		dBc
HD3_M		500 MHz (Note 12)		-61		
HD3_H		750 MHz (Note 12)		-54		

Symbol	Parameter	Conditions	Min (Note 8)	Typ (Note 7)	Max (Note 8)	Units
OIP3	Output 3 <sup>rd</sup> Order Intermodulation Intercept	f = 1 GHz P <sub>OUT</sub> (Each Tone) ≤ 8.5 dBm (Notes 12, 13)		27.5		dBm
OIM3	3 <sup>rd</sup> Order Intermodulation Distortion	f = 1 GHz P <sub>OUT</sub> (Each Tone) = -6 dBm (Notes 12, 13)		-67		dBc
e <sub>no</sub>	Output Referred Voltage Noise	≥1 MHz		19		nV/ $\sqrt{\text{Hz}}$
NF	Noise Figure	Relative to a Differential Input ≥10 MHz		15.0		dB
<b>Input Characteristics</b>						
R <sub>IN</sub>	CM Input Resistance	Each Input to Ground	45	50	55	Ω
R <sub>IN_DIFF</sub>	Differential Input Resistance	Differential	66	78	100	Ω
C <sub>IN</sub>	Input Capacitance	Each Input to GND		0.3		pF
CMRR	Common Mode Rejection Ratio	-0.3 ≤ CMVR ≤ 2.0V	40 <b>36</b>	68		dB
<b>Output Characteristics</b>						
V <sub>OOS</sub>	Output Offset Voltage	Differential Mode		15	±50 <b>±55</b>	mV
TCV <sub>OOS</sub>	Output Offset Voltage Average Drift	(Note 9)		±100		μV/°C
R <sub>O</sub>	Output Resistance	R <sub>T1</sub> and R <sub>T2</sub>	43	50	53	Ω
BAL_Error_DC	Output Gain Balance Error	DC, $\frac{\Delta V_{O\_CM}}{\Delta V_{OUT}}$		-57	-38	dB
BAL_Error_AC			f = 750 MHz, $\frac{V_{O\_CM}}{V_{OUT}}$		-48	
BAL_Error_AC_Phase	Output Phase Balance Error	f = 750 MHz, V <sub>OUT+</sub> - V <sub>OUT-</sub> Phase		±0.6		deg
ΔV <sub>O_CM</sub> /ΔV <sub>I_CM</sub>	Output Common Mode Gain	DC		-26	-22 <b>-21</b>	dB
<b>V<sub>CM_REF</sub> Characteristics</b>						
V <sub>OS_CM</sub>	Output CM Offset Voltage	V <sub>OS_CM</sub> = V <sub>O_CM</sub> - V <sub>CM_REF</sub>		-4	±60 <b>±85</b>	mV
TC_V <sub>OS_CM</sub>	CM Offset Voltage Temp Coefficient			-0.2		mV/°C
I <sub>B_CM</sub>	V <sub>CM_REF</sub> Bias Current	0.95V ≤ V <sub>CM_REF</sub> ≤ 1.45V (Note 10)		-25	±390 <b>±415</b>	μA
R <sub>IN_CM</sub>	V <sub>CM_REF</sub> Input Resistance		3.5	5.8		kΩ
Gain_V <sub>CM_REF</sub>	V <sub>CM_REF</sub> Input Gain to Output	ΔV <sub>O_CM</sub> /ΔV <sub>CM_REF</sub>	0.97	0.99	1.00	V/V
<b>Power Supply</b>						
I <sub>S</sub>	Supply Current	R <sub>S1</sub> & R <sub>S2</sub> Open (Note 3)		120	150 <b>156</b>	mA
PSRR	Differential Power Supply Rejection Ratio	DC, ΔV <sub>S</sub> = ±0.3V, ΔV <sub>OUT</sub> /ΔV <sub>S</sub>	-27 <b>-25</b>	-44		dB
PSRR_CM	Common Mode PSRR	DC, ΔV <sub>S</sub> = ±0.3V, ΔV <sub>O_CM</sub> /ΔV <sub>S</sub>	-29 <b>-27</b>	-39		dB

**Note 1:** Absolute Maximum Ratings indicate limits beyond which damage to the device may occur. Operating Ratings indicate conditions for which the device is intended to be functional, but specific performance is not guaranteed. For guaranteed specifications, see the Electrical Characteristics tables.

**Note 2:** Electrical Table values apply only for factory testing conditions at the temperature indicated. Factory testing conditions result in very limited self-heating of the device such that  $T_J = T_A$ . No guarantee of parametric performance is indicated in the electrical tables under conditions of internal self-heating where  $T_J > T_A$ .

**Note 3:** Total supply current is affected by the input voltages connected through  $R_{S1}$  and  $R_{S2}$ . Supply current tested with input removed.

**Note 4:** The maximum power dissipation is a function of  $T_{J(MAX)}$ ,  $\theta_{JA}$  and  $T_A$ . The maximum allowable power dissipation at any ambient temperature is  $P_D = (T_{J(MAX)} - T_A) / \theta_{JA}$ . All numbers apply for package soldered directly into a 2 layer PC board with zero air flow. Package should be soldered onto a 6.8 mm<sup>2</sup> copper area as shown in the "recommended land pattern" shown in the package drawing.

**Note 5:** Human Body Model, applicable std. MIL-STD-883, Method 3015.7. Machine Model, applicable std. JESD22-A115-A (ESD MM std. of JEDEC) Field-Induced Charge-Device Model, applicable std. JESD22-C101-C (ESD FICDM std. of JEDEC).

**Note 6:** Slew Rate is the average of the rising and falling edges.

**Note 7:** Typical values represent the most likely parametric norm as determined at the time of characterization. Actual typical values may vary over time and will also depend on the application and configuration. The typical values are not tested and are not guaranteed on shipped production material.

**Note 8:** Limits are 100% production tested at 25°C. Limits over the operating temperature range are guaranteed through correlation using Statistical Quality Control (SQC) methods.

**Note 9:** Drift determined by dividing the change in parameter at temperature extremes by the total temperature change.

**Note 10:** Positive current is current flowing into the device.

**Note 11:** Quiescent device common mode input voltage is 0.3V.

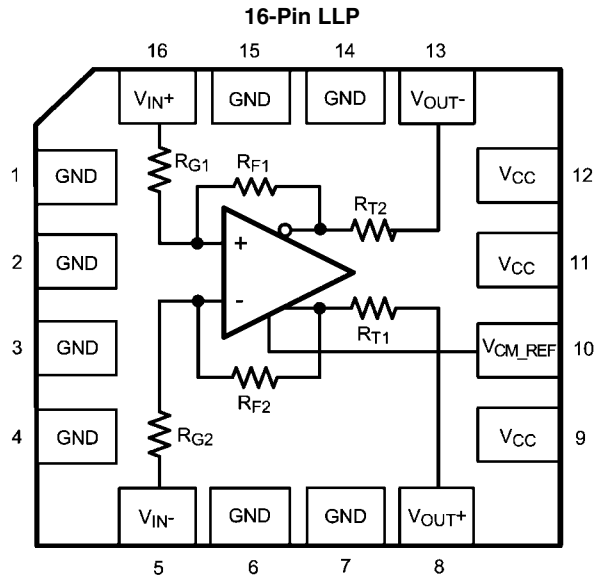
**Note 12:** Distortion data taken under single ended input condition.

**Note 13:** 0 dBm = 894 mV<sub>pp</sub> across 100Ω differential load

### Ordering Information

Package	Part Number	Package Marking	Transport Media	NSC Drawing
16-Pin LLP	LMH6555SQ	L6555SQ	1k Units Tape and Reel	SQA16A
	LMH6555SQE		250 Units Tape and Reel	
	LMH6555SQX		4.5k Units Tape and Reel	

### Connection Diagram



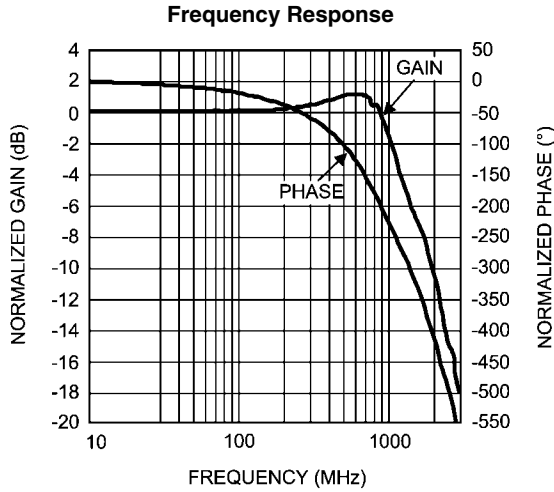
## Definition of Terms and Specifications (Alphabetical Order)

Unless otherwise specified,  $V_{CM\_REF} = 1.2V$

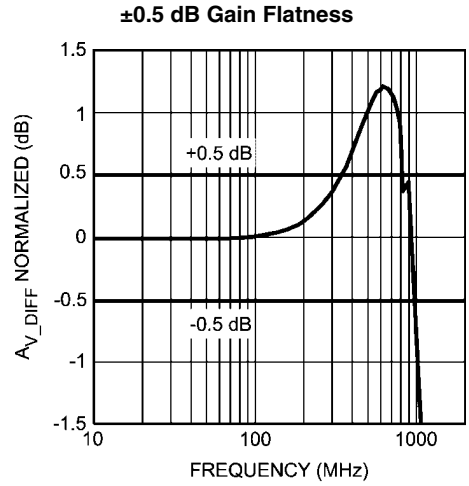
1.	$A_{V\_CM}$ (dB)	Change in the differential output voltage ( $\Delta V_{OUT}$ ) with respect to the change in input common mode voltage ( $\Delta V_{I\_CM}$ )
2.	$A_{V\_DIFF}$ (dB)	Insertion gain from a single ended 50 $\Omega$ (or 100 $\Omega$ differential) source to the differential output ( $\Delta V_{OUT}$ )
3.	$\Delta A_{V\_DIFF}$ (dB)	Variation in insertion gain ( $A_{V\_DIFF}$ )
4.	BAL_ERR_DC & BAL_ERR_AC	Balance Error. See $\left(\frac{\Delta V_{O\_CM}}{\Delta V_{OUT}}\right)$
5.	CM	Common Mode
6.	CMRR (dB)	Common Mode rejection defined as: $A_{V\_DIFF}$ (dB) - $A_{V\_CM}$ (dB)
7.	CMVR (V)	Range of input common mode voltage ( $V_{I\_CM}$ )
8.	Gain_ $V_{CM\_REF}$ (V/V)	Variation in output common mode voltage ( $\Delta V_{O\_CM}$ ) with respect to change in $V_{CM\_REF}$ input ( $\Delta V_{CM\_REF}$ ) with maximum differential output
9.	PSRR (dB)	Differential output change ( $\Delta V_{OUT}$ ) with respect to the power supply voltage change ( $\Delta V_S$ ) with nominal differential output
10.	PSRR_CM (dB)	Output common mode voltage change ( $\Delta V_{O\_CM}$ ) with respect to the change in the power supply voltage ( $\Delta V_S$ )
11.	$R_{IN}$ ( $\Omega$ )	Single ended input impedance to ground
12.	$R_{IN\_DIFF}$ ( $\Omega$ )	Differential input impedance
13.	$R_L$ ( $\Omega$ )	Differential output load
14.	$R_O$ ( $\Omega$ )	Device output impedance equivalent to $R_{T1}$ & $R_{T2}$
15.	$R_{S1}$ , $R_{S2}$ ( $\Omega$ )	Source impedance to $V_{IN+}$ and $V_{IN-}$ respectively
16.	$R_{T1}$ , $R_{T2}$ ( $\Omega$ )	Output impedance looking into each output
17.	$V_{CM\_REF}$ (V)	Device input pin which controls output common mode
18.	$\Delta V_{CM\_REF}$ (V)	Change in the $V_{CM\_REF}$ input
19.	$V_{I\_CM}$ (V)	DC average of the inputs ( $V_{IN+}$ , $V_{IN-}$ ) or the common mode signal at those same input pins
20.	$\Delta V_{I\_CM}$ (V)	Variation in input common mode voltage ( $V_{I\_CM}$ )
21.	$V_{IN+}$ , $V_{IN-}$ (V)	Device input pin voltages
22.	$\Delta V_{IN}$ (V)	Terminated (50 $\Omega$ for single ended and 100 $\Omega$ for differential) generator voltage
23.	$V_{O\_CM}$ (V)	Output common mode voltage (DC average of $V_{OUT+}$ and $V_{OUT-}$ )
24.	$\Delta V_{O\_CM}$ (V)	Variation in output common mode voltage ( $V_{O\_CM}$ )
25.	$\frac{\Delta V_{O\_CM}}{\Delta V_{OUT}}$ (dB)	Balance Error. Measure of the output swing balance of $V_{OUT+}$ and $V_{OUT-}$ , as reflected on the output common mode voltage ( $V_{O\_CM}$ ), relative to the differential output swing ( $V_{OUT}$ ). Calculated as output common mode voltage change ( $\Delta V_{O\_CM}$ ) divided into the output differential voltage change ( $\Delta V_{OUT}$ which is nominally around 800 mV <sub>PP</sub> )
26.	$\frac{V_{O\_CM}}{V_{OUT}}$ (dB)	AC version of the DC balance error $\left(\frac{\Delta V_{O\_CM}}{\Delta V_{OUT}}\right)$ test
27.	$V_{OOS}$ (V)	DC Offset Voltage. Differential output voltage measured with both inputs grounded through 50 $\Omega$
28.	$V_{OS\_CM}$ (V)	Difference between the output common mode voltage ( $V_{O\_CM}$ ) and the voltage on the $V_{CM\_REF}$ input, for the allowable $V_{CM\_REF}$ range
29.	$V_{OUT}$ (V)	Differential Output Voltage ( $V_{OUT+} - V_{OUT-}$ ) (Corrected for DC offset ( $V_{OOS}$ ))
30.	$\Delta V_{OUT}$ (V)	Change in the differential output voltage (Corrected for DC offset ( $V_{OOS}$ ))
31.	$V_{OUT+}$ , $V_{OUT-}$ (V)	Device output pin voltages
32.	$V_S$ (V)	Supply Voltage ( $V^+ - V^-$ )
33.	$\Delta V_S$ (V)	Change in $V_{CC}$ supply voltage

### Typical Performance Characteristics

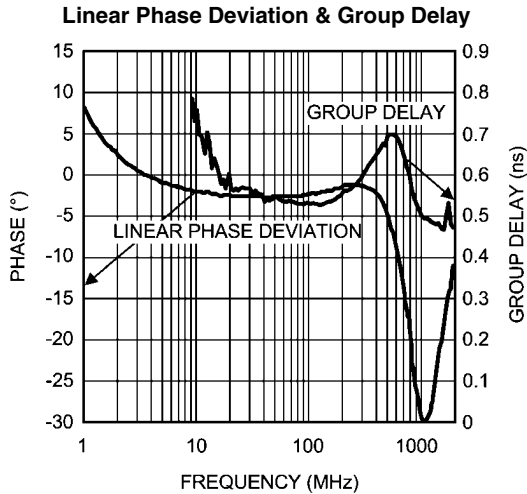
Unless otherwise specified,  $R_{S1} = R_{S2} = 50\Omega$ ,  $V_S = 3.3V$ ,  $R_L = 100\Omega$  differential,  $V_{OUT} = 0.8 V_{PP}$ . See the Definition of Terms and Conditions section for definition of terms used throughout the datasheet.



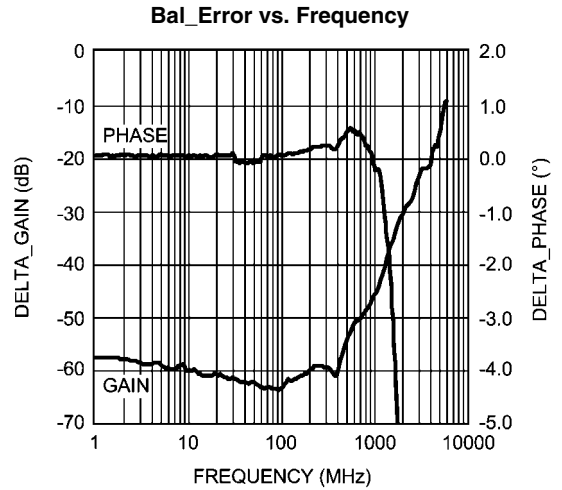
20127773



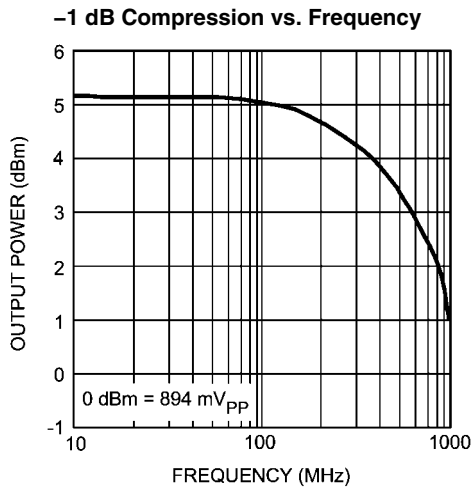
20127760



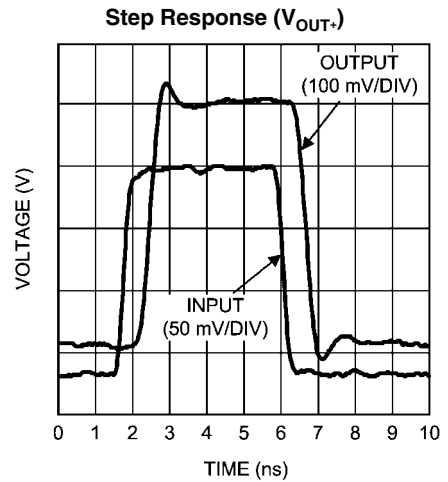
20127759



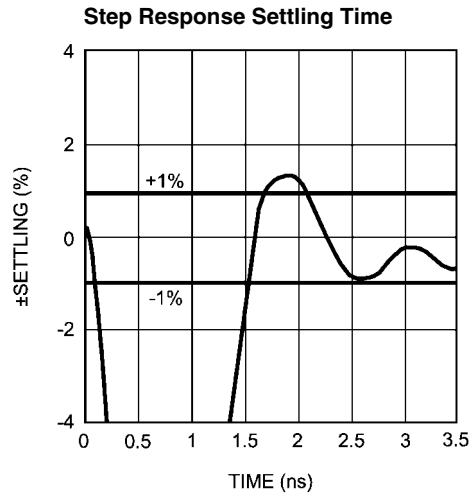
20127758



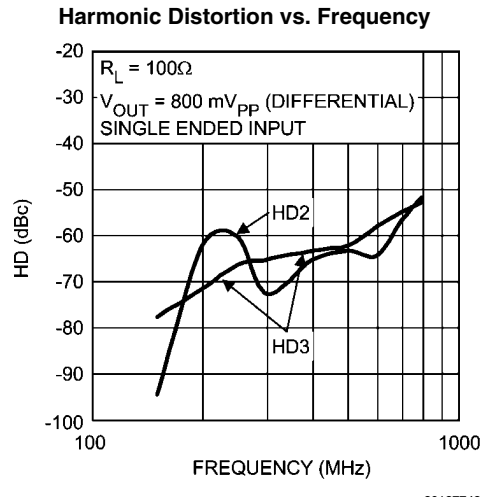
20127757



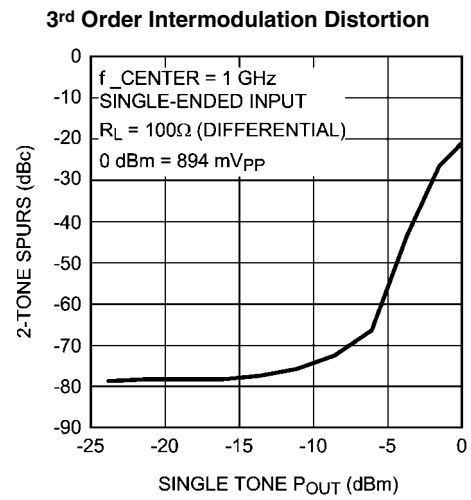
20127772



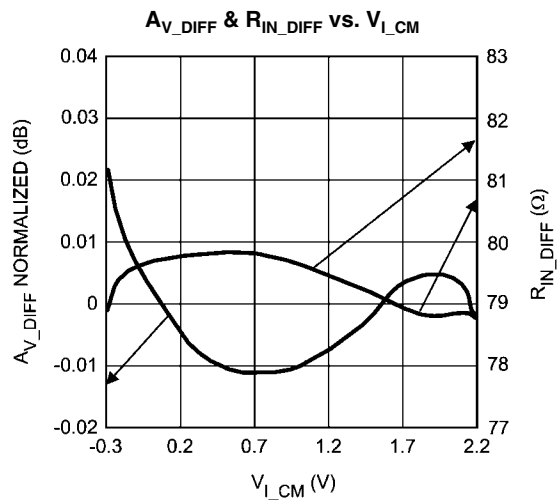
20127771



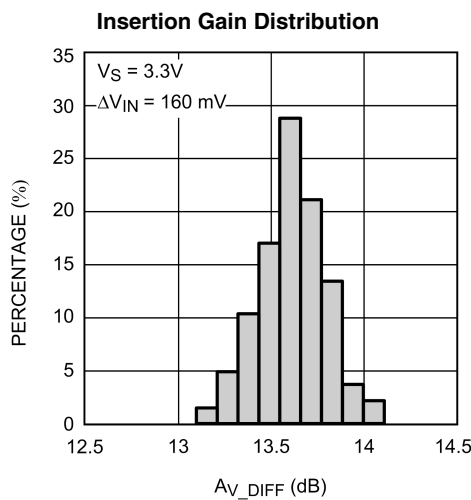
20127742



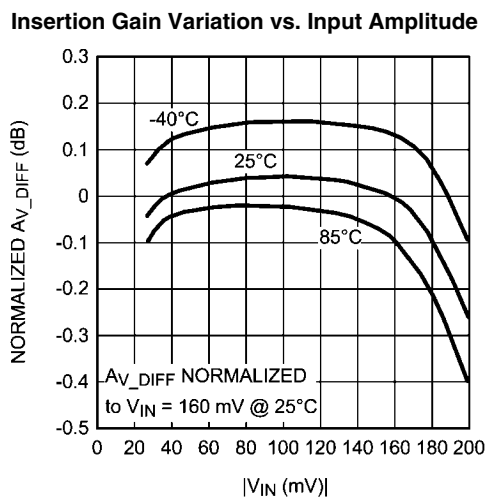
20127770



20127761

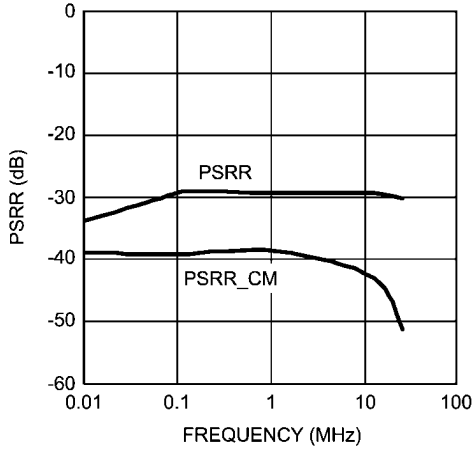


20127768



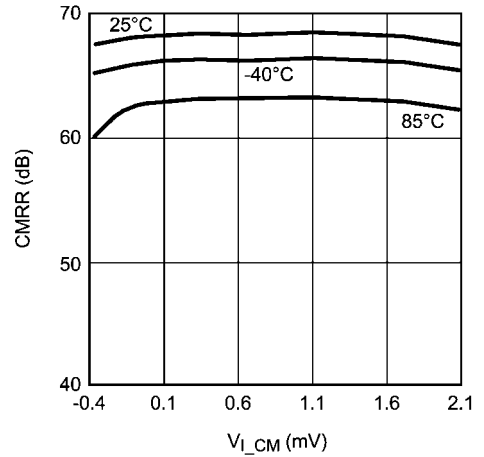
20127774

PSRR & PSRR\_CM vs. Frequency



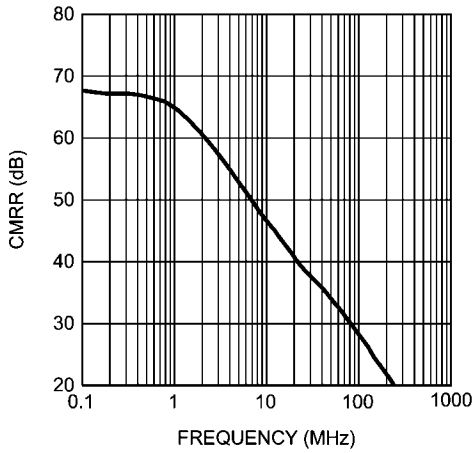
20127756

CMRR vs.  $V_{I\_CM}$



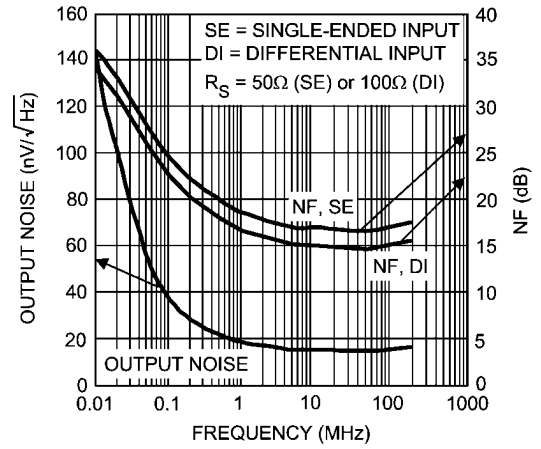
20127775

CMRR vs. Frequency



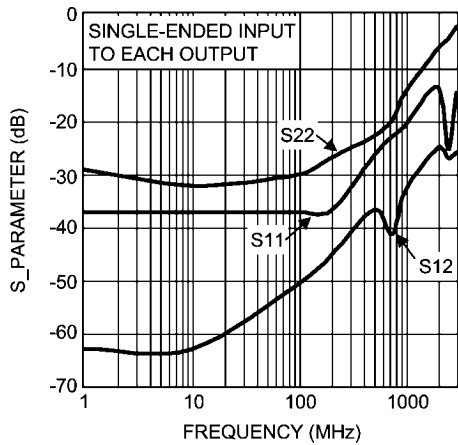
20127754

Noise Density & Noise Figure



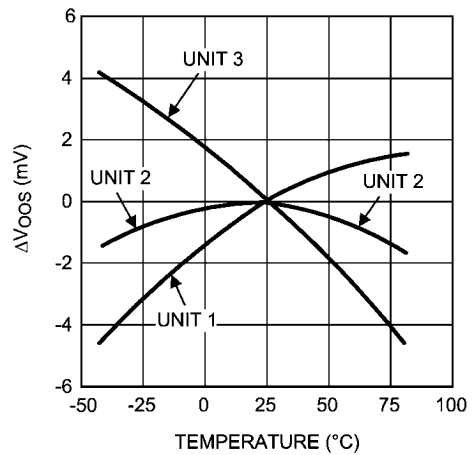
20127755

S\_Parameters vs. Frequency



20127763

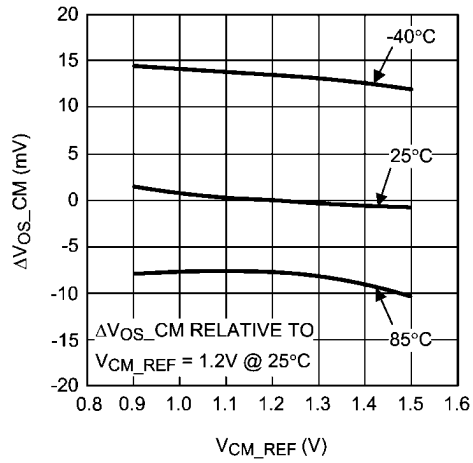
Differential Output Offset Variation for 3 Representative Units



20127766

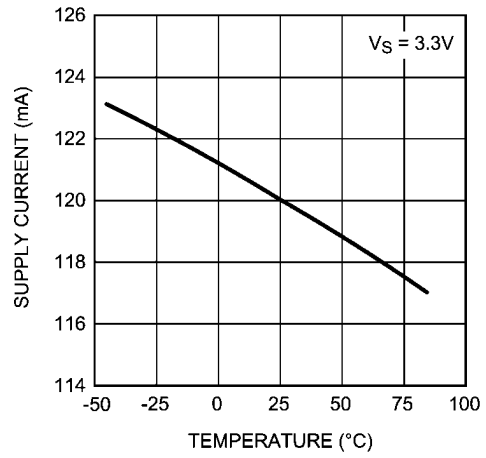


Common Mode Offset Voltage Variation vs.  $V_{CM\_REF}$



20127767

Supply Current vs. Temperature



20127769

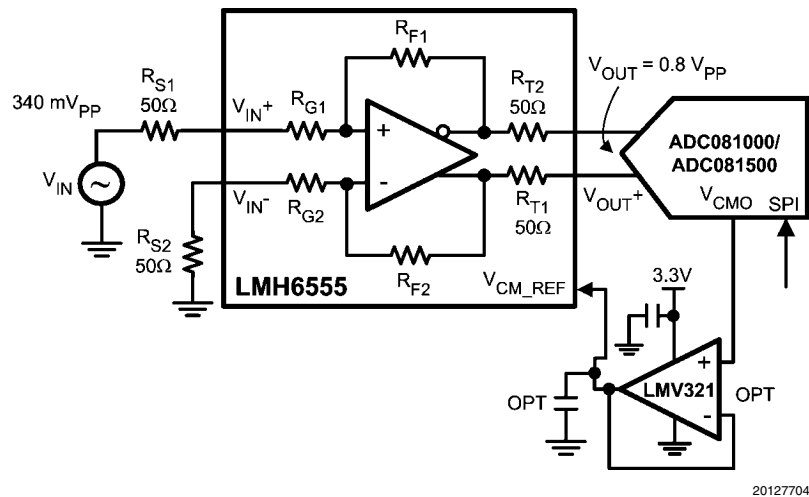
## Application Information

See the Definition of Terms and Conditions section for definition of terms used.

### GENERAL

The LMH6555 consists of three individual amplifiers: The  $V_{OUT+}$  driver,  $V_{OUT-}$  driver, and the common mode amplifier. Being a differential amplifier, the LMH6555 will not respond to the common mode input (as long as it is within its input common mode range) and instead the output common mode

is forced by the built-in common mode amplifier with  $V_{CM\_REF}$  as its input. As shown, in *Figure 1* below, the  $V_{CMO}$  output of most differential high speed ADC's is tied to the  $V_{CM\_REF}$  input of the LMH6555 for direct output common mode control. In some cases, the output drive capability of the ADC  $V_{CMO}$  output may need an external buffer, as shown, to increase its current capability in order to drive the  $V_{CM\_REF}$  pin. The LMH6555 Electrical Characteristics table shows the gain ( $Gain_{V_{CM\_REF}}$ ) and the offset ( $V_{OS\_CM}$ ) from the  $V_{CM\_REF}$  to the device output common mode.



**FIGURE 1. Single Ended to Differential Conversion**

The single ended input and output impedances of the LMH6555 I/O pins are close to  $50\Omega$  as specified in the Electrical Characteristics table ( $R_{IN}$  and  $R_O$ ). With differential input drive, the differential input impedance ( $R_{IN\_DIFF}$ ) is close to  $78\Omega$ .

The device nominal input common mode voltage ( $V_{I\_CM}$ ) is close to  $0.3V$  when  $R_{S1}$  and  $R_{S2}$  of *Figure 1* are open. Thus, the input source will experience a DC current with  $0V$  input. Because of this, the differential output offset voltage is influenced by the matching between  $R_{S1}$  and  $R_{S2}$ . So, in a single ended input condition, if the signal source is AC coupled to one input, the undriven input needs to also be AC coupled in order to cancel the output offset voltage ( $V_{OOS}$ ).

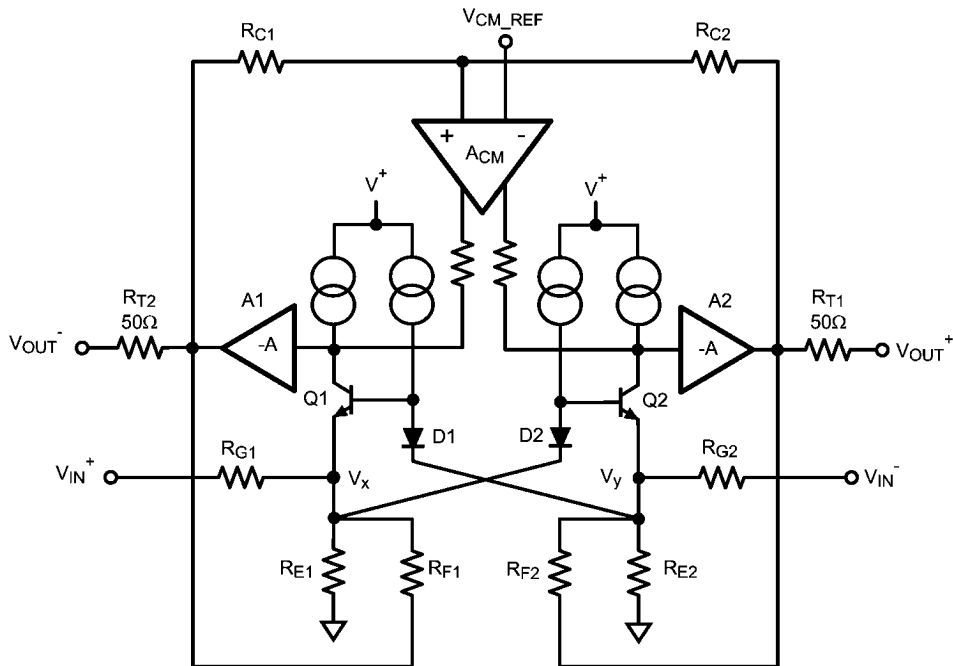
In applications where low output offset is required, it is possible to inject some current to the appropriate input

( $V_{IN+}$  or  $V_{IN-}$ ) as an effective method of trimming the output offset voltage of the LMH6555. This is explained later in this document. The nominal value of  $R_{S1}$  and  $R_{S2}$  will also affect the insertion gain ( $A_{V\_DIFF}$ ). The LMH6555 can also be used with the input AC coupled through equal valued DC blocking capacitors ( $C$ ) in series with  $V_{IN+}$  and  $V_{IN-}$ . In this case, the coupling capacitors need to be large enough to not block the low frequency content. The lower cutoff frequency will be  $1/(TR_{EQ}C)$ Hz with  $R_{EQ} = R_{S1} + R_{S2} + R_{IN\_DIFF}$  where  $R_{IN\_DIFF} \approx 78\Omega$ .

The single ended output impedance of the LMH6555 is  $50\Omega$ . The LMH6555 Electrical Characteristics shows the device performance with  $100\Omega$  differential output load, as would be the case if a device such as the ADC081000/ ADC081500 (single/ dual ADC) were being driven.

## CIRCUIT ANALYSIS

Figure 2 shows the block diagram of the LMH6555.



20127708

$$R_{G1} = R_{G2} = R_G = 39\Omega$$

$$R_{E1} = R_{E2} = R_E = 25\Omega$$

$$R_{F1} = R_{F2} = R_F = 430\Omega$$

$$I_{CQ1} = I_{CQ2} = 12.6 \text{ mA}$$

FIGURE 2. Block Diagram

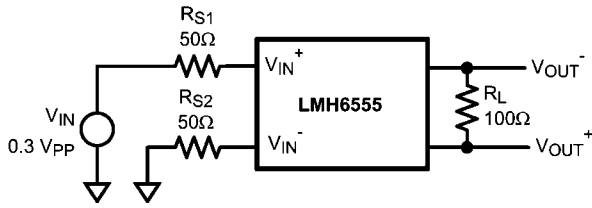
The differential input stage consists of cross-coupled common base bipolar NPN stages, Q1 and Q2. These stages give the device its differential input characteristic. The internal loop gain from  $V_x$  and  $V_y$  internal nodes (Q1 and Q2 emitters) to the output is large, such that these nodes act as a virtual ground. The cross-coupling will ensure that these nodes are at the same voltage as long as the amplifier is operating within its normal range. Output common mode voltage is enforced

through the action of "A<sub>CM</sub>" which serves the output common mode to the "V<sub>CM\_REF</sub>" input voltage.

**The discussion that follows, provides the formulas needed to analyze single ended and differential input applications. For a more detailed explanation including derivations, please see the Appendix at the end of the datasheet.**

**SINGLE-ENDED INPUT**

The following is the procedure for determining the device operating conditions for single ended input applications. This example will use the schematic shown in *Figure 3*.



20127710

**FIGURE 3. Single-Ended Input Drive**

1. Determine the driven input's ( $V_{IN+}$  or  $V_{IN-}$ ) swing knowing that each input common mode impedance to ground ( $R_{IN}$ ) is  $50\Omega$ :

$$V_{IN+} \text{ (or } V_{IN-}) = V_{IN} \cdot R_{IN} / (R_{IN} + R_S)$$

For *Figure 3*

$$V_{IN+} = 0.3 \text{ V}_{PP} \cdot 50 / (50 + 50) = 0.15 \text{ V}_{PP}$$

2. Calculate  $V_{OUT}$  knowing the Insertion Gain ( $A_{V\_DIFF}$ ):

$$V_{OUT} = (V_{IN} / 2) \cdot A_{V\_DIFF}$$

$$A_{V\_DIFF} = 2 \cdot R_F / (2R_S + R_{IN\_DIFF})$$

where  $R_F = 430\Omega$  &  $R_{IN\_DIFF} = 78\Omega$

For *Figure 3*

$$R_S = 50\Omega \rightarrow A_{V\_DIFF} = 4.83 \text{ V/V}$$

$$V_{OUT} = (0.3 \text{ V}_{PP} / 2) \cdot 4.83 \text{ V/V} = 724.5 \text{ mV}_{PP}$$

3. Determine the peak-to-peak differential current ( $I_{IN\_DIFF}$ ) through the device's differential input impedance ( $R_{IN\_DIFF}$ ) which would result in the  $V_{OUT}$  calculated in step 2:

$$I_{IN\_DIFF} = V_{OUT} / R_F$$

For *Figure 3*

$$I_{IN\_DIFF} = 724.5 \text{ mV}_{PP} / 430\Omega = 1.685 \text{ mA}_{PP}$$

4. Determine the swing across the input terminals ( $V_{IN\_DIFF}$ ) which would give rise to the  $I_{IN\_DIFF}$  calculated in step 3 above.

$$V_{IN\_DIFF} = I_{IN\_DIFF} \cdot R_{IN\_DIFF}$$

For *Figure 3*

$$V_{IN\_DIFF} = 1.685 \text{ mA}_{PP} \cdot 78\Omega = 131.4 \text{ mV}_{PP}$$

5. Calculate the undriven input's swing, based on  $V_{IN\_DIFF}$  determined in step 4 and  $V_{IN+}$  calculated in step 1:

$$V_{IN-} = V_{IN+} - V_{IN\_DIFF}$$

For *Figure 3*

$$V_{IN-} = 150 \text{ mV}_{PP} - 131.4 \text{ mV}_{PP} = 18.6 \text{ mV}_{PP}$$

6. Determine the DC average of the two inputs ( $V_{L\_CM}$ ) by using the following expression:

$$V_{L\_CM} = 12.6 \text{ mA} \cdot R_E \cdot R_S / (R_S + R_G + R_E)$$

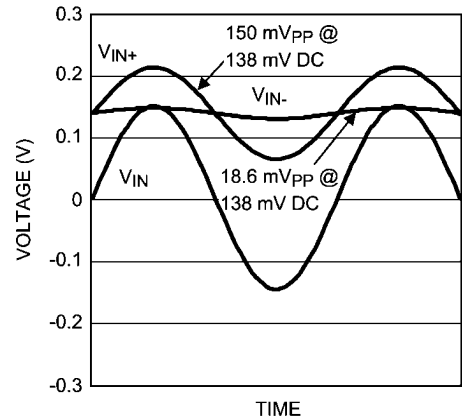
where  $R_E = 25\Omega$  &  $R_G = 39\Omega$  (both internal to the LMH6555)

For *Figure 3*

$$R_S = 50\Omega \rightarrow V_{L\_CM} = 15.75 / (R_S + 64)$$

$$V_{L\_CM} = 15.75 / (50 + 64) = 138.2 \text{ mV}$$

The values determined with the procedure outlined here are shown in *Figure 4*.

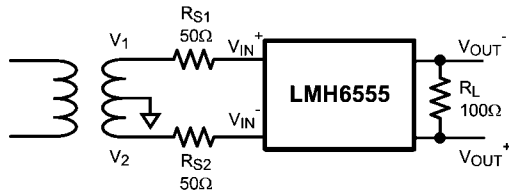


20127764

**FIGURE 4. Input Voltage for *Figure 3* Schematic**

## DIFFERENTIAL INPUT

The following is the procedure for determining the device operating conditions for differential input applications using the Figure 5 schematic as an example.



20127720

Assuming transformer secondary,  $V_{IN}$ , of 300 mV<sub>PP</sub>

**FIGURE 5. Differential Input Drive**

1. Calculate the swing across the input terminals ( $V_{IN\_DIFF}$ ) by considering the voltage division from the differential source ( $V_{IN}$ ) to the LMH6555 input terminals with differential input impedance  $R_{IN\_DIFF}$ :

$$V_{IN\_DIFF} = V_{IN} \cdot R_{IN\_DIFF} / (2R_S + R_{IN\_DIFF})$$

For Figure 5

$$V_{IN\_DIFF} = 300 \text{ mV}_{PP} \cdot 78 / (100 + 78) = 131.5 \text{ mV}_{PP}$$

2. Calculate each input pin swing to be  $\frac{1}{2}$  the swing determined in step 1:

$$V_{IN+} = V_{IN-} = V_{IN\_DIFF} / 2$$

For Figure 5

$$V_{IN+} = V_{IN-} = 131.5 \text{ mV}_{PP} / 2 = 65.7 \text{ mV}_{PP}$$

3. Determine the DC average of the two inputs ( $V_{I\_CM}$ ) by using the following expression:

$$V_{I\_CM} = 12.6 \text{ mA} \cdot R_E \cdot R_S / (R_S + R_G + R_E)$$

where  $R_E = 25\Omega$  &  $R_G = 39\Omega$  (both internal to the LMH6555)

For Figure 5

$$R_S = 50\Omega \rightarrow V_{I\_CM} = 15.75 / (R_S + 64)$$

$$V_{I\_CM} = 15.75 / (50 + 64) = 138.2 \text{ mV}$$

4. Calculate  $V_{OUT}$  knowing the Insertion Gain ( $A_{V\_DIFF}$ ):

$$V_{OUT} = (V_{IN} \cdot / 2) \cdot A_{V\_DIFF}$$

$$A_{V\_DIFF} = 2 \cdot R_F / (2R_S + R_{IN\_DIFF})$$

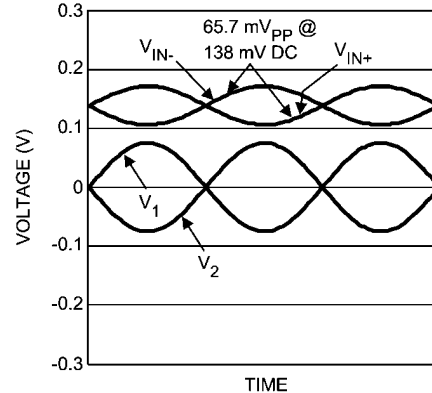
where  $R_F = 430\Omega$  &  $R_{IN\_DIFF} = 78\Omega$

For Figure 5

$$R_S = 50\Omega \rightarrow A_{V\_DIFF} = 4.83 \text{ V/V}$$

$$V_{OUT} = (0.3 \text{ V}_{PP} / 2) \cdot 4.83 \text{ V/V} = 724.5 \text{ mV}_{PP}$$

The values determined with the procedure outlined here are shown in Figure 6.



20127765

**FIGURE 6. Input Voltage for Figure 5 Schematic**

## SOURCE IMPEDANCE(S) AND THEIR EFFECT ON GAIN AND OFFSET

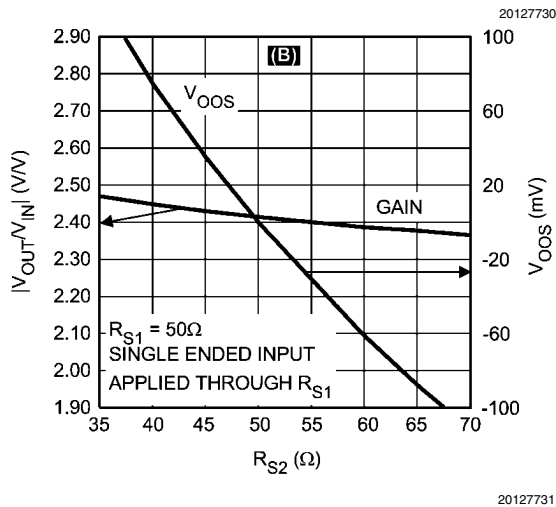
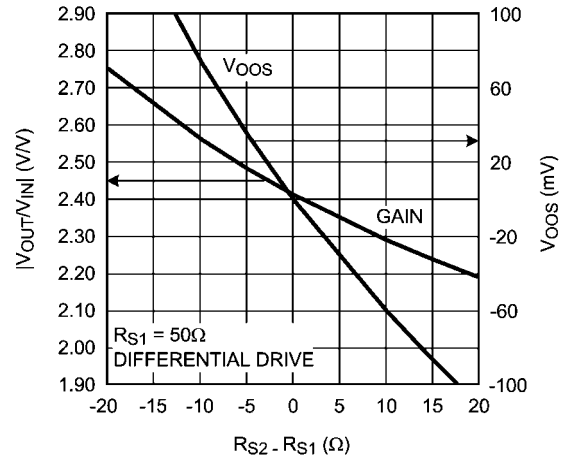
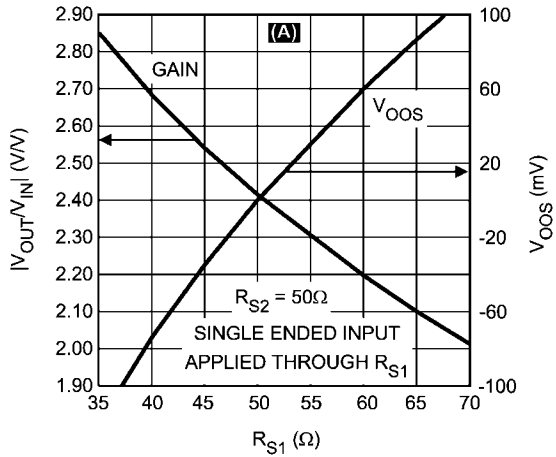
The source impedances  $R_{S1}$  and  $R_{S2}$ , as shown in Figure 3 or Figure 5, affect gain and output offset. The datasheet tables and typical performance graphs are generated with equal valued source impedances  $R_{S1}$  and  $R_{S2}$ , unless otherwise specified. Any mismatch between the values of these two impedances would alter the gain and offset voltage.

## OUTPUT OFFSET CONTROL AND ADJUSTMENT

There are applications which require that the LMH6555 differential output voltage be set by the user. An example of such an application is a unipolar signal which is converted to a differential output by the LMH6555. In order to utilize the full scale range of the ADC input, it is beneficial to shift the LMH6555 outputs to the limits of the ADC analog input range under minimal signal condition. That is, one LMH6555 output is shifted close to the negative limit of the ADC analog input and the other close to the positive limit of the ADC analog input. Then, under maximum signal condition, with proper gain, the full scale range of the ADC input can be traversed and the ADC input dynamic range is properly utilized. If this forced offset were not imposed, the ADC output codes would be reduced to half of what the ADC is capable of producing, resulting in a significant reduction in ENOB. The choice of the direction of this shift is determined by the polarity of the expected signal.

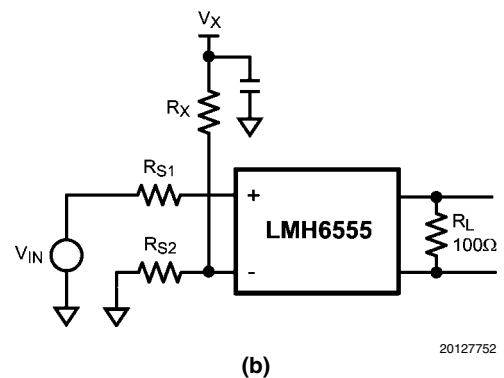
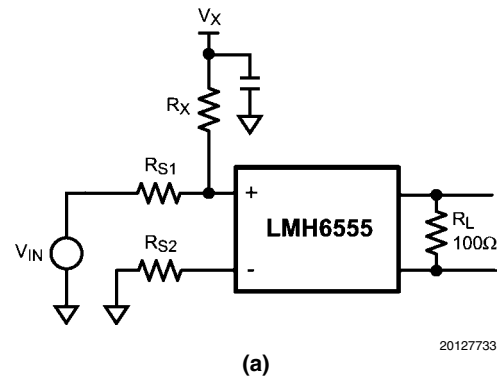
Another scenario where it may be necessary to shift the LMH6555 output offset voltage is in applications where it is necessary to improve the specified Output Offset Voltage (differential mode), " $V_{OOS}$ ". Some ADC's, including the ADC081000/ ADC081500 (and their dual counterparts), have internal registers to correct for the driver's (LMH6555)  $V_{OOS}$ . If the LMH6555  $V_{OOS}$  rating exceeds the maximum value allowed into this register, then shifting the output is required for maximum ADC performance.

It is possible to affect output offset voltage by manipulating the value of one input resistance relative to the other (e.g.  $R_{S1}$  relative to  $R_{S2}$  or vice versa). However, this will also alter the gain. Assuming that the source is applied to the  $V_{IN+}$  side through  $R_{S1}$ , Figure 7(A) shows the effect of varying  $R_{S1}$  on the overall gain and output offset voltage. Figure 7(B) shows the same effects but this time for when the undriven side impedance,  $R_{S2}$ , is varied.



**FIGURE 8. Gain & Output Offset Voltage vs. Source Impedance Shift for Differential Input Drive**

It is possible to manipulate output offset with little or no effect on source resistance balance, gain, and, cable termination.



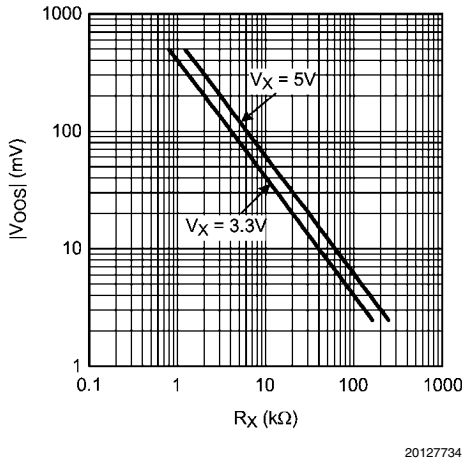
**FIGURE 7. Gain & Output Offset Voltage vs. Source Impedance Shift for Single Ended Input Drive**

As can be seen in *Figure 7*, the source impedance of the input side being driven has a bigger effect on gain than the undriven source impedance.  $R_{S1}$  and  $R_{S2}$  affect the output offset in opposite directions. Manipulating the value of  $R_{S2}$  for offset control has another advantage over doing the same to  $R_{S1}$  and that is the signal input termination is not affected by it. This is especially important in applications where the signal is applied to the LMH6555 through a transmission line which needs to be terminated in its characteristic impedance for minimum reflection.

For reference, *Figure 8* shows the effect of source impedance misbalance on overall gain and output offset voltage with differential input drive.

**FIGURE 9. Differential Output Shift Circuits**

$R_X$ , shown in *Figure 9(a)* and *Figure 9(b)*, injects current into the input to achieve the required output shift. For a positive shift, positive current would need to be injected into the  $V_{IN+}$  terminal (*Figure 9(a)*) and for a negative shift, to the  $V_{IN-}$  terminal (*Figure 9(b)*). *Figure 10* shows the effect of  $R_X$  on the output with  $V_X = 3.3V$  or  $5V$ , and  $R_{S1} = R_{S2} = 50\Omega$ .

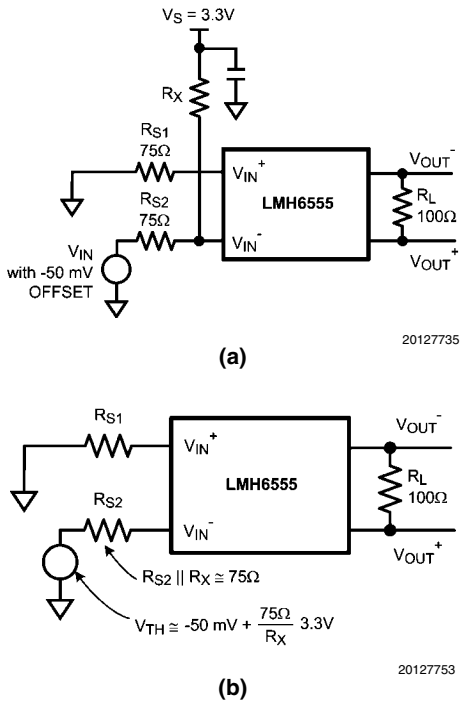


**FIGURE 10. LMH6555 Differential Output Shift Due to  $R_X$  in Figure 9**

To shift the LMH6555 differential output negative by about 100 mV, referring to the plot in Figure 10,  $R_X$  would be chosen to be around 3.9 kΩ in the schematic of Figure 9(b) (using  $V_X = V_S = 3.3V$ ).

In applications where  $V_{IN}$  has a built-in non-zero offset voltage, or when  $R_{S1}$  and  $R_{S2}$  are not 50Ω, the Figure 10 plot cannot be used to estimate the required value for  $R_X$ .

Consider the case of a more general offset correction application, shown in Figure 11(a), where  $R_{S1} = R_{S2} = 75\Omega$  and  $V_{IN}$  has a built-in offset of -50 mV. It is necessary to shift the differential output offset voltage of the LMH6555 to 0 mV. Figure 11(b) is the Thevenin equivalent of the circuit in Figure 11(a) assuming  $R_X \gg R_{S2}$ .



**FIGURE 11. Offset Correction Example ( $R_S = 75\Omega$ )**

From the gain expression in Equation 4 (see Appendix) (but with opposite polarity because  $V_{TH}$  is applied to  $V_{IN-}$  instead):

$$\frac{V_{OUT}}{V_{TH}} = \frac{-R_F}{2R_S + 78} \Rightarrow$$

$$V_{OUT} = \frac{-430\Omega}{(150 + 78)\Omega} \times \left( -50 \text{ mV} + \frac{75}{R_X} 3.3V \right) \quad (1)$$

The expression derived for  $V_{OUT}$  in Equation 1 can be set equal to zero to solve for  $R_X$  resulting in  $R_X = 4.95 \text{ k}\Omega$ . If the differential output offset voltage,  $V_{OOS}$ , is also known,  $V_{OUT}$  could be set to a value equal to  $-V_{OOS}$ . For example, if the  $V_{OOS}$  for the particular LMH6555 is +30 mV, then the following nulls the differential output:

$$V_{OUT} = -30 \text{ mV} = (-1.89) \left( -50 \text{ mV} + \frac{248}{R_X} \right)$$

$$\Rightarrow R_X = 3.76 \text{ k}\Omega \quad (2)$$

$R_X \gg R_{S2}$  confirming the assumption made in the derivation. Note that Equation 2, which is derived based on the configuration in Figure 9(b), will yield a real solution for  $R_X$  if and only if:

$$V_{OOS} \geq (V_{IN\_OFFSET} \times 1.89)$$

(for Figure 11(b) and with  $R_S = 75\Omega$ ) (3)

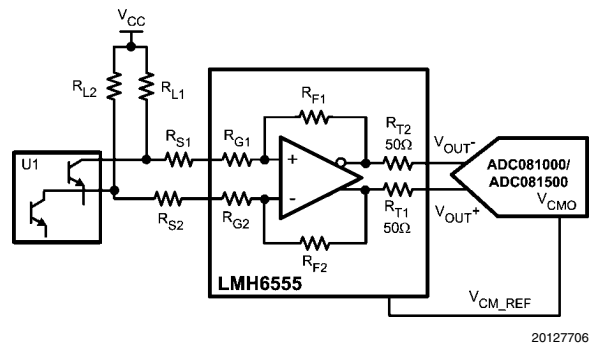
where  $V_{IN\_OFFSET}$  is the source offset shown as -50 mV in Figure 11(a).

If Equation 3 were not satisfied, then Figure 9(a) offset correction, where  $R_X$  is tied to the  $V_{IN+}$  side, should be employed instead.

Alternatively, replace the  $V_X$  and  $R_X$  combination with a discrete current source or current sink. Because of a current source's high output impedance, there will be less gain imbalance. However, a current source might have a relatively large output capacitance which could degrade high frequency performance.

**INTERFACE DESIGN EXAMPLE**

As shown in Figure 12 below, the LMH6555 can be used to interface an open collector output device (U1) to a high speed ADC. In this application, the LMH6555 performs the task of amplifying and driving the 100Ω differential input impedance of the ADC.



$V_{CM\_REF}$  buffer not shown

**FIGURE 12. Differential Amplification and ADC Drive**

For applications similar to the one shown in *Figure 12*, the following conditions should be maintained:

1. The LMH6555 differential output voltage has to comply with the ADC full scale voltage (800 mV<sub>PP</sub> in this case).
2. The LMH6555 input Common Mode Voltage Range is observed. "CMVR", as specified in the Electrical Characteristics table, is to be between -0.3V and 2.0V for the specified CMRR.
3. U1 collector voltage swing must be observed so that the U1 output transistors do not saturate. The expected operating range of these output transistors is defined by the specifications and operating conditions of U1.

Consider a numerical example ( $R_L$  refers to  $R_{L1}$  &  $R_{L2}$ ,  $R_S$  refers to  $R_{S1}$  &  $R_{S2}$ ).

Assume:

$V_{CC} = 10V$ , U1 peak-to-peak collector current ( $I_{PP}$ ) = 15 mA<sub>PP</sub> with 10 mA quiescent ( $I_{CQ}$ ), and minimum operational U1 collector voltage = 6V.

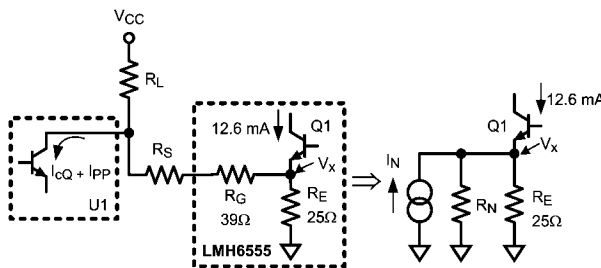
Here are the series of steps to take in order to carry out this design:

- a. Select the  $R_L$  value which allows compliance with the U1 collector voltage (6V in this case) with 1V extra as margin because of LMH6555 loading.

$$R_L = [10 - (6+1)] V / (10+ 7.5) mA = 171\Omega$$

Choose 169Ω, 1% resistors for  $R_L$

- b. Find the value of  $R_S$  to get the proper swing at the output (800 mV<sub>PP</sub>). To do so, convert the input stage into its Norton equivalent as shown in *Figure 13*.



$$I_N = \frac{1}{R_L + R_S + R_G} \left[ \underbrace{(V_{CC} - I_{CQ} R_L)}_{\text{COMMON MODE}} - \underbrace{I_{PP} R_L}_{\text{DIFFERENTIAL}} \right]$$

$$R_N = R_L + R_S + R_G$$

20127748

**FIGURE 13. Norton Equivalent of the Input Circuitry Tied to Q1 within the LMH6555 in *Figure 12***

$$I_N = I_N (\text{common mode}) + I_N (\text{differential})$$

$$I_N (\text{common mode}) = (V_{CC} - I_{CQ} R_L) / (R_L + R_S + R_G)$$

$$I_N (\text{differential}) = I_{PP} R_L / (R_L + R_S + R_G)$$

The entirety of the Norton source differential component will flow through the feedback resistors within the LMH6555 and generate an output. Therefore:

$$I_N (\text{differential}) * R_F = 800 mV_{PP}$$

$$\rightarrow R_S = (R_L * I_{PP} * R_F / 0.8) - R_G - R_L \text{ where } R_F = 430\Omega, R_G = 39\Omega \text{ (} R_F \text{ and } R_G \text{ are internal LMH6555 resistances)}.$$

So, in this case:

$$R_S = (169 * 15 mA_{PP} * 430 / 0.8) - 39 - 169 = 1154\Omega$$

Choose 1.15 kΩ, 1% resistors for  $R_S$ .

- c. With  $R_L$  and  $R_S$  defined, ensure that the U1 collector voltage(s) minimum is not violated due to the loading effect of the LMH6555 through  $R_S$ . Also, it is important to ensure that the LMH6555's CMVR is also not violated.

The "V<sub>x</sub>" node voltage within the LMH6555 (see *Figure 13*) would need to be calculated. Use the Common Mode component of the Norton equivalent source from above, and write the KCL at the V<sub>x</sub> node as follows:

$$V_x / R_E + V_x / R_N = 12.6 mA + I_N (\text{common mode}); \text{ with } R_E = 25\Omega.$$

$$V_x / R_E + V_x / R_N = 12.6 mA + (V_{CC} - I_{CQ} R_L) / (R_L + R_S + R_G)$$

$$\rightarrow V_x = 0.4595V$$

With  $V_x$  calculated, both the input voltage range (high and low) and the low end of the U1 collector voltage ( $V_C$ ) can be derived to be within the acceptable range. If necessary, steps "a" through "c" would have to be repeated to readjust these values.

$$V_C = V_x R_L / R_N + I_N (R_S + R_G)$$

$I_{N\_High} = 7.05 mA$ ,  $I_{N\_Low} = 5.19 mA$  (based on the values derived)

$$\rightarrow V_{C\_High} = 0.4595 * 169 / 1358 + 7.05 mA (1150 + 39) = 8.44V$$

$$\rightarrow V_{C\_Low} = 0.4595 * 169 / 1358 + 5.19 mA (1150 + 39) = 6.22V$$

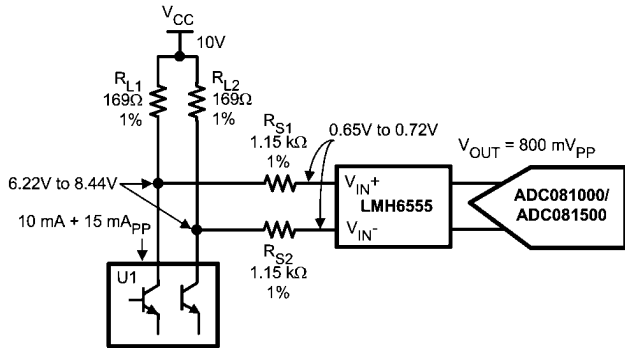
$$V_{IN} = V_x (R_N - R_G) / R_N + I_N R_G$$

$$\rightarrow V_{IN\_High} = 0.4595 * (1358 - 39) / 1358 + 7.05 mA * 39 = 0.721V$$

$$\rightarrow V_{IN\_Low} = 0.4595 * (1358 - 39) / 1358 + 5.19 mA * 39 = 0.649V$$

*Figure 14* shows the complete solution using the values derived above, with the node voltages marked on the schematic for reference.



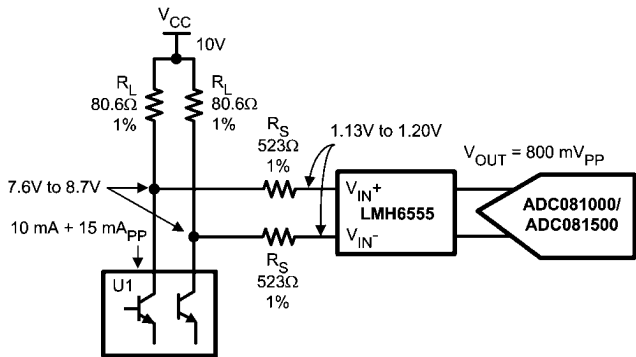


20127749

FIGURE 14. Implementation #1 of Figure 12 Design Example

It is important to note that the matching of the resistors on either input side of the LMH6555 ( $R_{S1}$  to  $R_{S2}$  and  $R_{L1}$  to  $R_{L2}$ ) is very important for output offset voltage and gain balance. This is particularly true with values of  $R_S$  higher than the nominal  $50\Omega$ . Therefore, in this example, 1% or better resistor values are specified.

If the U1 collector voltage turns out to be too low due to the loading of the LMH6555, lower  $R_L$ . Lower values of  $R_L$  result in lower  $R_S$  which in turn increases the LMH6555's  $V_{L,CM}$  because of increased pull up action towards  $V_{CC}$ . The upper limit on  $V_{L,CM}$  is 2V. Figure 15 shows the 2<sup>nd</sup> implementation of this same application with lowered values of  $R_L$  and  $R_S$ . Notice that the lower end of U1's collector voltage and the upper end of LMH6555's  $V_{L,CM}$  have both increased compared to the 1<sup>st</sup> implementation.



20127750

FIGURE 15. Implementation #2 of Figure 12 Design Example

An alternative would be to AC couple the LMH6555 inputs. With this approach, the design steps would be very similar to the ones outlined except that there would be no common mode interaction between the LMH6555 and U1 and this results in fewer design constraints:

$$V_x / R_E = 12.6 \text{ mA} \rightarrow V_x = 0.3150\text{V}$$

For the component values shown in Figure 15 use:

$$V_{C\_High} = V_{CC} - R_L (I_{CQ} + I_{PP} / 2 - I_N (\text{differential}) / 2)$$

$$V_{C\_Low} = V_{CC} - R_L (I_{CQ} - I_{PP} / 2 + I_N (\text{differential}) / 2)$$

$$I_N (\text{differential}) = I_{PP} * R_L / (R_L + R_S + R_G) = 1.88 \text{ mA (based on the values used.)}$$

$$\rightarrow V_{C\_High} = 10 - 80.6 (10 + 15 / 2 - 1.88 / 2) \text{ mA} = 8.67\text{V}$$

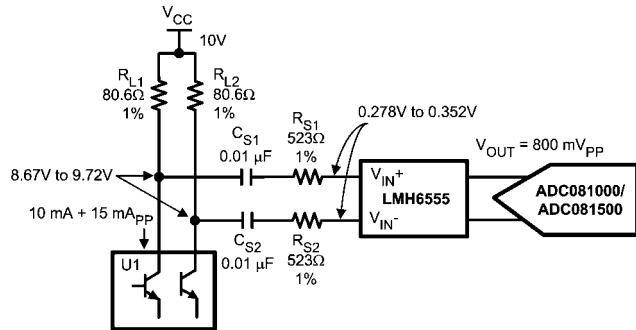
$$\rightarrow V_{C\_Low} = 10 - 80.6 (10 - 15 / 2 + 1.88 / 2) \text{ mA} = 9.72\text{V}$$

$$V_{IN} = V_x \pm R_G \cdot I_N (\text{differential}) / 2$$

$$\rightarrow V_{IN\_High} = 0.3150 + 39 * 1.88 \text{ mA} / 2 = 0.3517\text{V}$$

$$\rightarrow V_{IN\_Low} = 0.3150 - 39 * 1.88 \text{ mA} / 2 = 0.2783\text{V}$$

Figure 16 shows the AC coupled implementation of the Figure 15 schematic along with the node voltages marked to demonstrate the reduced  $V_{L,CM}$  of the LMH6555 and the increase in the U1 collector voltage minimum.



20127751

FIGURE 16. AC Coupled Version of Figure 15

Note that the lower cut-off frequency is:

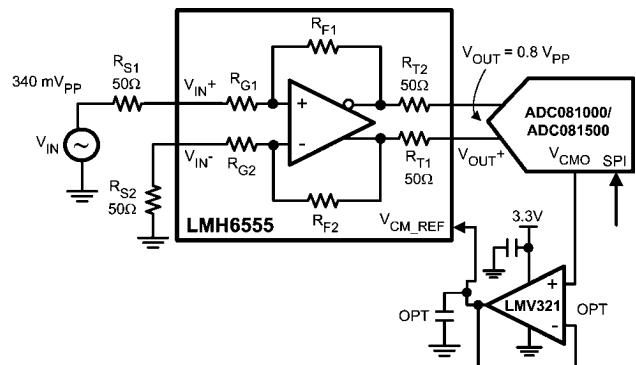
$$f_{\text{cut-off}} = 1 / (\pi \text{Req} C_S) \text{ where Req} = R_{S1} + R_{S2} + R_{IN\_DIFF} \text{ where } R_{IN\_DIFF} \approx 78\Omega$$

So, for the component values shown ( $C_S = 0.01 \mu\text{F}$  and  $R_{S1} = R_{S2} = 523\Omega$ ):

$$f_{\text{cut-off}} = 28.2 \text{ kHz}$$

### DATA ACQUISITION APPLICATIONS

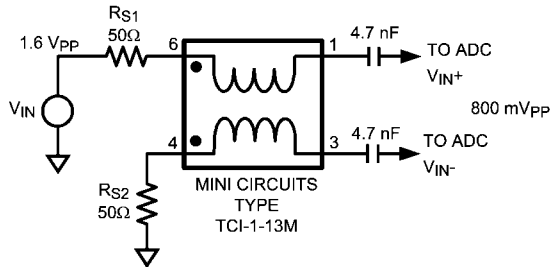
Figure 17 shows the LMH6555 used as the differential driver to the National Semiconductor ADC081500 running at 1.5G samples/second.



20127704

FIGURE 17. Schematic of the LMH6555 Interfaced to the ADC081500

In the schematic of *Figure 17*, the LMH6555 converts a single ended input into a differential output for direct interface to the ADC's 100Ω differential input. An alternative approach to using the LMH6555 for this purpose, would have been to use a balun transformer, as shown in *Figure 18*.



20127777

**FIGURE 18. Single Ended to Differential Conversion (AC only) with a Balun Transformer**

In the circuit of *Figure 18*, the ADC will see a 100Ω differential driver which will swing the required 800 mV<sub>PP</sub> when V<sub>IN</sub> is 1.6 V<sub>PP</sub>. The source (V<sub>IN</sub>) will see an overall impedance of 200Ω for the frequency range that the transformer is specified to operate. Note that with this scheme, the signal to the ADC must be AC coupled, because of the transformer's minimum operating frequency which would prevent DC coupling. For the transformer specified, the lower operating frequency is around 4.5 MHz and the input high pass filter's -3 dB bandwidth is around 340 kHz for the values shown (or (1/πR<sub>EQ</sub>C) Hz where R<sub>EQ</sub> = 200Ω).

*Table 1* compares the LMH6555 solution (*Figure 17*) vs. that of the balun transformer coupling (*Figure 18*) for various categories.

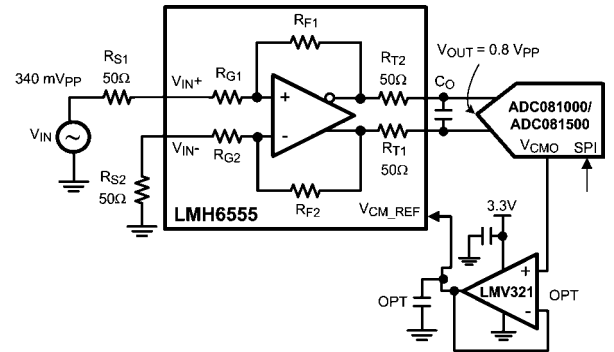
**TABLE 1. ADC Input Coupling Schemes Compared**

Category	Preferred Solution	
	LMH6555	Balun Transformer
Lower Power Consumption		✓
Lower Distortion		✓
Wider Dynamic Range	✓	
DC Coupling & Broadband Applications	✓	
Highest Gain & Phase Balance	✓	
Input/ Output Broadband Impedance Matching (Highest Return Loss)	✓	
Additional Gain	✓	
ADC Input Protection against Overdrive	✓	
Highest SNR	✓	
Ability to Control Gain Flatness	✓ (see below)	

**GAIN FLATNESS**

In applications where the full 1.2 GHz bandwidth of the LMH6555 is not necessary, it is possible to improve the gain flatness frequency at the expense of bandwidth. *Figure 19*

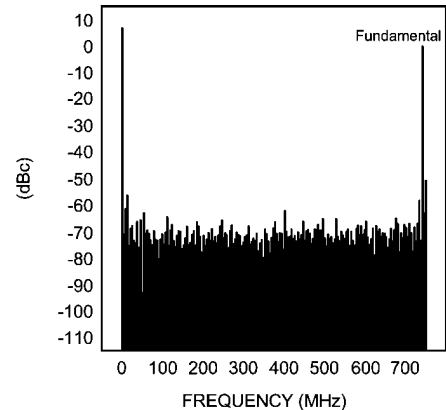
shows C<sub>O</sub> placed across the LMH6555 output terminals to reduce the frequency response gain peaking and thereby to increase the ±0.5 dB gain flatness frequency.



20127776

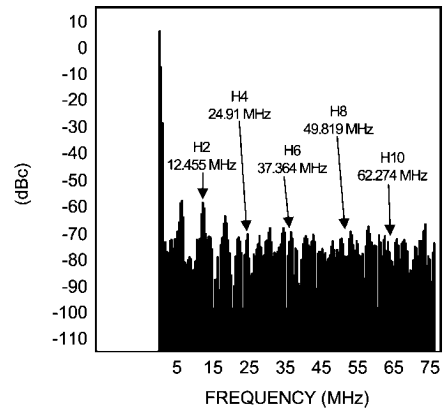
**FIGURE 19. Increasing ±0.5 dB Gain Flatness using External Output Capacitance, C<sub>O</sub>**

*Figures 20, 21* and *Figure 22* show the FFT analysis results with the setup shown in *Figure 17*.



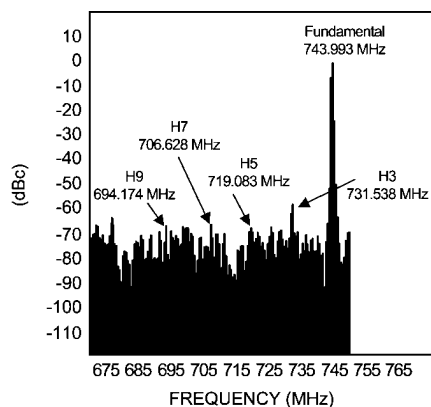
20127743

**FIGURE 20. LMH6555 FFT Result When Used as the Differential Driver to ADC081500**



20127744

**FIGURE 21. LMH6555 FFT Result When Used as the Differential Driver to ADC081500 (Lower Fs/2 Region Magnified)**



20127745

**FIGURE 22. LMH6555 FFT Result When Used as the Differential Driver to ADC081500 (Upper  $F_s/2$  Region Magnified)**

Figures 20, 21, and Figure 22 information summary:

- Fundamental Test Frequency: 744 MHz
- LMH6555 Output:  $0.8 V_{PP}$
- Sampling Rate: 1.5G samples/ second
- 2<sup>nd</sup> Harmonic: -59 dBc @ ~ 12 MHz or 11.5 GHz\*1– 744 MHz\*21
- 3<sup>rd</sup> Harmonic: -57 dBc @ ~ 732 MHz or 11.5 GHz\*1- 744 MHz \*31
- 4<sup>th</sup> Harmonic: -71 dBc @ ~ 24 MHz or 11.5 GHz\*2 – 744 MHz \*41
- 5<sup>th</sup> Harmonic: -68 dBc @ ~ 720 MHz or 11.5 GHz\*2- 744 MHz\*51
- 6<sup>th</sup> Harmonic: -68 dBc @ ~ 36 MHz or 11.5 GHz\*3- 744 MHz\*61
- THD: -51.8 dBc
- SNR: 43.4 dB
- Spurious Free Dynamic Range (SFDR): 57 dB
- SINAD: 42.8 dB
- ENOB: 6.8 bits

The LMH6555 is capable of driving a variety of National Semiconductor Analog to Digital Converters. This is shown in Table 2, which offers a complete list of possible signal path ADC+ Amplifier combinations. The use of the LMH6555 to

drive an ADC is determined by the application and the desired sampling process (Nyquist operation, sub-sampling or over-sampling). See application note (AN-236) for more details on the sampling processes and application note (AN-1393) for details on “Using High Speed Differential Amplifiers to Drive ADCs”. For more information regarding a particular ADC, refer to the particular ADC datasheet for details.

**TABLE 2. Differential Input ADC’s Compatible with the LMH6555 Driver**

ADC Part Number	Resolution (bits)	Single/Dual	Speed (MSPS)
ADC08D500	8	S	500
ADC081000	8	S	1000
ADC08D1000	8	D	1000
ADC08D1020	8	D	1000
ADC081500	8	S	1500
ADC08D1500	8	D	1500
ADC08D1520	8	D	1500
ADC083000	8	S	3000
ADC08B3000	8	S	3000

#### EXPOSED PAD LLP PACKAGE

The LMH6555 is in a thermally enhanced package. The exposed pad (device bottom) is connected to the GND pins. It is recommended, but not necessary, that the exposed pad be connected to the supply ground plane. The thermal dissipation of the device is largely dependent on the connection of this pad. The exposed pad should be attached to as much copper on the circuit board as possible, preferably external copper. However, it is very important to maintain good high speed layout practices when designing a system board.

Here is a link to more information on the National 16-pin LLP package:

<http://www.national.com/packaging/folders/sqa16a.html>

#### EVALUATION BOARD

National Semiconductor suggests the following evaluation board as a guide for high frequency layout and as an aid in device testing and characterization.

Device	Package	Evaluation Board Ordering ID
LMH6555	16-Pin LLP	LMH6555EVAL

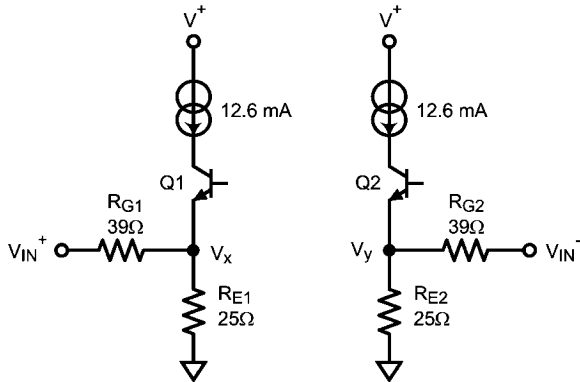
The evaluation board can be ordered when a device sample request is placed with National Semiconductor.

## Appendix

Here is a more detailed analysis of the LMH6555, including the derivation of the expressions used throughout the Application Information.

### INPUT STAGE

Because of the input stage cross-coupling, if the instantaneous values of the input node voltages ( $V_{IN+}$  and  $V_{IN-}$ ) and current values are required, use the circuit of *Figure 23* as the equivalent input stage for each input ( $V_{IN+}$  and  $V_{IN-}$ ).



20127709

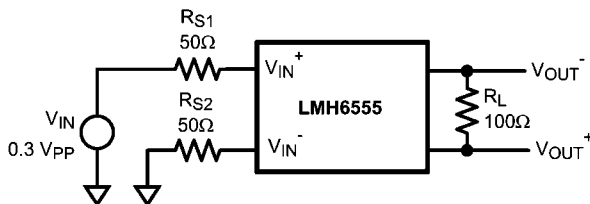
FIGURE 23. Equivalent Input Stage

Using this simplified circuit, one can assume a constant collector current, to simplify the analysis. This is a valid approximation as the large open loop gain of the device will keep the two collector currents relatively constant. First derive Q1 and Q2 emitter voltages. From there, derive the voltages at  $V_{IN+}$  and  $V_{IN-}$ .

With the component values shown, it is possible to analyze the input circuits of *Figure 23* in order to determine Q1 and Q2 emitter voltages. This will result in a first order estimate of Q1 and Q2 emitter voltages. Since Q1 and Q2 emitters are cross-coupled, the voltages derived would have to be equal. With the action of the common mode amplifier, “ $A_{CM}$ ”, shown in *Figure 2*, these two emitters will be equalized. So, one other iteration can be performed whereby both emitters are set to be equal to the average of the 1<sup>st</sup> derived emitter voltages. Using this new emitter voltage, one could recalculate  $V_{IN+}$  and  $V_{IN-}$  voltages. The values derived in this fashion will be within  $\pm 10\%$  of the measured values.

### Single Ended Input Analysis

Here is an actual example to further clarify the procedure. Consider the case where the LMH6555 is used as a single ended to differential converter shown in *Figure 24*.



20127710

FIGURE 24. Single Ended Input Drive

The first task would be to derive the internal transistor emitter voltages based on the schematic of *Figure 23* (assuming that there is no interaction between the stages.) Here is the derivation of  $V_x$  and  $V_y$ :

$$\frac{V_x}{25} + \frac{V_x \mp 0.15}{89} = 12.6 \text{ mA} \Rightarrow V_x = \begin{cases} 0.279\text{V} \\ 0.213\text{V} \end{cases}$$

$$\frac{V_y}{25} + \frac{V_y}{89} = 12.6 \text{ mA} \Rightarrow V_y = 0.246\text{V}$$

$V_x$  varies with  $V_{IN+}$  (0.213V with negative  $V_{IN}$  swing and 0.279V with positive.) The values derived above assume that the two halves of the input circuit do not interact with each other. They do through the common mode amplifier and the input stage cross-coupling.  $V_x$  and  $V_y$  are equal to the average of  $V_y$  with either end of the swing of  $V_x$ . This is calculated below along with the derivation of  $V_{IN+}$  and  $V_{IN-}$  based on this new average emitter voltage (the average of  $V_x$  and  $V_y$ .)

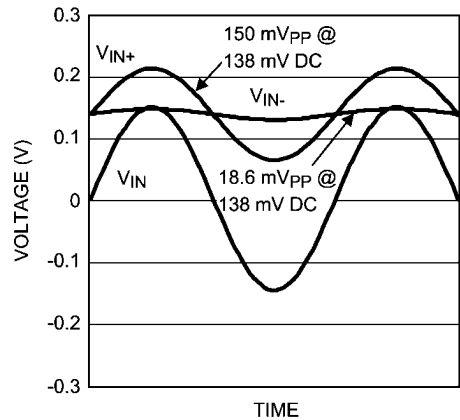
$$\frac{V_x + V_y}{2} = \begin{cases} \frac{0.279 + 0.246}{2} = 0.262\text{V} \\ \frac{0.213 + 0.246}{2} = 0.229\text{V} \end{cases} = \text{Emitter Voltage Swing}$$

$$V_{IN+} = \pm 0.15\text{V} - 50 \frac{\pm 0.262\text{V} - \begin{cases} 0.262\text{V} \\ 0.229\text{V} \end{cases}}{89}$$

$$V_{IN+} = \begin{cases} 0.213\text{V} \\ 63.2 \text{ mV} \end{cases} ; V_{IN-} = \frac{50}{89} \times \begin{cases} 0.262\text{V} \\ 0.229\text{V} \end{cases}$$

$$V_{IN-} = \begin{cases} 0.147\text{V} \\ 0.129\text{V} \end{cases}$$

With 0.3  $V_{PP}$   $V_{IN+}$ ,  $V_{IN+}$  experiences 150 mV $_{PP}$  (213 mV - 63.2 mV) of swing and  $V_{IN-}$  will swing by about 18.6 mV $_{PP}$  in the process (147 mV - 129 mV). The input voltages are shown in *Figure 25*.



20127764

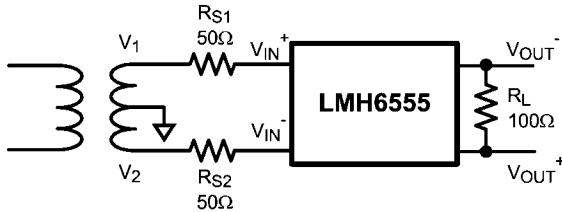
FIGURE 25. Input Voltages for *Figure 24* Schematic

Using the calculated swing on  $V_{IN+}$  with known  $V_{IN-}$ , one can estimate the input impedance,  $R_{IN}$  as follows:

$$R_{IN} = \frac{\Delta V_{IN+}}{\Delta I_{IN+}} = \frac{150 \text{ mV}}{(-1.26 + 4.26) \text{ mA}} = 50\Omega$$

**Differential Input Analysis**

Assume that the LMH6555 is used as a differential amplifier with a transformer with its Center Tap at ground as shown in Figure 26:



20127720

Assuming transformer secondary,  $V_{IN-}$  of 300 mV<sub>PP</sub>

**FIGURE 26. Differential Input Drive**

The input voltages ( $V_{IN+}$  and  $V_{IN-}$ ) can be derived using the technique explained previously. Assuming no transformer output and referring to the schematic of Figure 23:

$$\frac{V_x}{25} + \frac{V_x}{50 + 39} = 12.6 \text{ mA} \Rightarrow V_x = V_y = 0.246\text{V}$$

$$V_{IN+} = \frac{50}{50 + 39} \times 0.246 \Rightarrow V_{IN+} = V_{IN-} = 0.138\text{V}$$

The peak  $V_{IN+}$  and  $V_{IN-}$  voltages can be determined using the transformer output voltage. Assuming there is 0.3 V<sub>PP</sub> of signal across the transformer secondary, 1/2 of that, or 0.15 V<sub>PP</sub> ( $\pm 75 \text{ mV}$  peak), would appear at each input side ( $V_1$  or  $V_2$  in Figure 26). Here is the derivation of the LMH6555 input terminal's peak voltages.

$$\frac{V_x}{25} + \frac{V_x \pm 0.075}{89} = 12.6 \text{ mA} \Rightarrow V_x = \begin{cases} 262.4 \text{ mV} \\ 229.5 \text{ mV} \end{cases}$$

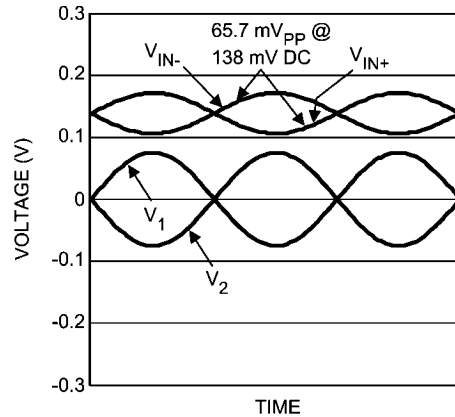
When  $V_1$  swings positive,  $V_2$  will go negative by the same value, and vice versa. Therefore, the values derived above for  $V_x$  can be used to determine the average emitter voltage, as described earlier:

$$\frac{V_x + V_y}{2} = \frac{262.4 \text{ mV} + 229.5 \text{ mV}}{2} = 245.9 \text{ mV} = \text{Emitter Voltage}$$

$$V_{IN+} = \pm 75 \text{ mV} - 50 \frac{\pm 75 \text{ mV} - 245.9 \text{ mV}}{89}$$

$$V_{IN+} = \begin{cases} 171.0 \text{ mV} \\ 105.3 \text{ mV} \end{cases} \text{ and by symmetry: } V_{IN-} = \begin{cases} 105.3 \text{ mV} \\ 171.0 \text{ mV} \end{cases}$$

With the transformer voltage of 0.3 V<sub>PP</sub>, each input ( $V_{IN+}$  and  $V_{IN-}$ ) swings from 105.3 mV to 171.0 mV or about 65.7 mV<sub>PP</sub>. The input voltages are shown in Figure 27.



20127765

**FIGURE 27. Input Voltages for Figure 26 Schematic**

Knowing the device input terminal voltages, one can estimate the differential input impedance as follows:

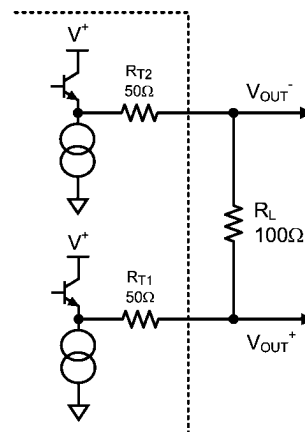
$$\frac{R_{IN\_DIFF}}{R_{IN\_DIFF} + 100} = \frac{0.131 V_{PP}}{0.3 V_{PP}} \Rightarrow R_{IN\_DIFF} = 78\Omega$$

This is comparable to  $R_{IN\_DIFF}$  found in the Electrical Characteristic table.

**OUTPUT STAGE AND GAIN ANALYSIS**

Differential gain is determined by the differential current flow through the feedback resistors  $R_{F1}$  and  $R_{F2}$  as shown in Figure 2. Current through  $R_{F1}$  (or  $R_{F2}$ ) sets the  $V_{OUT-}$  (or  $V_{OUT+}$ ) swing. The nominal value of these resistors is close to 430Ω.

The LMH6555 output stage consists of two bipolar common emitter amplifiers with built in output resistances,  $R_{T1}$  and  $R_{T2}$ , of 50Ω, as shown in Figure 28.



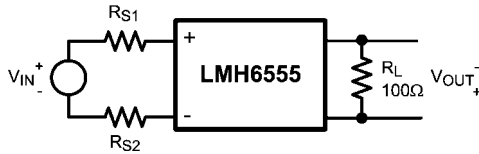
20127725

**FIGURE 28. Output Stage Including External Load  $R_L$**

With an output differential load,  $R_L$ , of  $100\Omega$ , half the differential swing between the output emitters appears at the LMH6555 output terminals as  $V_{OUT}$ .

With good matching between the input source impedances,  $R_{S1}$  and  $R_{S2}$  shown in *Figure 24* and *Figure 26*, it is possible to infer the gain and output swing by inspection. The differential input impedance of the LMH6555,  $R_{IN\_DIFF}$ , is close to  $78\Omega$ .

In differential input drive applications, there is a balanced swing across the input terminals of the LMH6555,  $V_{IN+}$  and  $V_{IN-}$ . So, by using the  $R_{IN\_DIFF}$  value, one determines the differential current flow through the input terminals and from that the output swing and gain.



$$V_{OUT} = \frac{V_{IN} \times R_F}{2R_S + R_{IN\_DIFF}}$$

$$\frac{V_{OUT}}{V_{IN}} = \frac{R_F}{2R_S + 78\Omega} = \frac{430\Omega}{2R_S + 78\Omega} \quad (4)$$

For the special case where  $R_{S1} = R_{S2} = R_S = 50\Omega$  we have:

$$\text{for } R_S = 50\Omega \Rightarrow \frac{V_{OUT}}{V_{IN}} = \frac{430}{178} = 2.42 \text{ V/V}$$

The following is the expression for the Insertion Gain,  $A_{V\_DIFF}$ :

$$\begin{aligned} A_{V\_DIFF} &= \frac{V_{OUT}}{V_{IN} \times \frac{100\Omega}{2R_S + 100}} \\ &= \frac{V_{OUT}/V_{IN}}{100/200} = 2 V_{OUT}/V_{IN} = 4.83 \text{ V/V} \\ &= 13.7 \text{ dB} \end{aligned}$$

The expressions above apply equally to the single ended input drive case as well, as long as  $R_{S1} = R_{S2} = 50\Omega$ . For the case of the single ended input drive:

$$\begin{aligned} A_{V\_DIFF} &= \frac{V_{OUT}}{V_{IN} \times \frac{50}{R_S + 50}} \\ &= \frac{V_{OUT}/V_{IN}}{50/100} = 2 V_{OUT}/V_{IN} = 4.83 \text{ V/V} \\ &= 13.7 \text{ dB} \end{aligned}$$

This is comparable to  $A_{V\_DIFF}$  found in the Electrical Characteristic table.



## Notes

For more National Semiconductor product information and proven design tools, visit the following Web sites at:

Products		Design Support	
Amplifiers	<a href="http://www.national.com/amplifiers">www.national.com/amplifiers</a>	WEBENCH	<a href="http://www.national.com/webench">www.national.com/webench</a>
Audio	<a href="http://www.national.com/audio">www.national.com/audio</a>	Analog University	<a href="http://www.national.com/AU">www.national.com/AU</a>
Clock Conditioners	<a href="http://www.national.com/timing">www.national.com/timing</a>	App Notes	<a href="http://www.national.com/appnotes">www.national.com/appnotes</a>
Data Converters	<a href="http://www.national.com/adc">www.national.com/adc</a>	Distributors	<a href="http://www.national.com/contacts">www.national.com/contacts</a>
Displays	<a href="http://www.national.com/displays">www.national.com/displays</a>	Green Compliance	<a href="http://www.national.com/quality/green">www.national.com/quality/green</a>
Ethernet	<a href="http://www.national.com/ethernet">www.national.com/ethernet</a>	Packaging	<a href="http://www.national.com/packaging">www.national.com/packaging</a>
Interface	<a href="http://www.national.com/interface">www.national.com/interface</a>	Quality and Reliability	<a href="http://www.national.com/quality">www.national.com/quality</a>
LVDS	<a href="http://www.national.com/lvds">www.national.com/lvds</a>	Reference Designs	<a href="http://www.national.com/refdesigns">www.national.com/refdesigns</a>
Power Management	<a href="http://www.national.com/power">www.national.com/power</a>	Feedback	<a href="http://www.national.com/feedback">www.national.com/feedback</a>
Switching Regulators	<a href="http://www.national.com/switchers">www.national.com/switchers</a>		
LDOs	<a href="http://www.national.com/ldo">www.national.com/ldo</a>		
LED Lighting	<a href="http://www.national.com/led">www.national.com/led</a>		
PowerWise	<a href="http://www.national.com/powerwise">www.national.com/powerwise</a>		
Serial Digital Interface (SDI)	<a href="http://www.national.com/sdi">www.national.com/sdi</a>		
Temperature Sensors	<a href="http://www.national.com/tempsensors">www.national.com/tempsensors</a>		
Wireless (PLL/VCO)	<a href="http://www.national.com/wireless">www.national.com/wireless</a>		

THE CONTENTS OF THIS DOCUMENT ARE PROVIDED IN CONNECTION WITH NATIONAL SEMICONDUCTOR CORPORATION ("NATIONAL") PRODUCTS. NATIONAL MAKES NO REPRESENTATIONS OR WARRANTIES WITH RESPECT TO THE ACCURACY OR COMPLETENESS OF THE CONTENTS OF THIS PUBLICATION AND RESERVES THE RIGHT TO MAKE CHANGES TO SPECIFICATIONS AND PRODUCT DESCRIPTIONS AT ANY TIME WITHOUT NOTICE. NO LICENSE, WHETHER EXPRESS, IMPLIED, ARISING BY ESTOPPEL OR OTHERWISE, TO ANY INTELLECTUAL PROPERTY RIGHTS IS GRANTED BY THIS DOCUMENT.

TESTING AND OTHER QUALITY CONTROLS ARE USED TO THE EXTENT NATIONAL DEEMS NECESSARY TO SUPPORT NATIONAL'S PRODUCT WARRANTY. EXCEPT WHERE MANDATED BY GOVERNMENT REQUIREMENTS, TESTING OF ALL PARAMETERS OF EACH PRODUCT IS NOT NECESSARILY PERFORMED. NATIONAL ASSUMES NO LIABILITY FOR APPLICATIONS ASSISTANCE OR BUYER PRODUCT DESIGN. BUYERS ARE RESPONSIBLE FOR THEIR PRODUCTS AND APPLICATIONS USING NATIONAL COMPONENTS. PRIOR TO USING OR DISTRIBUTING ANY PRODUCTS THAT INCLUDE NATIONAL COMPONENTS, BUYERS SHOULD PROVIDE ADEQUATE DESIGN, TESTING AND OPERATING SAFEGUARDS.

EXCEPT AS PROVIDED IN NATIONAL'S TERMS AND CONDITIONS OF SALE FOR SUCH PRODUCTS, NATIONAL ASSUMES NO LIABILITY WHATSOEVER, AND NATIONAL DISCLAIMS ANY EXPRESS OR IMPLIED WARRANTY RELATING TO THE SALE AND/OR USE OF NATIONAL PRODUCTS INCLUDING LIABILITY OR WARRANTIES RELATING TO FITNESS FOR A PARTICULAR PURPOSE, MERCHANTABILITY, OR INFRINGEMENT OF ANY PATENT, COPYRIGHT OR OTHER INTELLECTUAL PROPERTY RIGHT.

### LIFE SUPPORT POLICY

**NATIONAL'S PRODUCTS ARE NOT AUTHORIZED FOR USE AS CRITICAL COMPONENTS IN LIFE SUPPORT DEVICES OR SYSTEMS WITHOUT THE EXPRESS PRIOR WRITTEN APPROVAL OF THE CHIEF EXECUTIVE OFFICER AND GENERAL COUNSEL OF NATIONAL SEMICONDUCTOR CORPORATION.** As used herein:

Life support devices or systems are devices which (a) are intended for surgical implant into the body, or (b) support or sustain life and whose failure to perform when properly used in accordance with instructions for use provided in the labeling can be reasonably expected to result in a significant injury to the user. A critical component is any component in a life support device or system whose failure to perform can be reasonably expected to cause the failure of the life support device or system or to affect its safety or effectiveness.

National Semiconductor and the National Semiconductor logo are registered trademarks of National Semiconductor Corporation. All other brand or product names may be trademarks or registered trademarks of their respective holders.

Copyright© 2007 National Semiconductor Corporation

For the most current product information visit us at [www.national.com](http://www.national.com)



**National Semiconductor Americas Customer Support Center**  
 Email: [new.feedback@nsc.com](mailto:new.feedback@nsc.com)  
 Tel: 1-800-272-9959

**National Semiconductor Europe Customer Support Center**  
 Fax: +49 (0) 180-530-85-86  
 Email: [europe.support@nsc.com](mailto:europe.support@nsc.com)  
 Deutsch Tel: +49 (0) 69 9508 6208  
 English Tel: +49 (0) 870 24 0 2171  
 Français Tel: +33 (0) 1 41 91 8790

**National Semiconductor Asia Pacific Customer Support Center**  
 Email: [ap.support@nsc.com](mailto:ap.support@nsc.com)

**National Semiconductor Japan Customer Support Center**  
 Fax: 81-3-5639-7507  
 Email: [jpn.feedback@nsc.com](mailto:jpn.feedback@nsc.com)  
 Tel: 81-3-5639-7560