

# PMV65XP

P-channel TrenchMOS™ extremely low level FET

Rev. 01 — 28 September 2004

Product data sheet

## 1. Product profile

### 1.1 General description

P-channel enhancement mode field effect transistor in a plastic package using TrenchMOS™ technology.

### 1.2 Features

- Low threshold voltage
- Low on-state resistance.

### 1.3 Applications

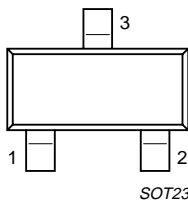
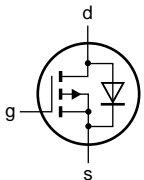
- Low power DC-to-DC converters
- Battery management
- Load switching
- Battery powered portable equipment.

### 1.4 Quick reference data

- $V_{DS} \leq -20$  V
- $I_D \leq -3.9$  A
- $R_{DSon} \leq 76$  m $\Omega$
- $Q_{gd} = 0.65$  nC (typ).

## 2. Pinning information

Table 1: Discrete pinning

Pin	Description	Simplified outline	Symbol
1	gate (g)	 <p>SOT23</p>	 <p>003aaa671</p>
2	source (s)		
3	drain (d)		

PHILIPS

### 3. Ordering information

**Table 2: Ordering information**

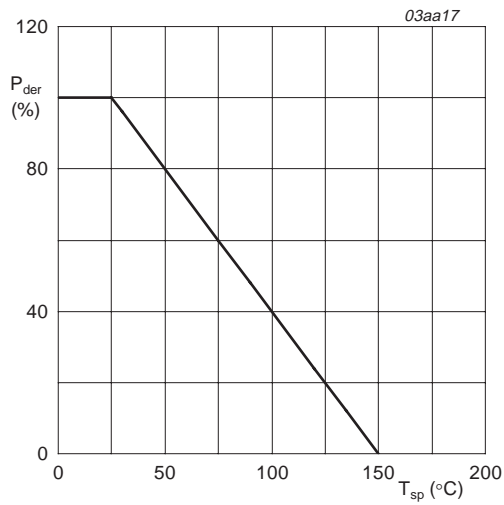
Type number	Package		
	Name	Description	Version
PMV65XP	SOT23	Plastic surface mounted package; 3 leads	SOT23

### 4. Limiting values

**Table 3: Limiting values**

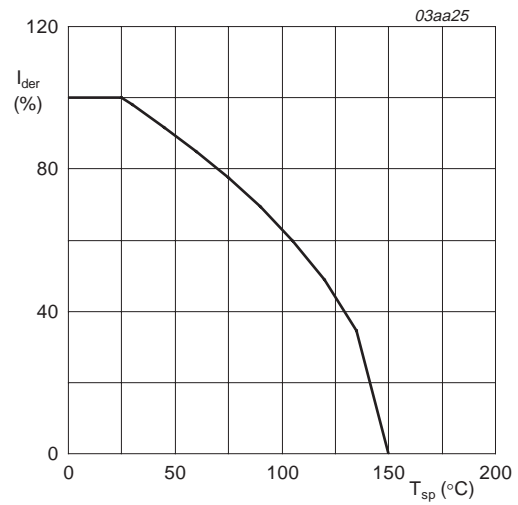
In accordance with the Absolute Maximum Rating System (IEC 60134).

Symbol	Parameter	Conditions	Min	Max	Unit
$V_{DS}$	drain-source voltage (DC)	$25\text{ °C} \leq T_j \leq 150\text{ °C}$	-	-20	V
$V_{DGR}$	drain-gate voltage (DC)	$25\text{ °C} \leq T_j \leq 150\text{ °C}$ ; $R_{GS} = 20\text{ k}\Omega$	-	-20	V
$V_{GS}$	gate-source voltage (DC)		-	$\pm 12$	V
$I_D$	drain current (DC)	$T_{sp} = 25\text{ °C}$ ; $V_{GS} = -4.5\text{ V}$ ; <a href="#">Figure 2</a> and <a href="#">3</a>	-	-3.9	A
		$T_{sp} = 100\text{ °C}$ ; $V_{GS} = -4.5\text{ V}$ ; <a href="#">Figure 2</a>	-	-2.5	A
$I_{DM}$	peak drain current	$T_{sp} = 25\text{ °C}$ ; pulsed; $t_p \leq 10\text{ }\mu\text{s}$ ; <a href="#">Figure 3</a>	-	-15.9	A
$P_{tot}$	total power dissipation	$T_{sp} = 25\text{ °C}$ ; <a href="#">Figure 1</a>	-	1.92	W
$T_{stg}$	storage temperature		-55	+150	°C
$T_j$	junction temperature		-55	+150	°C
<b>Source-drain diode</b>					
$I_S$	source (diode forward) current (DC)	$T_{sp} = 25\text{ °C}$	-	-1.6	A
$I_{SM}$	peak source (diode forward) current	$T_{sp} = 25\text{ °C}$ ; pulsed; $t_p \leq 10\text{ }\mu\text{s}$	-	-6.4	A



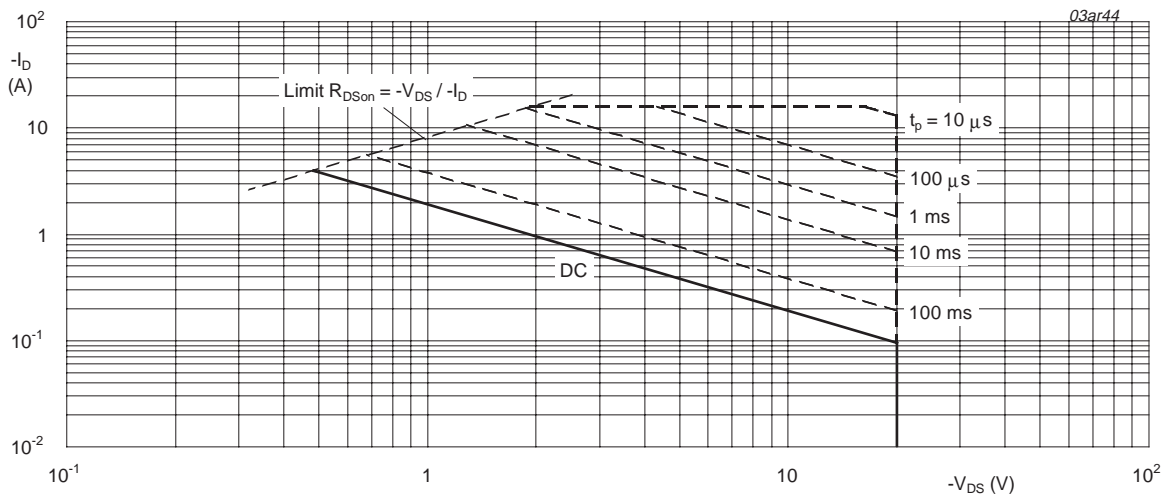
$$P_{der} = \frac{P_{tot}}{P_{tot(25^{\circ}C)}} \times 100\%$$

Fig 1. Normalized total power dissipation as a function of solder point temperature.



$$I_{der} = \frac{I_D}{I_{D(25^{\circ}C)}} \times 100\%$$

Fig 2. Normalized continuous drain current as a function of solder point temperature.



T<sub>sp</sub> = 25 °C; I<sub>DM</sub> is single pulse; V<sub>GS</sub> = -4.5 V

Fig 3. Safe operating area; continuous and peak drain currents as a function of drain-source voltage.

## 5. Thermal characteristics

Table 4: Thermal characteristics

Symbol	Parameter	Conditions	Min	Typ	Max	Unit
$R_{th(j-sp)}$	thermal resistance from junction to solder point	Figure 4	-	-	65	K/W

### 5.1 Transient thermal impedance

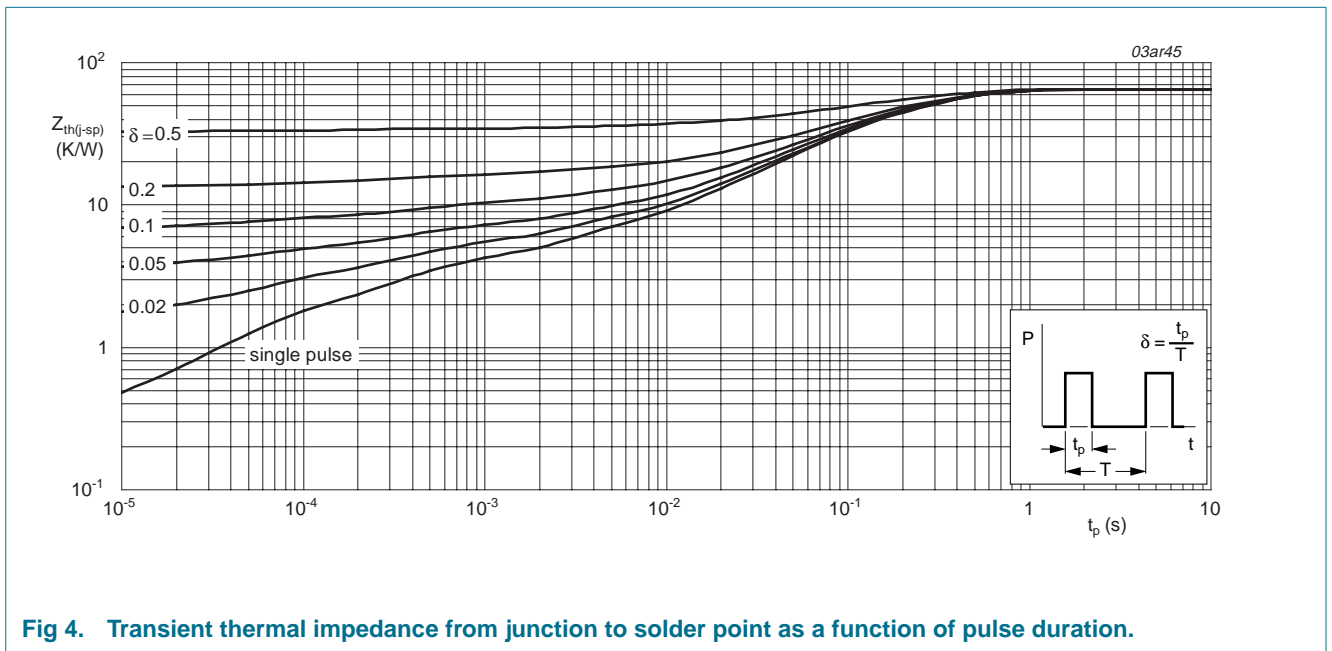
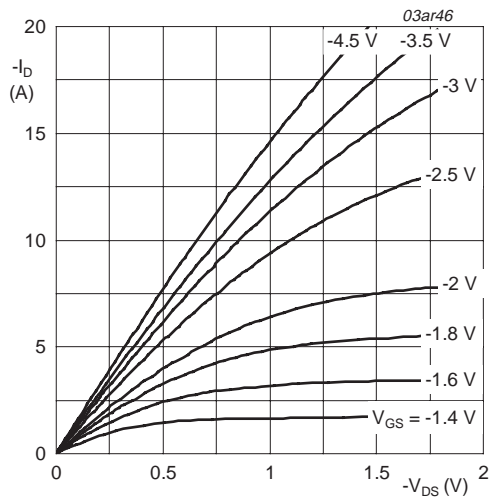


Fig 4. Transient thermal impedance from junction to solder point as a function of pulse duration.

## 6. Characteristics

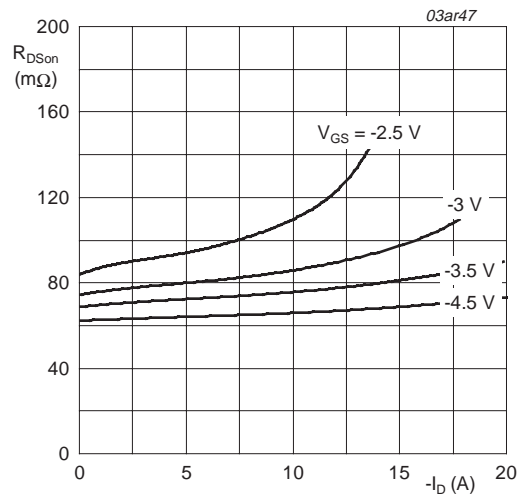
**Table 5: Characteristics**
*T<sub>j</sub> = 25 °C unless otherwise specified.*

Symbol	Parameter	Conditions	Min	Typ	Max	Unit
<b>Static characteristics</b>						
V <sub>(BR)DSS</sub>	drain-source breakdown voltage	I <sub>D</sub> = -250 μA; V <sub>GS</sub> = 0 V				
		T <sub>j</sub> = 25 °C	-20	-	-	V
		T <sub>j</sub> = -55 °C	-18	-	-	V
V <sub>GS(th)</sub>	gate-source threshold voltage	I <sub>D</sub> = -1 mA; V <sub>DS</sub> = V <sub>GS</sub> ; <a href="#">Figure 9</a> and <a href="#">10</a>				
		T <sub>j</sub> = 25 °C	-0.55	-0.75	-0.95	V
		T <sub>j</sub> = 150 °C	-0.35	-	-	V
		T <sub>j</sub> = -55 °C	-	-	-1.1	V
I <sub>DSS</sub>	drain-source leakage current	V <sub>DS</sub> = -20 V; V <sub>GS</sub> = 0 V				
		T <sub>j</sub> = 25 °C	-	-	-1	μA
		T <sub>j</sub> = 150 °C	-	-	-100	μA
I <sub>GSS</sub>	gate-source leakage current	V <sub>GS</sub> = ±12 V; V <sub>DS</sub> = 0 V	-	-10	-100	nA
R <sub>DS(on)</sub>	drain-source on-state resistance	V <sub>GS</sub> = -4.5 V; I <sub>D</sub> = -2.8 A; <a href="#">Figure 6</a> and <a href="#">8</a>				
		T <sub>j</sub> = 25 °C	-	65	76	mΩ
		T <sub>j</sub> = 150 °C	-	104	122	mΩ
		V <sub>GS</sub> = -2.5 V; I <sub>D</sub> = -2.3 A; <a href="#">Figure 6</a> and <a href="#">8</a>	-	90	112	mΩ
<b>Dynamic characteristics</b>						
Q <sub>g(tot)</sub>	total gate charge	I <sub>D</sub> = -2.8 A; V <sub>DS</sub> = -6 V; V <sub>GS</sub> = -4.5 V; <a href="#">Figure 11</a>	-	7.6	-	nC
Q <sub>gs</sub>	gate-source charge		-	1.6	-	nC
Q <sub>gd</sub>	gate-drain (Miller) charge		-	0.65	-	nC
V <sub>plat</sub>	plateau voltage		-	-1.5	-	V
C <sub>iss</sub>	input capacitance	V <sub>GS</sub> = 0 V; V <sub>DS</sub> = -20 V; f = 1 MHz; <a href="#">Figure 13</a>	-	725	-	pF
C <sub>oss</sub>	output capacitance		-	105	-	pF
C <sub>rss</sub>	reverse transfer capacitance		-	80	-	pF
t <sub>d(on)</sub>	turn-on delay time	V <sub>DS</sub> = -6 V; R <sub>L</sub> = 6 Ω;	-	7	-	ns
t <sub>r</sub>	rise time	V <sub>GS</sub> = -4.5 V; R <sub>G</sub> = 6 Ω	-	21	-	ns
t <sub>d(off)</sub>	turn-off delay time		-	68	-	ns
t <sub>f</sub>	fall time		-	33	-	ns
<b>Source-drain diode</b>						
V <sub>SD</sub>	source-drain (diode forward) voltage	I <sub>S</sub> = -1.25 A; V <sub>GS</sub> = 0 V; <a href="#">Figure 12</a>	-	-0.77	-1.2	V



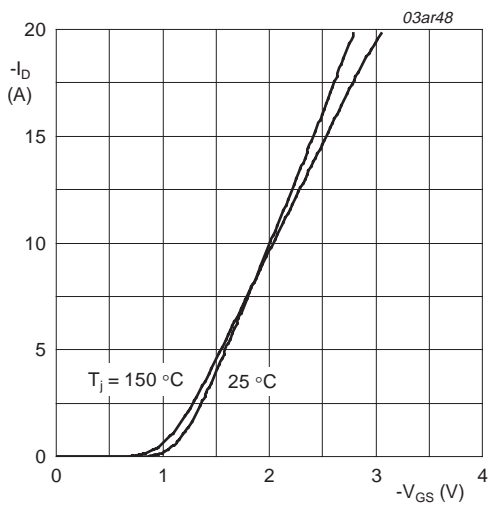
T<sub>j</sub> = 25 °C

Fig 5. Output characteristics: drain current as a function of drain-source voltage; typical values.



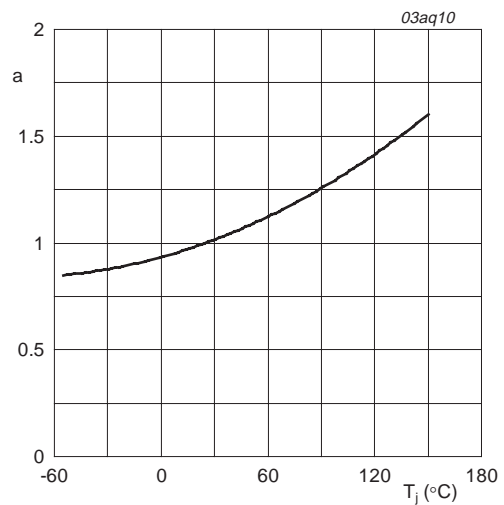
T<sub>j</sub> = 25 °C

Fig 6. Drain-source on-state resistance as a function of drain current; typical values.



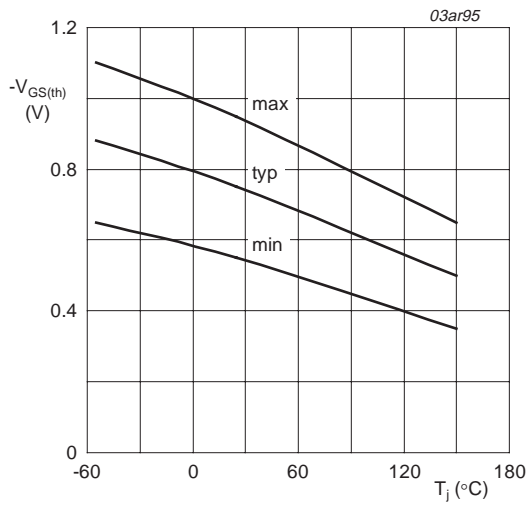
T<sub>j</sub> = 25 °C and 150 °C; V<sub>DS</sub> > I<sub>D</sub> × R<sub>DS(on)</sub>

Fig 7. Transfer characteristics: drain current as a function of gate-source voltage; typical values.



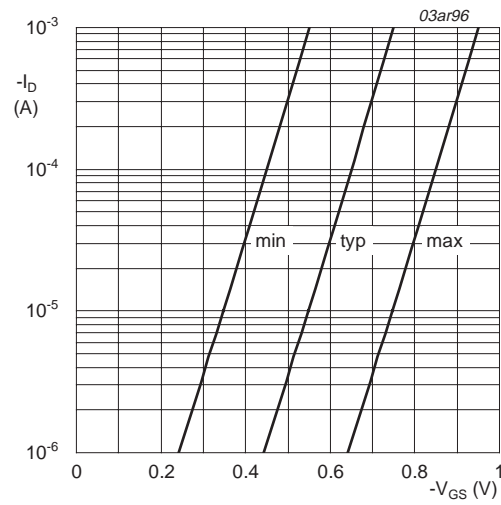
$$a = \frac{R_{DS(on)}}{R_{DS(on)(25^{\circ}C)}}$$

Fig 8. Normalized drain-source on-state resistance factor as a function of junction temperature.



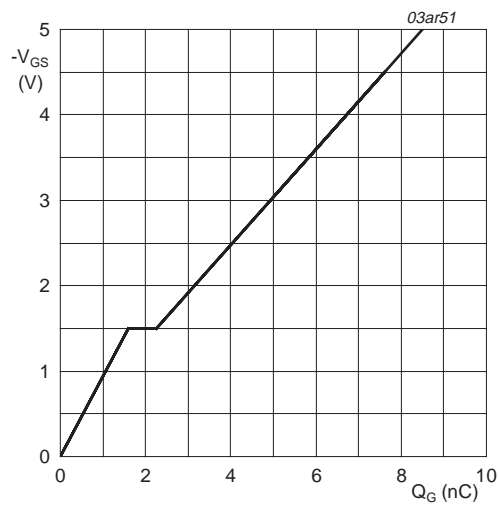
$I_D = -1 \text{ mA}; V_{DS} = V_{GS}$

Fig. 9. Gate-source threshold voltage as a function of junction temperature.



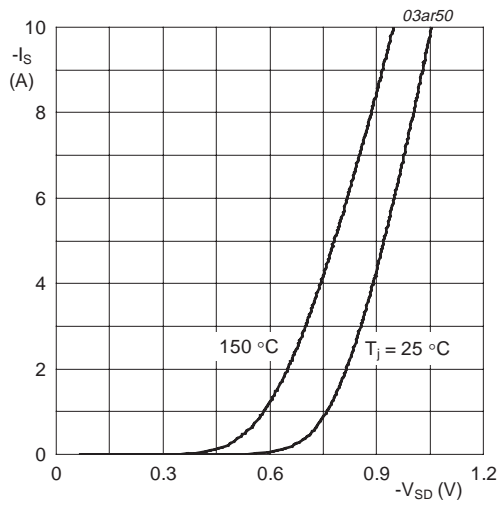
$T_j = 25 \text{ °C}; V_{DS} = -5 \text{ V}$

Fig. 10. Sub-threshold drain current as a function of gate-source voltage.



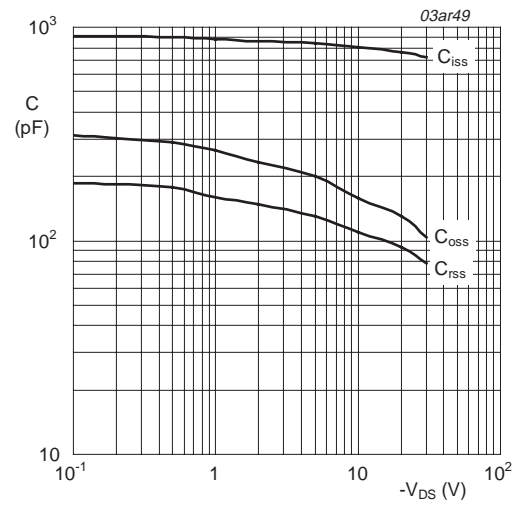
$I_D = -2.8 \text{ A}; V_{DS} = -6 \text{ V}$

Fig. 11. Gate-source voltage as a function of gate charge; typical values.



$T_j = 25\text{ °C}$  and  $150\text{ °C}$ ;  $V_{GS} = 0\text{ V}$

**Fig 12. Source (diode forward) current as a function of source-drain (diode forward) voltage; typical values.**



$V_{GS} = 0\text{ V}$ ;  $f = 1\text{ MHz}$

**Fig 13. Input, output and reverse transfer capacitances as a function of drain-source voltage; typical values.**



7. Package outline

Plastic surface mounted package; 3 leads

SOT23

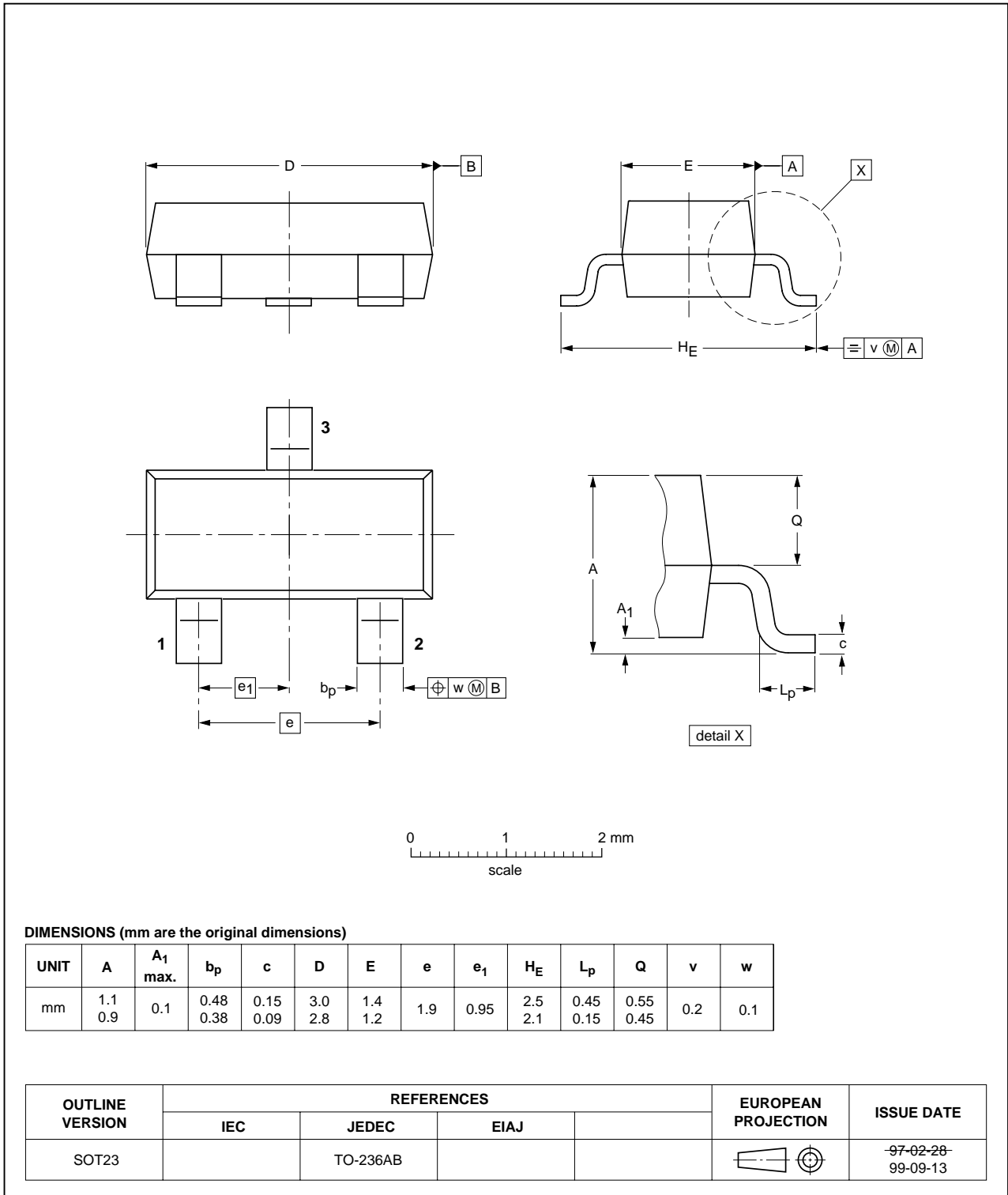


Fig 14. SOT23 package outline.

## 8. Revision history

Table 6: Revision history

Document ID	Release date	Data sheet status	Change notice	Doc. number	Supersedes
PMV65XP_1	20040928	Product data sheet	-	9397 750 13993	-

## 9. Data sheet status

Level	Data sheet status <sup>[1]</sup>	Product status <sup>[2] [3]</sup>	Definition
I	Objective data	Development	This data sheet contains data from the objective specification for product development. Philips Semiconductors reserves the right to change the specification in any manner without notice.
II	Preliminary data	Qualification	This data sheet contains data from the preliminary specification. Supplementary data will be published at a later date. Philips Semiconductors reserves the right to change the specification without notice, in order to improve the design and supply the best possible product.
III	Product data	Production	This data sheet contains data from the product specification. Philips Semiconductors reserves the right to make changes at any time in order to improve the design, manufacturing and supply. Relevant changes will be communicated via a Customer Product/Process Change Notification (CPCN).

[1] Please consult the most recently issued data sheet before initiating or completing a design.

[2] The product status of the device(s) described in this data sheet may have changed since this data sheet was published. The latest information is available on the Internet at URL <http://www.semiconductors.philips.com>.

[3] For data sheets describing multiple type numbers, the highest-level product status determines the data sheet status.

## 10. Definitions

**Short-form specification** — The data in a short-form specification is extracted from a full data sheet with the same type number and title. For detailed information see the relevant data sheet or data handbook.

**Limiting values definition** — Limiting values given are in accordance with the Absolute Maximum Rating System (IEC 60134). Stress above one or more of the limiting values may cause permanent damage to the device. These are stress ratings only and operation of the device at these or at any other conditions above those given in the Characteristics sections of the specification is not implied. Exposure to limiting values for extended periods may affect device reliability.

**Application information** — Applications that are described herein for any of these products are for illustrative purposes only. Philips Semiconductors make no representation or warranty that such applications will be suitable for the specified use without further testing or modification.

## 11. Disclaimers

**Life support** — These products are not designed for use in life support appliances, devices, or systems where malfunction of these products can reasonably be expected to result in personal injury. Philips Semiconductors

## 13. Contact information

For additional information, please visit: <http://www.semiconductors.philips.com>

For sales office addresses, send an email to: [sales.addresses@www.semiconductors.philips.com](mailto:sales.addresses@www.semiconductors.philips.com)

customers using or selling these products for use in such applications do so at their own risk and agree to fully indemnify Philips Semiconductors for any damages resulting from such application.

**Right to make changes** — Philips Semiconductors reserves the right to make changes in the products - including circuits, standard cells, and/or software - described or contained herein in order to improve design and/or performance. When the product is in full production (status 'Production'), relevant changes will be communicated via a Customer Product/Process Change Notification (CPCN). Philips Semiconductors assumes no responsibility or liability for the use of any of these products, conveys no license or title under any patent, copyright, or mask work right to these products, and makes no representations or warranties that these products are free from patent, copyright, or mask work right infringement, unless otherwise specified.

## 12. Trademarks

**TrenchMOS** — is a trademark of Koninklijke Philips Electronics N.V.

## 14. Contents

---

<b>1</b>	<b>Product profile</b> .....	<b>1</b>
1.1	General description .....	1
1.2	Features .....	1
1.3	Applications .....	1
1.4	Quick reference data .....	1
<b>2</b>	<b>Pinning information</b> .....	<b>1</b>
<b>3</b>	<b>Ordering information</b> .....	<b>2</b>
<b>4</b>	<b>Limiting values</b> .....	<b>2</b>
<b>5</b>	<b>Thermal characteristics</b> .....	<b>4</b>
5.1	Transient thermal impedance .....	4
<b>6</b>	<b>Characteristics</b> .....	<b>5</b>
<b>7</b>	<b>Package outline</b> .....	<b>9</b>
<b>8</b>	<b>Revision history</b> .....	<b>10</b>
<b>9</b>	<b>Data sheet status</b> .....	<b>11</b>
<b>10</b>	<b>Definitions</b> .....	<b>11</b>
<b>11</b>	<b>Disclaimers</b> .....	<b>11</b>
<b>12</b>	<b>Trademarks</b> .....	<b>11</b>
<b>13</b>	<b>Contact information</b> .....	<b>11</b>



© Koninklijke Philips Electronics N.V. 2004

All rights are reserved. Reproduction in whole or in part is prohibited without the prior written consent of the copyright owner. The information presented in this document does not form part of any quotation or contract, is believed to be accurate and reliable and may be changed without notice. No liability will be accepted by the publisher for any consequence of its use. Publication thereof does not convey nor imply any license under patent- or other industrial or intellectual property rights.

Date of release: 28 September 2004  
Document number: 9397 750 13993

Published in The Netherlands