



## 500kHz, 12-Bit, 6-Channel Simultaneous Sampling ANALOG-TO-DIGITAL CONVERTER

### FEATURES

- 6 Simultaneous Sampling Channels
- Fully Differential Inputs
- 2µs Total Throughput per Channel
- No Missing Codes
- Parallel Interface
- 1MHz Effective Sampling Rate
- Low Power: 50mW
- 6X FIFO

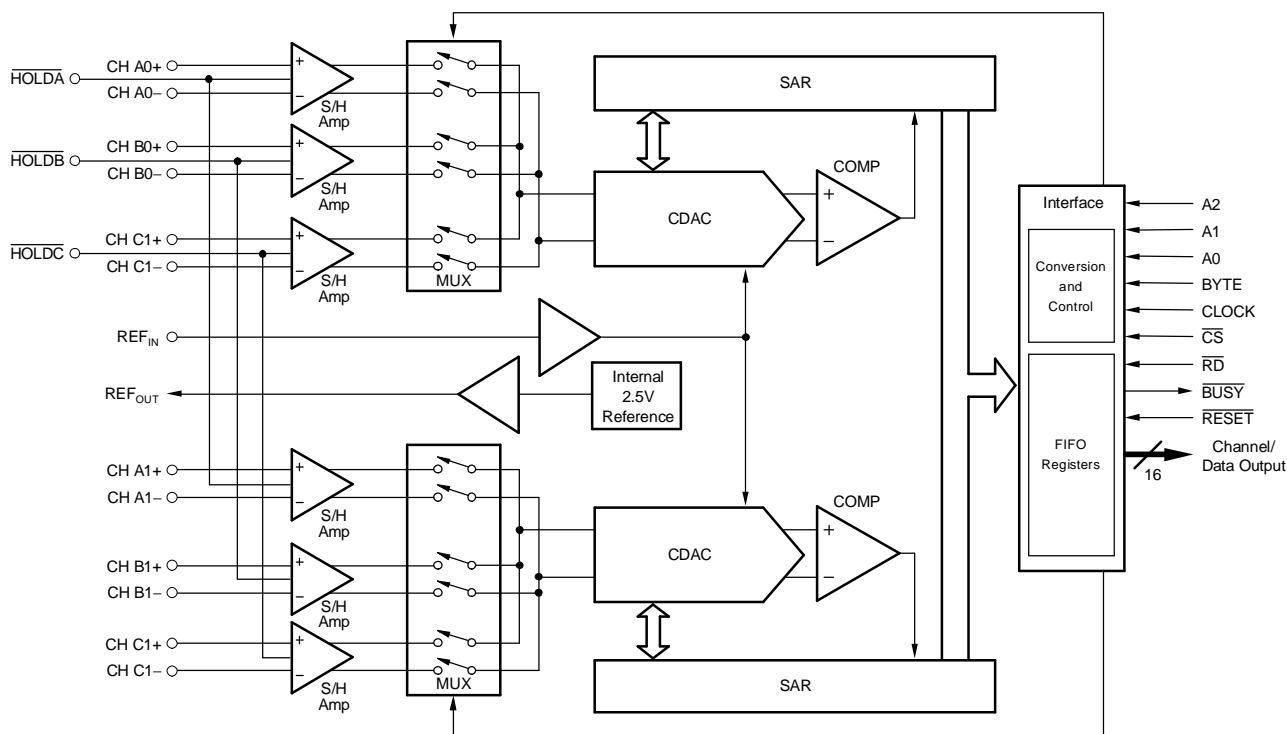
### APPLICATIONS

- Motor Control
- Multi-Axis Positioning Systems
- 3-Phase Power Control

### DESCRIPTION

The ADS7864 is a dual 12-bit, 500kHz analog-to-digital (A/D) converter with 6 fully differential input channels grouped into three pairs for high speed simultaneous signal acquisition. Inputs to the sample-and-hold amplifiers are fully differential and are maintained differential to the input of the A/D converter. This provides excellent common-mode rejection of 80dB at 50kHz which is important in high noise environments.

The ADS7864 offers a parallel interface and control inputs to minimize software overhead. The output data for each channel is available as a 16-bit word (address and data). The ADS7864 is offered in a TQFP-48 package and is fully specified over the -40°C to +85°C operating range.



Please be aware that an important notice concerning availability, standard warranty, and use in critical applications of Texas Instruments semiconductor products and disclaimers thereto appears at the end of this data sheet.



This integrated circuit can be damaged by ESD. Texas Instruments recommends that all integrated circuits be handled with appropriate precautions. Failure to observe proper handling and installation procedures can cause damage.

ESD damage can range from subtle performance degradation to complete device failure. Precision integrated circuits may be more susceptible to damage because very small parametric changes could cause the device not to meet its published specifications.

**ORDERING INFORMATION<sup>(1)</sup>**

PRODUCT	MINIMUM RELATIVE ACCURACY (LSB)	MAXIMUM GAIN ERROR (%)	PACKAGE-LEAD	PACKAGE DESIGNATOR	SPECIFIED TEMPERATURE RANGE	ORDERING NUMBER	TRANSPORT MEDIA, QUANTITY
ADS7864Y	±2	±0.75	TQFP-48	PFB	-40°C to +85°C	ADS7864Y	Tape and Reel, 250
						ADS7864Y	Tape and Reel, 2000
ADS7864YB	±1	±0.5	TQFP-48	PFB	-40°C to +85°C	ADS7864YB	Tape and Reel, 250
						ADS7864YB	Tape and Reel, 2000

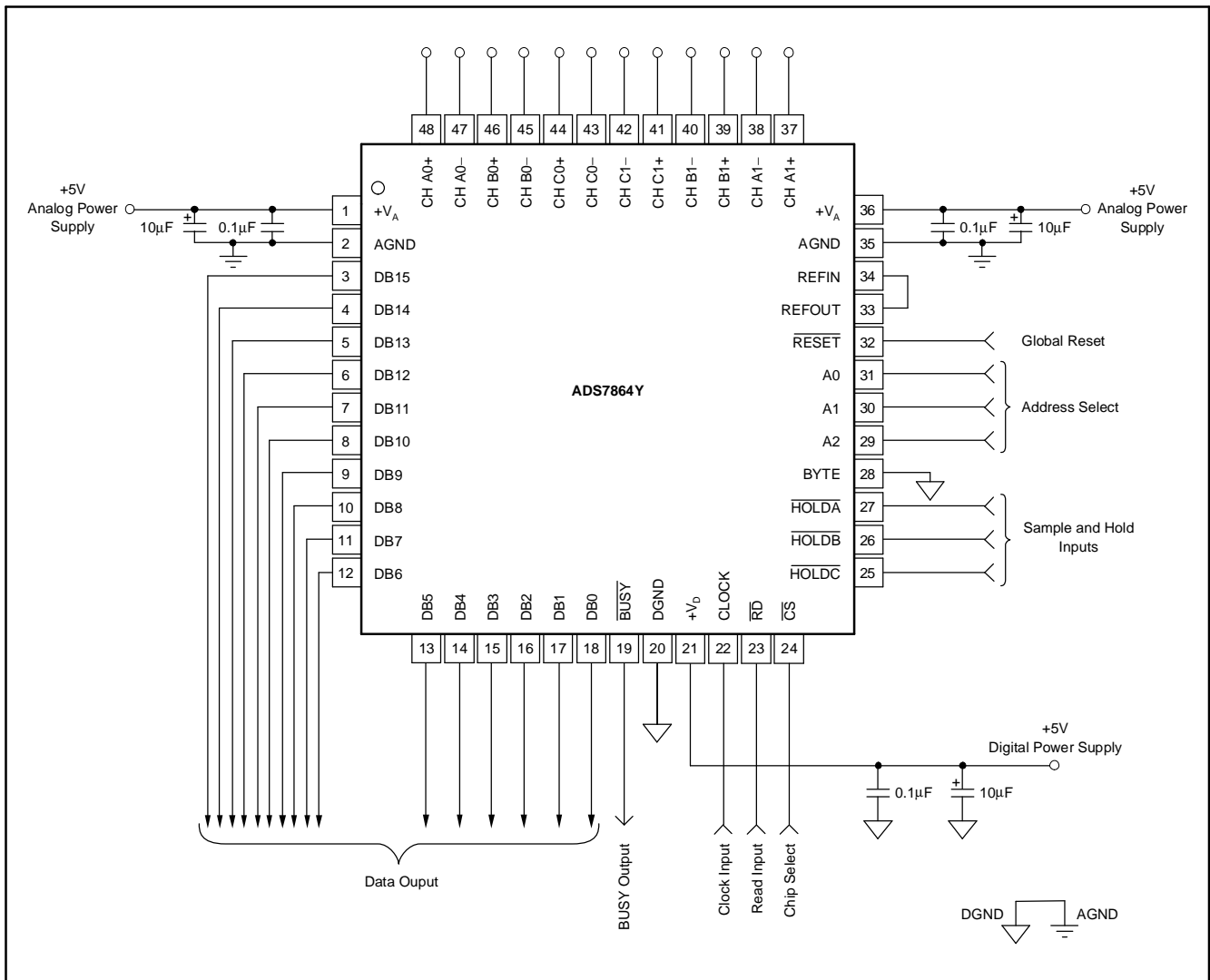
(1) For the most current package and ordering information, see the Package Option Addendum at the end of this document, or see the TI website at [www.ti.com](http://www.ti.com).

**ABSOLUTE MAXIMUM RATINGS**

over operating free-air temperature range (unless otherwise noted)

	ADS7864	UNIT
Analog Inputs to AGND: Any Channel Input	-0.3 to (+V <sub>D</sub> + 0.3)	V
Analog Inputs to AGND: REF <sub>IN</sub>	-0.3 to (+V <sub>D</sub> + 0.3)	V
Digital Inputs to DGND	-0.3 to (+V <sub>D</sub> + 0.3)	V
Ground Voltage Differences: AGND, DGND	±0.3	V
Ground Voltage Differences: +V <sub>D</sub> to AGND	-0.3 to +6	V
Power Supply Difference: +V <sub>A</sub> , +V <sub>D</sub>	±0.3	V
Power Dissipation	325	mW
Maximum Junction Temperature	+150	°C
Operating Temperature Range	-40 to +85	°C
Storage Temperature Range	-65 to +150	°C
Lead Temperature (soldering, 10s)	+300	°C

**BASIC OPERATION**



**ELECTRICAL CHARACTERISTICS**

All specifications T<sub>MIN</sub> to T<sub>MAX</sub>, +V<sub>A</sub> = +V<sub>D</sub> = +5V, V<sub>REF</sub> = internal +2.5V and f<sub>CLK</sub> = 8MHz, f<sub>SAMPLE</sub> = 500kHz (unless otherwise noted).

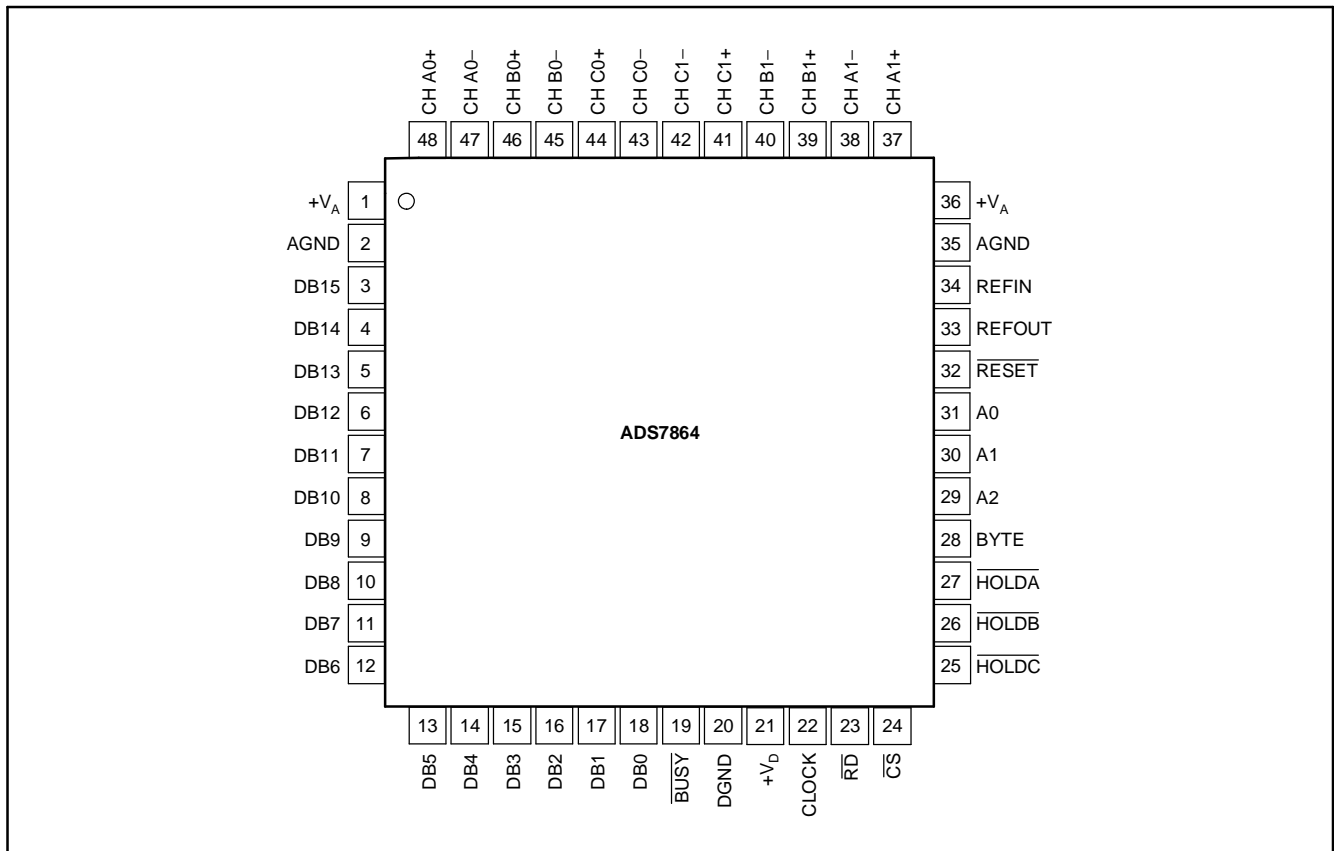
PARAMETER	TEST CONDITIONS	ADS7864Y			ADS7864YB			UNIT
		MIN	TYP	MAX	MIN	TYP	MAX	
<b>Resolution</b>				12			12	Bits
<b>Analog Input</b>								
Input Voltage Range-Bipolar	V <sub>CENTER</sub> = +2.5V	-V <sub>REF</sub>		+V <sub>REF</sub>	-V <sub>REF</sub>		+V <sub>REF</sub>	V
Absolute Input Range	+IN	-0.3		+V <sub>A</sub> + 0.3				V
	-IN	-0.3		+V <sub>A</sub> + 0.3				V
Input Capacitance			15			15		pF
Input Leakage Current	CLK = GND		±1			±1		µA
<b>System Performance</b>								
No Missing Codes		12			12			Bits
Integral Linearity			±0.75	2		±0.5	±1	LSB
Integral Linearity Match			0.5			0.5		LSB
Differential Linearity		-0.9	±0.6		-0.9	±0.4		LSB
Bipolar Offset Error	Referenced to REF <sub>IN</sub>		±0.75	±4		±0.5	±3	LSB
Bipolar Offset Error Match				3			3	LSB
Positive Gain Error	Referenced to REF <sub>IN</sub>		±0.15	±0.75		±0.1	±0.5	% of FSR
Positive Gain Error Match				3			3	LSB
Negative Gain Error	Referenced to REF <sub>IN</sub>		±0.15	±0.75		±0.1	±0.5	% of FSR
Negative Gain Error Match				3			3	LSB
Common-Mode Rejection Ratio	At DC		84			84		dB
	V <sub>IN</sub> = ±1.25V <sub>PP</sub> at 50kHz		80			80		dB
Noise			120			120		µV <sub>RMS</sub>
Power Supply Rejection Ratio			0.3	2		0.3	2	LSB
<b>Sampling Dynamics</b>								
Conversion Time per A/D			1.75			1.75		µs
Acquisition Time			0.25			0.25		µs
Throughput Rate		500			500			kHz
Aperture Delay			3.5			3.5		ns
Aperture Delay Matching			100			100		ps
Aperture Jitter			50			50		ps
Small-Signal Bandwidth			40			40		MHz
<b>Dynamic Characteristics</b>								
Total Harmonic Distortion	V <sub>IN</sub> = ±2.5V <sub>PP</sub> at 100kHz		-75			-75		dB
SINAD	V <sub>IN</sub> = ±2.5V <sub>PP</sub> at 100kHz		71			71		dB
Spurious Free Dynamic Range	V <sub>IN</sub> = ±2.5V <sub>PP</sub> at 100kHz		78			78		dB
Channel-to-Channel Isolation	V <sub>IN</sub> = ±2.5V <sub>PP</sub> at 50kHz		-76			-76		dB
<b>Voltage Reference</b>								
Internal Reference Voltage		2.475	2.5	2.525	2.475	2.5	2.525	V
Internal Drift			10			10		ppm/°C
Internal Noise			50			50		µV <sub>PP</sub>
Internal Source Current			2			2		mA
Internal Load Rejection			0.005			0.005		mV/µA
Internal PSRR			80			80		dB
External Reference Voltage Range		1.2	2.5	2.6	1.2	2.5	2.6	V
Input Current				100			100	µA
Input Capacitance			5			5		pF

**ELECTRICAL CHARACTERISTICS (continued)**

All specifications  $T_{MIN}$  to  $T_{MAX}$ ,  $+V_A = +V_D = +5V$ ,  $V_{REF} = \text{internal } +2.5V$  and  $f_{CLK} = 8MHz$ ,  $f_{SAMPLE} = 500kHz$  (unless otherwise noted).

PARAMETER	TEST CONDITIONS	ADS7864Y			ADS7864YB			UNIT
		MIN	TYP	MAX	MIN	TYP	MAX	
<b>Digital Input/Output</b>								
Logic Family		CMOS			CMOS			
Logic Levels:								
$V_{IH}$	$I_{IH} = +5\mu A$	3.0		$+V_D + 0.3$	3.0		$+V_D + 0.3$	V
$V_{IL}$	$I_{IL} = +5\mu A$	-0.3		0.8	-0.3		0.8	V
$V_{OH}$	$I_{OH} = -500\mu A$	3.5			3.5			V
$V_{OL}$	$I_{OL} = -500\mu A$			0.4			0.4	V
External Clock		0.2		8	0.2		8	MHz
Data Format		Binary Two's Complement			Binary Two's Complement			
<b>Power-Supply Requirements</b>								
Power Supply Voltage, $+V_A, +V_D$		4.75	5	5.25	4.75	5	5.25	V
Quiescent Current, $+V_A, +V_D$				10			10	mA
Power Dissipation				50			50	mW

**PIN CONFIGURATIONS**



**PIN DESCRIPTIONS**

PIN	NAME	DESCRIPTION
1	+V <sub>A</sub>	Analog Power Supply. Normally +5V.
2	AGND	Analog Ground
3	DB15	Data Valid Output: '1' for data valid; '0' for invalid data.
4	DB14	Channel Address Output Pin (see <a href="#">Table 2</a> )
5	DB13	Channel Address Output Pin (see <a href="#">Table 2</a> )
6	DB12	Channel Address Output Pin (see <a href="#">Table 2</a> )
7	DB11	Data Bit 11 - MSB
8	DB10	Data Bit 10
9	DB9	Data Bit 9
10	DB8	Data Bit 8
11	DB7	Data Bit 7
12	DB6	Data Bit 6
13	DB5	Data Bit 5
14	DB4	Data Bit 4
15	DB3	Data Bit 3
16	DB2	Data Bit 2
17	DB1	Data Bit 1
18	DB0	Data Bit 0 - LSB
19	BUSY	Low when a conversion is in progress.
20	DGND	Digital Ground
21	+V <sub>D</sub>	Digital Power Supply, +5VDC
22	CLOCK	An external clock must be applied to the CLOCK input.
23	RD	RD Input. Enables the parallel output when used in conjunction with chip select.
24	CS	Chip Select
25	HOLDC	Places Channels C0 and C1 in hold mode.
26	HOLDB	Places Channels B0 and B1 in hold mode.
27	HOLDA	Places Channels A0 and A1 in hold mode.
28	BYTE	2 × 8 Output Capability. Active high.
29	A2	A2 Address/Mode Select Pin (see <a href="#">Table 3</a> ).
30	A1	A1 Address/Mode Select Pin (see <a href="#">Table 3</a> ).
31	A0	A0 Address/Mode Select Pin (see <a href="#">Table 3</a> ).
32	RESET	Reset Pin
33	REFOUT	Reference Out
34	REFIN	Reference In
35	AGND	Analog Ground
36	+V <sub>A</sub>	Analog Power Supply. Normally +5V.
37	CH A1+	Noninverting Input Channel A1
38	CH A1–	Inverting Input Channel A1
39	CH B1+	Noninverting Input Channel B1
40	CH B1–	Inverting Input Channel B1
41	CH C1+	Noninverting Input Channel C1
42	CH C1–	Inverting Input Channel C1
43	CH C0–	Inverting Input Channel C0
44	CH C0+	Noninverting Input Channel C0
45	CH B0–	Inverting Input Channel B0
46	CH B0+	Noninverting Input Channel B0
47	CH A0–	Inverting Input Channel A0
48	CH A0+	Noninverting Input Channel A0

### TYPICAL CHARACTERISTICS

All specifications  $T_A = +25^\circ\text{C}$ ,  $+V_A = +V_D = +5\text{V}$ ,  $V_{\text{REF}} = \text{internal } +2.5\text{V}$  and  $f_{\text{CLK}} = 8\text{MHz}$ ,  $f_{\text{SAMPLE}} = 500\text{kHz}$  (unless otherwise noted)

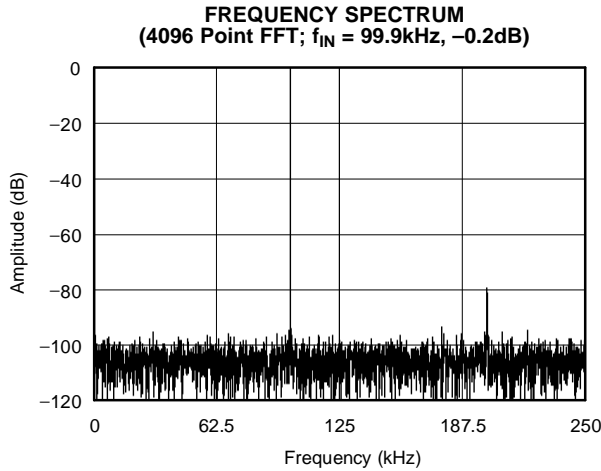


Figure 1.

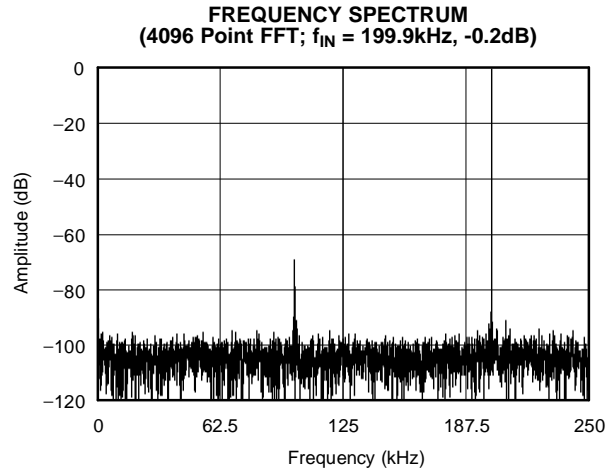


Figure 2.

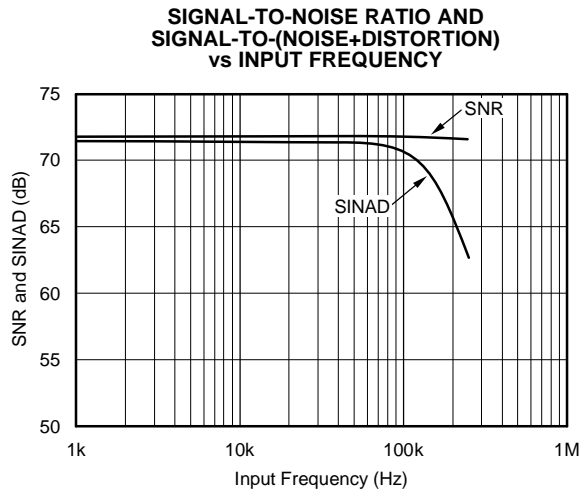


Figure 3.

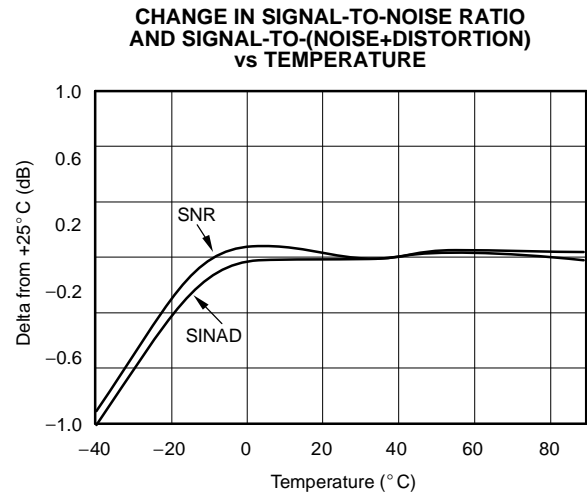


Figure 4.

**TYPICAL CHARACTERISTICS (continued)**

All specifications  $T_A = +25^\circ\text{C}$ ,  $+V_A = +V_D = +5\text{V}$ ,  $V_{REF} = \text{internal } +2.5\text{V}$  and  $f_{CLK} = 8\text{MHz}$ ,  $f_{SAMPLE} = 500\text{kHz}$  (unless otherwise noted)

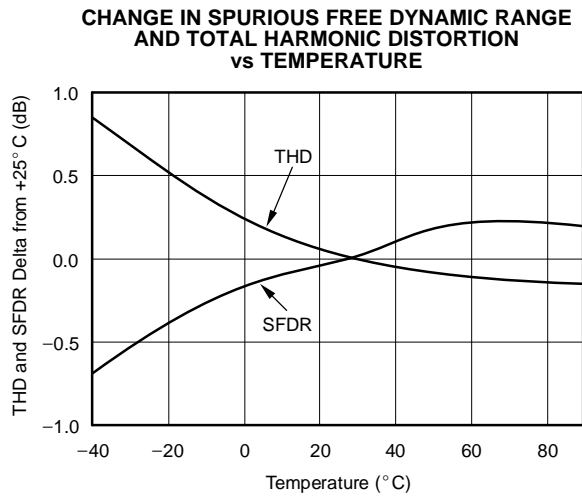


Figure 5.

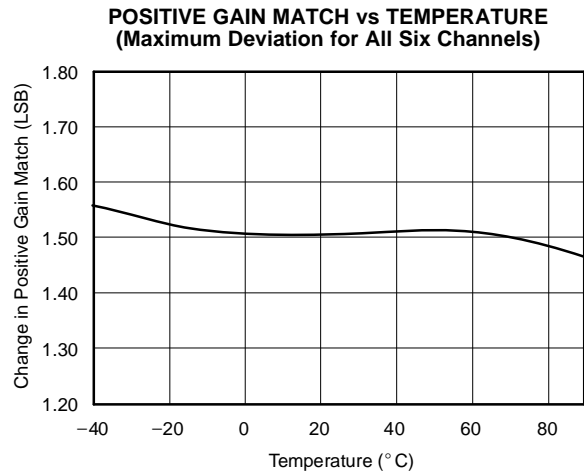


Figure 6.

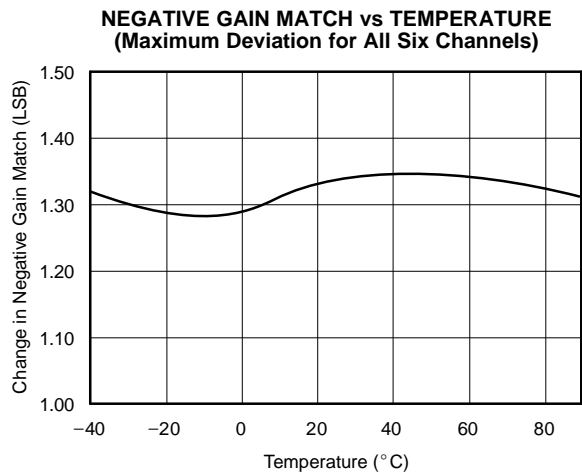


Figure 7.

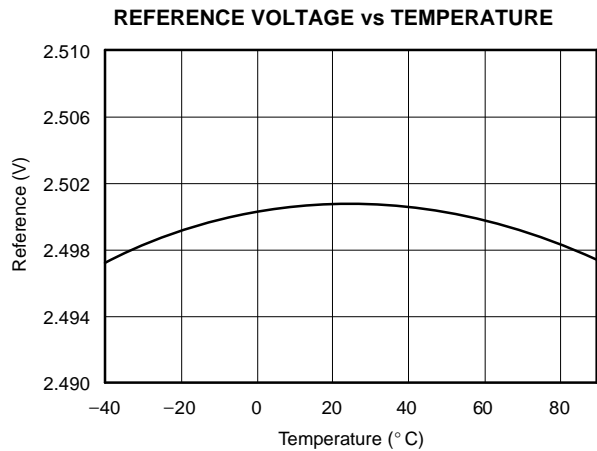


Figure 8.

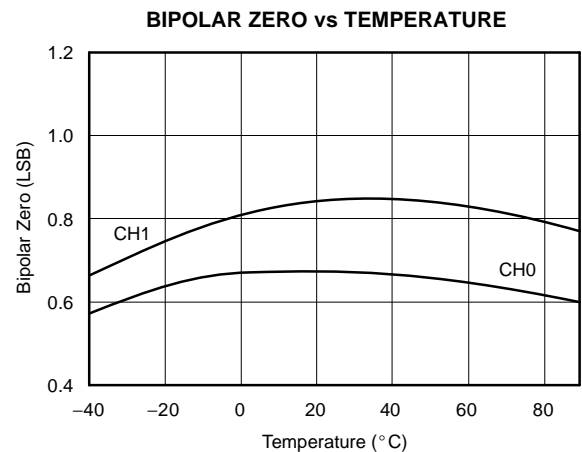


Figure 9.

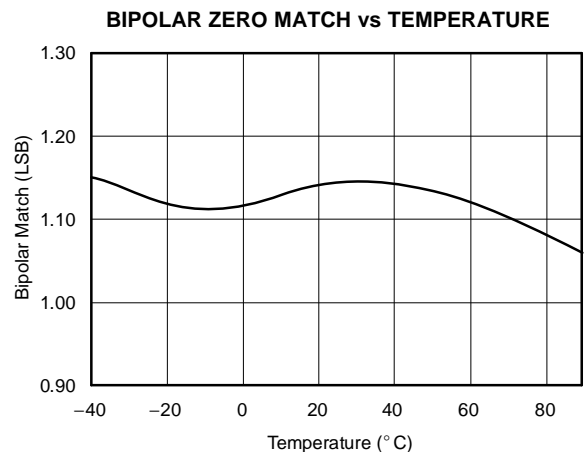


Figure 10.



**TYPICAL CHARACTERISTICS (continued)**

All specifications  $T_A = +25^\circ\text{C}$ ,  $+V_A = +V_D = +5\text{V}$ ,  $V_{REF} = \text{internal } +2.5\text{V}$  and  $f_{CLK} = 8\text{MHz}$ ,  $f_{SAMPLE} = 500\text{kHz}$  (unless otherwise noted)

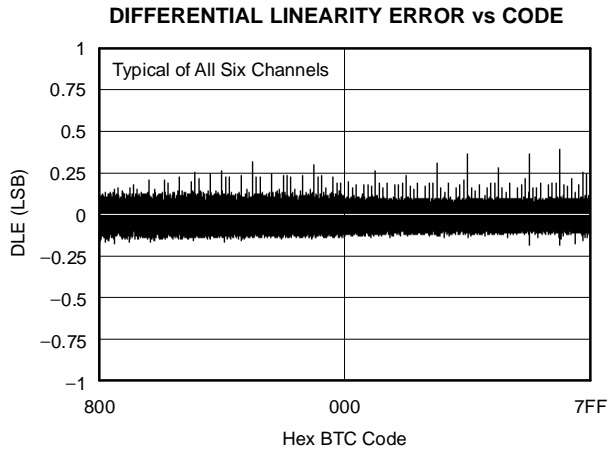


Figure 11.

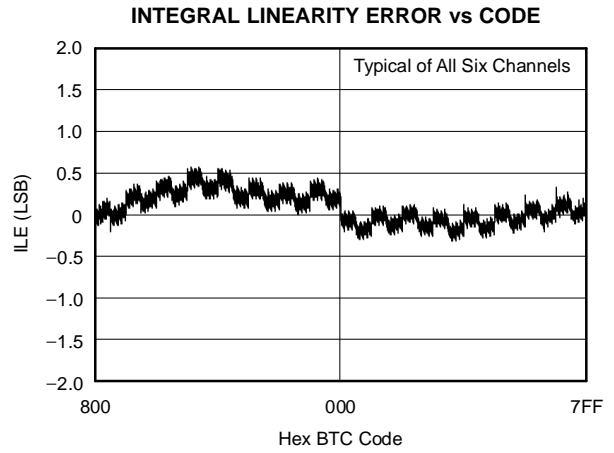


Figure 12.

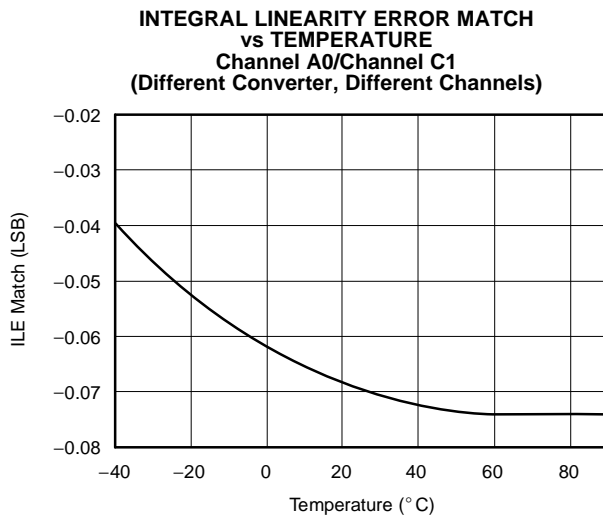


Figure 13.

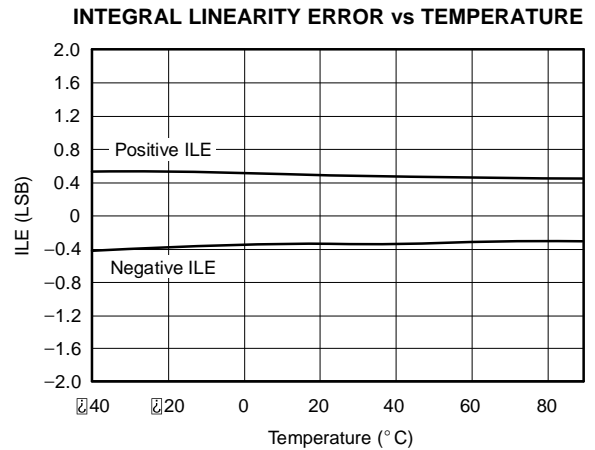


Figure 14.

**TYPICAL CHARACTERISTICS (continued)**

All specifications  $T_A = +25^\circ\text{C}$ ,  $+V_A = +V_D = +5\text{V}$ ,  $V_{REF} = \text{internal } +2.5\text{V}$  and  $f_{CLK} = 8\text{MHz}$ ,  $f_{SAMPLE} = 500\text{kHz}$  (unless otherwise noted)

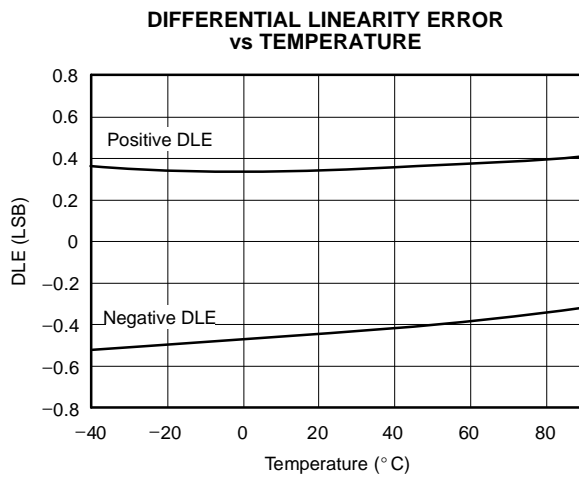


Figure 15.

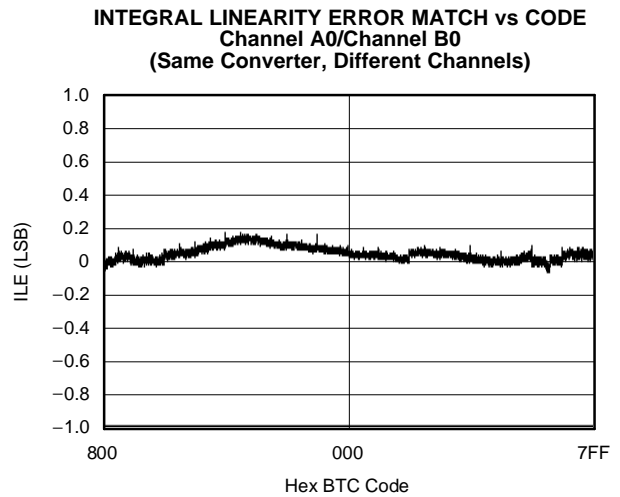


Figure 16.

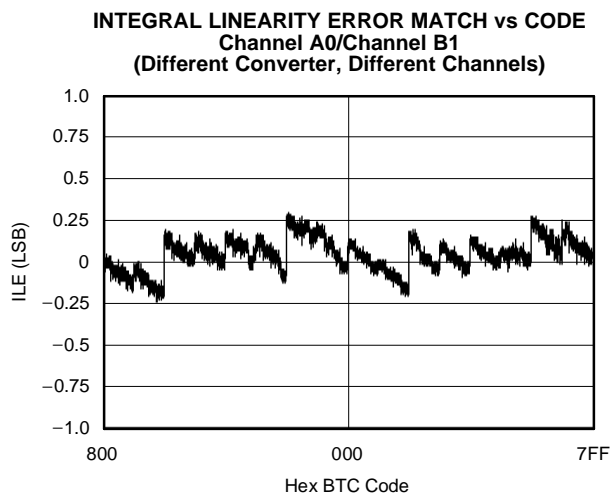


Figure 17.

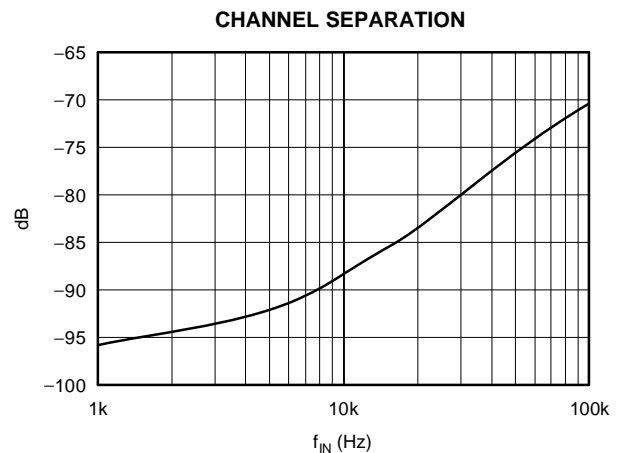


Figure 18.

## APPLICATIONS INFORMATION

### INTRODUCTION

The ADS7864 is a high speed, low power, dual 12-bit analog-to-digital converter (ADC) that operates from a single +5V supply. The input channels are fully differential with a typical common-mode rejection of 80dB. The part contains dual 2 $\mu$ s successive approximation ADCs, six differential sample-and-hold amplifiers, an internal +2.5V reference with REF<sub>IN</sub> and REF<sub>OUT</sub> pins and a high speed parallel interface. There are six analog inputs that are grouped into three channels (A, B and C). Each A/D converter has three inputs (A0/A1, B0/B1 and C0/C1) that can be sampled and converted simultaneously, thus preserving the relative phase information of the signals on both analog inputs. Each pair of channels has a hold signal (HOLDA, HOLDB, HOLDC) to allow simultaneous sampling on all six channels. The part accepts an analog input voltage in the range of  $-V_{REF}$  to  $+V_{REF}$ , centered around the internal +2.5V reference. The part will also accept bipolar input ranges when a level shift circuit is used at the front end (see Figure 25).

A conversion is initiated on the ADS7864 by bringing the  $\overline{\text{HOLDX}}$  pin low for a minimum of 15ns.  $\overline{\text{HOLDX}}$  low places both sample-and-hold amplifiers of the X channels in the hold state simultaneously and the conversion process is started on both channels. The  $\overline{\text{BUSY}}$  output will then go low and remain low for the duration of the conversion cycle. The data can be read from the parallel output bus following the conversion by bringing both  $\overline{\text{RD}}$  and  $\overline{\text{CS}}$  low.

Conversion time for the ADS7864 is 1.75 $\mu$ s when an 8MHz external clock is used. The corresponding acquisition time is 0.25 $\mu$ s. To achieve maximum output rate (500kHz), the read function can be performed during at the start of the next conversion.

**NOTE:** This mode of operation is described in more detail in the *Timing and Control* section of this data sheet.

### SAMPLE-AND-HOLD SECTION

The sample-and-hold amplifiers on the ADS7864 allow the ADCs to accurately convert an input sine wave of full-scale amplitude to 12-bit accuracy. The input bandwidth of the sample-and-hold is greater than the Nyquist rate of the ADC (Nyquist equals one-half of the sampling rate) even when the ADC is operated at its maximum throughput rate of 500kHz. The typical small-signal bandwidth of the sample-and-hold amplifiers is 40MHz.

Typical aperture delay time, or the time it takes for the ADS7864 to switch from the sample to the hold mode following the negative edge of the  $\overline{\text{HOLDX}}$

signal, is 5ns. The average delta of repeated aperture delay values is typically 50ps (also known as aperture jitter). These specifications reflect the ability of the ADS7864 to capture AC input signals accurately at the exact same moment in time.

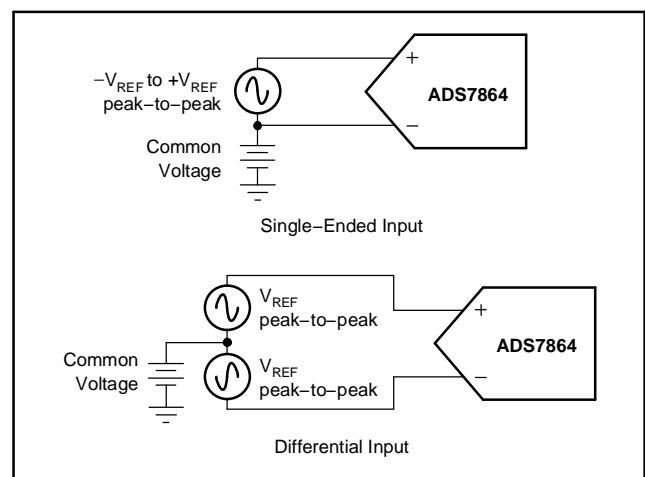
### REFERENCE

Under normal operation, the REF<sub>OUT</sub> pin (pin 2) should be directly connected to the REF<sub>IN</sub> pin (pin 1) to provide an internal +2.5V reference to the ADS7864. The ADS7864 can operate, however, with an external reference in the range of 1.2V to 2.6V for a corresponding full-scale range of 2.4V to 5.2V.

The internal reference of the ADS7864 is double-buffered. If the internal reference is used to drive an external load, a buffer is provided between the reference and the load applied to pin 33 (the internal reference can typically source 2mA of current—load capacitance should not exceed 100pF). If an external reference is used, the second buffer provides isolation between the external reference and the CDAC. This buffer is also used to recharge all of the capacitors of both CDACs during conversion.

### ANALOG INPUT

The analog input is bipolar and fully differential. There are two general methods of driving the analog input of the ADS7864: single-ended or differential (see Figure 19 and Figure 20). When the input is single-ended, the  $-\text{IN}$  input is held at the common-mode voltage. The  $+\text{IN}$  input swings around the same common voltage and the peak-to-peak amplitude is the (common-mode  $+V_{REF}$ ) and the (common-mode  $-V_{REF}$ ). The value of  $V_{REF}$  determines the range over which the common-mode voltage may vary (see Figure 21).



**Figure 19. Methods of Driving the ADS7864 Single-Ended or Differential**

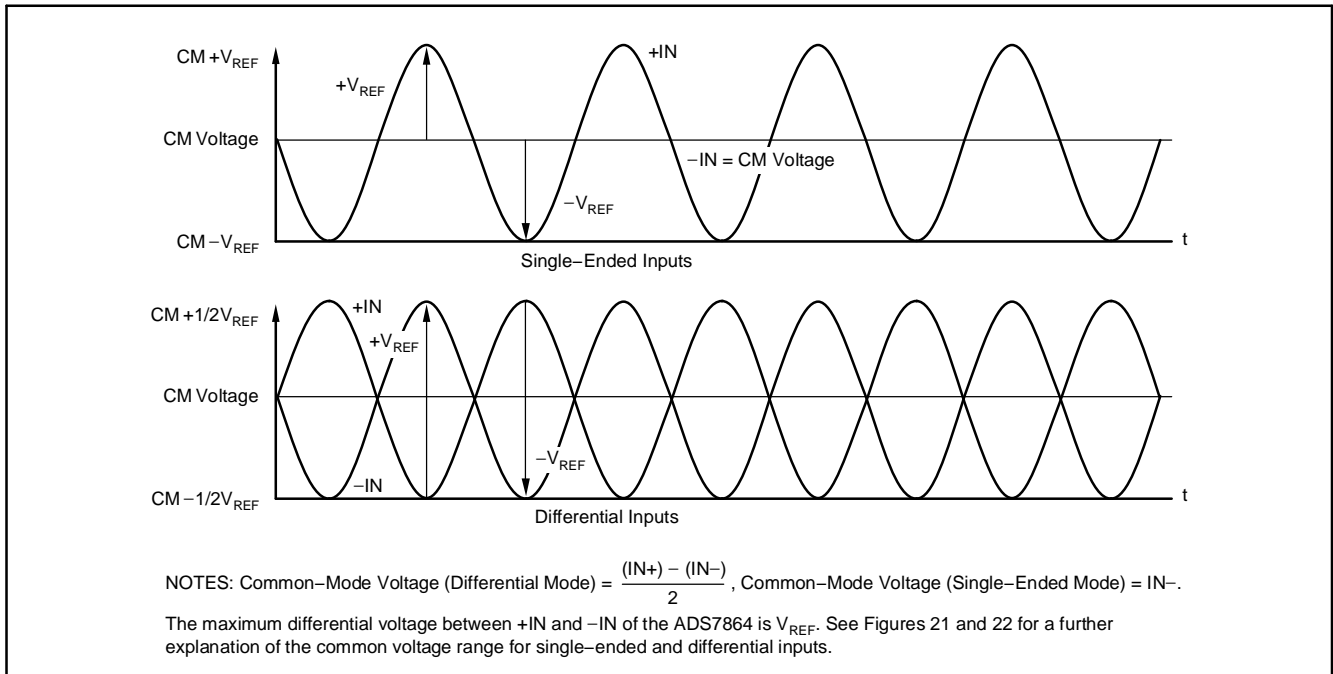


Figure 20. Using the ADS7864 in the Single-Ended and Differential Input Modes

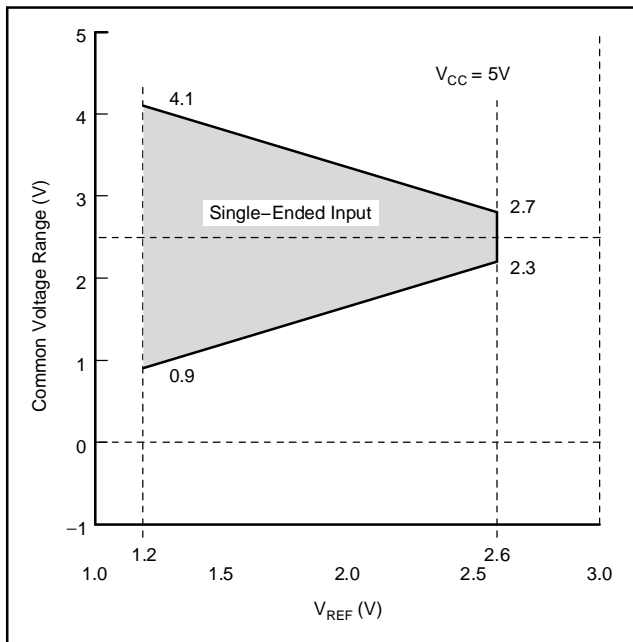


Figure 21. Single-Ended Input: Common-Mode Voltage Range vs V<sub>REF</sub>

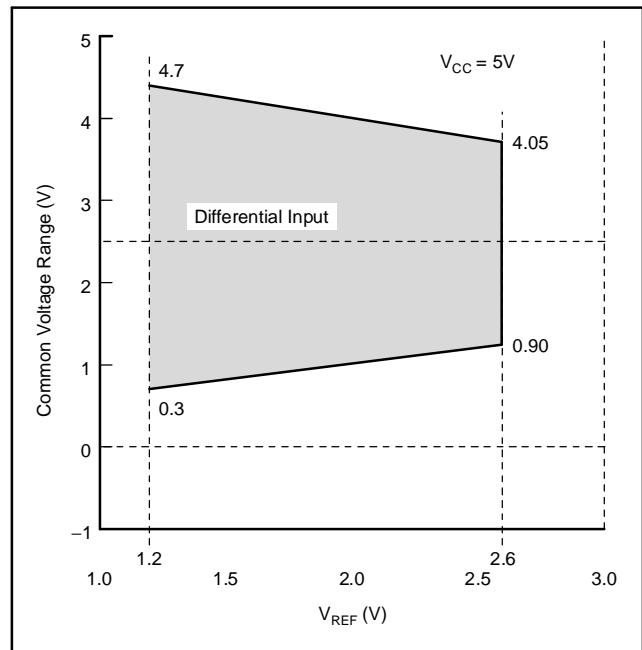


Figure 22. Differential Input: Common-Mode Voltage Range vs V<sub>REF</sub>

When the input is differential, the amplitude of the input is the difference between the +IN and –IN input, or:  $(+IN) - (-IN)$ . The peak-to-peak amplitude of each input is  $\pm 1/2V_{REF}$  around this common voltage. However, since the inputs are  $180^\circ$  out of phase, the peak-to-peak amplitude of the differential voltage is  $+V_{REF}$  to  $-V_{REF}$ . The value of  $V_{REF}$  also determines the range of the voltage that may be common to both inputs (see Figure 22).

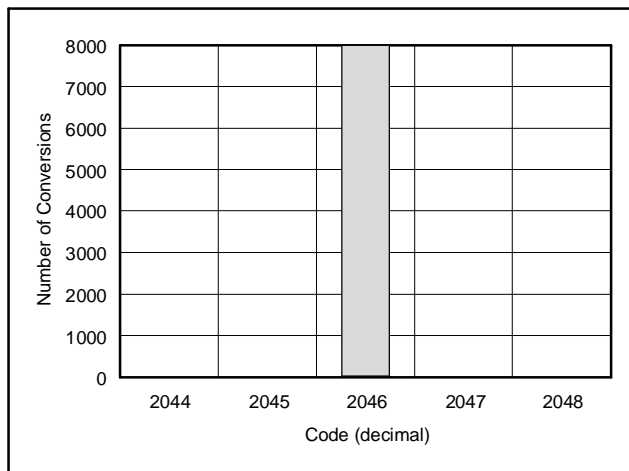
In each case, care should be taken to ensure that the output impedance of the sources driving the +IN and –IN inputs are matched. Otherwise, this may result in offset error, which will change with both temperature and input voltage.

The input current on the analog inputs depend on a number of factors: sample rate, input voltage, and source impedance. Essentially, the current into the ADS7864 charges the internal capacitor array during the sampling period. After this capacitance has been fully charged, there is no further input current. The source of the analog input voltage must be able to charge the input capacitance (15pF) to a 12-bit settling level within two clock cycles. When the converter goes into the hold mode, the input impedance is greater than  $1G\Omega$ .

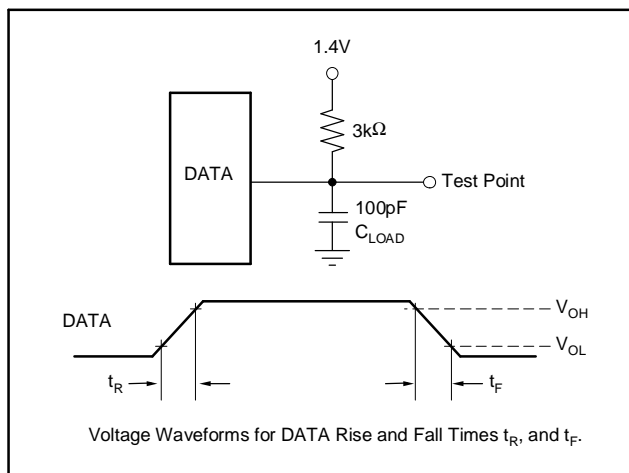
Care must be taken regarding the absolute analog input voltage. The +IN and –IN inputs should always remain within the range of  $GND - 300mV$  to  $V_{DD} + 300mV$ .

### TRANSITION NOISE

Figure 23 shows a histogram plot for the ADS7864 following 8,000 conversions of a DC input. The DC input was set at output code 2046. All but one of the conversions had an output code result of 2046 (one of the conversions resulted in an output of 2047). The histogram reveals the excellent noise performance of the ADS7864.



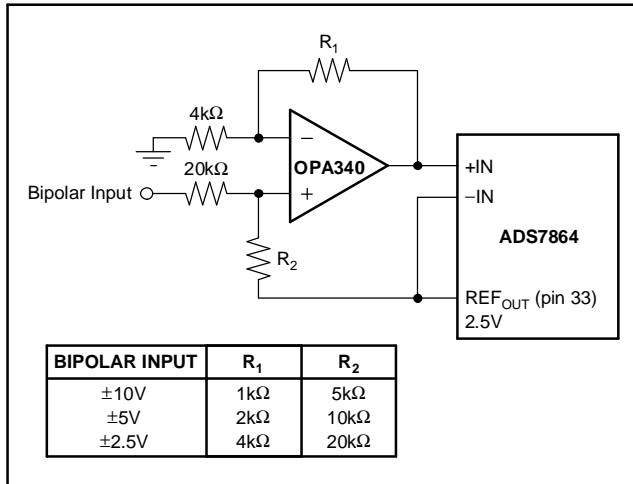
**Figure 23. Histogram of 8,000 Conversions of a DC Input**



**Figure 24. Test Circuits for Timing Specifications**

**BIPOLAR INPUTS**

The differential inputs of the ADS7864 were designed to accept bipolar inputs ( $-V_{REF}$  and  $+V_{REF}$ ) around the internal reference voltage (2.5V), which corresponds to a 0V to 5V input range with a 2.5V reference. By using a simple op amp circuit featuring a single amplifier and four external resistors, the ADS7864 can be configured to accept bipolar inputs. The conventional  $\pm 2.5V$ ,  $\pm 5V$ , and  $\pm 10V$  input ranges can be interfaced to the ADS7864 using the resistor values shown in Figure 25.



**Figure 25. Level Shift Circuit for Bipolar Input Ranges**

**TIMING AND CONTROL**

The ADS7864 uses an external clock (CLOCK, pin 22) which controls the conversion rate of the CDAC. With an 8MHz external clock, the A/D sampling rate is 500kHz which corresponds to a 2 $\mu$ s maximum throughput time.

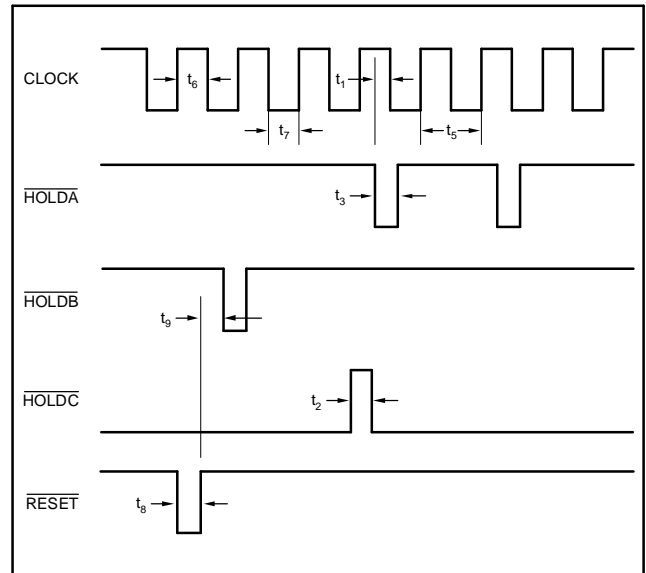
**THEORY OF OPERATION**

The ADS7864 contains two 12-bit A/D converters that operate simultaneously. The three hold signals ( $\overline{HOLDA}$ ,  $\overline{HOLDB}$ ,  $\overline{HOLDC}$ ) select the input MUX and initiate the conversion. A simultaneous hold on all six channels can occur with all three hold signals strobed together. The converted values are saved in six registers. For each read operation the ADS7864 outputs 16 bits of information (12 Data, 3 Channel Address and Data Valid). The Address/Mode signals (A0, A1, A2) select how the data is read from the ADS7864. These Address/Mode signals can define a selection of a single channel, a cycle mode that cycles through all channels or a FIFO mode that sequences the data determined by the order of the

Hold signals. The FIFO mode will allow the six registers to be used by a single channel pair, and therefore three locations for CH X0 and three locations for CH X1 can be acquired before they are read from the part.

**EXPLANATION OF CLOCK, RESET AND BUSY PINS**

**CLOCK**—An external clock has to be provided for the ADS7864. The maximum clock frequency is 8MHz. The minimum clock cycle is 125ns (see Figure 26,  $t_5$ ), and the clock has to remain high (see Figure 26,  $t_6$ ) or low (see Figure 26,  $t_7$ ) for at least 40ns.



**Figure 26. Start of the Conversion**

**RESET**—Bringing reset low will reset the ADS7864. It will clear all the output registers, stop any actual conversions and will close the sampling switches. Reset has to stay low for at least 20ns (see Figure 26,  $t_8$ ). The reset should be back high for at least 20ns (see Figure 26,  $t_9$ ), before starting the next conversion (negative hold edge).

**BUSY**—Busy goes low when the internal A/D converters start a new conversion. It stays low as long as the conversion is in progress (see Figure 27, 13 clock-cycles,  $t_{10}$ ) and rises again after the data is latched to the output register. With Busy going high, the new data can be read. It takes at least 16 clock cycles (see Figure 27,  $t_{11}$ ) to complete conversion.

**START OF A CONVERSION**

By bringing one or all of the  $\overline{HOLDX}$  signals low, the input data of the corresponding channel X is immediately placed in the hold mode (5ns). The conversion of this channel X follows as soon as the A/D converter is available for the particular channel. If

other channels are already in the hold mode but not converted, then the conversion of channel X is put in the queue until the previous conversion has been completed. If more than one channel goes into hold mode within one clock cycle, then channel A will be converted first if  $\overline{\text{HOLDA}}$  is one of the triggered hold signals. Next, channel B will be converted, and last, channel C. If it is important to detect a hold command during a certain clock cycle, then the falling edge of the hold signal has to occur at least 10ns before the falling edge of the clock. (see Figure 26,  $t_1$ ). The hold signal can remain low without initiating a new conversion. The hold signal has to be high for at least 15ns (see Figure 26,  $t_2$ ) before it is brought low again and hold has to stay low for at least 20ns (see Figure 26,  $t_3$ ).

In the example of Figure 26, the signal  $\overline{\text{HOLDB}}$  goes low first and channel B0 and B1 will be converted first. The falling edges of  $\overline{\text{HOLDA}}$  and  $\overline{\text{HOLDC}}$  occur within the same clock cycle. Therefore, the channels A0 and A1 will be converted as soon as the channels B0 and B1 are finished (plus acquisition time). When the A-channels are finished, the C-channels will be converted. The second  $\overline{\text{HOLDA}}$  signal is ignored, as the A-channels are not converted at this point in time.

Once a particular hold signal goes low, further impulses of this hold signal are ignored until the conversion is finished or the part is reset. When the conversion is finished ( $\overline{\text{BUSY}}$  signal goes high), the sampling switches will close and sample the selected channel. The start of the next conversion must be delayed to allow the input capacitor of the ADS7864 to be fully charged. This delay time depends on the driving amplifier, but should be at least 175ns (see Figure 27,  $t_4$ ).

The ADS7864 can also convert one channel continuously, as it is shown in Figure 27 with channel B. Therefore,  $\overline{\text{HOLDA}}$  and  $\overline{\text{HOLDC}}$  are kept high all the time. To gain acquisition time, the falling edge of  $\overline{\text{HOLDB}}$  takes place just before the falling edge of clock. One conversion requires 16 clock cycles. Here, data is read after the next conversion is initiated by  $\overline{\text{HOLDB}}$ . To read data from channel B, A1 is set high and A2 is low. As A0 is low during the first reading ( $\text{A2 A1 A0} = 010$ ) data B0 is put to the output. Before the second  $\overline{\text{RD}}$ , A0 switches high ( $\text{A2 A1 A0} = 011$ ) so data from channel B1 is read.

**Table 1. Timing Specifications**

SYMBOL	DESCRIPTION	MIN	TYP	MAX	UNITS
$t_1$	$\overline{\text{HOLD}}$ (A, B, C) before falling edge of clock	10			ns
$t_2$	$\overline{\text{HOLD}}$ high time to be recognized again	15			ns
$t_3$	$\overline{\text{HOLD}}$ low time	20			ns
$t_4$	Input capacitor charge time	175			ns
$t_5$	Clock period	125			ns
$t_6$	Clock high time	40			ns
$t_7$	Clock low time	40			ns
$t_8$	Reset pulse width	20			ns
$t_9$	First hold after reset	20			ns
$t_{10}$	Conversion time		$12.5 \times t_5$		ns
$t_{11}$	Successive conversion time ( $16 \times t_5$ )	2			$\mu\text{s}$
$t_{12}$	Address setup before $\overline{\text{RD}}$	10			ns
$t_{13}$	$\overline{\text{CS}}$ before end of $\overline{\text{RD}}$	30			ns
$t_{14}$	$\overline{\text{RD}}$ high time	30			ns

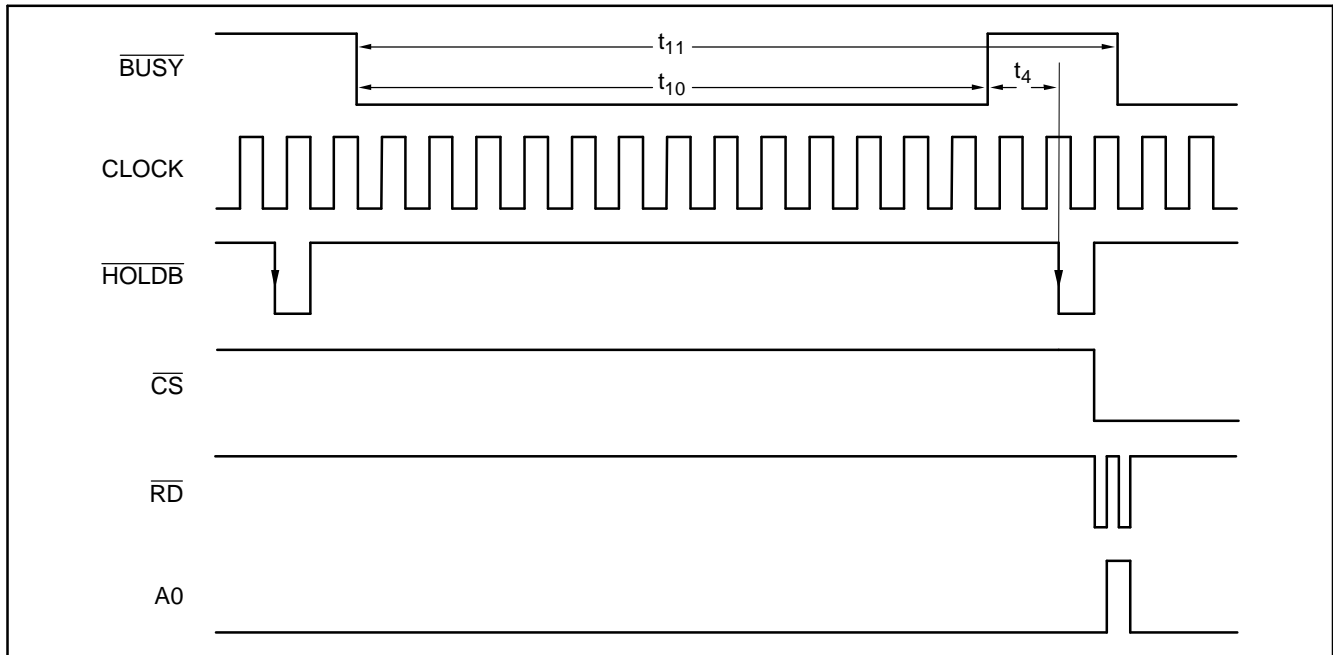


Figure 27. Timing of One Conversion Cycle

**READING DATA ( $\overline{\text{RD}}$ ,  $\overline{\text{CS}}$ )**—In general, the channel/data outputs are in tristate. Both  $\overline{\text{CS}}$  and  $\overline{\text{RD}}$  have to be low to enable these outputs.  $\overline{\text{RD}}$  and  $\overline{\text{CS}}$  have to stay low together for at least 30ns (see Figure 28,  $t_{13}$ ) before the output data is valid.  $\overline{\text{RD}}$  has to remain high for at least 30ns (see Figure 28,  $t_{14}$ ) before bringing it back low for a subsequent read command.

12.5 clock-cycles after the start of a conversion ( $\overline{\text{BUSY}}$  going low), the new data is latched into its output register. If a read process is initiated around 12.5 clock cycles after  $\overline{\text{BUSY}}$  went low,  $\overline{\text{RD}}$  and  $\overline{\text{CS}}$  should stay low for at least 50ns to get the new data stored to its register and switched to the output.

$\overline{\text{CS}}$  being low tells the ADS7864 that the bus on the board is assigned to the ADS7864. If an A/D converter shares a bus with digital gates, there is a possibility that digital (high frequency) noise may be coupled into the A/D converter. If the bus is just used by the ADS7864,  $\overline{\text{CS}}$  can be hardwired to ground. Reading data at the falling edge of one of the hold signals might cause distortion of the hold value.

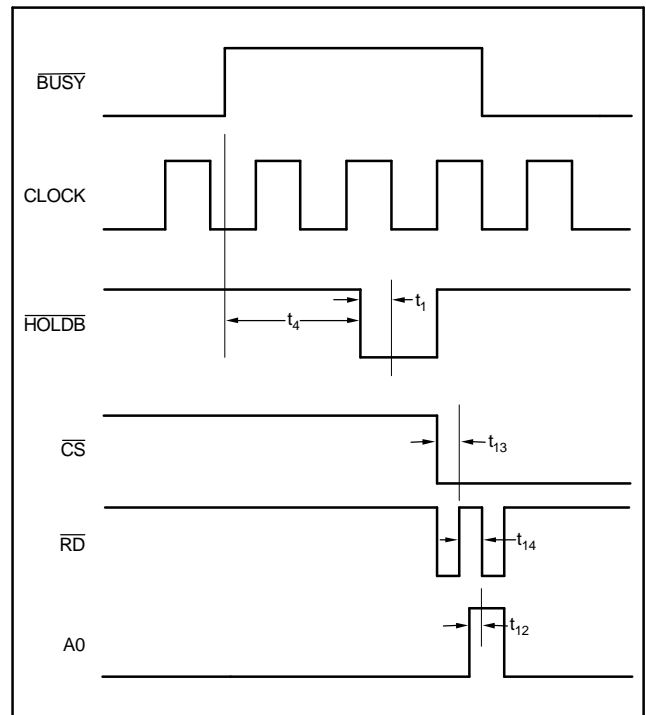


Figure 28. Timing for Reading Data



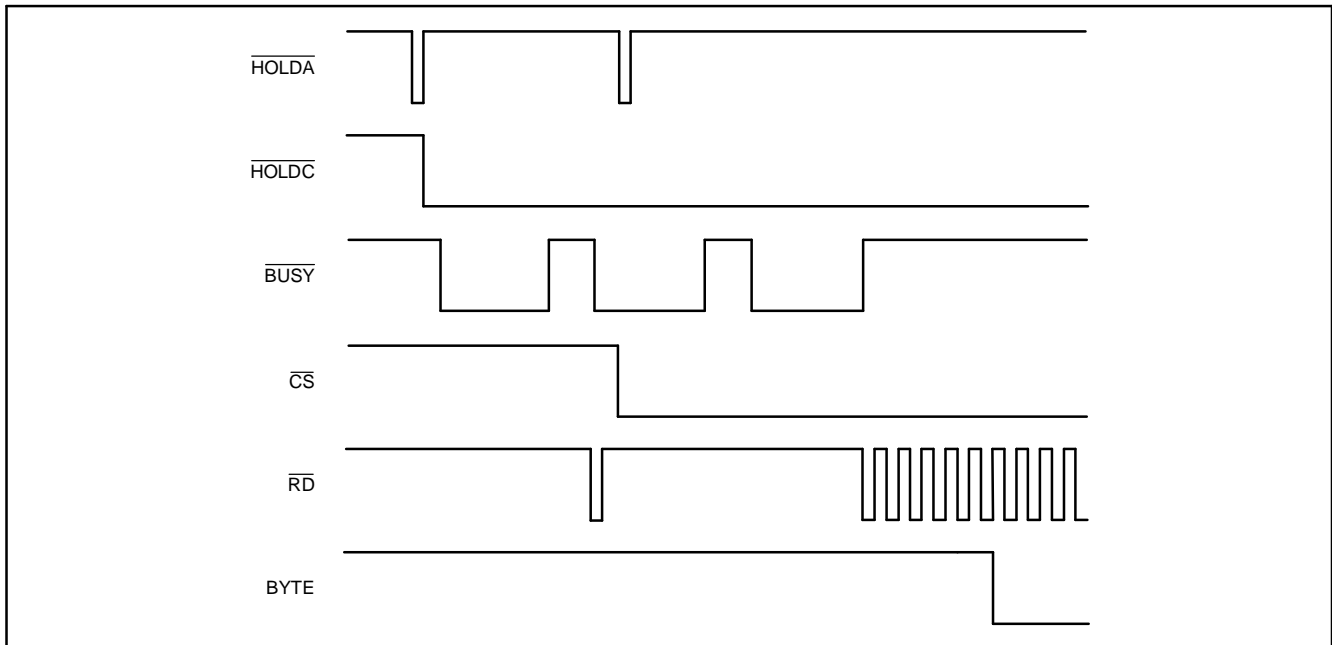
### OUTPUT CODE (DB15...DB0)

The ADS7864 has a 16-bit output word. DB15 is '1' if the output contains valid data. This is important for the FIFO mode. Valid Data can be read until DB15 switches to 0. DB14, DB13 and DB12 store channel information as indicated in [Table 2](#) (Channel Truth Table). The 12-bit output data is stored from DB11 (MSB) to DB0 (LSB).

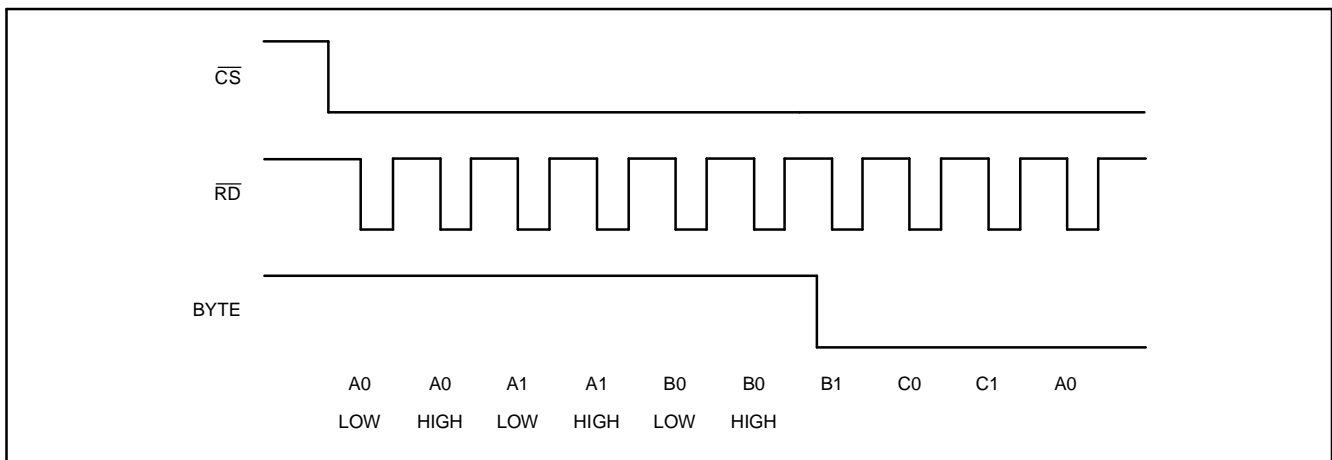
**BYTE**—If there is only an 8-bit bus available on a board, then Byte can be set high (see [Figure 29](#) and [Figure 30](#)). In this case, the lower eight bits can be read at the output pins DB7 to DB0 at the first  $\overline{RD}$  signal, and the higher bits after the second  $\overline{RD}$  signal.

**Table 2. Channel Truth Table**

DATA CHANNEL	DB14	DB13	DB12
A0	0	0	0
A1	0	0	1
B0	0	1	0
B1	0	1	1
C0	1	0	0
C1	1	0	1



**Figure 29. Reading Data in Cycling Mode**



**Figure 30. Reading Data in Cycling Mode**

### GETTING DATA

The ADS7864 has three different output modes that are selected with A2, A1 and A0. A2A1A0 are only active when  $\overline{RD}$  and  $\overline{CS}$  are both low. After a reset occurs, A2A1A0 are set to 000.

With (A2 A1 A0) = 000 to 101 a particular channel can directly be addressed (see Table 3 and Figure 27). The channel address should be set at least 10ns (see Figure 28,  $t_{12}$ ) before the falling edge of  $\overline{RD}$  and should not change as long as  $\overline{RD}$  is low.

**Table 3. Address/Mode Truth Table**

CHANNEL SELECTED/ MODE	A2	A1	A0
A0	0	0	0
A1	0	0	1
B0	0	1	0
B1	0	1	1
C0	1	0	0
C1	1	0	1
Cycle Mode	1	1	0
FIFO Mode	1	1	1

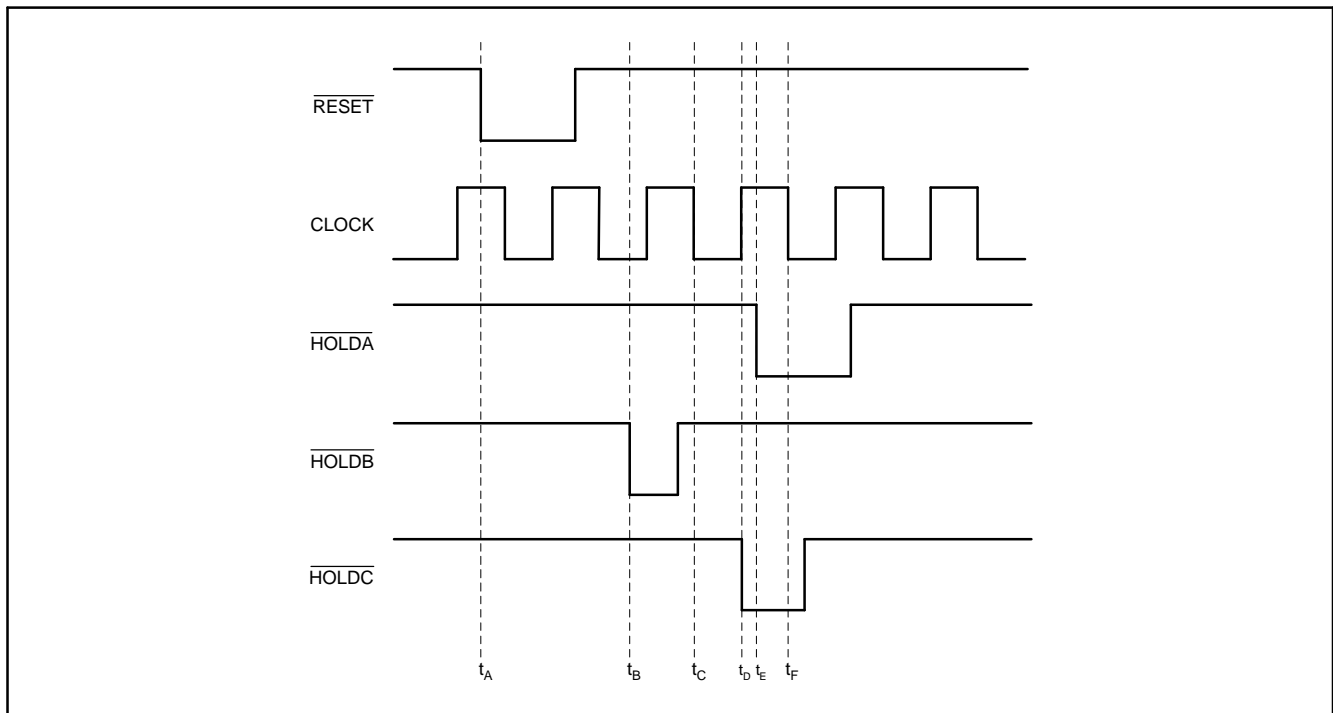
With (A2 A1 A0) = 110 the interface is running in a cycle mode (see Figure 29 and Figure 30). Here, data

from channel A0 is read on the first  $\overline{RD}$  signal, then A1 on the second, followed by B0, B1, C0 and finally C1 before reading A0 again. Data from channel A0 is brought to the output first after a reset-signal or after powering the part up.

The third mode is a FIFO mode that is addressed with (A2 A1 A0 = 111). Data of the channel that is converted first will be read first. So, if a particular channel is most interesting and is converted more frequently (e.g., to get a history of a particular channel) then there are three output registers per channel available to store data. When the ADS7864 is operated in the FIFO mode, an initial  $\overline{RD}/\overline{CS}$  is necessary (after power up and after reset), so that the internal address is set to '111', before the first conversion starts.

If a read process is just going on ( $\overline{RD}$  signal low) and new data has to be stored, then the ADS7864 will wait until the read process is finished ( $\overline{RD}$  signal going high) before the new data gets latched into its output register.

At time  $t_A$  (see Figure 31) the ADS7864 resets. With the reset signal, all conversions and scheduled conversions are cancelled. The data in the output registers are also cleared. With a reset, a running conversion gets interrupted and all channels go into the sample mode again.



**Figure 31. Example of Hold Signals**

At time  $t_B$  a  $\overline{\text{HOLDB}}$  signal occurs. With the next falling clock edge ( $t_C$ ) the ADS7864 puts channel B into the loop to be converted next. As the reset signal occurred at  $t_A$ , the conversion of channel B will be started with the next rising edge of the clock after  $t_C$ .

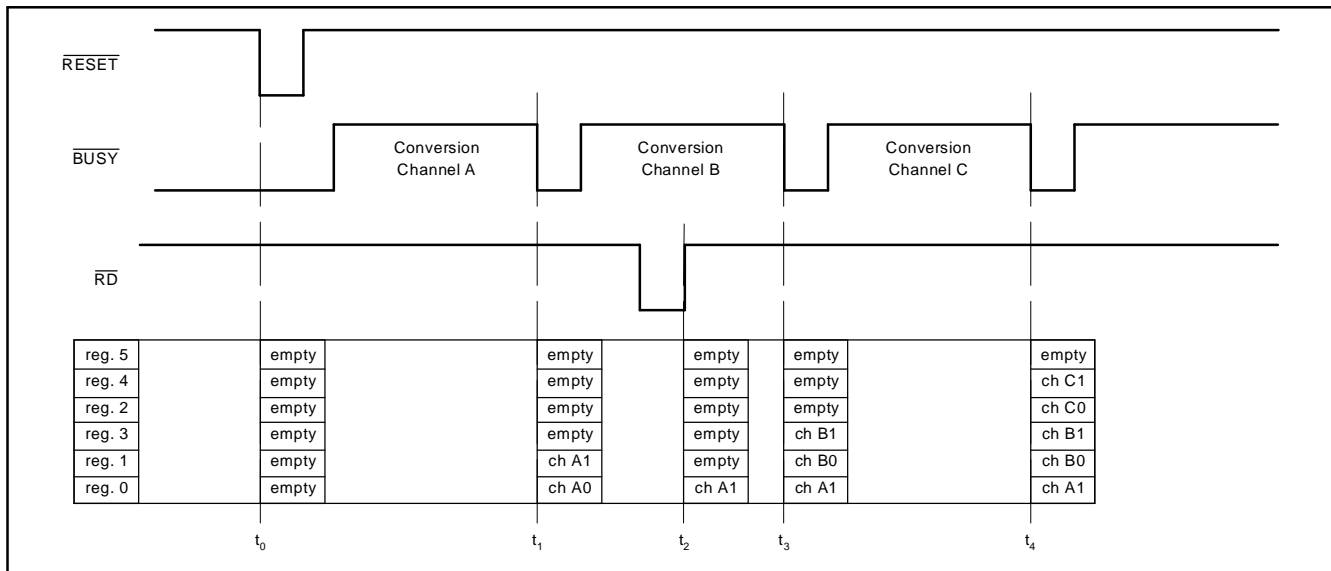
Within the next clock cycle ( $t_C$  to  $t_F$ ),  $\overline{\text{HOLDC}}$  ( $t_D$ ) and  $\overline{\text{HOLDA}}$  ( $t_E$ ) occur. If more than one hold signals get active within one clock cycle, channel A will be converted first. Therefore, as soon as the conversion of channel B is done, the conversion of channel A will be initiated. After this second conversion, channel C will be converted.

The 16 bit output word has following structure:

Valid Data	3-Bit Channel Information	12-Bit Data Word
------------	---------------------------	------------------

Bit 15 shows if the FIFO is empty (low) or if it contains channel information (high). Bits 12 to 14 contain the Channel for the 12-bit data word (Bit 0 to 11). If the data is from channel A0, then bits 14 to 12 are '000'. The Channel bit pattern is outlined in [Table 2](#) (Channel Truth Table).

New data is always written into the next available register. At  $t_0$  (see [Figure 32](#)), the reset deletes all the existing data. At  $t_1$  the new data of the channels A0 and A1 are put into registers 0 and 1. On  $t_2$  the read process of channel A0 data is finished. Therefore, this data is dumped and A1 data is shifted to register 0. At  $t_3$  new data is available, this time from channel B0 and B1. This data is written into the next available registers (register 1 and 2). The new data of channel C0 and C1 at  $t_4$  is put on top (registers 3 and 4).



**Figure 32. Functionality Diagram of FIFO Registers**

## LAYOUT

For optimum performance, care should be taken with the physical layout of the ADS7864 circuitry. This is particularly true if the CLOCK input is approaching the maximum throughput rate. The basic SAR architecture is sensitive to glitches or sudden changes on the power supply, reference, ground connections and digital inputs that occur just prior to latching the output of the analog comparator. Thus, driving any single conversion for an n-bit SAR converter, there are  $n$  'windows' in which large external transient voltages can affect the conversion result. Such glitches might originate from switching power supplies, nearby digital logic or high power devices. The degree of error in the digital output depends on the reference voltage, layout, and the exact timing of the external event. These errors can change if the external event changes in time with respect to the CLOCK input. With this in mind, power to the ADS7864 should be clean and well-bypassed. A 0.1 $\mu$ F ceramic bypass capacitor should be placed as close to the device as possible. In addition, a 1 $\mu$ F to

10 $\mu$ F capacitor is recommended. If needed, an even larger capacitor and a 5 $\Omega$  or 10 $\Omega$  series resistor may be used to low-pass filter a noisy supply. On average, the ADS7864 draws very little current from an external reference as the reference voltage is internally buffered. If the reference voltage is external and originates from an op amp, make sure that it can drive the bypass capacitor or capacitors without oscillation. A bypass capacitor must not be used when using the internal reference (tie pin 33 directly to pin 34). The AGND and DGND pins should be connected to a clean ground point. In all cases, this should be the 'analog' ground. Avoid connections which are too close to the grounding point of a microcontroller or digital signal processor. If required, run a ground trace directly from the converter to the power supply entry point. The ideal layout will include an analog ground plane dedicated to the converter and associated analog circuitry.

**PACKAGING INFORMATION**

Orderable Device	Status <sup>(1)</sup>	Package Type	Package Drawing	Pins	Package Qty	Eco Plan <sup>(2)</sup>	Lead/Ball Finish	MSL Peak Temp <sup>(3)</sup>
ADS7864Y/250	ACTIVE	TQFP	PFB	48	250	Green (RoHS & no Sb/Br)	CU NIPDAU	Level-2-260C-1 YEAR
ADS7864Y/250G4	ACTIVE	TQFP	PFB	48	250	Green (RoHS & no Sb/Br)	CU NIPDAU	Level-2-260C-1 YEAR
ADS7864Y/2K	ACTIVE	TQFP	PFB	48	2000	Green (RoHS & no Sb/Br)	CU NIPDAU	Level-2-260C-1 YEAR
ADS7864Y/2KG4	ACTIVE	TQFP	PFB	48	2000	Green (RoHS & no Sb/Br)	CU NIPDAU	Level-2-260C-1 YEAR
ADS7864YB/250	ACTIVE	TQFP	PFB	48	250	Green (RoHS & no Sb/Br)	CU NIPDAU	Level-2-260C-1 YEAR
ADS7864YB/250G4	ACTIVE	TQFP	PFB	48	250	Green (RoHS & no Sb/Br)	CU NIPDAU	Level-2-260C-1 YEAR
ADS7864YB/2K	ACTIVE	TQFP	PFB	48	2000	Green (RoHS & no Sb/Br)	CU NIPDAU	Level-2-260C-1 YEAR
ADS7864YB/2KG4	ACTIVE	TQFP	PFB	48	2000	Green (RoHS & no Sb/Br)	CU NIPDAU	Level-2-260C-1 YEAR

<sup>(1)</sup> The marketing status values are defined as follows:

**ACTIVE:** Product device recommended for new designs.

**LIFEBUY:** TI has announced that the device will be discontinued, and a lifetime-buy period is in effect.

**NRND:** Not recommended for new designs. Device is in production to support existing customers, but TI does not recommend using this part in a new design.

**PREVIEW:** Device has been announced but is not in production. Samples may or may not be available.

**OBSOLETE:** TI has discontinued the production of the device.

<sup>(2)</sup> Eco Plan - The planned eco-friendly classification: Pb-Free (RoHS), Pb-Free (RoHS Exempt), or Green (RoHS & no Sb/Br) - please check <http://www.ti.com/productcontent> for the latest availability information and additional product content details.

**TBD:** The Pb-Free/Green conversion plan has not been defined.

**Pb-Free (RoHS):** TI's terms "Lead-Free" or "Pb-Free" mean semiconductor products that are compatible with the current RoHS requirements for all 6 substances, including the requirement that lead not exceed 0.1% by weight in homogeneous materials. Where designed to be soldered at high temperatures, TI Pb-Free products are suitable for use in specified lead-free processes.

**Pb-Free (RoHS Exempt):** This component has a RoHS exemption for either 1) lead-based flip-chip solder bumps used between the die and package, or 2) lead-based die adhesive used between the die and leadframe. The component is otherwise considered Pb-Free (RoHS compatible) as defined above.

**Green (RoHS & no Sb/Br):** TI defines "Green" to mean Pb-Free (RoHS compatible), and free of Bromine (Br) and Antimony (Sb) based flame retardants (Br or Sb do not exceed 0.1% by weight in homogeneous material)

<sup>(3)</sup> MSL, Peak Temp. -- The Moisture Sensitivity Level rating according to the JEDEC industry standard classifications, and peak solder temperature.

**Important Information and Disclaimer:**The information provided on this page represents TI's knowledge and belief as of the date that it is provided. TI bases its knowledge and belief on information provided by third parties, and makes no representation or warranty as to the accuracy of such information. Efforts are underway to better integrate information from third parties. TI has taken and continues to take reasonable steps to provide representative and accurate information but may not have conducted destructive testing or chemical analysis on incoming materials and chemicals. TI and TI suppliers consider certain information to be proprietary, and thus CAS numbers and other limited information may not be available for release.

In no event shall TI's liability arising out of such information exceed the total purchase price of the TI part(s) at issue in this document sold by TI to Customer on an annual basis.

**TAPE AND REEL INFORMATION**



**QUADRANT ASSIGNMENTS FOR PIN 1 ORIENTATION IN TAPE**



\*All dimensions are nominal

Device	Package Type	Package Drawing	Pins	SPQ	Reel Diameter (mm)	Reel Width W1 (mm)	A0 (mm)	B0 (mm)	K0 (mm)	P1 (mm)	W (mm)	Pin1 Quadrant
ADS7864Y/250	TQFP	PFB	48	250	330.0	16.4	9.6	9.6	1.5	12.0	16.0	Q2
ADS7864Y/2K	TQFP	PFB	48	2000	330.0	16.4	9.6	9.6	1.5	12.0	16.0	Q2
ADS7864YB/250	TQFP	PFB	48	250	330.0	16.4	9.6	9.6	1.5	12.0	16.0	Q2
ADS7864YB/2K	TQFP	PFB	48	2000	330.0	16.4	9.6	9.6	1.5	12.0	16.0	Q2

**TAPE AND REEL BOX DIMENSIONS**

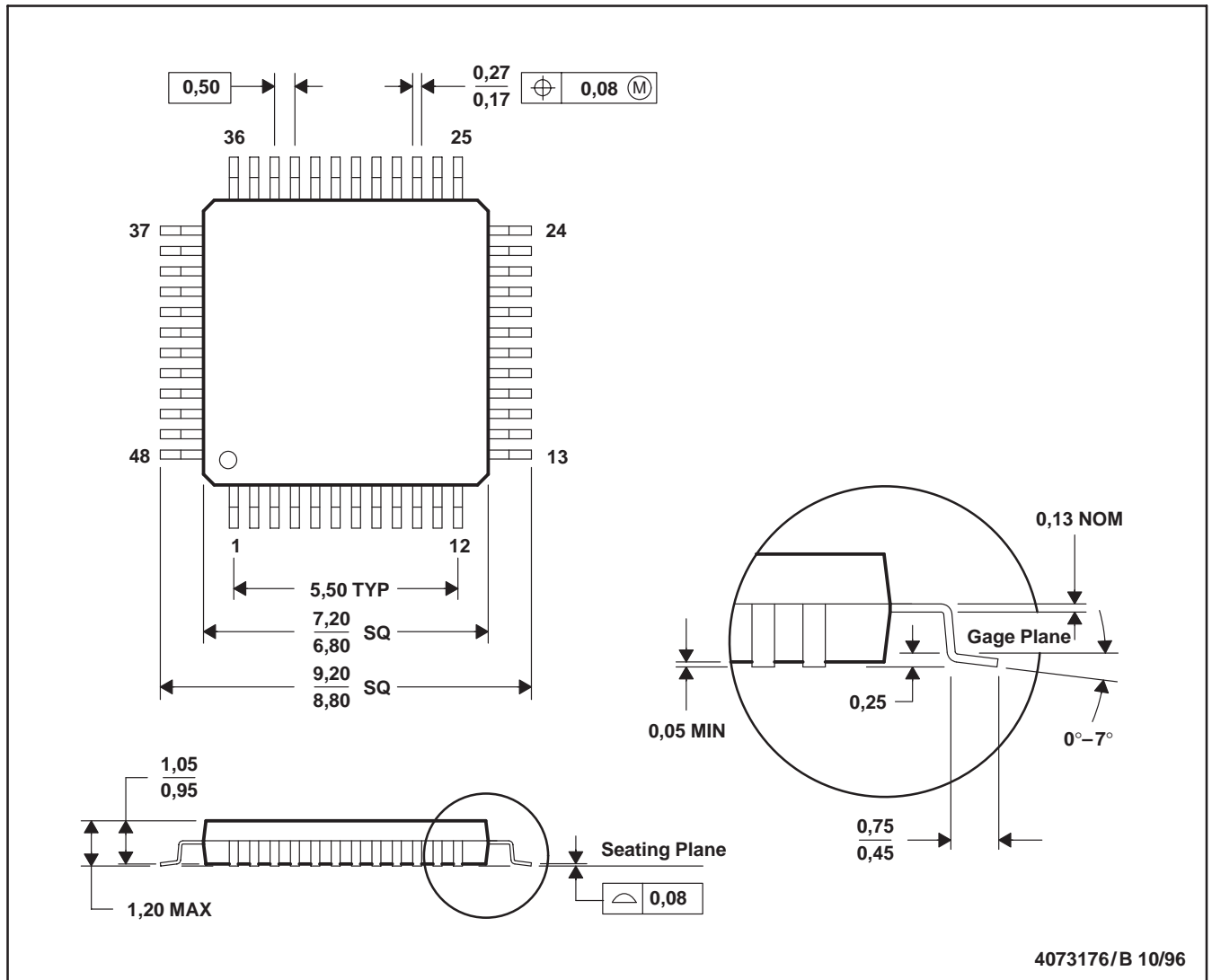


\*All dimensions are nominal

Device	Package Type	Package Drawing	Pins	SPQ	Length (mm)	Width (mm)	Height (mm)
ADS7864Y/250	TQFP	PFB	48	250	346.0	346.0	33.0
ADS7864Y/2K	TQFP	PFB	48	2000	346.0	346.0	33.0
ADS7864YB/250	TQFP	PFB	48	250	346.0	346.0	33.0
ADS7864YB/2K	TQFP	PFB	48	2000	346.0	346.0	33.0

PFB (S-PQFP-G48)

PLASTIC QUAD FLATPACK



- NOTES: A. All linear dimensions are in millimeters.  
 B. This drawing is subject to change without notice.  
 C. Falls within JEDEC MS-026



PFB (S-PQFP-G48)



4209366/A 03/08

- NOTES:
- A. All linear dimensions are in millimeters.
  - B. This drawing is subject to change without notice.
  - C. Publication IPC-7351 is recommended for alternate designs.
  - D. Laser cutting apertures with trapezoidal walls and also rounding corners will offer better paste release. Customers should contact their board assembly site for stencil design recommendations. Refer to IPC-7525.
  - E. Customers should contact their board fabrication site for solder mask tolerances between and around signal pads.

## IMPORTANT NOTICE

Texas Instruments Incorporated and its subsidiaries (TI) reserve the right to make corrections, modifications, enhancements, improvements, and other changes to its products and services at any time and to discontinue any product or service without notice. Customers should obtain the latest relevant information before placing orders and should verify that such information is current and complete. All products are sold subject to TI's terms and conditions of sale supplied at the time of order acknowledgment.

TI warrants performance of its hardware products to the specifications applicable at the time of sale in accordance with TI's standard warranty. Testing and other quality control techniques are used to the extent TI deems necessary to support this warranty. Except where mandated by government requirements, testing of all parameters of each product is not necessarily performed.

TI assumes no liability for applications assistance or customer product design. Customers are responsible for their products and applications using TI components. To minimize the risks associated with customer products and applications, customers should provide adequate design and operating safeguards.

TI does not warrant or represent that any license, either express or implied, is granted under any TI patent right, copyright, mask work right, or other TI intellectual property right relating to any combination, machine, or process in which TI products or services are used. Information published by TI regarding third-party products or services does not constitute a license from TI to use such products or services or a warranty or endorsement thereof. Use of such information may require a license from a third party under the patents or other intellectual property of the third party, or a license from TI under the patents or other intellectual property of TI.

Reproduction of TI information in TI data books or data sheets is permissible only if reproduction is without alteration and is accompanied by all associated warranties, conditions, limitations, and notices. Reproduction of this information with alteration is an unfair and deceptive business practice. TI is not responsible or liable for such altered documentation. Information of third parties may be subject to additional restrictions.

Resale of TI products or services with statements different from or beyond the parameters stated by TI for that product or service voids all express and any implied warranties for the associated TI product or service and is an unfair and deceptive business practice. TI is not responsible or liable for any such statements.

TI products are not authorized for use in safety-critical applications (such as life support) where a failure of the TI product would reasonably be expected to cause severe personal injury or death, unless officers of the parties have executed an agreement specifically governing such use. Buyers represent that they have all necessary expertise in the safety and regulatory ramifications of their applications, and acknowledge and agree that they are solely responsible for all legal, regulatory and safety-related requirements concerning their products and any use of TI products in such safety-critical applications, notwithstanding any applications-related information or support that may be provided by TI. Further, Buyers must fully indemnify TI and its representatives against any damages arising out of the use of TI products in such safety-critical applications.

TI products are neither designed nor intended for use in military/aerospace applications or environments unless the TI products are specifically designated by TI as military-grade or "enhanced plastic." Only products designated by TI as military-grade meet military specifications. Buyers acknowledge and agree that any such use of TI products which TI has not designated as military-grade is solely at the Buyer's risk, and that they are solely responsible for compliance with all legal and regulatory requirements in connection with such use.

TI products are neither designed nor intended for use in automotive applications or environments unless the specific TI products are designated by TI as compliant with ISO/TS 16949 requirements. Buyers acknowledge and agree that, if they use any non-designated products in automotive applications, TI will not be responsible for any failure to meet such requirements.

Following are URLs where you can obtain information on other Texas Instruments products and application solutions:

### Products

Amplifiers	<a href="http://amplifier.ti.com">amplifier.ti.com</a>
Data Converters	<a href="http://dataconverter.ti.com">dataconverter.ti.com</a>
DSP	<a href="http://dsp.ti.com">dsp.ti.com</a>
Clocks and Timers	<a href="http://www.ti.com/clocks">www.ti.com/clocks</a>
Interface	<a href="http://interface.ti.com">interface.ti.com</a>
Logic	<a href="http://logic.ti.com">logic.ti.com</a>
Power Mgmt	<a href="http://power.ti.com">power.ti.com</a>
Microcontrollers	<a href="http://microcontroller.ti.com">microcontroller.ti.com</a>
RFID	<a href="http://www.ti-rfid.com">www.ti-rfid.com</a>
RF/IF and ZigBee® Solutions	<a href="http://www.ti.com/lprf">www.ti.com/lprf</a>

### Applications

Audio	<a href="http://www.ti.com/audio">www.ti.com/audio</a>
Automotive	<a href="http://www.ti.com/automotive">www.ti.com/automotive</a>
Broadband	<a href="http://www.ti.com/broadband">www.ti.com/broadband</a>
Digital Control	<a href="http://www.ti.com/digitalcontrol">www.ti.com/digitalcontrol</a>
Medical	<a href="http://www.ti.com/medical">www.ti.com/medical</a>
Military	<a href="http://www.ti.com/military">www.ti.com/military</a>
Optical Networking	<a href="http://www.ti.com/opticalnetwork">www.ti.com/opticalnetwork</a>
Security	<a href="http://www.ti.com/security">www.ti.com/security</a>
Telephony	<a href="http://www.ti.com/telephony">www.ti.com/telephony</a>
Video & Imaging	<a href="http://www.ti.com/video">www.ti.com/video</a>
Wireless	<a href="http://www.ti.com/wireless">www.ti.com/wireless</a>

Mailing Address: Texas Instruments, Post Office Box 655303, Dallas, Texas 75265  
Copyright © 2008, Texas Instruments Incorporated