



2.2V to 5.5V, Low-Power, 12-Bit, 100kSPS, 8-Channel Data Acquisition System with PGA and SPI™ Interface

Check for Samples: [ADS8201](#)

FEATURES

- **Low-Power, Flexible Supply Range:**
 - 2.2V to 5.5V Analog Supply
 - 1.32mW (100kHz, +VA = 2.2V, +VD = 2.2V)
 - 4.5mW (100kHz, +VA = 5V, +VD = 5V)
- **Up to 100kSPS Throughput Rate**
- **Excellent DC Performance:**
 - ± 0.5 LSB typ, ± 1.5 LSB max INL
 - ± 0.5 LSB typ, ± 1.0 LSB max DNL
 - ± 6 LSB Offset Error at +VA = 5V
 - $\pm 0.1\%$ FS Gain Error at +VA = 5V
- **Flexible Analog Inputs:**
 - True Differential Input
 - Differential/Unipolar Input Range (0 to V_{REF})
 - TAG Bit Output
 - Programmable Averaging Function
 - Onboard, Eight Single-Ended/Four Differential Channel Mux:
 - High Input Impedance
 - High-Performance PGA (Gain = 1/2/4/8)
 - PGA Breakout
 - Auto/Manual Channel Select with Gain
 - Auto/Manual Trigger
 - Mixed Type Partial Scan
- **Built-in Hardware Features:**
 - On-chip Conversion Clock (CCLK)
 - Hardware/Software Reset
 - Programmable Status/Polarity for BUSY/INT
- **Flexible I/O:**
 - SPI-/ DSP™-Compatible Serial Interface
 - Separate I/O Supply (2.2V to 5.5V)
 - Onboard 8x1 FIFO Buffer
 - SCLK up to 25MHz (VD = 5V)

- **Multi-Chip Ready and Fully Enabled:**
 - Global \overline{CONVST} (Independent of \overline{CS})
- **Power-Down Mode**
- **24-Pin 4x4 QFN Package**

APPLICATIONS

- **Portable Communications**
- **Transducer Interfaces**
- **Portable Medical Instruments**
- **Data Acquisition Systems**
- **GPS Chipsets**

DESCRIPTION

The ADS8201 is a low-power, complete on-chip data acquisition system optimized for portable applications that require direct connections, wide dynamic range, and automatic operation with very low power consumption. The device includes a 12-bit, capacitor-based, successive approximation register (SAR) analog-to-digital converter (ADC); a high-performance, continuous-time programmable gain amplifier (PGA); and a fully automatic scan, 8-to-1 multiplexer (mux) with breakout to allow for system design flexibility.

Many other features are included to further optimize system operation. Conversion results may be saved in an onboard first-in/first-out (FIFO) buffer and read out at a later time. Each channel has a gain setting that can be loaded automatically when it is selected. To simplify the serial port design, the ADS8201 offers a high-speed, wide-voltage serial interface. The ADS8201 is ideal for sensor applications (for example, bridge sensors, pressure sensors, accelerometers, gyrosensors, temperature sensors, etc.) as used in gaming and navigation.

The ADS8201 is available in a 24-lead, 4x4 QFN package, and is specified over the -40°C to $+85^{\circ}\text{C}$ industrial temperature range.



Please be aware that an important notice concerning availability, standard warranty, and use in critical applications of Texas Instruments semiconductor products and disclaimers thereto appears at the end of this data sheet.

DSP is a trademark of Texas Instruments.

SPI is a trademark of Motorola Inc.

All other trademarks are the property of their respective owners.



This integrated circuit can be damaged by ESD. Texas Instruments recommends that all integrated circuits be handled with appropriate precautions. Failure to observe proper handling and installation procedures can cause damage.

ESD damage can range from subtle performance degradation to complete device failure. Precision integrated circuits may be more susceptible to damage because very small parametric changes could cause the device not to meet its published specifications.

ORDERING INFORMATION⁽¹⁾

PRODUCT	MAXIMUM INTEGRAL LINEARITY ERROR (LSB)	MAXIMUM DIFFERENTIAL LINEARITY (LSB)	MAXIMUM OFFSET ERROR (LSB)	PACKAGE-LEAD	PACKAGE DESIGNATOR	SPECIFIED TEMPERATURE RANGE	PACKAGE MARKING	ORDERING NUMBER	TRANSPORT MEDIA, QUANTITY
ADS8201I	±1.5	±1	±6	QFN-24	RGE	-40°C to +85°C	ADS8201	ADS8201IRGET	Tape and Reel, 250
								ADS8201IRGER	Tape and Reel, 3000

(1) For the most current package and ordering information, see the Package Option Addendum located at the end of this data sheet, or see the TI website at www.ti.com.

ABSOLUTE MAXIMUM RATINGS⁽¹⁾

Over operating free-air temperature range, unless otherwise noted.

		ADS8201I	UNIT
Voltage	+IN _I to AGND	-0.3 to +VA +0.3	V
	-IN _I to AGND	-0.3 to +VA +0.3	V
Voltage range	+VA to AGND	-0.3 to 7	V
	+VD to DGND	-0.3 to 7	V
	AGND to DGND	-0.3 to +0.3	V
Digital input voltage to DGND		-0.3 to VD +0.3	V
Digital output voltage to DGND		-0.3 to VD +0.3	
Operating free-air temperature range, T _A		-40 to +85	°C
Storage temperature range, T _{STG}		-65 to +150	°C
Junction temperature, T _J max		+150	°C
Package dissipation ratings: 4 × 4 QFN-16		(T _J max - T _A)/θ _{JA}	
Thermal impedance, θ _{JA}		46	°C/W

(1) Stresses above these ratings may cause permanent damage. Exposure to absolute maximum conditions for extended periods may degrade device reliability. These are stress ratings only, and functional operation of the device at these or any other conditions beyond those specified is not supported.

ELECTRICAL CHARACTERISTICS

At T_A = -40°C to +85°C, 2.2V < VA = V_{REF} < 5.5V, 2.2V < VD < 5.5V, f_{SAMPLE} = 100kHz, and gain = 1, unless otherwise noted.

PARAMETER	TEST CONDITIONS	ADS8201I			UNIT
		MIN	TYP	MAX	
ANALOG INPUT (IN0 to IN7)					
FSR	Full-scale input range	(IN _I - IN _{I-1}), gain = 1		0	V
V _{IN}	Absolute input voltage range	+IN _I pin		AGND + 0.1	V
C _{IN}	Input capacitance	With input selected		4	pF
I _{IL}	Input leakage current	No mux switching, dc input		1	nA
	Input channel crosstalk	IN = V _{REF} /2, IN _{I+1} , IN _{I-1} = 0 - V _{REF} span at 1kHz		105	dB

ELECTRICAL CHARACTERISTICS (continued)

 At $T_A = -40^\circ\text{C}$ to $+85^\circ\text{C}$, $2.2\text{V} < V_A = V_{\text{REF}} < 5.5\text{V}$, $2.2\text{V} < V_D < 5.5\text{V}$, $f_{\text{SAMPLE}} = 100\text{kHz}$, and gain = 1, unless otherwise noted.

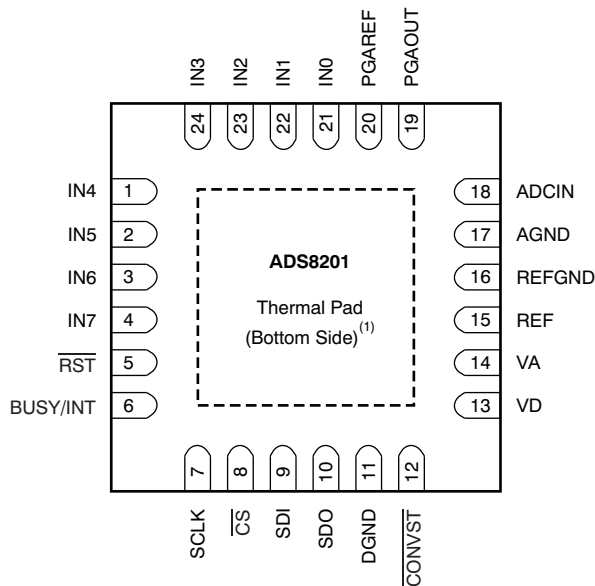
PARAMETER	TEST CONDITIONS	ADS8201			UNIT	
		MIN	TYP	MAX		
DC ACCURACY						
	Resolution		12		Bits	
	No missing codes	12			Bits	
INL	Integral nonlinearity	-1.5	±0.5	+1.5	LSB	
DNL	Differential nonlinearity	-1	±0.5	+1	LSB	
V_{OS}	Offset error ⁽¹⁾	-6	3	+6	LSB	
	Offset error drift		0.2		ppm/°C	
	End-point error	Single-ended input, gain = 1	-0.1	+0.1	%	
G_{ERR}	Gain error	All gains	-0.1	0.05	+0.1	%
	Gain error drift		0.3		ppm/°C	
CMRR	Common-mode rejection ratio	At dc, PGAREF = $V_{\text{REF}}/2$		66		dB
	Noise			600		μV_{RMS}
PSS	Power-supply sensitivity			0.8		LSB
PSRR	Power-supply rejection ratio			68		dB
SAMPLING DYNAMICS						
t_{CONV}	Conversion time		10		μs	
	Throughput rate		100		kHz	
CLOCK						
f_{CLK}	Internal conversion clock frequency		3.2	4	4.8	MHz
SCLK	External serial clock	Used as I/O clock			25	MHz
EXTERNAL REFERENCE INPUT						
V_{REF}	Input voltage range, $V_{\text{REF}} = (\text{REF}+ - \text{REFGND})$	$2.2\text{V} \leq V_A \leq 5.5\text{V}$	2.048		VA	V
R_{REF}	Reference input resistance			360		k Ω
DIGITAL INPUT/OUTPUT						
	Logic family		CMOS			
V_{IH}	High-level input voltage	$V_D \geq 2.2\text{V}$	$0.80 \times (+V_D)$		$+V_D + 0.3$	V
V_{IL}	Low-level input voltage	$V_D \geq 2.2\text{V}$	-0.3		$0.20 \times (+V_D)$	V
I_{IN}	Input current	$V_{\text{IN}} = +V_D$ or DGND		10		nA
C_{IN}	Input capacitance			5		pF
V_{OH}	High-level output voltage	$V_D \geq 2.2\text{V}$, $I_{\text{OUT}} = 100\mu\text{A}$	$0.8 \times (+V_D)$			V
V_{OL}	Low-level output voltage	$V_D \geq 2.2\text{V}$, $I_{\text{OUT}} = 100\mu\text{A}$	0		$0.2 \times (+V_D)$	V
C_{OUT}	Output capacitance			10		pF
C_{LOAD}	Load capacitance				100	pF
	Data format		Straight Binary			
POWER SUPPLY						
V_D	Digital supply voltage		2.2		5.5	V
V_A	Analog supply voltage		2.2		5.5	V
$I_{\text{QA}} + I_{\text{QD}}$	Supply current	$V_A = 5\text{V}$		900	1500	μA
		$V_A = 2.2\text{V}$		600		μA
I_{PD}	Power-down current ⁽²⁾	$V_{\text{IN}} = \text{FS}$ at $V_{\text{REF}} = 5\text{V}$, gain = 1		0.5	2	μA
P_{DISS}	Power dissipation	$V_A = 5\text{V}$		4.5	7.5	mW
		$V_A = 2.2\text{V}$		1.32		mW
TEMPERATURE RANGE						
T_A	Operating		-40		85	°C

(1) Includes mux + PGA + ADC offset error.

(2) With SCLK disabled.

PIN CONFIGURATION

RGE PACKAGE QFN-24 (TOP VIEW)



(1) Thermal pad should be tied to AGND.

PIN DESCRIPTIONS

PIN		I/O	DESCRIPTION
NAME	NO.		
IN4	1	I	Input channel single-ended 4 or differential pair 3
IN5	2	I	Input channel single-ended 5 or differential pair 3
IN6	3	I	Input channel single-ended 6 or differential pair 4
IN7	4	I	Input channel single-ended 7 or differential pair 4
$\overline{\text{RST}}$	5	I	External hardware reset
BUSY/INT	6	O	Status output. If programmed as the BUSY pin, this pin is low (default) when a conversion is in progress. If programmed as an interrupt (INT), this pin is low for a preprogrammed duration after the end of a conversion and valid data are to be output. The polarity of either BUSY or INT is programmable.
SCLK	7	I	Serial interface clock
$\overline{\text{CS}}$	8	I	Chip select input for SPI interface slave select ($\overline{\text{SS}}$)
SDI	9	I	Serial data in
SDO	10	O	Serial data out
DGND	11	I/O	Interface ground
$\overline{\text{CONVST}}$	12	I	Starts conversion
VD	13	I	Interface supply
VA	14	I	Analog supply (+2.2VDC to +5.5VDC)
REF	15	I	External reference input
REFGND	16	I/O	Reference ground
AGND	17	I/O	Analog ground
ADCIN	18	I	ADC input
PGAOUT	19	O	Mux output. Output can be further filtered before sending to ADCIN.
PGAREF	20	I	PGA Reference
IN0	21	I	Analog channel single-ended 0 or differential pair 0
IN1	22	I	Analog channel single-ended 1 or differential pair 0
IN2	23	I	Analog channel single-ended 2 or differential pair 1
IN3	24	I	Analog channel single-ended 3 or differential pair 1

TIMING CHARACTERISTICS

All specifications typical at -40°C to $+85^{\circ}\text{C}$, $2.2\text{V} < V_A = V_{\text{REF}} < 5.5\text{V}$, and $2.2\text{V} < V_D < 5.5\text{V}$, unless otherwise noted.

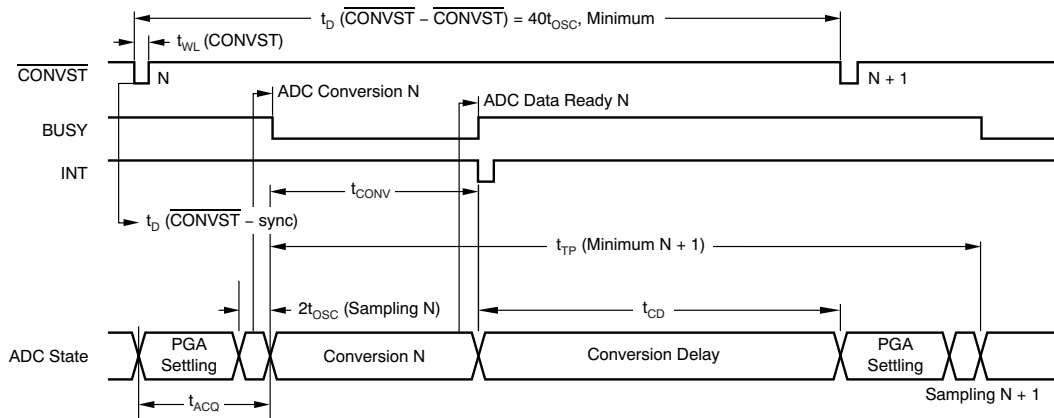


Figure 1. Convert Timing

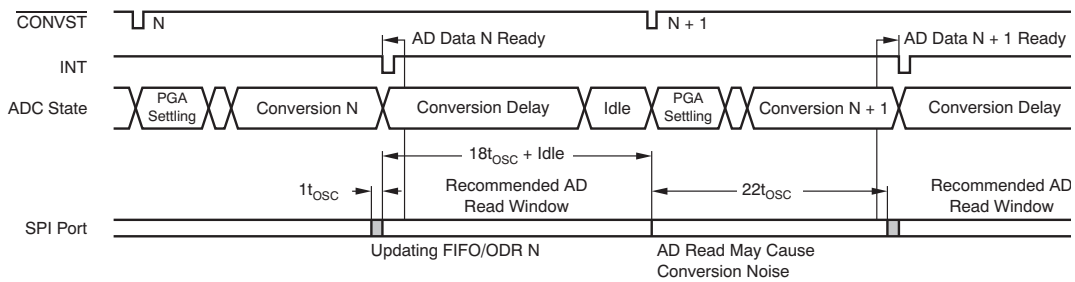


Figure 2. Read Timing

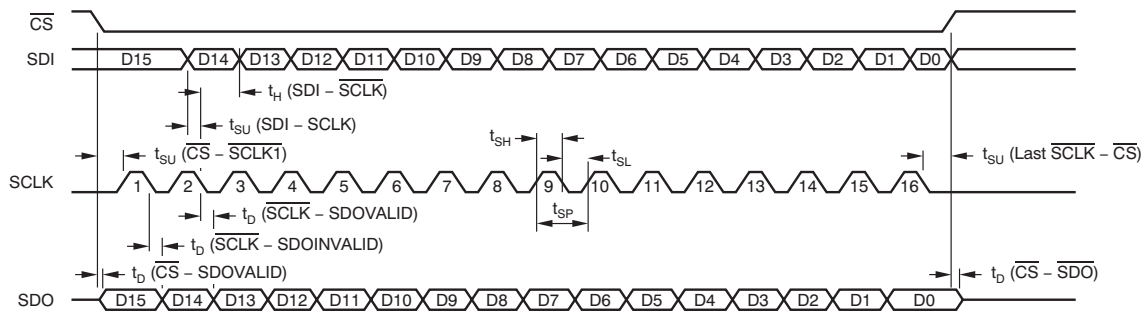


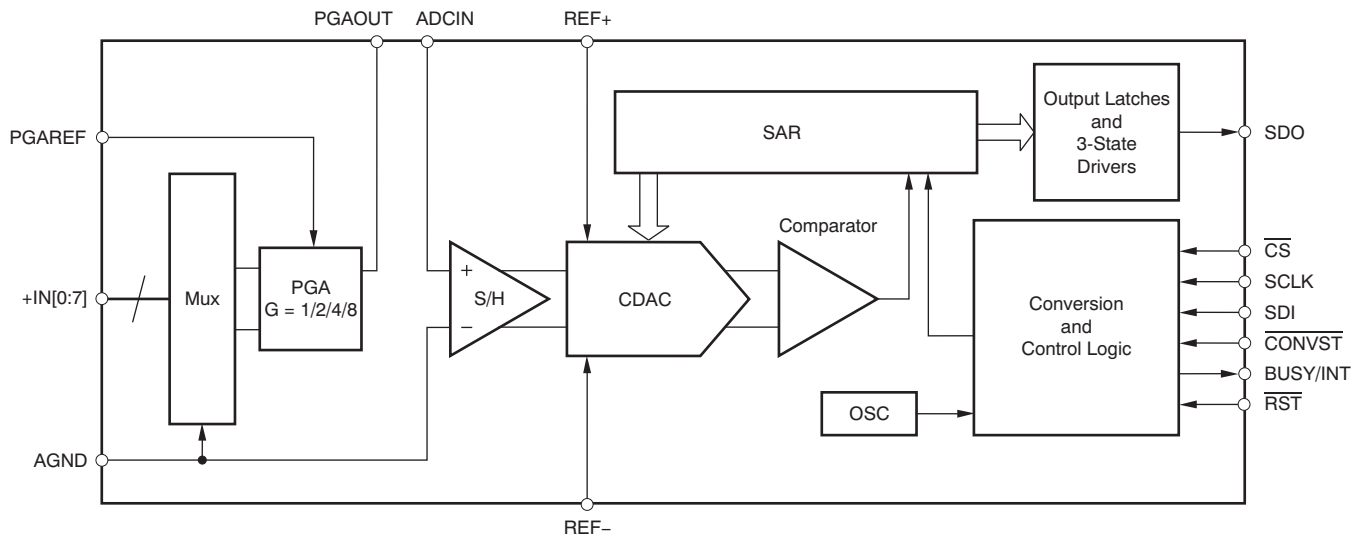
Figure 3. SPI Convert Timing

TIMING CHARACTERISTICS (continued)

Table 1. Timing Specifications

PARAMETER	TEST CONDITIONS	MIN	TYP	MAX	UNIT
t _{WL}	CONVST (Convert Start) pulse width	40			ns
t _{OSC}	Oscillation time		250		ns
t _H	Hold time	2			ns
t _{SU}	Setup time	10			ns
t _D	Delay time			20	ns
t _{SH}	Clock high time	10			ns
t _{SL}	Clock low time	10			ns
t _{SP}	Clock period		40		ns
t _{CD}	Conversion delay time		18		t _{osc}
t _{ACQ}	Acquisition time		8.5		t _{osc}
t _{CONV}	Conversion time		13.5		t _{osc}
t _{TP}	Throughput time		40		t _{osc}

FUNCTIONAL BLOCK DIAGRAM



TYPICAL CHARACTERISTICS

LINEARITY ERROR vs CODE

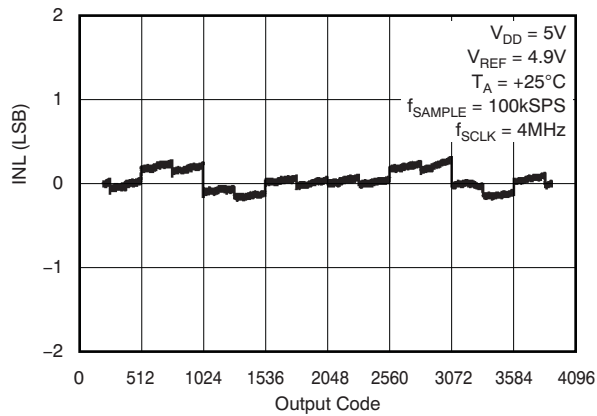


Figure 4.

DIFFERENTIAL LINEARITY ERROR vs CODE

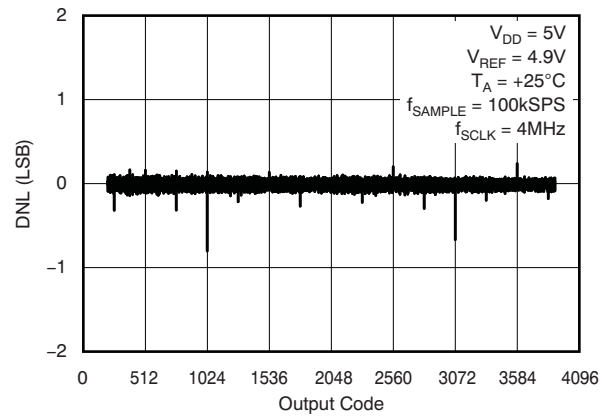


Figure 5.

LINEARITY ERROR vs CODE

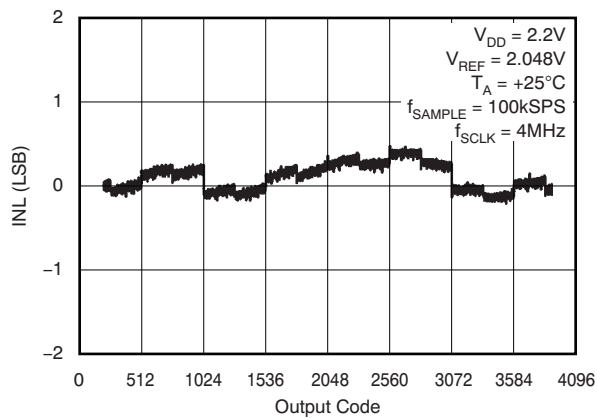


Figure 6.

DIFFERENTIAL LINEARITY ERROR vs CODE

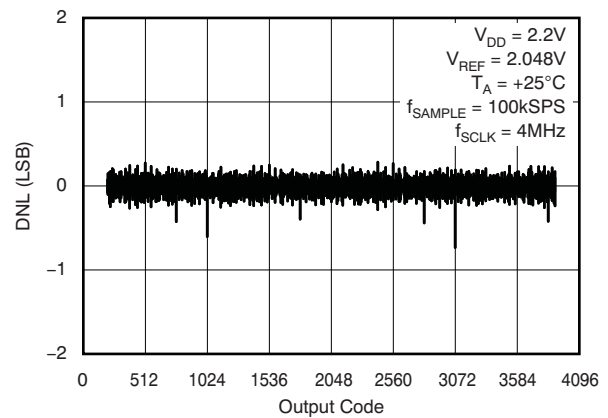


Figure 7.

POWER-SUPPLY CURRENT vs TEMPERATURE

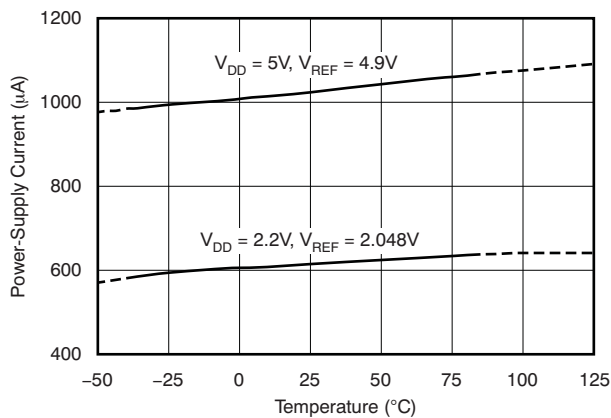


Figure 8.

POWER-DOWN CURRENT vs TEMPERATURE

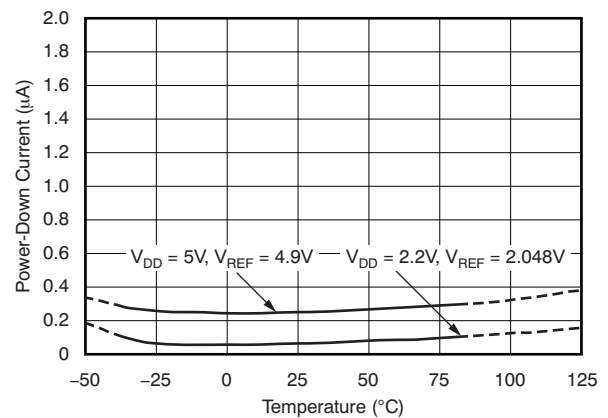


Figure 9.

TYPICAL CHARACTERISTICS (continued)

SINGLE-ENDED OFFSET VOLTAGE vs TEMPERATURE

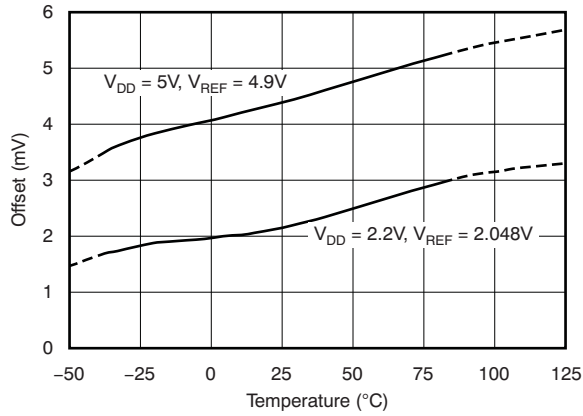


Figure 10.

SINGLE-ENDED GAIN ERROR vs TEMPERATURE

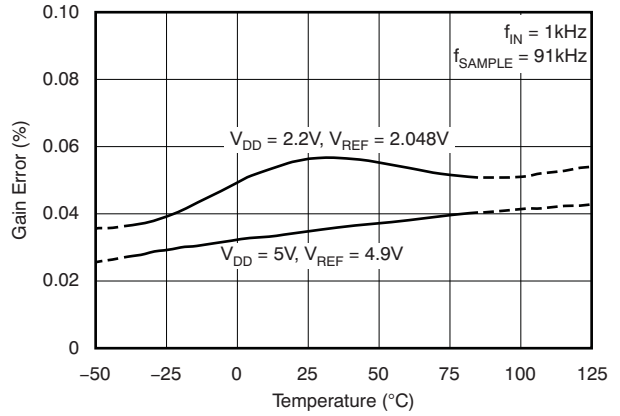


Figure 11.

SIGNAL-TO-NOISE RATIO vs TEMPERATURE

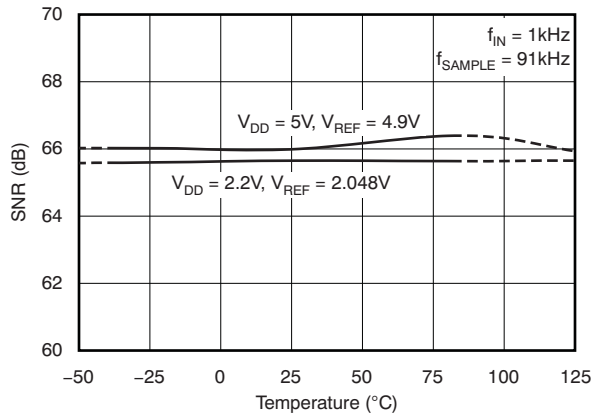


Figure 12.

SIGNAL-TO-NOISE + DISTORTION vs TEMPERATURE

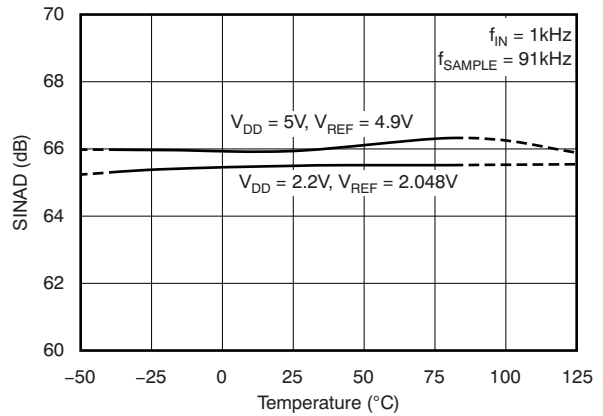


Figure 13.

SPURIOUS-FREE DYNAMIC RANGE vs TEMPERATURE

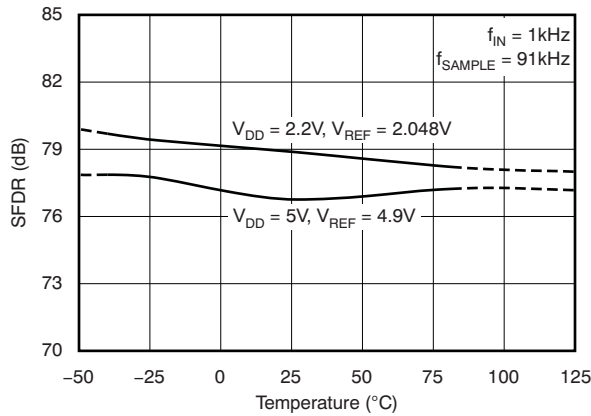


Figure 14.

TOTAL HARMONIC DISTORTION vs TEMPERATURE

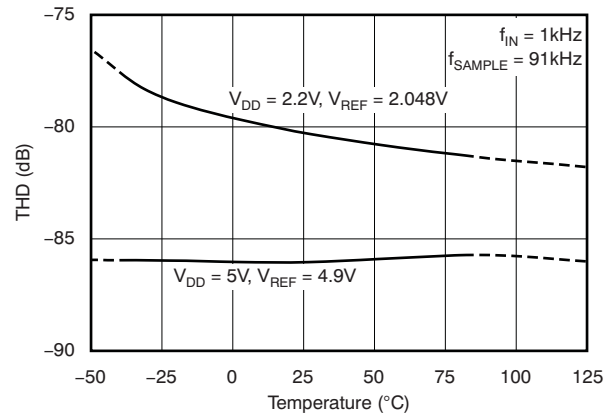


Figure 15.

TYPICAL CHARACTERISTICS (continued)

EFFECTIVE NUMBER OF BITS vs INPUT FREQUENCY

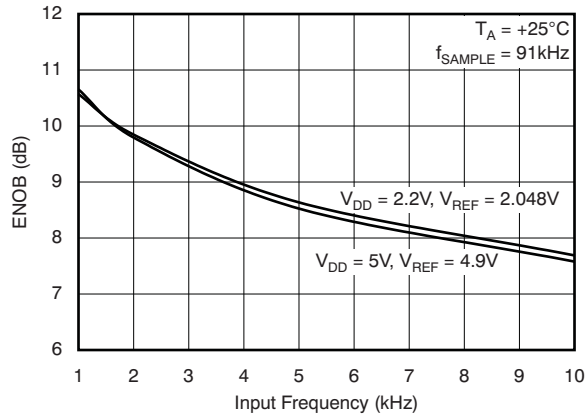


Figure 16.

SIGNAL-TO-NOISE + DISTORTION vs INPUT FREQUENCY

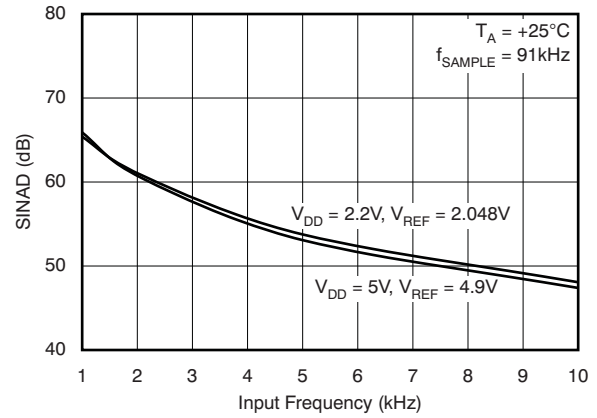


Figure 17.

TOTAL HARMONIC DISTORTION vs INPUT FREQUENCY

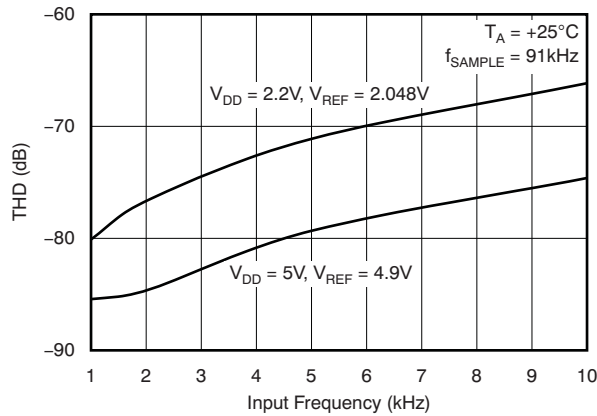


Figure 18.

CROSSTALK vs INPUT FREQUENCY

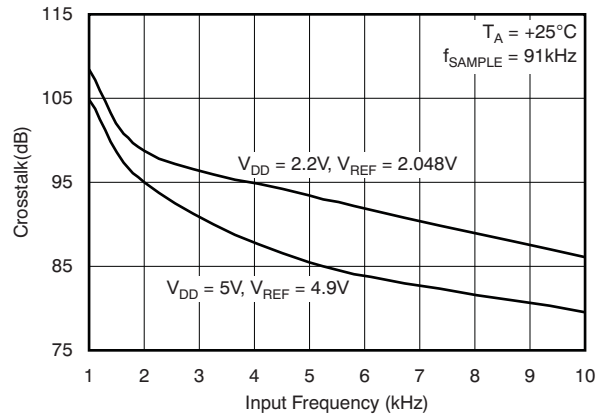


Figure 19.

OUTPUT CODE HISTOGRAM FOR A DC INPUT

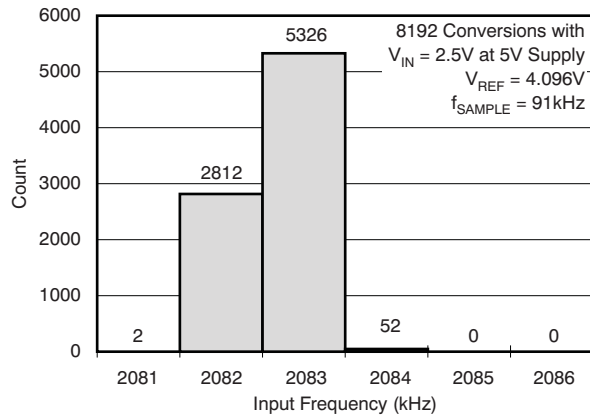


Figure 20.

OUTPUT CODE HISTOGRAM FOR A DC INPUT

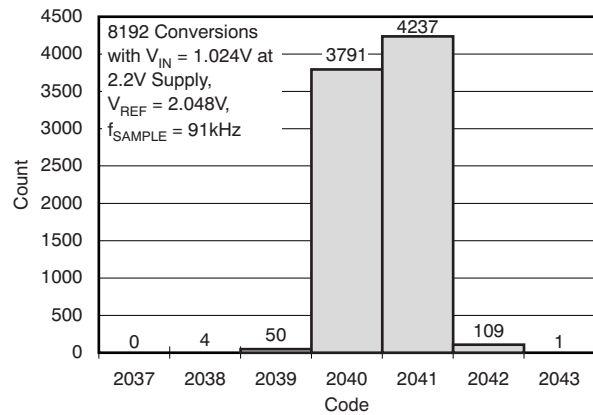


Figure 21.

THEORY OF OPERATION

The ADS8201 is a low-power data acquisition system that includes a 12-bit successive approximation register (SAR) analog-to-digital converter (ADC), eight-channel mux, and a first-in first-out (FIFO) buffer. The SAR architecture is based on charge redistribution, which inherently includes a sample/hold (S/H) function.

The ADS8201 uses an internal clock to run the conversions.

The ADS8201 has eight analog inputs. The analog inputs are either single-ended or differential, depending on the channel configuration. When a conversion is initiated, the input on these pins is sampled on the internal capacitor array. While a conversion is in progress, the inputs are disconnected from any internal function. The device can be programmed for manual channel selection or programmed into an auto-channel select mode that sweeps through all $+IN_i$ channels automatically.

A programmable gain amplifier (PGA) allows for a gain selection of 1, 2, 4, or 8. Individual channels can be programmed to different gains. This feature allows the ADS8201 to be used in a wide range of applications. The channel gain mapping feature is very useful in applications where different sensors around different common-mode voltages must be digitized. Appropriate gain settings can also be chosen to take advantage of the full range of the converter.

ANALOG INPUT

When the converter enters the hold mode, the voltage on the analog input channel of interest is captured on the internal capacitor array. The input span is limited to the range of 0.1V to $(V_A - 0.1V)$. The PGA front-end provides a high input impedance that removes the loading effect issues typically associated with high source impedances.

Care must be taken regarding the absolute analog input voltage. To maintain converter linearity, the $+IN$ and $-IN$ inputs and the span of $[+IN - (-IN)]$ should be within the limits specified. Exceeding these ranges may cause the converter linearity to not meet its stated specifications. To minimize noise, use low bandwidth input signals with low-pass filters.

Care should also be taken to ensure that the output impedance of the sources driving the $+IN$ and $-IN$ inputs are matched. If this matching is not observed, the two inputs could have different settling times. These different times may result in offset error, gain error, and linearity error, which all change with temperature and input voltage.

PROGRAMMABLE GAIN AMPLIFIER (PGA)

The ADS8201 features an integrated PGA with gain options of 1, 2, 4, and 8. Each individual channel can be configured for different gain settings depending on the application. An appropriate gain should be chosen for each application to take advantage of the full range of the converter.

At power-up, the system settling time is approximately 40 μ s. This period includes the PGA turn-on time and settling time to a 12-bit level. Once the device has been configured, the PGA settling time during channel switching is optimized to provide a throughput of 100k samples-per-second (SPS) in auto-trigger and auto-channel update modes.

The ADS8201 also provides a PGAOUT pin that can be used for further signal conditioning before inputting to the ADC. If no additional conditioning is required, the PGAOUT pin should be tied to the ADCIN pin.

BIPOLAR/UNIPOLAR OPERATION

The PGAREF pin allows the ADS8201 to be operated in true differential and bipolar modes. This type of operation is achieved by setting the PGAREF pin. If this pin is set to GND, the device operates in unipolar mode. If the PGAREF pin is set to $V_{REF}/2$, the ADS8201 operates in a bipolar mode. Both $+IN$ and $-IN$ inputs can swing differentially $\pm V_{REF}/2$. All common-mode signals from 0V to V_{REF} can be eliminated when the ADS8201 is configured in differential mode. See the [Application Information](#) section for an example of a typical circuit diagram.

REFERENCE

The ADS8201 requires an external reference. A clean, low-noise, well-decoupled supply voltage on this pin is required to ensure good converter performance. A low-noise bandgap reference such as the [REF3240](#) can be used to drive this pin. A 10 μ F ceramic decoupling capacitor is required between the REF and REFGND pins of the converter. These capacitors should be placed as close as possible to the respective device pins. The REFGND pin should be connected by its own via to the analog ground plane of the printed circuit board (PCB) with the shortest possible trace. The minimum reference supported by the ADS8201 is 2.048V.

CONVERTER OPERATION

The ADS8201 has an internal clock that controls the conversion rate; the frequency of this clock is 4MHz, however, this clock can have a variance of up to 20%. The Conversion Delay System Configuration Register (SCR) at address 0Ah can be used to offset the conversion clock variance. This register allows the conversion delay to be programmed after conversion from a range of 0.5 μ s to 15 μ s. The default conversion delay is set to 4.5 μ s; however, the appropriate conversion delay can be selected to achieve maximum throughput. Unless the device is in power-down mode, the internal clock is always on. The minimum acquisition time is 8.5 clock cycles (this period is equivalent to 2.125 μ s at 4MHz) after $\overline{\text{CONVST}}$ is asserted. It takes 13.5 conversion clocks (CCLKs), or approximately 3.375 μ s, to complete one conversion. The data can be clocked out during the next 4.5 μ s through the serial interface. Care must be taken to ensure that the next conversion is not initiated until 10 μ s after the first convert start is asserted.

ADC OPERATING MODE SUMMARY

[Table 2](#) summarizes the ADC operating modes for the ADS8201.

Table 2. ADC Operating Modes

ADC OPERATING MODE	ADC TRIGGER	CHANNEL CONTROL	DELAY MUX	MULTI-SCAN	AUTO PD	MODE DESCRIPTION
0 (000)	Idle (no trigger)	N/A	N/A	N/A	N/A	ADC idle
1 (001b)	Reserved					
2 (010b)	Manual trigger	Manual	Off	N/A	Off	Manual trigger with manual-channel
3 (011b)	Manual trigger	Manual	On	N/A	Off	Manual trigger with manual-channel and delay mux
4 (100b)	Auto trigger	Manual	On	N/A	Off	Auto trigger with manual-channel
5 (101b)	Auto trigger	Auto increment	N/A	Single scan	Off	Auto trigger with auto-channel and single-scan
6 (110b)	Auto trigger	Auto increment	N/A	Multi-scan	Off	Auto trigger with auto-channel and multi-scan
7 (111b)	Reserved					

MANUAL TRIGGER (See [ADC Trigger SCR, Address 08h, Bits\[2:0\]](#))

Manual-Trigger mode (Modes 2 and 3) can be selected by writing to the ADC Trigger SCR (see the [SCR Register Map](#)). In these modes, it is required to issue a convert start (CONVST) pulse through the $\overline{\text{CONVST}}$ pin or an ADC read command if bit 0 of the ADC SCR is set to '1' to allow a conversion to initiate through the serial interface. CCR[0:3] can be used to configure each channel according to the specific application requirements. For Mode 3, see the [Delay Mux Description](#) section for details. [Table 3](#) lists the selection options for manual channel selection.

Table 3. Manual Channel Selection⁽¹⁾

SELECTION OPTION	BIT SETTINGS
Delay mux select enabled ⁽¹⁾	ADC SCR, bit D[1] = '1'; FIFO buffer enabled (as shown in Figure 22)
	ADC SCR, bit D[1] = '0'; FIFO buffer disabled (as shown in Figure 22)
Delay mux select disabled ⁽¹⁾	ADC SCR, bit D[1] = '1'; FIFO buffer enabled (as shown in Figure 22)
	ADC SCR, bit D[1] = '0'; FIFO buffer disabled (as shown in Figure 22)

(1) See ADC Trigger SCR, bits D[2:0].

Mode 2 (manual trigger with manual-channel update) provides complete control over the ADS8201 timing. The user controls when to issue a CONVST and when to read the output data. A switch can be made to any channel without following any particular sequence. The device can also be configured to enable or disable the FIFO buffer in this mode.

Mode 3 (manual trigger with manual-channel update and delay mux) allows the ADS8201 to switch the mux to the next input channel after the current sampling is complete. This capability maximizes the time required for the PGA to settle for the next channel and subsequently provides faster throughput. See [Figure 22](#) and [Figure 25](#) for timing details. This increased throughput is the key difference between this mode and Mode 2. The delay mux feature allows for full 100kSPS throughput, in spite of being in manual trigger and manual channel update mode.

There are two ways to set up the delay mux in this mode. If using the following sequence, then data from first channel are not repeated:

1. The first channel of interest is set.
2. Mode 3 is selected.
3. The second channel of interest is set.
4. The $\overline{\text{CONVST}}$ pin is asserted.

However, if the second channel of interest is set after the $\overline{\text{CONVST}}$ pin is asserted, then the first conversion result should be treated as a *dummy* conversion because the conversion result from the first channel is repeated twice. Subsequent channels should be selected before asserting the next $\overline{\text{CONVST}}$ in order to achieve the benefit of the delay mux feature.

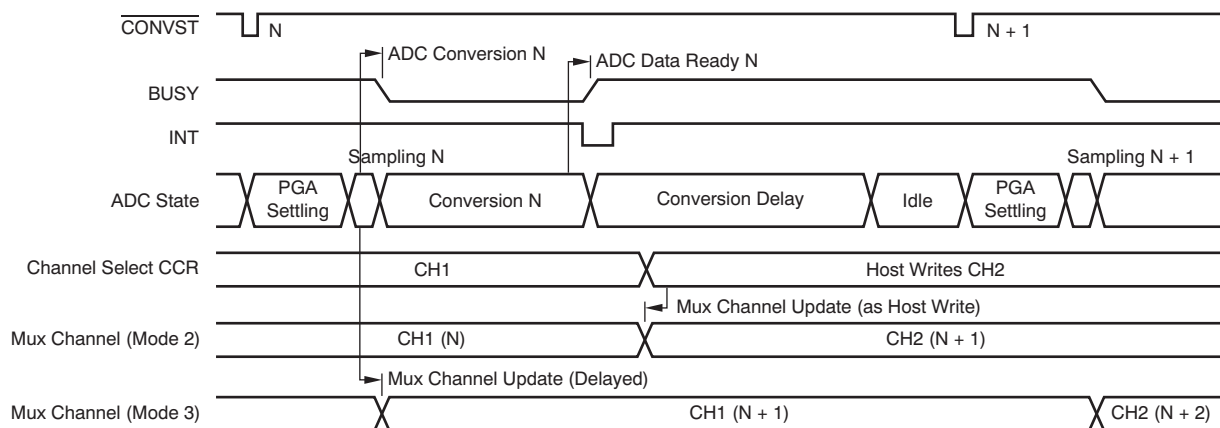


Figure 22. Mode 2, Mode 3 Timing

AUTO TRIGGER (See [ADC Trigger SCR](#), Address 08h, Bits[2:0])

Auto-trigger mode can be selected by writing to the ADC Trigger SCR (see the [SCR Register Map](#)). In Auto-Trigger (Modes 4, 5, and 6), Auto-Channel (Modes 5 and 6) or Manual-Channel (Mode 4) selection must be enabled after all the channels have been configured according to the specific application.

In Auto-Trigger with Auto-Channel Update and Single-Scan mode (Mode 5), the internal device logic triggers conversions and all selected channels are converted sequentially. After the completion of the selected channel conversions, an SPI command must be issued to initiate the next scan event. In this mode, the FIFO buffer can be enabled or disabled. If the FIFO buffer is enabled and the next scan event is initiated, the contents of the FIFO buffer are overwritten. Ensure that all results from the FIFO buffer have been read before issuing the command to start the next scan event. This mode is useful for applications where an external source triggers the scan event; however, the trigger is not periodic.

In Auto-Trigger with Auto-Channel Update and Multi-Scan mode (Mode 6), the internal device logic triggers conversions and all selected channels are converted sequentially. In this mode, if the FIFO buffer is disabled, and the ADS8201 continues to trigger conversions for the selected channels in a cyclical mode until an SPI command is sent to stop the conversion. For example, if channel 4 is selected as the starting channel number, the ADS8201 converts channels 4, 5, 6, 7, 4, 5, 6, 7, etc., until this mode is disabled. If the FIFO buffer is enabled and Interrupt SCR, bit D[1] is set, the ADS8201 issues a scan data ready interrupt. It is important to note that in Mode 6, the FIFO buffer contents must be read when the buffer is full (eight conversions = complete); otherwise, subsequent conversions will overwrite the data in the FIFO buffer. This mode is useful when continuous conversion of the input signals across single or multiple channels is required. [Figure 26](#) illustrates the timing for a shared single-scan and multiple-scan mode event.

In Auto-trigger with Manual Channel Update mode (Mode 4), the user must select the next channel. In this mode, the delay mux feature is always enabled. [Table 4](#) and [Table 5](#) summarize the selection options for auto channel update and manual channel update, respectively. This mode is useful when the user wants to have flexibility in the channel selection and does not want to use consecutive channels. The delay-mux feature provides full 100kSPS speed in spite of using manual channel update mode.

There are two ways to set up the delay mux in this mode. If using the following sequence, then data from first channel are not repeated:

1. The first channel of interest is set.
2. Mode 4 is selected.
3. The second channel of interest is set within 10 μ s after setting Mode 4.
4. The $\overline{\text{CONVST}}$ pin is asserted.

However, if the second channel of interest is not set within 10 μ s after triggering the delay mux mode, then the first conversion result should be treated as a dummy conversion because the conversion result from the first channel is repeated twice.

Table 4. Auto Channel Update⁽¹⁾

SELECTION OPTION	BIT SETTINGS
Single-Scan Mode (Mode 5) ⁽¹⁾	ADC SCR, bit D[1] = '1'; FIFO buffer enabled (as shown in Figure 23)
	ADC SCR, bit D[1] = '0'; FIFO buffer disabled (as shown in Figure 23)
Multi-Scan Mode (Mode 6) ⁽¹⁾	ADC SCR, bit D[1] = '1'; FIFO buffer enabled (as shown in Figure 24)
	ADC SCR, bit D[1] = '0'; FIFO buffer disabled (as shown in Figure 24)

(1) See ADC Trigger SCR:D[2:0].

Table 5. Manual Channel Update⁽¹⁾

SELECTION OPTION	BIT SETTINGS
Delay mux select (Mode 4) (This is the only option with auto channel select mode and manual trigger)	ADC SCR, bit D[1] = '1'; FIFO buffer enabled (as shown in Figure 25)
	ADC SCR, bit D[1] = '0'; FIFO buffer disabled (as shown in Figure 25)

(1) See ADC Trigger SCR, bits D[2:0].

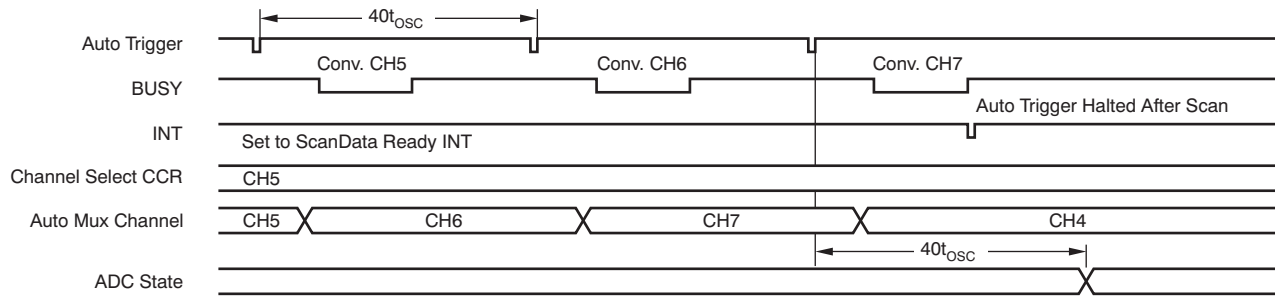


Figure 23. Mode 5 Timing

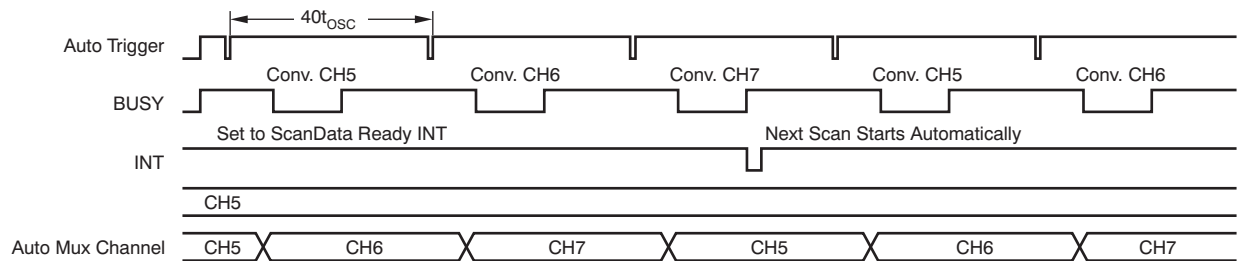


Figure 24. Mode 6 Timing

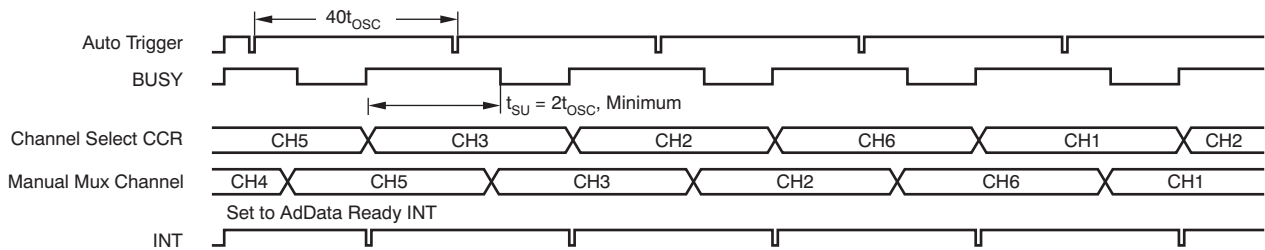
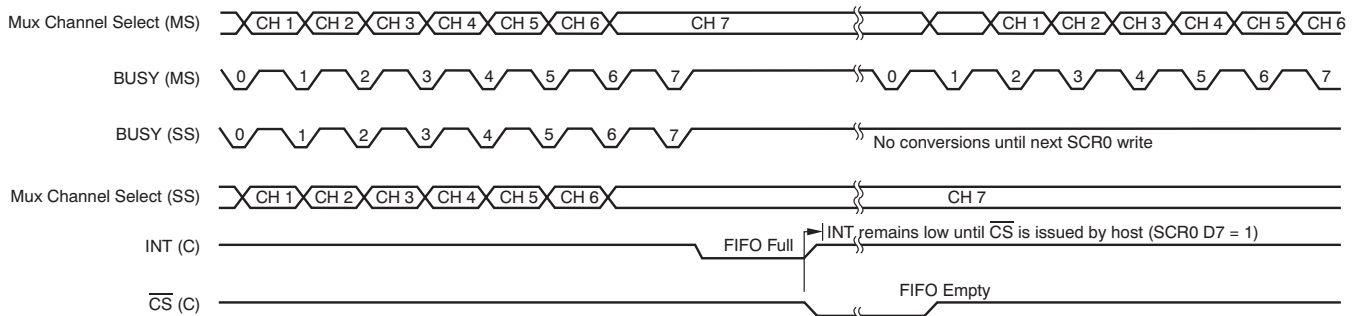


Figure 25. Mode 4 Timing

Auto Trigger, Auto Channel Select with FIFO Enabled



NOTE: MS: Multi-Scan Mode
 SS: Single-Scan Mode
 C: Signal common to both SS and MS

Figure 26. Single-Scan/Multiple-Scan Mode Event with FIFO Buffer Enabled

CONVERSION START

A conversion is initiated by bringing the $\overline{\text{CONVST}}$ pin low for a minimum of 40ns. After the minimum requirement has been met, the $\overline{\text{CONVST}}$ pin can be brought high. $\overline{\text{CONVST}}$ acts independently of $\overline{\text{CS}}$, so it is possible to use one common $\overline{\text{CONVST}}$ for applications that require simultaneous sample/hold events. The ADS8201 requires 8.5 conversion clock (CCLK) cycles for acquisition and 13.5 CCLK edges to complete a conversion. The conversion time is equivalent to approximately 3.375 μ s with a 4MHz internal clock. The minimum time between two consecutive $\overline{\text{CONVST}}$ signals is 40 CCLKs, or approximately 10 μ s.

Conversion can also be initiated without using the $\overline{\text{CONVST}}$ pin if the device is properly programmed (ADC SCR, bit D[0] = '1'). In this case, an ADC read command must be issued. The conversion start is then issued through the SPI interface. When the converter is configured in Auto-Trigger mode, the next conversion automatically starts 18 CCLKs after the end of a conversion. These 18 conversion clocks are used as the data acquisition time as well as the PGA settling time. The PGA must settle to a 12-bit level. In this case, the time to complete one acquisition and conversion cycle is exactly 22 CCLKs.

BUSY/INT PIN DESCRIPTION

BUSY Pin Functionality

The BUSY/INT pin can be programmed as BUSY by configuring the ADC System Configuration Register (ADC SCR, bit D[2] = '1'). When the status pin is programmed as BUSY and the polarity is set as active low, this pin works in the following manner:

- **In Manual-Trigger mode:** the BUSY output goes low up to 8.5 CCLKs after $\overline{\text{CONVST}}$ goes low. BUSY stays low throughout the conversion process and returns high when the conversion completes. See [Figure 1](#) through [Figure 3](#) for detailed timing diagrams.
- **In Auto-Trigger mode:** the BUSY output goes low for 13.5 CCLKs. See [Figure 1](#) through [Figure 3](#) for detailed timing diagrams. It is important to note that if BUSY/INT pin is programmed as BUSY, then bits D[3:0] of the Interrupt SCR (address 06h) are inactive. Those interrupts only take effect when the BUSY/INT pin is programmed as INT.

INT Pin Functionality

The BUSY/INT pin can be programmed as INT by configuring the ADC System Configuration Register (ADC SCR, bit D[2] = '0'). The interrupt can be programmed to be edge-triggered or level-triggered by configuring the ADC SCR, bit D[4]. This option is only available when the pin is configured as INT. For the INT pin to be active, the interrupt SCR must be configured with the type of interrupt required for the specific application. This procedure can be done by configuring one of the four bits, D[3:0], of the Interrupt SCR (address 06h). For example, if the interrupt function is desired after the ADC data are ready, set the Interrupt SCR, bit D[0] = '1'.

If the FIFO buffer is disabled and Interrupt SCR, bit D[0] is set, the ADS8201 issues an interrupt pulse after the end of a conversion.

If the FIFO buffer is enabled and Interrupt SCR, bit D[2] is set, the ADS8201 issues an interrupt pulse after the FIFO buffer is full.

POWER-DOWN MODE

The ADS8201 has a comprehensive, built-in, power-down feature. Contents of the configuration register are not affected when in power-down mode. Power-down mode can be activated by setting the Interrupt SCR, bit D[7] = '1'. Care must be taken to ensure that the ADC is in idle mode before writing to the Interrupt SCR. When the device is in power-down mode, every block except the interface is in a power-down state. The analog blocks receive no bias currents and the internal oscillator is turned off. In this mode, power dissipation falls from 900 μ A to < 1 μ A in 2 μ s. The wake-up time from power-down mode is 40 μ s. Power-down or power-on status of the ADC can be read through the Status SCR, bit D[0]. To bring the device out of power down, set the Interrupt SCR (address 06h), bit D[7] = '0'.

READING CONVERSION RESULTS

The conversion result is available to the input of the Output Data Register (ODR) at the end of the conversion, and presented to the output of the Output Register at the next falling edge of \overline{CS} . The host processor can then shift the data out through the SDO pin at any time except during the quiet zone. The quiet zone is 18 CCLKs after BUSY goes high, If BUSY is programmed as active low.

Be careful not to place the falling edge of \overline{CS} at the precise moment that the conversion ends (by default, the end of conversion is when BUSY goes high); otherwise, the conversion data could be corrupted. The falling edge of \overline{CS} should be at least one CCLK either before or after the end of conversion. If \overline{CS} is placed before the end of conversion, the previous conversion result is read. If \overline{CS} is placed after the end of conversion, the current conversion result is read.

The conversion result is represented by 12-bit data in straight binary format, as shown in Table 6. Therefore, it is normally clocked out within 12 SCLKs. In order to read the averaging bits and the TAG bits, 20 CLK cycles must be provided. See the TAG Mode section for more details. Data output from SDO are left-aligned and MSB first. SDO remains low until \overline{CS} goes high again.

The serial output (SDO) is active when \overline{CS} is low. The rising edge of \overline{CS} puts the SDO output into a 3-state mode. Note that whenever SDO is not in a 3-state mode (that is, when \overline{CS} is low and SCLK is running), a portion of the conversion result shows up on the SDO pin. The number of bits that appear depends on how many SCLKs are supplied. The exception is that SDO outputs all 1's during the cycle immediately after any reset event (hardware or software) occurs.

Table 6. Ideal Input Voltages and Output Codes

DESCRIPTION	ANALOG VALUE	DIGITAL OUTPUT STRAIGHT BINARY	
		BINARY CODE	HEX CODE
Full-Scale Range	V_{REF}		
Least Significant Bit (LSB)	$V_{REF}/4096$		
Full-Scale	$V_{REF} - 1\text{LSB}$	1111 1111 1111	FFFF
Midscale	$V_{REF}/2$	1000 0000 0000	8000
Midscale – 1LSB	$V_{REF}/2 - 1\text{LSB}$	0111 1111 1111	7FFF
Zero	0V	0000 0000 0000	0000

TAG MODE

The ADS8201 has a TAG feature that shows which channel the converted result comes from. An address bit that indicates the conversion result channel number is added after the LSB of the SDO readout. There are four TAG bits: the first three identify the channel and the fourth identifies either single-ended or differential operating mode. To read the TAG bits, 20 CLK cycles must be provided; see Figure 30. If the TAG bits do not need to be read, only 16 CLK cycles should be provided.

AVERAGING MODE

The ADS8201 offers multiple averaging options for applications that may require greater than 12-bit resolution. This feature allows for better noise performance by a factor of $1/\sqrt{\text{Number of Samples}}$. The result is output as a maximum of 14-bit resolution. Bits D[7:5] of the ADC SCR (address 05h) can be used to select different averaging options. Two distinct averaging features, fast averaging and accurate averaging, are available:

- **Fast Averaging:** An average of 4, 8, or 16 results can be selected to increase overall resolution to a 13-bit or 14-bit level. In Fast Averaging, after the first conversion is complete (approximately 4 μ s), the next conversion starts immediately without the 6 μ s delay for PGA settling. This mode should be used when the input to the PGA is stable and is within the 12-bit level.
- **Slow Averaging:** An average of 4, 8, or 16 results can be selected to increase output accuracy compared to the fast averaging mode. In Slow Averaging mode, each conversion requires 10 μ s. This mode should be used when the input to the PGA is not stable.

FIFO BUFFER DESCRIPTION

The ADS8201 offers a first-in/first out (FIFO) buffer that allows the user to store up to eight independent conversion results. The FIFO buffer can be enabled or disabled by setting bit D[1] of the ADC SCR. To extract the data from the FIFO buffer, \overline{CS} must be enabled for every conversion result. As an example, if all eight conversion results are to be extracted from the FIFO buffer, \overline{CS} must be asserted low eight times. During the time that \overline{CS} is low, there is the option to provide as many CLK cycles as desired to extract the data of interest. If 12 CLKs are provided, only the 12-bit conversion result is extracted. If the TAG information is to be extracted as well, then 20 CLKs must be provided. See [Figure 30](#) for details on the optional bits available. The functionality of the FIFO buffer can vary depending on the mode selected.

1. **Auto-Trigger and Auto Channel Select mode:** In this mode, whether or not the FIFO buffer is seen as full is defined by the number of channels in the specific scan event. For example, if channel 3 is chosen as the starting channel number and all channels are in single-ended mode, once the conversion is complete for channels 3, 4, 5, 6, and 7, a *scan data ready* interrupt is issued. Note that there are only five results in the buffer. If a multi-scan event is enabled (Mode 6 of the ADC SCR), conversions are initiated in a cyclical manner. If a single-scan event is enabled, the devices wait for a CONVST pulse before starting the next conversion.
2. **Auto-Trigger and Manual Channel Select mode:** This mode acts in a similar manner to the previous mode, except that the next conversion channel must be manually selected.
3. **Manual-Trigger and Manual Channel Select mode:** In this mode, eight conversions must be completed before a *FIFO buffer full* interrupt is issued. This mode provides the flexibility to choose any sequence of channels for conversion.

INTERRUPT DESCRIPTION

The ADS8201 offers multiple interrupts for various user-defined options. The Interrupt SCR defines the various interrupts available in the ADS8201.

1. **FIFO Buffer Not Empty Interrupt:** If this interrupt is enabled (Interrupt SCR, bit D[3] = '1'), the ADS8201 generates an interrupt if the FIFO buffer is not empty. In applications where the CPU can allocate additional processing time, use of this interrupt is recommended to improve the system throughput.
2. **FIFO Buffer Full Interrupt:** If this interrupt is enabled (Interrupt SCR, bit D[2] = '1'), the ADS8201 generates an interrupt if the FIFO buffer is full. For applications where the CPU is processing multiple tasks, this interrupt is recommended because it requires minimum processing power.
3. **Scan Data Ready Interrupt:** If this interrupt is enabled (Interrupt SCR, bit D[1] = '1'), the ADS8201 generates an interrupt when scan data are ready. This interrupt is only applicable in Auto-trigger and Auto channel select modes, and tells the user when the scan event is complete for the selected channels. For example, in single-ended configuration, if channel 3 is selected as the starting channel number, the interrupt is issued after conversion is complete for channels 3, 4, 5, 6, and 7.
4. **ADC Data Ready Interrupt:** If this interrupt is enabled (Interrupt SCR, bit D[0] = '1'), the ADS8201 issues an interrupt after the first 12 bits of conversion data are available, if averaging is disabled. If averaging is enabled, the interrupt is issued after all conversions required for averaging are complete.

DELAY MUX DESCRIPTION

The Delay Mux feature is only available in the following modes:

- Manual-trigger with manual channel update (Mode 3 of ADC Trigger SCR)
- Auto-trigger with manual channel update (Mode 4 of ADC Trigger SCR)

This feature allows the ADS8201 to switch the mux to the next input channel after the current sampling is complete. This capability maximizes the time required for the PGA to settle for the next channel and subsequently provides faster throughput. Care must be taken, however, to ensure that the PGA does not settle to the 12-bit level for throughput less than 10 μ s. See [Figure 22](#) and [Figure 25](#) for timing details. In this mode, the mux channel is changed after the completion of next sampling period.

RESET OPERATION

The ADS8201 can be reset in two ways: hardware reset and software reset. A hardware reset can be asserted via the $\overline{\text{RST}}$ pin. A software reset can be asserted through the serial interface by writing AAh to the Reset SCR (address 09h). While hardware reset can be asserted at any time, software reset cannot be initiated if the device is in power-down mode. As long as the device is in any other of the ADC operating modes, a software reset can be issued. Once the reset is issued, the device comes back up in Mode 2 configuration. Once the reset is issued, all digital logic and configuration registers are set to the respective default states (see the [Channel Configuration Map](#) and [System Configuration Map](#) sections for default values). Any conversion in process is aborted as soon as a reset is issued. Data stored in the FIFO buffer are also reset. The channels and system registers must be reconfigured.

DEVICE CONFIGURATION

WRITING TO/READING FROM THE REGISTERS

The ADS8201 can be configured by writing to a total of 10 configuration registers: five channel configuration registers (CCRs) and five system configuration registers (SCRs). The Interrupt and Status SCRs provide the status of various interrupts. Figure 27 illustrates a state diagram for the ADC modes. Figure 28 through Figure 30 show the details of the Register Read, Register Write, and ADC Read operations, respectively. Table 7 summarizes the register addresses. It is important to note that except for registers 04h, 08h, and 09h (which can be accessed from any mode), all other registers must be accessed from ADC idle mode only.

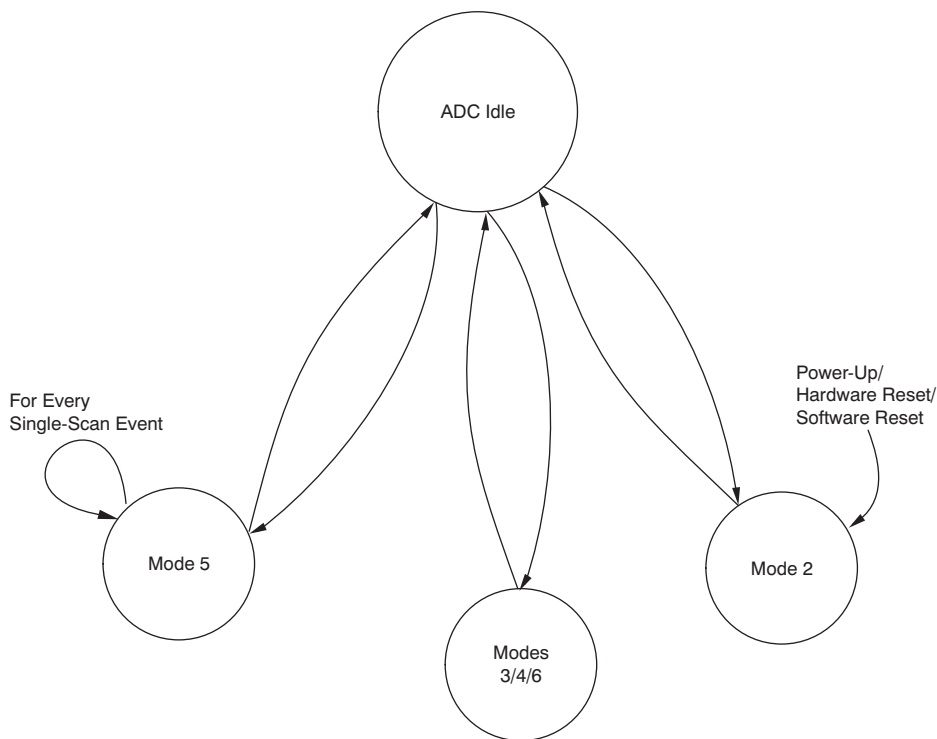


Figure 27. ADC Mode State Diagram

ADDRESS									DATA							
SDIN	0	1	A3	A2	A1	A0	X	X	X	X	X	X	X	X	X	X
SDOUT	X	X	X	0	0	0	0	0	D7	D6	D5	D4	D3	D2	D1	D0

Figure 28. Register Read

ADDRESS									DATA							
SDIN	1	0	A3	A2	A1	A0	X	X	D7	D6	D5	D4	D3	D2	D1	D0
SDOUT	X	X	X	0	0	0	0	0	X	X	X	X	X	X	X	X

Figure 29. Register Write

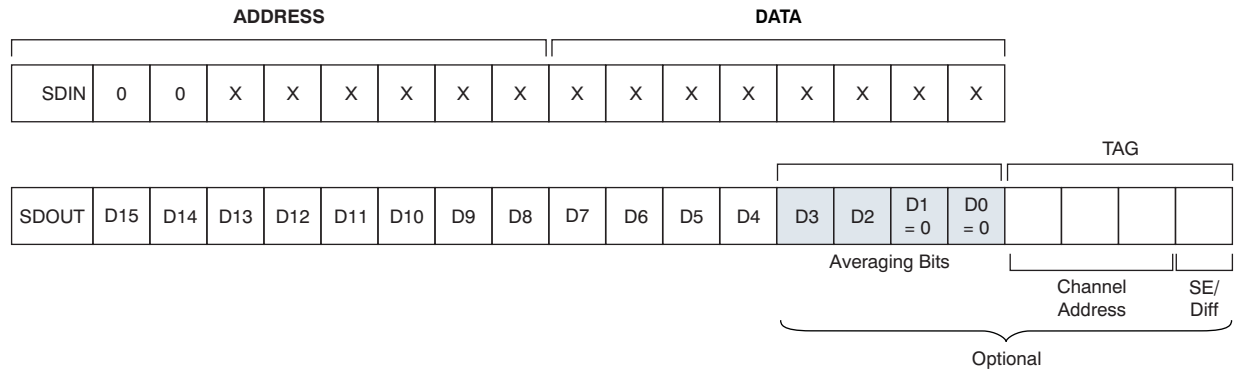


Figure 30. ADC Read

Table 7. Register Addresses

REGISTER	A3	A2	A1	A0
Channel 0/1 CCR	0	0	0	0
Channel 2/3 CCR	0	0	0	1
Channel 4/5 CCR	0	0	1	0
Channel 6/7 CCR	0	0	1	1
Channel Select CCR	0	1	0	0
ADC SCR	0	1	0	1
Interrupt SCR	0	1	1	0
Status SCR	0	1	1	1
ADC Trigger SCR	1	0	0	0
RESET SCR	1	0	0	1
Conversion Delay SCR	1	0	1	0

CHANNEL CONFIGURATION REGISTER (CCR) MAP
Channel 0/1 CCR (Address 00h)

D[7:6]	Not used [0:0]
D[5:4]	Channel 1 Gain Single-Ended 00: G = 1 (default) 01: G = 2 10: G = 4 11: G = 8
D[3]	Channel 0 Differential Odd/Even Polarity 0: Even polarity (default) 1: Odd polarity
D[2]	Channels 0/1 Single-Ended/Differential 0 : Ch0/1 Single-ended (default) 1: Ch0/1 Differential
D[1:0]	Channel 0 Gain 00: G = 1 (default) 01: G = 2 10: G = 4 11: G = 8

Channel 2/3 CCR (Address 01h)

D[7:6]	Not used [0:0]
D[5:4]	Channel 3 Gain Single-Ended 00: G = 1 (default) 01: G = 2 10: G = 4 11: G = 8
D[3]	Channel 2 Differential Odd/Even Polarity 0: Even polarity (default) 1: Odd polarity
D[2]	Channels 2/3 Single-Ended/Differential 0 : Ch2/3 Single-ended (default) 1: Ch2/3 Differential
D[1:0]	Channel 2 Gain 00: G = 1 (default) 01: G = 2 10: G = 4 11: G = 8

Channel 4/5 CCR (Address 02h)

D[7:6]	Not used [0:0]
D[5:4]	Channel 5 Gain Single-Ended 00: G = 1 (default) 01: G = 2 10: G = 4 11: G = 8
D[3]	Channel 4 Differential Odd/Even Polarity 0: Even polarity (default) 1: Odd polarity
D[2]	Channels 4/5 Single-Ended/Differential 0 : Ch4/5 Single-ended (default) 1: Ch4/5 Differential
D[1:0]	Channel 4 Gain 00: G = 1 (default) 01: G = 2 10: G = 4 11: G = 8

Channel 6/7 CCR (Address 03h)

D[7:6]	Not used [0:0]
D[5:4]	Channel 7 Gain Single-Ended 00: G = 1 (default) 01: G = 2 10: G = 4 11: G = 8
D[3]	Channel 6 Differential Odd/Even Polarity 0: Even polarity (default) 1: Odd polarity
D[2]	Channels 6/7 Single-Ended/Differential 0 : Ch6/7 Single-ended (default) 1: Ch6/7 Differential
D[1:0]	Channel 6 Gain 00: G = 1 (default) 01: G = 2 10: G = 4 11: G = 8

CHANNEL SELECT REGISTER MAP
Channel Select Register (Address 04h)

D[7:3]	Not used [0:0]
D[2:0]	Select Mux Input Channel/Start Channel Number if in Auto-Scan Mode 000: Channel 0 (default) 001: Channel 1 010: Channel 2 011: Channel 3 100: Channel 4 101: Channel 5 110: Channel 6 111: Channel 7

SYSTEM CONFIGURATION REGISTER (SCR) MAP
ADC SCR (Address 05h)

D[7:5]	Average Select 000: No average (default) 001: Fast average of four results 010: Fast average of eight results 011: Fast average of 16 results 100: No average 101: Accurate average of four results 110: Accurate average of eight results 111: Accurate average of 16 results
D[4]	Interrupt Select 0: Level triggered (default) 1: Edge triggered. Period of pulse is 250ns.
D[3]	BUSY/INT Level 0: Active low (default) 1: Active high
D[2]	BUSY/INT Select 0 : INT (default) 1: BUSY
D[1]	FIFO Buffer Enable 0: FIFO buffer disabled (default) 1: FIFO buffer enabled
D[0]	RD/CONVST Trigger 0 : Issue CONVST from the pin (default) 1: Convert start is issued through the SPI after the first read of the ADC. Ignore the first read.

Interrupt SCR (Address 06h)

D[7]	Power-Down Control 0: Normal conversion mode (default) 1: Power-down idle mode
D[6:4]	Always Reads '0'
D[3]	FIFO Buffer Not Empty Interrupt Read 0: Interrupt not generated (default) Read 1: Interrupt generated when FIFO buffer is not empty Write 0: Disable interrupt Write 1: Enable interrupt
D[2]	FIFO Buffer Full Interrupt Read 0: Interrupt not generated (default) Read 1: Interrupt generated when FIFO buffer is full Write 0: Disable interrupt Write 1: Enable interrupt
D[1]	Scan Data Ready Interrupt Read 0: Interrupt not generated (default) Read 1: Interrupt when scan data are ready. Only applicable in auto channel and auto-trigger mode. Write 0: Disable interrupt Write 1: Enable interrupt
D[0]	ADC Data Ready Interrupt Read 0: Interrupt not generated (default) Read 1: Interrupt generated when ADC data are ready. Write 0: Disable interrupt Write 1: Enable interrupt

Status SCR (Address 07h)

D[7:4]	FIFO Buffer Level: Number of Entries
D[3]	FIFO buffer Not Empty 0: FIFO buffer empty 1: FIFO buffer not empty
D[2]	FIFO Buffer Full 0: FIFO buffer not full 1: FIFO buffer full
D[1]	Scan Data Ready 0: Not ready 1: Ready
D[0]	ADC Data Ready 0: Not ready 1: Ready

ADC Trigger SCR (Address 08h)

D[7:3]	Not used
D[2:0]	ADC Trigger 000: ADC idle 001: Reserved 010: Manual trigger with manual channel update (default) 011: Manual trigger with manual channel and delay mux 100: Auto-trigger with manual channel update. Delay mux is always enabled. 101: Auto-trigger with auto channel update in single-scan event mode. 110: Auto-trigger with auto channel update in multi-scan event mode. 111: Reserved

Reset SCR (Address 09h)

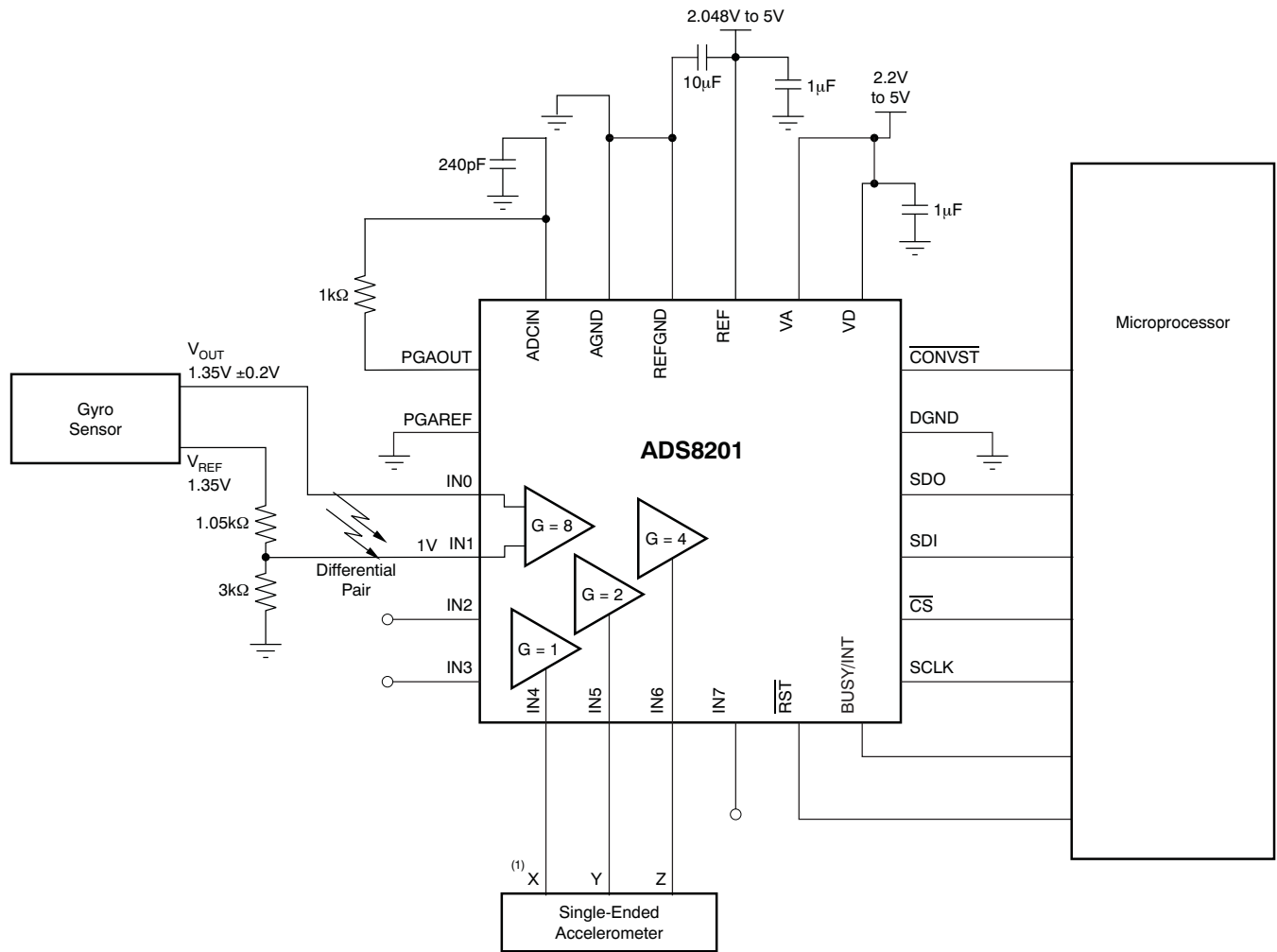
D[7:0]	Device Reset Default = 00 Read : Always 00 Write: AAh to reset the device
---------------	-------------------------------------------------------------------------------------------

Conversion Delay SCR (Address 0Ah)

D[7:3]	Not Used				
D[2:0]	Select PGA Delay After Conversion				
	D[2:0]	ACQUISITION TIME (μ s)	ADC CONVERSION TIME (μ s)	CONVERSION DELAY (μ s)	ADC THROUGHPUT (μ s)
	000	2.125	3.375	0.5	6
	001	2.125	3.375	2.5	8
	010	2.125	3.375	4.5	10
	011	2.125	3.375	6.5	12
	100	2.125	3.375	8.5	14
	101	2.125	3.375	10.5	16
	110	2.125	3.375	12.5	18
	111	2.125	3.375	14.5	20

APPLICATION INFORMATION

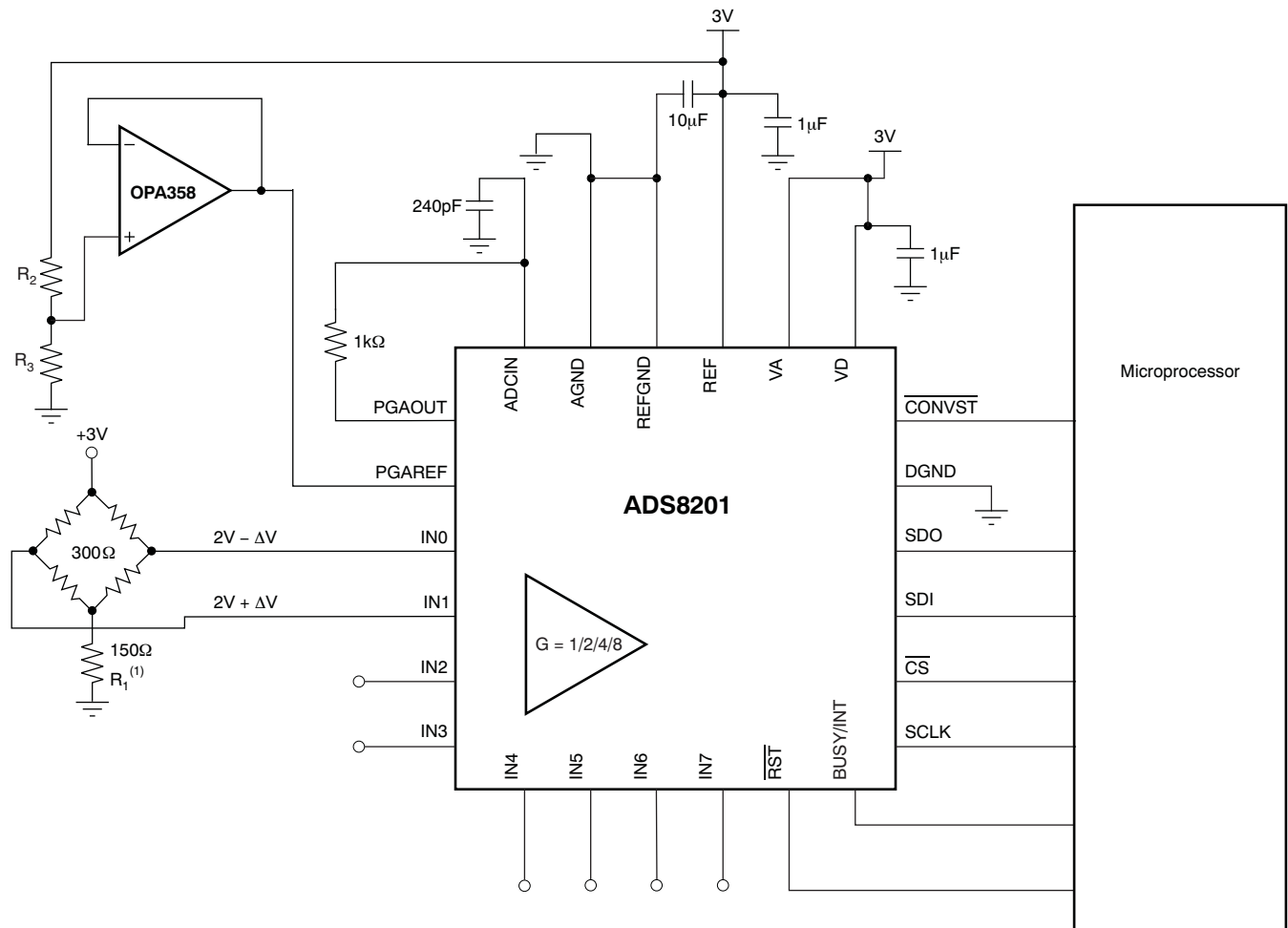
Figure 31 illustrates an example precision positioning application.



(1) $X = 100\text{mV} < V_{IN} < V_A - 100\text{mV}$; $Y = 100\text{mV} < V_{IN} < V_A/2$; $Z = 100\text{mV} < V_{IN} < V_A/4$

Figure 31. Precision Positioning Application

A bridge sensor application is shown in [Figure 32](#).



(1) R_1 creates proper common-mode voltage only for low-voltage operation.

Figure 32. Bridge Sensor Application

PACKAGING INFORMATION

Orderable Device	Status ⁽¹⁾	Package Type	Package Drawing	Pins	Package Qty	Eco Plan ⁽²⁾	Lead/Ball Finish	MSL Peak Temp ⁽³⁾
ADS8201IBRGER	PREVIEW	VQFN	RGE	24	3000	TBD	Call TI	Call TI
ADS8201IBRGET	PREVIEW	VQFN	RGE	24	250	TBD	Call TI	Call TI
ADS8201IRGER	ACTIVE	VQFN	RGE	24	3000	Green (RoHS & no Sb/Br)	CU NIPDAU	Level-2-260C-1 YEAR
ADS8201IRGET	ACTIVE	VQFN	RGE	24	250	Green (RoHS & no Sb/Br)	CU NIPDAU	Level-2-260C-1 YEAR

⁽¹⁾ The marketing status values are defined as follows:

ACTIVE: Product device recommended for new designs.

LIFEBUY: TI has announced that the device will be discontinued, and a lifetime-buy period is in effect.

NRND: Not recommended for new designs. Device is in production to support existing customers, but TI does not recommend using this part in a new design.

PREVIEW: Device has been announced but is not in production. Samples may or may not be available.

OBSOLETE: TI has discontinued the production of the device.

⁽²⁾ Eco Plan - The planned eco-friendly classification: Pb-Free (RoHS), Pb-Free (RoHS Exempt), or Green (RoHS & no Sb/Br) - please check <http://www.ti.com/productcontent> for the latest availability information and additional product content details.

TBD: The Pb-Free/Green conversion plan has not been defined.

Pb-Free (RoHS): TI's terms "Lead-Free" or "Pb-Free" mean semiconductor products that are compatible with the current RoHS requirements for all 6 substances, including the requirement that lead not exceed 0.1% by weight in homogeneous materials. Where designed to be soldered at high temperatures, TI Pb-Free products are suitable for use in specified lead-free processes.

Pb-Free (RoHS Exempt): This component has a RoHS exemption for either 1) lead-based flip-chip solder bumps used between the die and package, or 2) lead-based die adhesive used between the die and leadframe. The component is otherwise considered Pb-Free (RoHS compatible) as defined above.

Green (RoHS & no Sb/Br): TI defines "Green" to mean Pb-Free (RoHS compatible), and free of Bromine (Br) and Antimony (Sb) based flame retardants (Br or Sb do not exceed 0.1% by weight in homogeneous material)

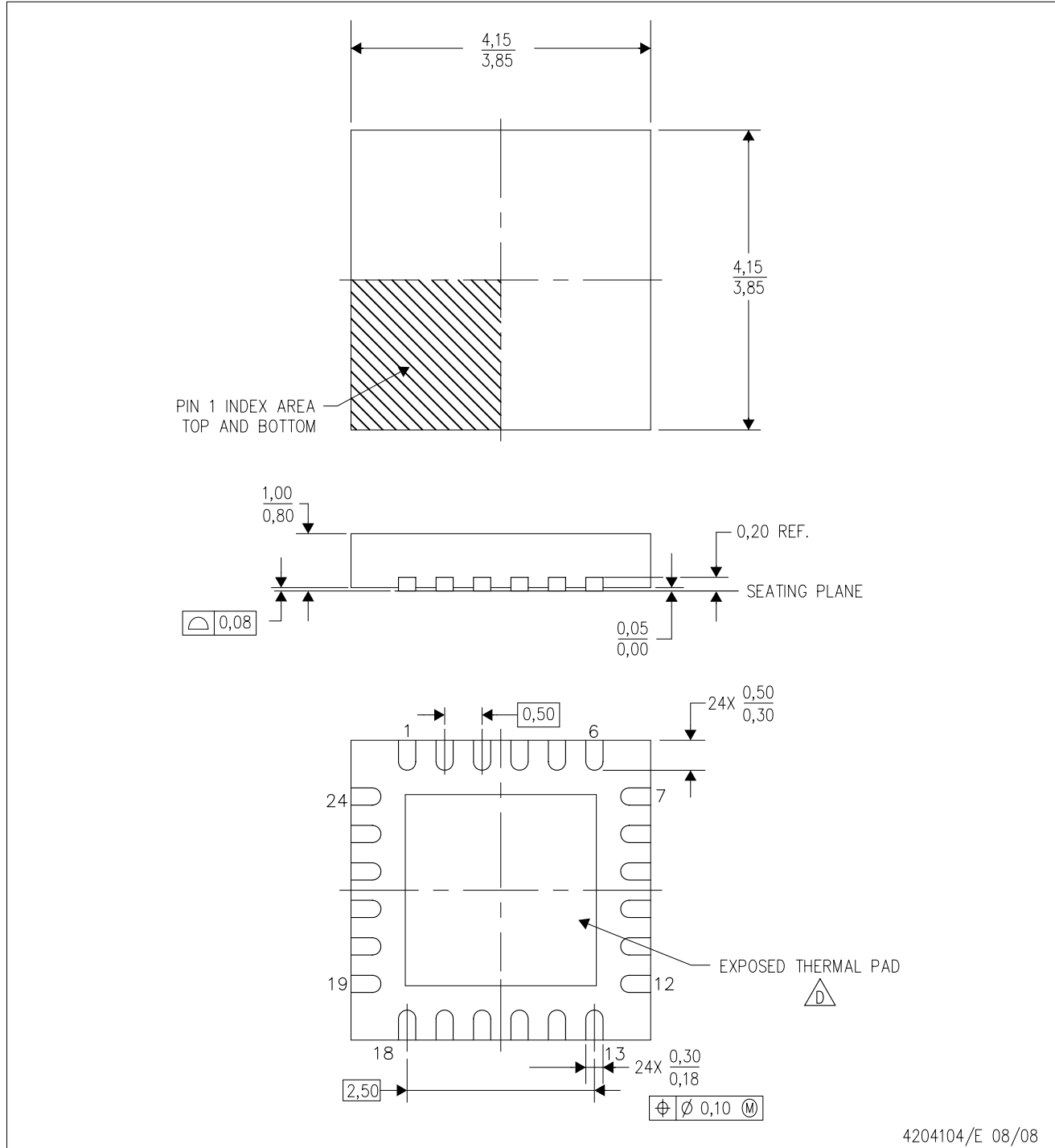
⁽³⁾ MSL, Peak Temp. -- The Moisture Sensitivity Level rating according to the JEDEC industry standard classifications, and peak solder temperature.


Important Information and Disclaimer:The information provided on this page represents TI's knowledge and belief as of the date that it is provided. TI bases its knowledge and belief on information provided by third parties, and makes no representation or warranty as to the accuracy of such information. Efforts are underway to better integrate information from third parties. TI has taken and continues to take reasonable steps to provide representative and accurate information but may not have conducted destructive testing or chemical analysis on incoming materials and chemicals. TI and TI suppliers consider certain information to be proprietary, and thus CAS numbers and other limited information may not be available for release.

In no event shall TI's liability arising out of such information exceed the total purchase price of the TI part(s) at issue in this document sold by TI to Customer on an annual basis.

RGE (S-PVQFN-N24)

PLASTIC QUAD FLATPACK NO-LEAD



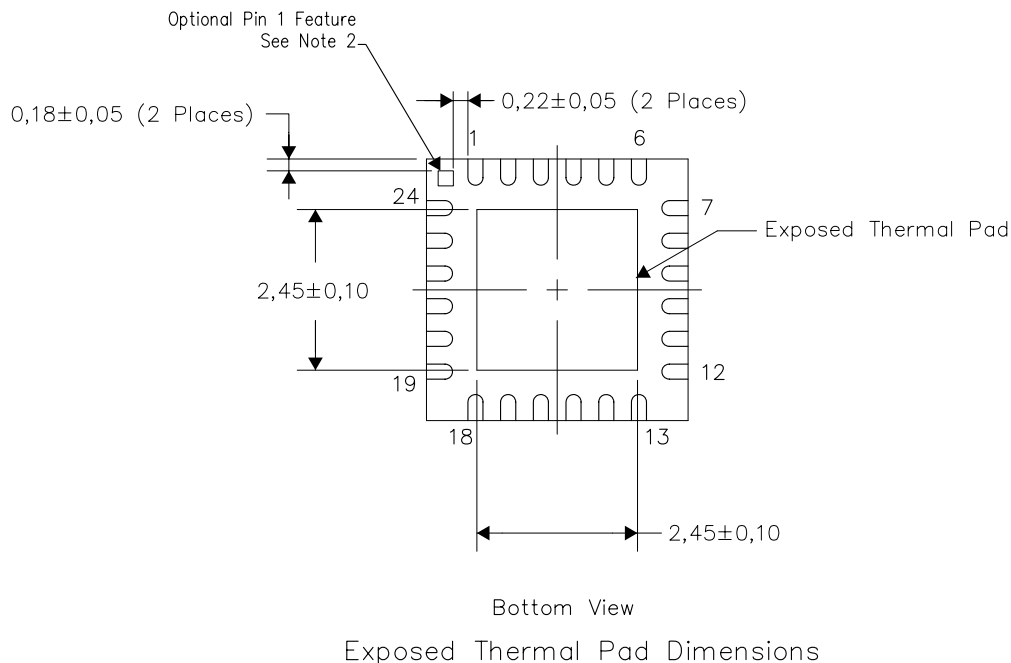
- NOTES:
- A. All linear dimensions are in millimeters. Dimensioning and tolerancing per ASME Y14.5M-1994.
 - B. This drawing is subject to change without notice.
 - C. Quad Flatpack, No-Leads (QFN) package configuration.
 -  The package thermal pad must be soldered to the board for thermal and mechanical performance. See the Product Data Sheet for details regarding the exposed thermal pad dimensions.
 - E. Falls within JEDEC MO-220.

THERMAL INFORMATION

This package incorporates an exposed thermal pad that is designed to be attached directly to an external heatsink. The thermal pad must be soldered directly to the printed circuit board (PCB). After soldering, the PCB can be used as a heatsink. In addition, through the use of thermal vias, the thermal pad can be attached directly to the appropriate copper plane shown in the electrical schematic for the device, or alternatively, can be attached to a special heatsink structure designed into the PCB. This design optimizes the heat transfer from the integrated circuit (IC).

For information on the Quad Flatpack No-Lead (QFN) package and its advantages, refer to Application Report, QFN/SON PCB Attachment, Texas Instruments Literature No. SLUA271. This document is available at www.ti.com.

The exposed thermal pad dimensions for this package are shown in the following illustration.

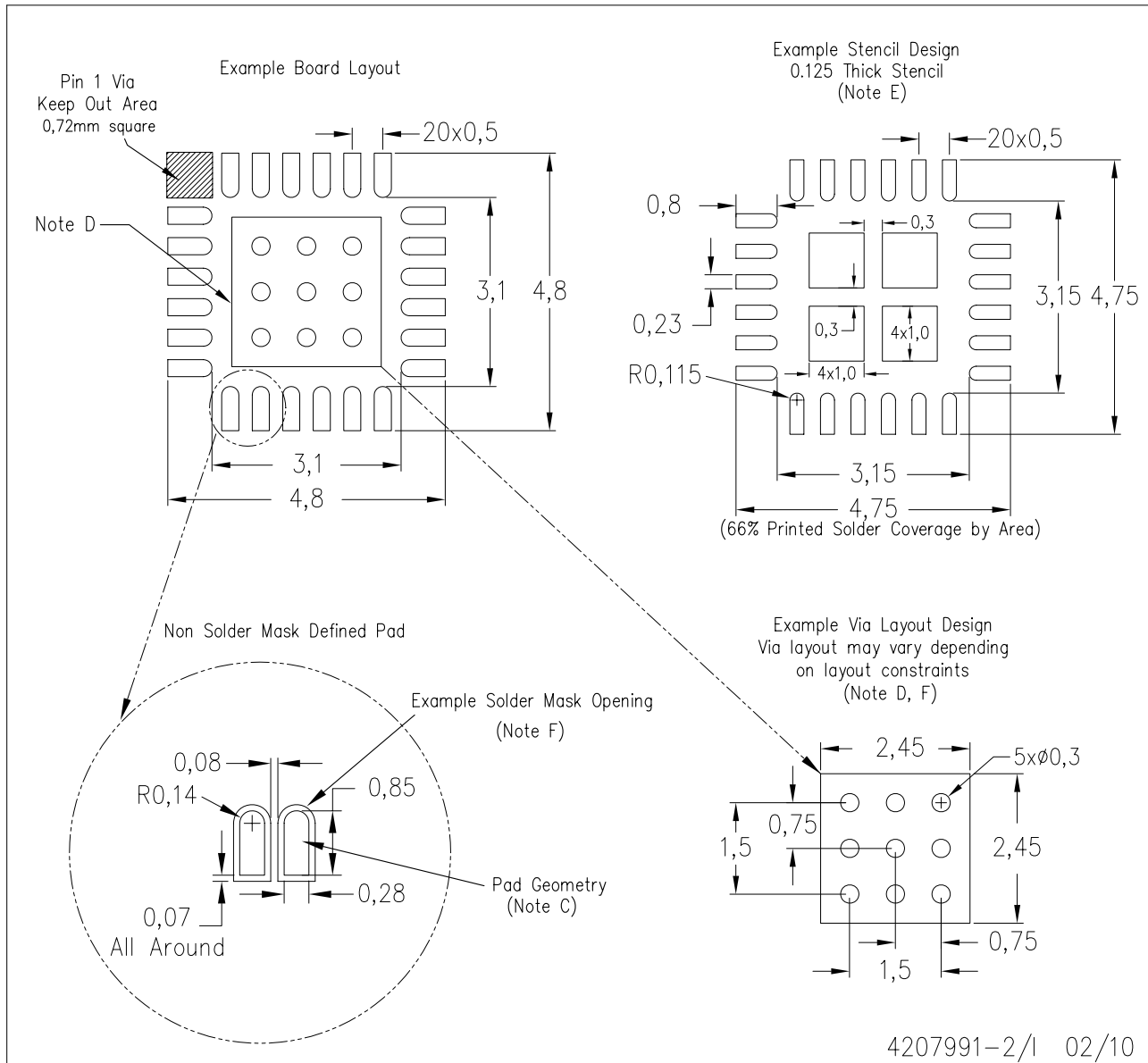


NOTES:

- 1) All linear dimensions are in millimeters
- 2) The Pin 1 Identification mark is an optional feature that may be present on some devices
 In addition, this Pin 1 feature if present is electrically connected to the center thermal pad and therefore should be considered when routing the board layout.

RGE (S-PVQFN-N24)

PLASTIC QUAD FLATPACK NO-LEAD



- NOTES:
- All linear dimensions are in millimeters.
 - This drawing is subject to change without notice.
 - Publication IPC-7351 is recommended for alternate designs.
 - This package is designed to be soldered to a thermal pad on the board. Refer to Application Note, Quad Flat-Pack Packages, Texas Instruments Literature No. SLUA271, and also the Product Data Sheets for specific thermal information, via requirements, and recommended board layout. These documents are available at www.ti.com <<http://www.ti.com>>.
 - Laser cutting apertures with trapezoidal walls and also rounding corners will offer better paste release. Customers should contact their board assembly site for stencil design recommendations. Refer to IPC 7525 for stencil design considerations.
 - Customers should contact their board fabrication site for recommended solder mask tolerances and via tenting recommendations for vias placed in the thermal pad.

IMPORTANT NOTICE

Texas Instruments Incorporated and its subsidiaries (TI) reserve the right to make corrections, modifications, enhancements, improvements, and other changes to its products and services at any time and to discontinue any product or service without notice. Customers should obtain the latest relevant information before placing orders and should verify that such information is current and complete. All products are sold subject to TI's terms and conditions of sale supplied at the time of order acknowledgment.

TI warrants performance of its hardware products to the specifications applicable at the time of sale in accordance with TI's standard warranty. Testing and other quality control techniques are used to the extent TI deems necessary to support this warranty. Except where mandated by government requirements, testing of all parameters of each product is not necessarily performed.

TI assumes no liability for applications assistance or customer product design. Customers are responsible for their products and applications using TI components. To minimize the risks associated with customer products and applications, customers should provide adequate design and operating safeguards.

TI does not warrant or represent that any license, either express or implied, is granted under any TI patent right, copyright, mask work right, or other TI intellectual property right relating to any combination, machine, or process in which TI products or services are used. Information published by TI regarding third-party products or services does not constitute a license from TI to use such products or services or a warranty or endorsement thereof. Use of such information may require a license from a third party under the patents or other intellectual property of the third party, or a license from TI under the patents or other intellectual property of TI.

Reproduction of TI information in TI data books or data sheets is permissible only if reproduction is without alteration and is accompanied by all associated warranties, conditions, limitations, and notices. Reproduction of this information with alteration is an unfair and deceptive business practice. TI is not responsible or liable for such altered documentation. Information of third parties may be subject to additional restrictions.

Resale of TI products or services with statements different from or beyond the parameters stated by TI for that product or service voids all express and any implied warranties for the associated TI product or service and is an unfair and deceptive business practice. TI is not responsible or liable for any such statements.

TI products are not authorized for use in safety-critical applications (such as life support) where a failure of the TI product would reasonably be expected to cause severe personal injury or death, unless officers of the parties have executed an agreement specifically governing such use. Buyers represent that they have all necessary expertise in the safety and regulatory ramifications of their applications, and acknowledge and agree that they are solely responsible for all legal, regulatory and safety-related requirements concerning their products and any use of TI products in such safety-critical applications, notwithstanding any applications-related information or support that may be provided by TI. Further, Buyers must fully indemnify TI and its representatives against any damages arising out of the use of TI products in such safety-critical applications.

TI products are neither designed nor intended for use in military/aerospace applications or environments unless the TI products are specifically designated by TI as military-grade or "enhanced plastic." Only products designated by TI as military-grade meet military specifications. Buyers acknowledge and agree that any such use of TI products which TI has not designated as military-grade is solely at the Buyer's risk, and that they are solely responsible for compliance with all legal and regulatory requirements in connection with such use.

TI products are neither designed nor intended for use in automotive applications or environments unless the specific TI products are designated by TI as compliant with ISO/TS 16949 requirements. Buyers acknowledge and agree that, if they use any non-designated products in automotive applications, TI will not be responsible for any failure to meet such requirements.

Following are URLs where you can obtain information on other Texas Instruments products and application solutions:

Products		Applications	
Amplifiers	amplifier.ti.com	Audio	www.ti.com/audio
Data Converters	dataconverter.ti.com	Automotive	www.ti.com/automotive
DLP® Products	www.dlp.com	Communications and Telecom	www.ti.com/communications
DSP	dsp.ti.com	Computers and Peripherals	www.ti.com/computers
Clocks and Timers	www.ti.com/clocks	Consumer Electronics	www.ti.com/consumer-apps
Interface	interface.ti.com	Energy	www.ti.com/energy
Logic	logic.ti.com	Industrial	www.ti.com/industrial
Power Mgmt	power.ti.com	Medical	www.ti.com/medical
Microcontrollers	microcontroller.ti.com	Security	www.ti.com/security
RFID	www.ti-rfid.com	Space, Avionics & Defense	www.ti.com/space-avionics-defense
RF/IF and ZigBee® Solutions	www.ti.com/lprf	Video and Imaging	www.ti.com/video
		Wireless	www.ti.com/wireless-apps