

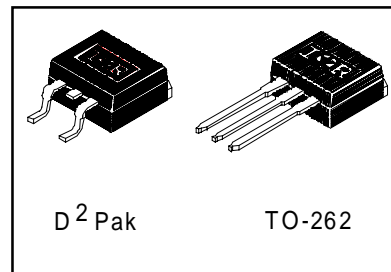
Applications

- Switch Mode Power Supply (SMPS)
- Uninterruptable Power Supply
- High speed power switching

| V _{DSS} | R _{ds(on)} max | I _D |
|------------------|-------------------------|----------------|
| 400V | 0.55Ω | 10A |

Benefits

- Low Gate Charge Q_g results in Simple Drive Requirement
- Improved Gate, Avalanche and dynamic dv/dt Ruggedness
- Fully Characterized Capacitance and Avalanche Voltage and Current
- Effective Coss specified (See AN 1001)



Absolute Maximum Ratings

| | Parameter | Max. | Units |
|---|--|------------------------|-------|
| I _D @ T _C = 25°C | Continuous Drain Current, V _{GS} @ 10V ^⑥ | 10 | A |
| I _D @ T _C = 100°C | Continuous Drain Current, V _{GS} @ 10V ^⑥ | 6.3 | |
| I _{DM} | Pulsed Drain Current ^{①⑥} | 40 | |
| P _D @ T _A = 25°C | Power Dissipation | 3.1 | W |
| P _D @ T _C = 25°C | Power Dissipation | 125 | |
| | Linear Derating Factor | 1.0 | W/°C |
| V _{GS} | Gate-to-Source Voltage | ± 30 | V |
| dv/dt | Peak Diode Recovery dv/dt ^{③⑥} | 5.9 | V/ns |
| T _J | Operating Junction and | -55 to + 150 | |
| T _{STG} | Storage Temperature Range | | °C |
| | Soldering Temperature, for 10 seconds | 300 (1.6mm from case) | |

Typical SMPS Topologies:

- Single transistor Flyback Xfmr. Reset
- Single Transistor Forward Xfmr. Reset
(Both for US Line Input only)

Notes ^① through ^⑤ are on page 10

9/14/99

IRF740AS/L

International
IR Rectifier

Static @ T_J = 25°C (unless otherwise specified)

| | Parameter | Min. | Typ. | Max. | Units | Conditions |
|--------------------------------------|--------------------------------------|------|------|------|-------|--|
| V _{(BR)DSS} | Drain-to-Source Breakdown Voltage | 400 | — | — | V | V _{GS} = 0V, I _D = 250μA |
| ΔV _{(BR)DSS/ΔT_J} | Breakdown Voltage Temp. Coefficient | — | 0.48 | — | | V/°C Reference to 25°C, I _D = 1mA [Ⓒ] |
| R _{DS(on)} | Static Drain-to-Source On-Resistance | — | — | 0.55 | Ω | V _{GS} = 10V, I _D = 6.0A ^④ |
| V _{GS(th)} | Gate Threshold Voltage | 2.0 | — | 4.0 | V | V _{DS} = V _{GS} , I _D = 250μA |
| I _{DSS} | Drain-to-Source Leakage Current | — | — | 25 | μA | V _{DS} = 400V, V _{GS} = 0V |
| | | — | — | 250 | | V _{DS} = 320V, V _{GS} = 0V, T _J = 125°C |
| I _{GSS} | Gate-to-Source Forward Leakage | — | — | 100 | nA | V _{GS} = 30V |
| | Gate-to-Source Reverse Leakage | — | — | -100 | | V _{GS} = -30V |

Dynamic @ T_J = 25°C (unless otherwise specified)

| | Parameter | Min. | Typ. | Max. | Units | Conditions |
|-----------------------|---------------------------------|------|------|------|-------|--|
| g _{fs} | Forward Transconductance | 4.9 | — | — | S | V _{DS} = 50V, I _D = 6.0A [Ⓒ] |
| Q _g | Total Gate Charge | — | — | 36 | nC | I _D = 10A |
| Q _{gs} | Gate-to-Source Charge | — | — | 9.9 | | V _{DS} = 320V |
| Q _{gd} | Gate-to-Drain ("Miller") Charge | — | — | 16 | | V _{GS} = 10V, See Fig. 6 and 13 ^{④⑥} |
| t _{d(on)} | Turn-On Delay Time | — | 10 | — | ns | V _{DD} = 200V |
| t _r | Rise Time | — | 35 | — | | I _D = 10A |
| t _{d(off)} | Turn-Off Delay Time | — | 24 | — | | R _G = 10Ω |
| t _f | Fall Time | — | 22 | — | | R _D = 19.5Ω, See Fig. 10 ^{④⑥} |
| C _{iss} | Input Capacitance | — | 1030 | — | pF | V _{GS} = 0V |
| C _{oss} | Output Capacitance | — | 170 | — | | V _{DS} = 25V |
| C _{rss} | Reverse Transfer Capacitance | — | 7.7 | — | | f = 1.0MHz, See Fig. 5 [Ⓒ] |
| C _{oss} | Output Capacitance | — | 1490 | — | | V _{GS} = 0V, V _{DS} = 1.0V, f = 1.0MHz |
| C _{oss} | Output Capacitance | — | 52 | — | | V _{GS} = 0V, V _{DS} = 320V, f = 1.0MHz |
| C _{oss eff.} | Effective Output Capacitance | — | 61 | — | | V _{GS} = 0V, V _{DS} = 0V to 320V ^{⑤⑥} |

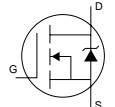
Avalanche Characteristics

| | Parameter | Typ. | Max. | Units |
|-----------------|---|------|------|-------|
| E _{AS} | Single Pulse Avalanche Energy ^{②⑥} | — | 630 | mJ |
| I _{AR} | Avalanche Current ^① | — | 10 | A |
| E _{AR} | Repetitive Avalanche Energy ^① | — | 12.5 | mJ |

Thermal Resistance

| | Parameter | Typ. | Max. | Units |
|------------------|---|------|------|-------|
| R _{θJC} | Junction-to-Case | — | 1.0 | °C/W |
| R _{θJA} | Junction-to-Ambient (PCB Mounted, steady-state)* | — | 40 | |

Diode Characteristics

| | Parameter | Min. | Typ. | Max. | Units | Conditions |
|-----------------|---|--|------|------|-------|--|
| I _S | Continuous Source Current (Body Diode) | — | — | 10 | A | MOSFET symbol showing the integral reverse p-n junction diode.  |
| I _{SM} | Pulsed Source Current (Body Diode) ^① | — | — | 40 | | |
| V _{SD} | Diode Forward Voltage | — | — | 2.0 | V | T _J = 25°C, I _S = 10A, V _{GS} = 0V ^④ |
| t _{rr} | Reverse Recovery Time | — | 240 | 360 | ns | T _J = 25°C, I _F = 10A |
| Q _{rr} | Reverse Recovery Charge | — | 1.9 | 2.9 | μC | di/dt = 100A/μs ^{④⑥} |
| t _{on} | Forward Turn-On Time | Intrinsic turn-on time is negligible (turn-on is dominated by L _S +L _D) | | | | |

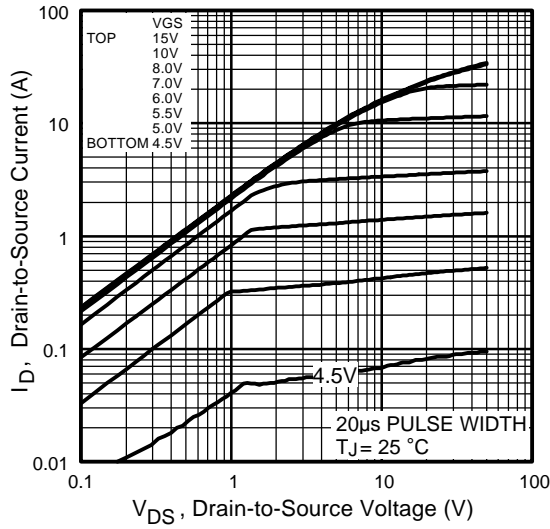


Fig 1. Typical Output Characteristics

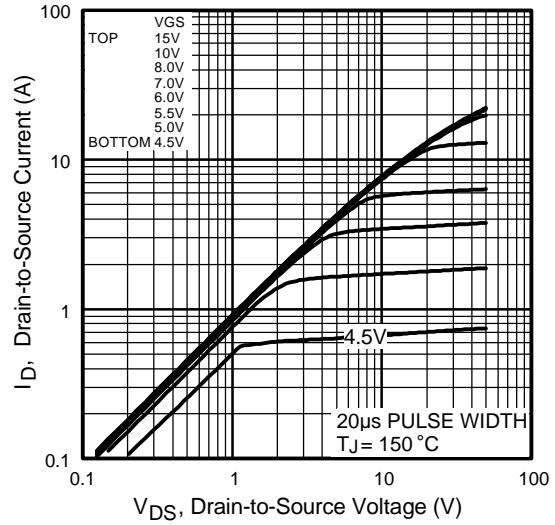


Fig 2. Typical Output Characteristics

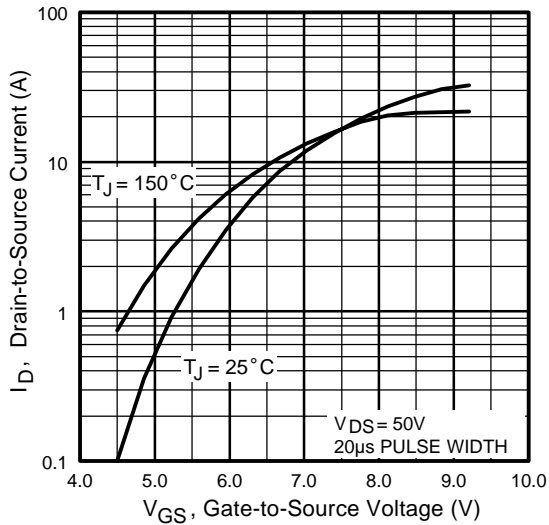


Fig 3. Typical Transfer Characteristics

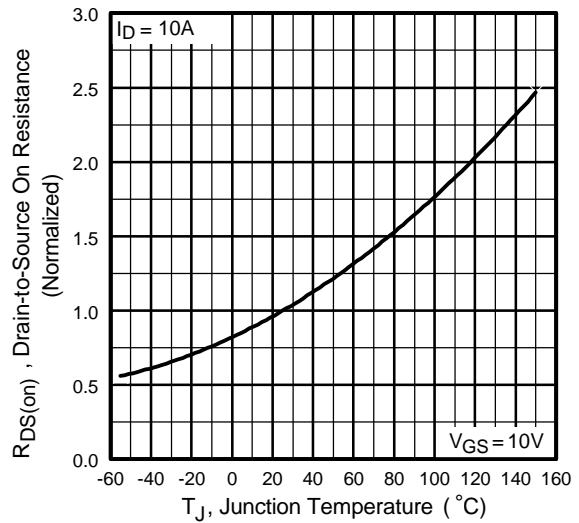


Fig 4. Normalized On-Resistance Vs. Temperature

IRF740AS/L

International
IR Rectifier

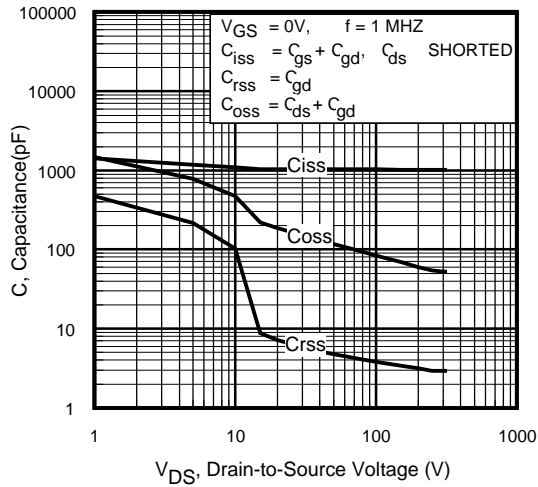


Fig 5. Typical Capacitance Vs. Drain-to-Source Voltage

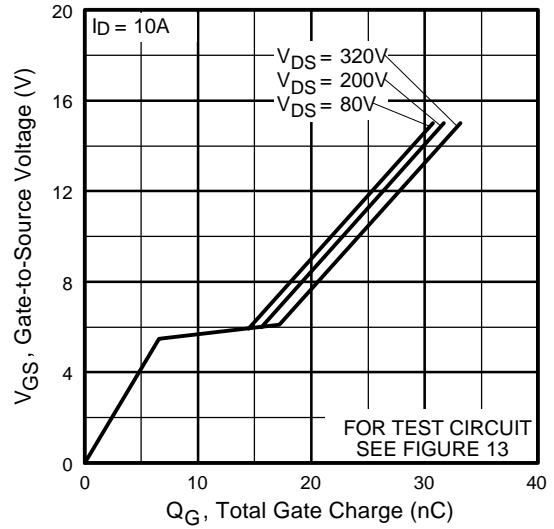


Fig 6. Typical Gate Charge Vs. Gate-to-Source Voltage

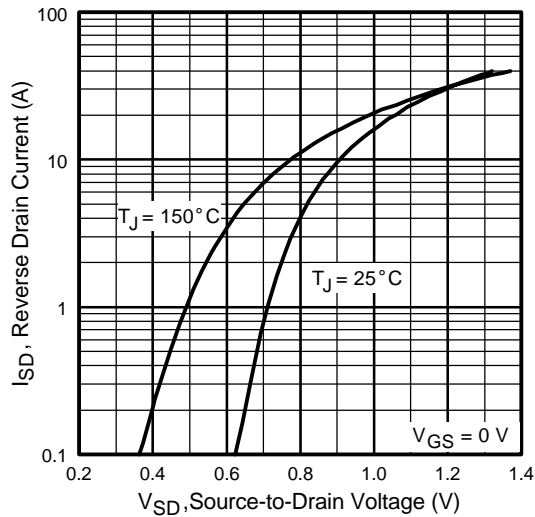


Fig 7. Typical Source-Drain Diode Forward Voltage

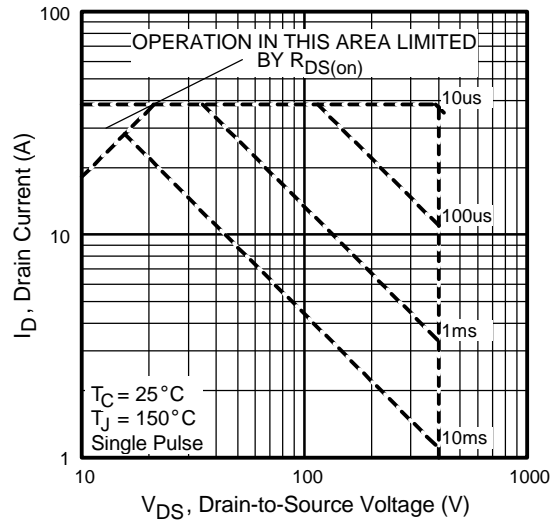


Fig 8. Maximum Safe Operating Area

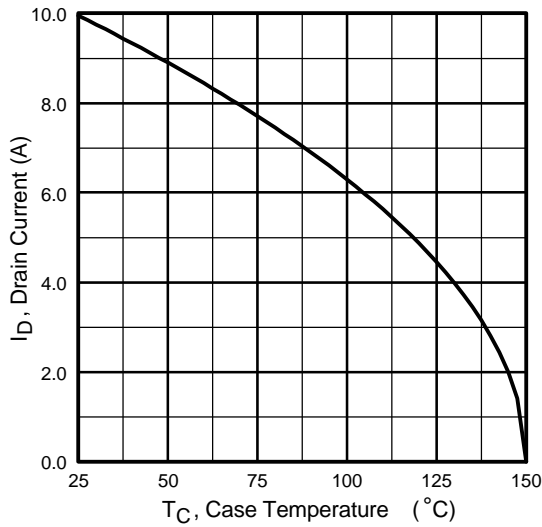


Fig 9. Maximum Drain Current Vs. Case Temperature

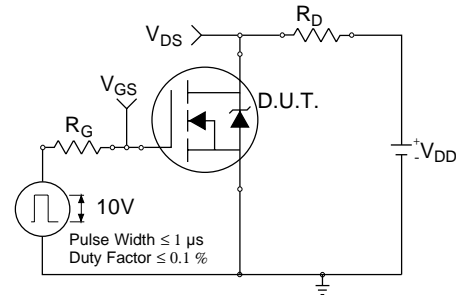


Fig 10a. Switching Time Test Circuit

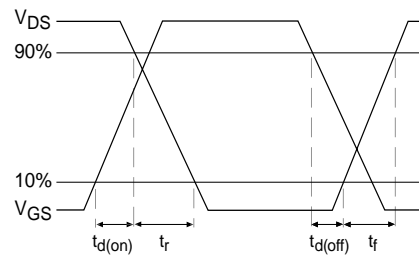


Fig 10b. Switching Time Waveforms

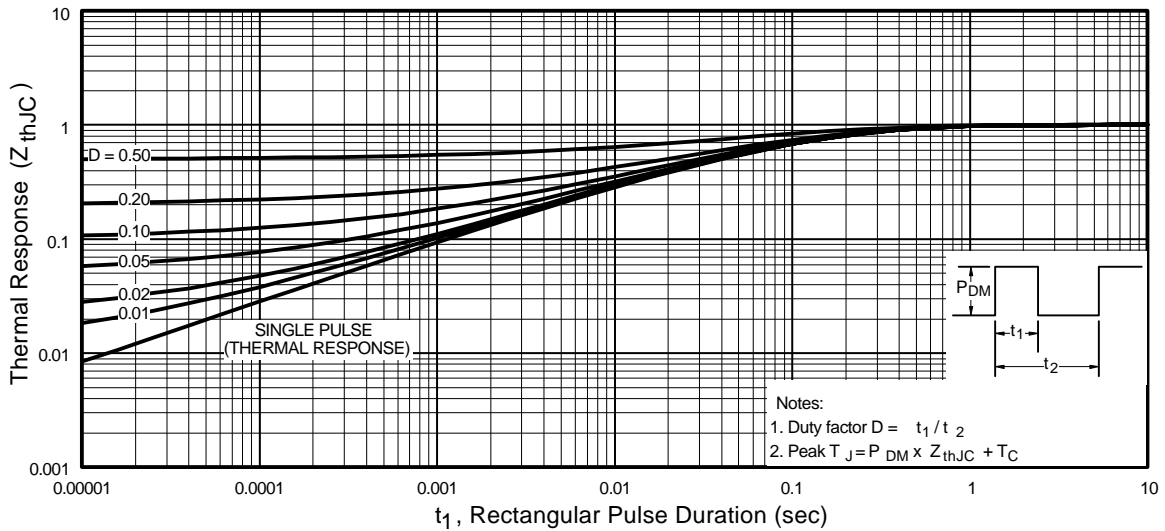


Fig 11. Maximum Effective Transient Thermal Impedance, Junction-to-Case

IRF740AS/L

International
IOR Rectifier

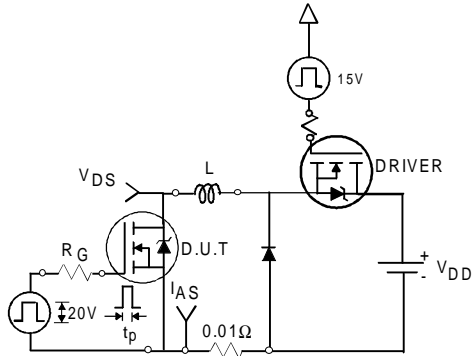


Fig 12a. Unclamped Inductive Test Circuit

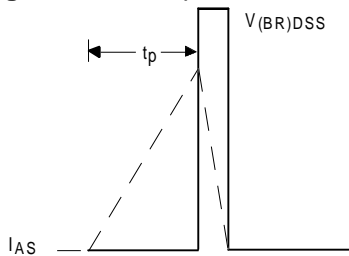


Fig 12b. Unclamped Inductive Waveforms

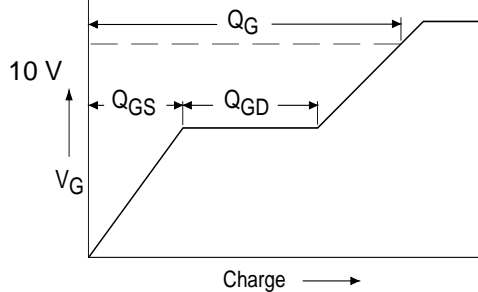


Fig 13a. Basic Gate Charge Waveform

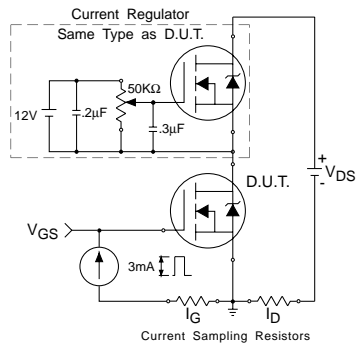


Fig 13b. Gate Charge Test Circuit

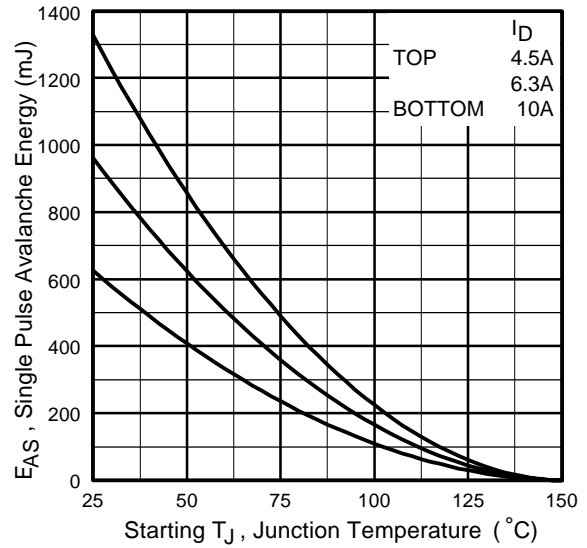


Fig 12c. Maximum Avalanche Energy Vs. Drain Current

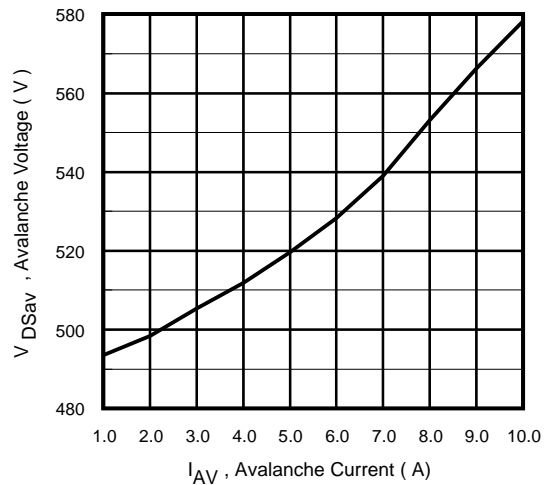
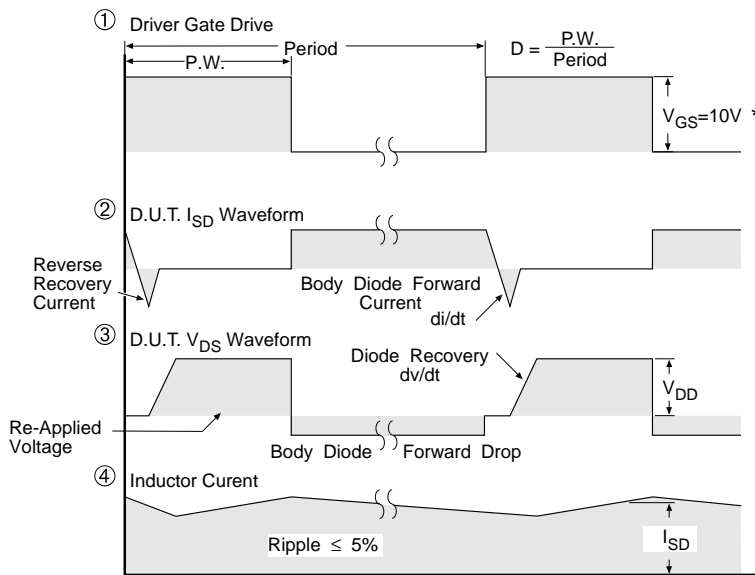
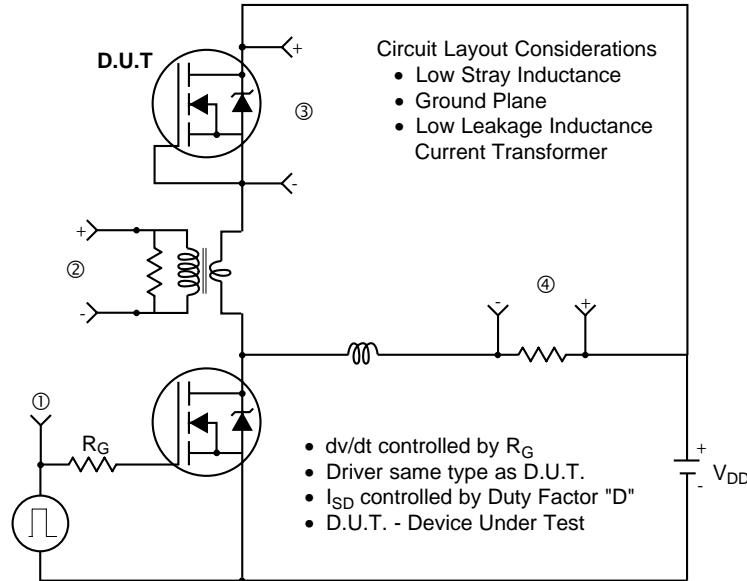


Fig 12d. Typical Drain-to-Source Voltage Vs. Avalanche Current

Peak Diode Recovery dv/dt Test Circuit



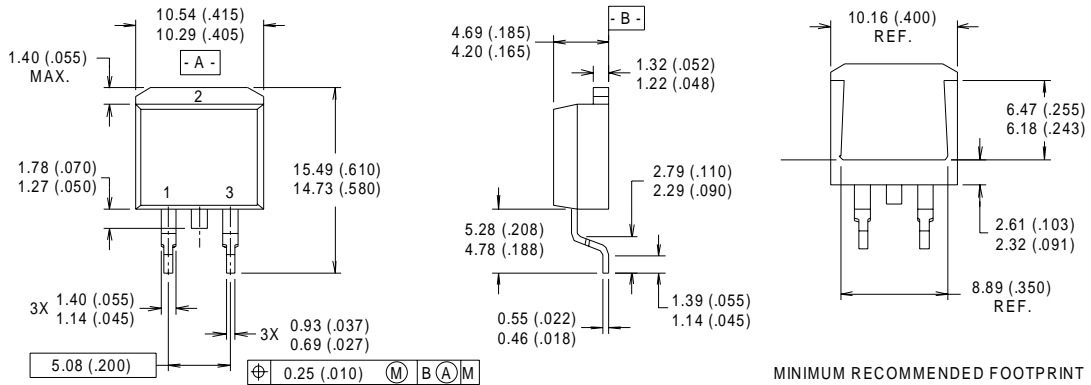
* $V_{GS} = 5V$ for Logic Level Devices

Fig 14. For N-Channel HEXFETS

IRF740AS/L

International
IR Rectifier

D²Pak Package Outline



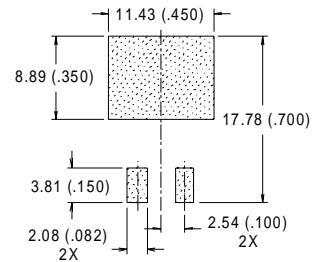
NOTES:

- 1 DIMENSIONS AFTER SOLDER DIP.
- 2 DIMENSIONING & TOLERANCING PER ANS Y14.5M, 1982.
- 3 CONTROLLING DIMENSION : INCH.
- 4 HEATSINK & LEAD DIMENSIONS DO NOT INCLUDE BURRS.

LEAD ASSIGNMENTS

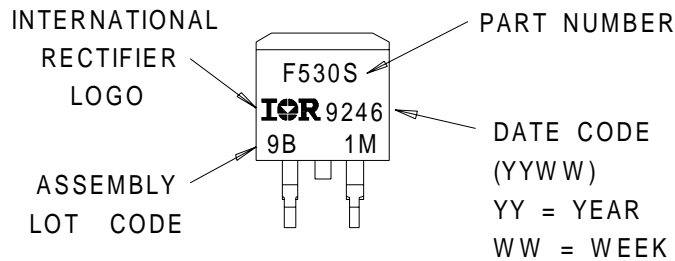
- 1 - GATE
- 2 - DRAIN
- 3 - SOURCE

MINIMUM RECOMMENDED FOOTPRINT



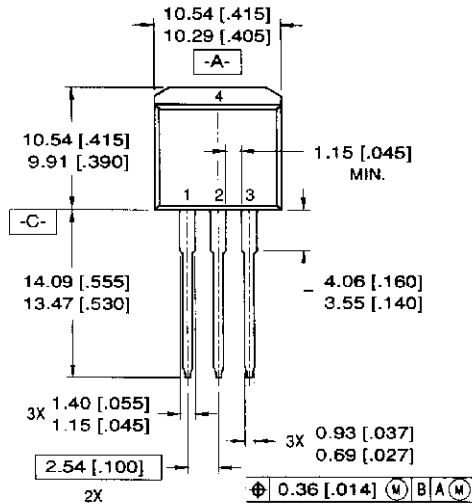
Part Marking Information

D²Pak



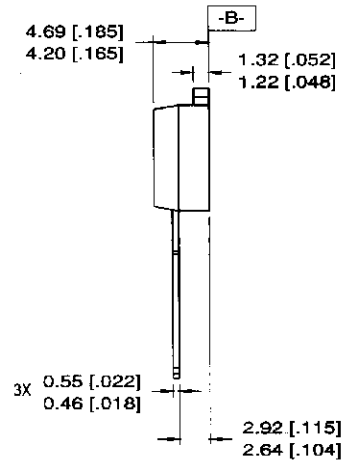
Package Outline

TO-262 Outline



LEAD ASSIGNMENTS

- | | |
|-----------|------------|
| 1 = GATE | 3 = SOURCE |
| 2 = DRAIN | 4 = DRAIN |



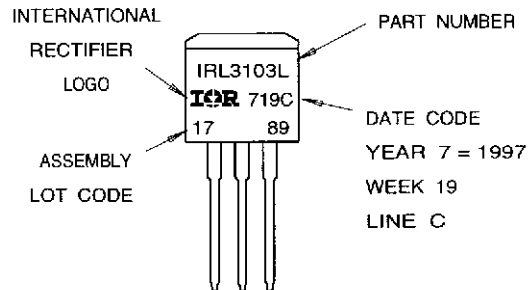
NOTES:

1. DIMENSIONING & TOLERANCING PER ANSI Y14.5M-1982
2. CONTROLLING DIMENSION: INCH.
3. DIMENSIONS ARE SHOWN IN MILLIMETERS (INCHES).
4. HEATSINK & LEAD DIMENSIONS DO NOT INCLUDE BURRS.

Part Marking Information

TO-262

EXAMPLE: THIS IS AN IRL3103L
 LOT CODE 1789
 ASSEMBLED ON WW 19, 1997
 IN THE ASSEMBLY LINE "C"

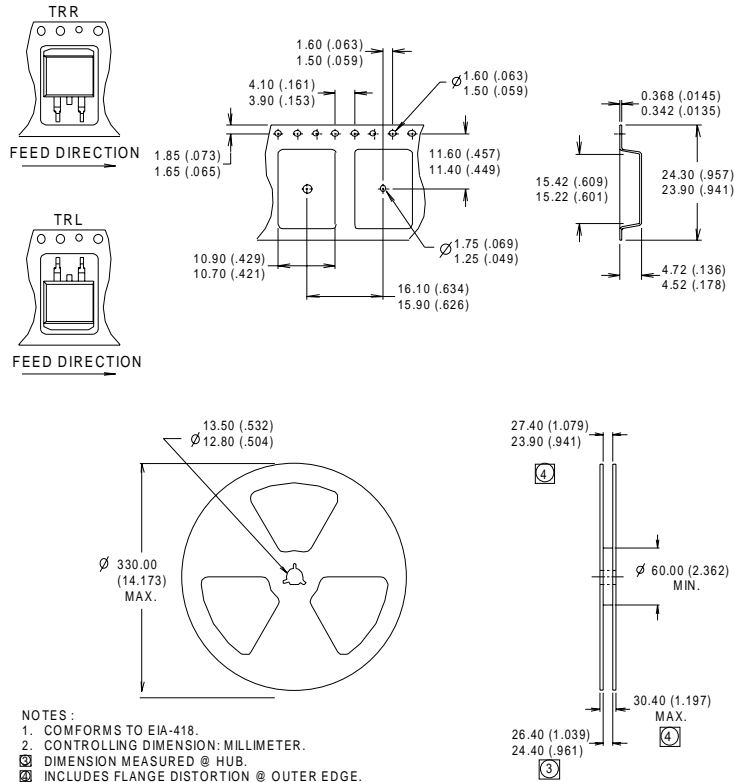


IRF740AS/L

International
IR Rectifier

Tape & Reel Information

D²Pak



Notes:

- ① Repetitive rating; pulse width limited by max. junction temperature. (See fig. 11)
- ② Starting $T_J = 25^\circ\text{C}$, $L = 12.6\text{mH}$
 $R_G = 25\Omega$, $I_{AS} = 10\text{A}$. (See Figure 12)
- ③ $I_{SD} \leq 10\text{A}$, $di/dt \leq 330\text{A}/\mu\text{s}$, $V_{DD} \leq V_{(BR)DSS}$,
 $T_J \leq 150^\circ\text{C}$
- ④ Pulse width $\leq 300\mu\text{s}$; duty cycle $\leq 2\%$.
- ⑤ C_{OSS} eff. is a fixed capacitance that gives the same charging time as C_{OSS} while V_{DS} is rising from 0 to 80% V_{DSS}
- ⑥ Uses IRF740A data and test conditions

* When mounted on 1" square PCB (FR-4 or G-10 Material).

For recommended footprint and soldering techniques refer to application note #AN-994.

International
IR Rectifier

WORLD HEADQUARTERS: 233 Kansas St., El Segundo, California 90245, Tel: (310) 322 3331

IR GREAT BRITAIN: Hurst Green, Oxted, Surrey RH8 9BB, UK Tel: ++ 44 1883 732020

IR CANADA: 15 Lincoln Court, Brampton, Ontario L6T3Z2, Tel: (905) 453 2200

IR GERMANY: Saalburgstrasse 157, 61350 Bad Homburg Tel: ++ 49 6172 96590

IR ITALY: Via Liguria 49, 10071 Borgaro, Torino Tel: ++ 39 11 451 0111

IR FAR EAST: K&H Bldg., 2F, 30-4 Nishi-Ikebukuro 3-Chome, Toshima-Ku, Tokyo Japan 171 Tel: 81 3 3983 0086

IR SOUTHEAST ASIA: 1 Kim Seng Promenade, Great World City West Tower, 13-11, Singapore 237994 Tel: ++ 65 838 4630

IR TAIWAN: 16 Fl. Suite D. 207, Sec. 2, Tun Haw South Road, Taipei, 10673, Taiwan Tel: 886-2-2377-9936

Data and specifications subject to change without notice. 9/99



Notice

The products described herein were acquired by Vishay Intertechnology, Inc., as part of its acquisition of International Rectifier's Power Control Systems (PCS) business, which closed in April 2007. Specifications of the products displayed herein are pending review by Vishay and are subject to the terms and conditions shown below.

Specifications of the products displayed herein are subject to change without notice. Vishay Intertechnology, Inc., or anyone on its behalf, assumes no responsibility or liability for any errors or inaccuracies.

Information contained herein is intended to provide a product description only. No license, express or implied, by estoppel or otherwise, to any intellectual property rights is granted by this document. Except as provided in Vishay's terms and conditions of sale for such products, Vishay assumes no liability whatsoever, and disclaims any express or implied warranty, relating to sale and/or use of Vishay products including liability or warranties relating to fitness for a particular purpose, merchantability, or infringement of any patent, copyright, or other intellectual property right.

The products shown herein are not designed for use in medical, life-saving, or life-sustaining applications. Customers using or selling these products for use in such applications do so at their own risk and agree to fully indemnify Vishay for any damages resulting from such improper use or sale.

International Rectifier®, IR®, the IR logo, HEXFET®, HEXSense®, HEXDIP®, DOL®, INTERO®, and POWIRTRAIN® are registered trademarks of International Rectifier Corporation in the U.S. and other countries. All other product names noted herein may be trademarks of their respective owners.