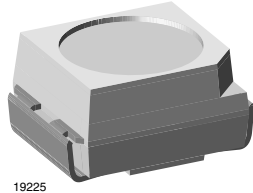


## Standard SMD LED PLCC-2



### FEATURES

- SMD LED with exceptional brightness
- Luminous intensity categorized
- Compatible with automatic placement equipment
- EIA and ICE standard package
- Compatible with IR reflow, vapor phase and wave solder processes according to CECC 00802 and J-STD-020B
- Available in 8 mm tape
- Low profile package
- Non-diffused lens: excellent for coupling to light pipes and backlighting
- Low power consumption
- Luminous intensity ratio in one packaging unit  $I_{Vmax}/I_{Vmin} \leq 1.6$
- Lead (Pb)-free device
- Preconditioning: acc. to JEDEC level 2a
- ESD-withstand voltage: > 1 kV acc. to MIL STD 883 D, Method 3015.7



### DESCRIPTION

This device has been designed to meet the increasing demand for InGaN technology.

The package of the VLMB/BG/TG31.. is the PLCC-2. It consists of a lead frame which is embedded in a white thermoplast. The reflector inside this package is filled up with clear epoxy.

### PRODUCT GROUP AND PACKAGE DATA

- Product group: LED
- Package: SMD PLCC-2
- Product series: standard
- Angle of half intensity:  $\pm 60^\circ$

### APPLICATIONS

- Automotive: backlighting in dashboards and switches
- Telecommunication: indicator and backlighting in telephone and fax
- Indicator and backlight for audio and video equipment
- Indicator and backlight in office equipment
- Flat backlight for LCDs, switches and symbols
- General use

PARTS TABLE		
PART	COLOR, LUMINOUS INTENSITY	TECHNOLOGY
VLMB3140-GS08	Blue, $I_V > 45$ mcd	InGaN on SiC
VLMB3140-GS18	Blue, $I_V > 45$ mcd	InGaN on SiC
VLMBG3100-GS08	Blue green, $I_V > 140$ mcd	InGaN on SiC
VLMBG3100-GS18	Blue green, $I_V > 140$ mcd	InGaN on SiC
VLMTG3100-GS08	True green, $I_V > 180$ mcd	InGaN on SiC
VLMTG3100-GS18	True green, $I_V > 180$ mcd	InGaN on SiC

<b>ABSOLUTE MAXIMUM RATINGS<sup>1)</sup> VLMB3140, VLMBG3100, VLMTG3100</b>				
PARAMETER	TEST CONDITION	SYMBOL	VALUE	UNIT
Reverse voltage <sup>2)</sup>		$V_R$	5	V
DC Forward current	$T_{amb} \leq 80\text{ }^\circ\text{C}$	$I_F$	20	mA
Surge forward current	$t_p \leq 10\text{ }\mu\text{s}$	$I_{FSM}$	0.2	A
Power dissipation		$P_V$	84	mW
Junction temperature		$T_j$	110	$^\circ\text{C}$
Operating temperature range		$T_{amb}$	- 40 to + 100	$^\circ\text{C}$
Storage temperature range		$T_{stg}$	- 40 to + 100	$^\circ\text{C}$
Thermal resistance junction/ambient	mounted on PC board (pad size > 16 mm <sup>2</sup> )	$R_{thJA}$	350	K/W

Note:

<sup>1)</sup>  $T_{amb} = 25\text{ }^\circ\text{C}$ , unless otherwise specified

<sup>2)</sup> Driving LED in reverse direction is suitable for short term application

<b>OPTICAL AND ELECTRICAL CHARACTERISTICS<sup>1)</sup> VLMB3140, BLUE</b>						
PARAMETER	TEST CONDITION	SYMBOL	MIN	TYP	MAX	UNIT
Luminous intensity <sup>2)</sup>	$I_F = 20\text{ mA}$	$I_V$	45	100		mcd
Dominant wavelength	$I_F = 20\text{ mA}$	$\lambda_d$	462	470	476	nm
Peak wavelength	$I_F = 20\text{ mA}$	$\lambda_p$		464		nm
Angle of half intensity	$I_F = 20\text{ mA}$	$\phi$		$\pm 60$		deg
Forward voltage	$I_F = 20\text{ mA}$	$V_F$		3	4.2	V
Reverse voltage	$I_R = 10\text{ }\mu\text{A}$	$V_R$	5			V
Temperature coefficient of $V_F$	$I_F = 20\text{ mA}$	$TC_V$		- 4		mV/K
Temperature coefficient of $I_V$	$I_F = 20\text{ mA}$	$TC_I$		- 0.4		%/K

Note:

<sup>1)</sup>  $T_{amb} = 25\text{ }^\circ\text{C}$ , unless otherwise specified

<sup>2)</sup> in one Packing Unit  $I_{Vmax}/I_{Vmin} \leq 1.6$

<b>OPTICAL AND ELECTRICAL CHARACTERISTICS<sup>1)</sup> VLMBG3100, BLUE GREEN</b>						
PARAMETER	TEST CONDITION	SYMBOL	MIN	TYP	MAX	UNIT
Luminous intensity <sup>2)</sup>	$I_F = 20\text{ mA}$	$I_V$	140	220		mcd
Dominant wavelength	$I_F = 20\text{ mA}$	$\lambda_d$	496	505	514	nm
Peak wavelength	$I_F = 20\text{ mA}$	$\lambda_p$		502		nm
Angle of half intensity	$I_F = 20\text{ mA}$	$\phi$		$\pm 60$		deg
Forward voltage	$I_F = 20\text{ mA}$	$V_F$		3	4.2	V
Reverse voltage	$I_R = 10\text{ }\mu\text{A}$	$V_R$	5			V
Temperature coefficient of $V_F$	$I_F = 20\text{ mA}$	$TC_V$		- 4		mV/K
Temperature coefficient of $I_V$	$I_F = 20\text{ mA}$	$TC_I$		- 0.2		%/K

Note:

<sup>1)</sup>  $T_{amb} = 25\text{ }^\circ\text{C}$ , unless otherwise specified

<sup>2)</sup> in one Packing Unit  $I_{Vmax}/I_{Vmin} \leq 1.6$



<b>OPTICAL AND ELECTRICAL CHARACTERISTICS<sup>1)</sup> VLMTG3100, TRUE GREEN</b>						
PARAMETER	TEST CONDITION	SYMBOL	MIN	TYP	MAX	UNIT
Luminous intensity <sup>2)</sup>	I <sub>F</sub> = 20 mA	I <sub>V</sub>	180	300		mcd
Dominant wavelength	I <sub>F</sub> = 20 mA	λ <sub>d</sub>	515	528	541	nm
Peak wavelength	I <sub>F</sub> = 20 mA	λ <sub>p</sub>		522		nm
Angle of half intensity	I <sub>F</sub> = 20 mA	φ		± 60		deg
Forward voltage	I <sub>F</sub> = 20 mA	V <sub>F</sub>		3	4.2	V
Reverse voltage	I <sub>R</sub> = 10 μA	V <sub>R</sub>	5			V
Temperature coefficient of V <sub>F</sub>	I <sub>F</sub> = 20 mA	TC <sub>V</sub>		- 3.5		mV/K
Temperature coefficient of I <sub>V</sub>	I <sub>F</sub> = 20 mA	TC <sub>I</sub>		- 0.3		%/K

Note:

<sup>1)</sup> T<sub>amb</sub> = 25 °C, unless otherwise specified

<sup>2)</sup> In one Packing Unit I<sub>Vmax</sub>/I<sub>Vmin</sub> ≤ 1.6

<b>LUMINOUS INTENSITY CLASSIFICATION</b>			
GROUP	LIGHT INTENSITY (MCD)		
STANDARD	OPTIONAL	MIN	MAX
P	1	45	56
	2	56	71
Q	1	71	90
	2	90	112
R	1	112	140
	2	140	180
S	1	180	224
	2	224	280
T	1	280	355
	2	355	450
U	1	450	560
	2	560	710

Note:

Luminous intensity is tested at a current pulse duration of 25 ms and an accuracy of ± 11 %.

The above type numbers represent the order groups which include only a few brightness groups. Only one group will be shipped on each reel (there will be no mixing of two groups on each reel).

In order to ensure availability, single brightness groups will not be orderable.

In a similar manner for colors where wavelength groups are measured and binned, single wavelength groups will be shipped on any one reel.

In order to ensure availability, single wavelength groups will not be orderable.

<b>CROSSING TABLE</b>	
VISHAY	OSRAM
VLMB3140	LBT673
VLMBG3100	LVT673
VLMTG3100	LTT673

<b>COLOR CLASSIFICATION</b>						
GROUP	BLUE		BLUE GREEN		TRUE GREEN	
	DOM. WAVELENGTH (NM)					
	MIN.	MAX.	MIN.	MAX.	MIN.	MAX.
2	458	464				
3	462	468	496	502	515	523
4	466	472	500	506	521	529
5	470	476	504	510	527	535
6	474	480	508	514	533	541

**TYPICAL CHARACTERISTICS**

$T_{amb} = 25\text{ }^{\circ}\text{C}$ , unless otherwise specified

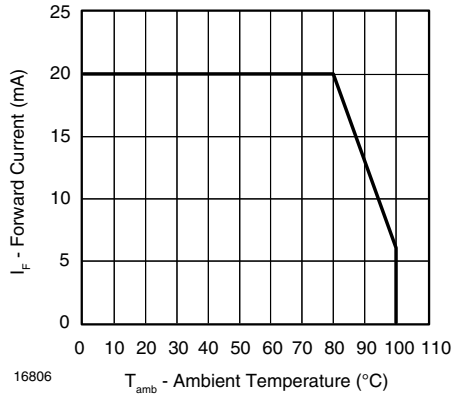


Figure 1. Forward Current vs. Ambient Temperature for InGaN

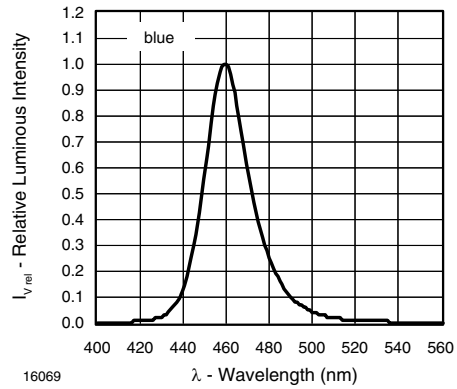


Figure 4. Relative Intensity vs. Wavelength

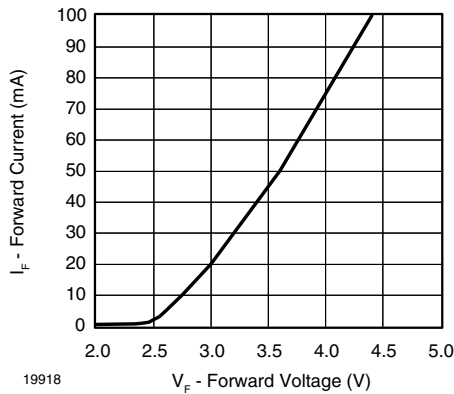


Figure 2. Forward Current vs. Forward Voltage

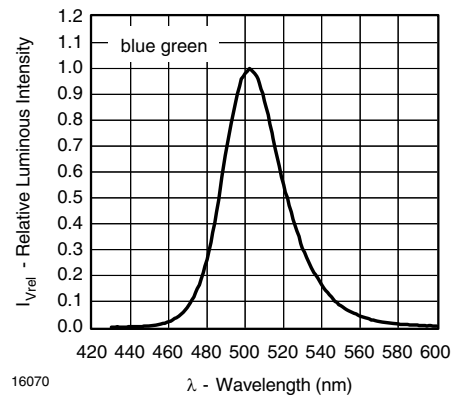


Figure 5. Relative Intensity vs. Wavelength

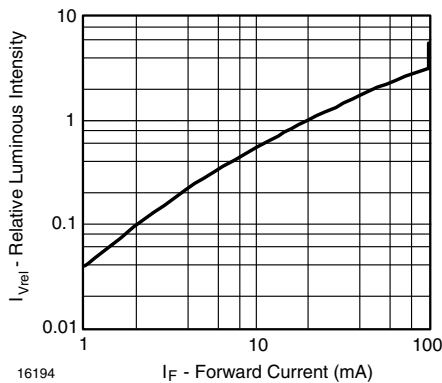


Figure 3. Specific Luminous Flux vs. Forward Current

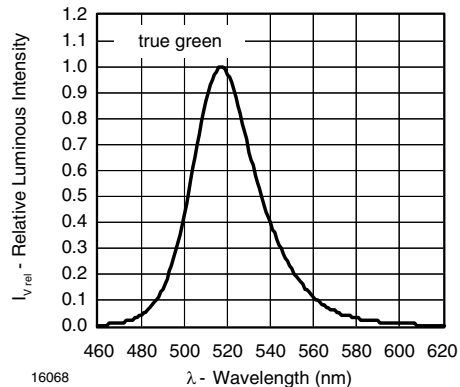
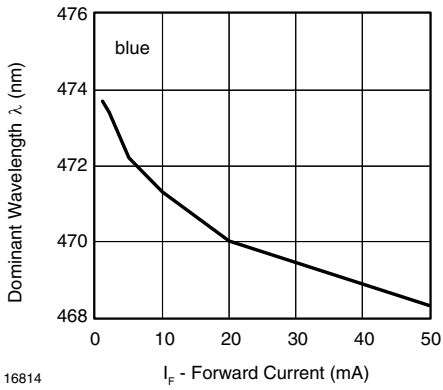
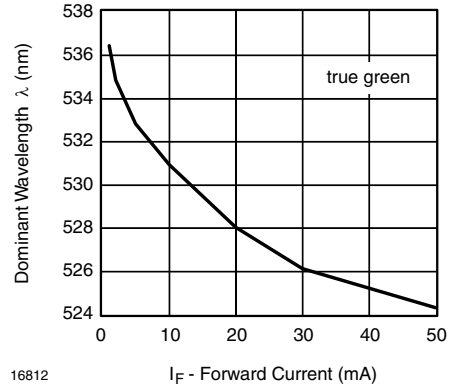


Figure 6. Relative Intensity vs. Wavelength



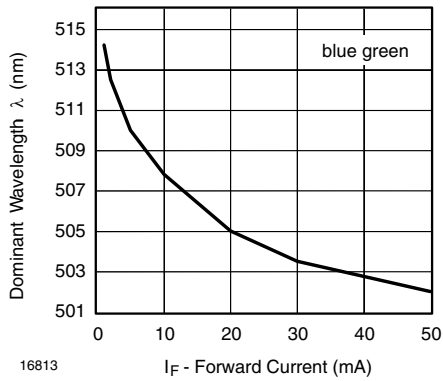
16814

Figure 7. Dominant Wavelength vs. Forward Current



16812

Figure 9. Dominant Wavelength vs. Forward Current



16813

Figure 8. Dominant Wavelength vs. Forward Current

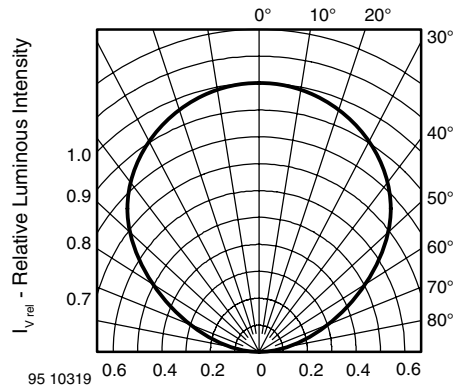
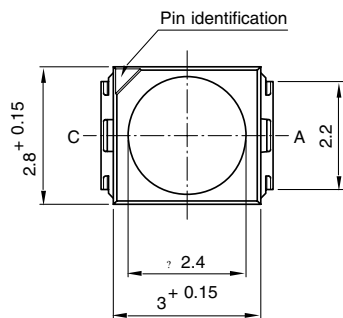
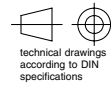
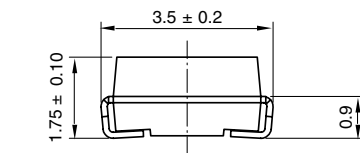
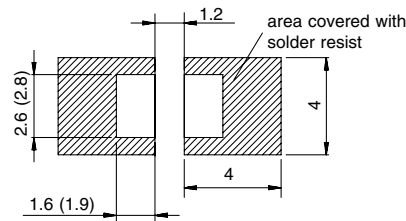


Figure 10. Relative Luminous Intensity

**PACKAGE DIMENSIONS** in millimeters



**Mounting Pad Layout**

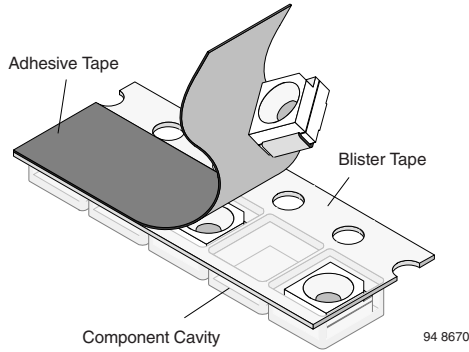


Drawing-No.: 6.541-5025.01-4  
Issue: 8; 22.11.05  
95 11314-1

## METHOD OF TAPING/POLARITY AND TAPE AND REEL

### SMD LED (VLM3 - SERIES)

Vishay's LEDs in SMD packages are available in an antistatic 8 mm blister tape (in accordance with DIN IEC 40 (CO) 564) for automatic component insertion. The blister tape is a plastic strip with impressed component cavities, covered by a top tape.



### REEL PACKAGE DIMENSION IN MM FOR SMD LEDs, TAPE OPTION GS08 (= 1500 PCS.)

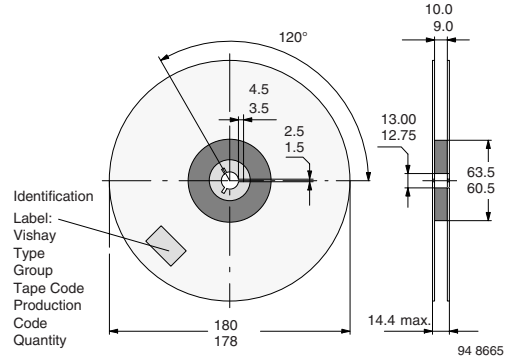


Figure 12. Reel Dimensions - GS08

### TAPING OF VLM.3..

### REEL PACKAGE DIMENSION IN MM FOR SMD LEDs, TAPE OPTION GS18 (= 8000 PCS.) PREFERRED

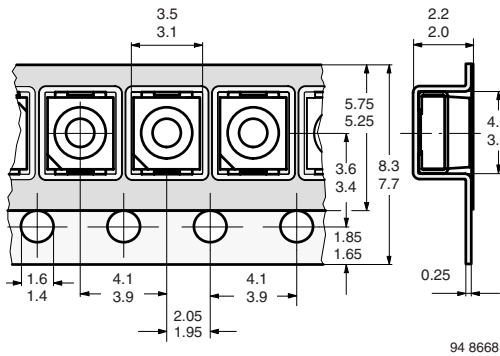


Figure 11. Tape Dimensions in mm for PLCC-2

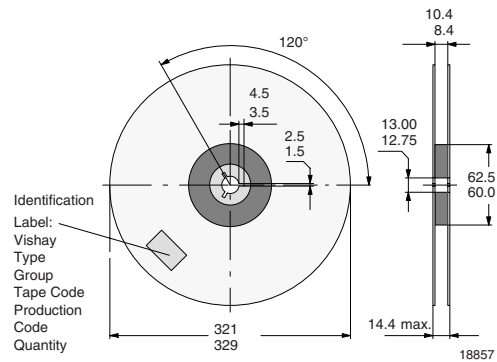


Figure 13. Reel Dimensions - GS18

**SOLDERING PROFILE**

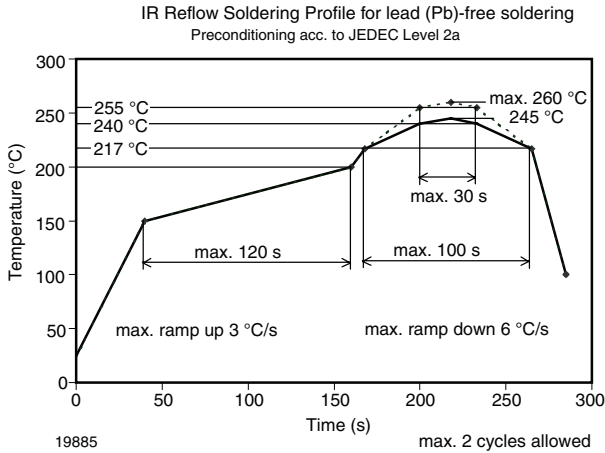


Figure 14. Vishay Lead (Pb)-free Reflow Soldering Profile (acc. to J-STD-020B)

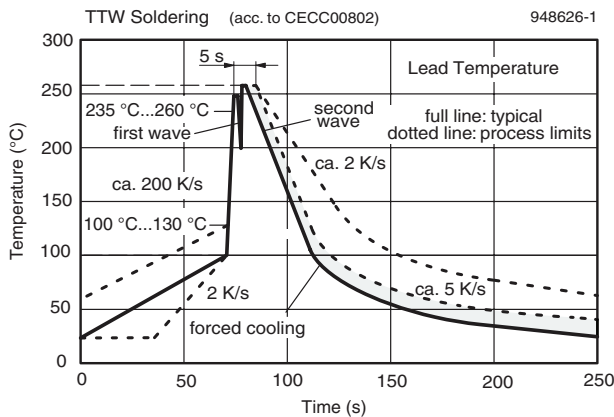
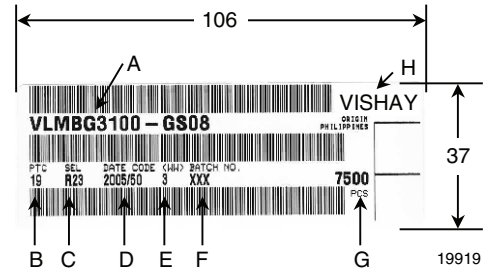


Figure 15. Double Wave Soldering of Opto Devices (all Packages)

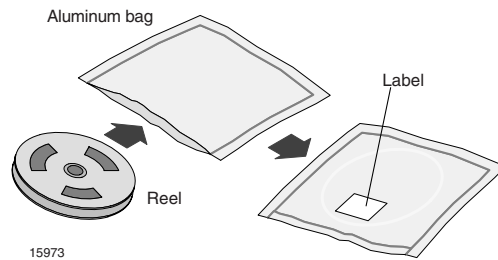
**BARCODE PRODUCT LABEL  
EXAMPLE:**



- A) Type of component
- B) Manufacturing plant
- C) SEL - selection code (bin):  
e.g.: R2 = code for luminous intensity group  
3 = code for color group
- D) Date code year/week
- E) Day code (e. g. 3: Wednesday)
- F) Batch no.
- G) Total quantity
- H) Company code

**DRY PACKING**

The reel is packed in an anti-humidity bag to protect the devices from absorbing moisture during transportation and storage.



**FINAL PACKING**

The sealed reel is packed into a cardboard box. A secondary cardboard box is used for shipping purposes.

**RECOMMENDED METHOD OF STORAGE**

Dry box storage is recommended as soon as the aluminum bag has been opened to prevent moisture absorption. The following conditions should be observed, if dry boxes are not available:

- Storage temperature 10 °C to 30 °C
- Storage humidity ≤ 60 % RH max.

After more than 672 h under these conditions moisture content will be too high for reflow soldering.

In case of moisture absorption, the devices will recover to the former condition by drying under the following condition:

192 h at 40 °C + 5 °C/- 0 °C and < 5 % RH (dry air/nitrogen) or

96 h at 60 °C + 5 °C and < 5 % RH for all device containers or

24 h at 100 °C + 5 °C not suitable for reel or tubes.

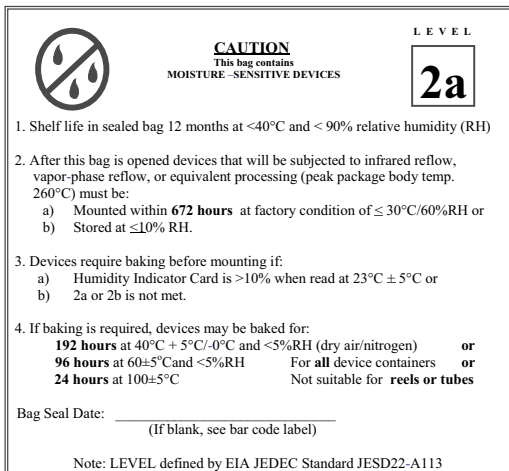
An EIA JEDEC Standard JESD22-A112 level 2a label is included on all dry bags.

**ESD PRECAUTION**

Proper storage and handling procedures should be followed to prevent ESD damage to the devices especially when they are removed from the antistatic shielding bag. Electro-static sensitive devices warning labels are on the packaging.

**VISHAY SEMICONDUCTORS STANDARD BAR CODE LABELS**

The Vishay Semiconductors standard bar code labels are printed at final packing areas. The labels are on each packing unit and contain Vishay Semiconductors specific data.



Example of JESD22-A112 level 2a label





## **Ozone Depleting Substances Policy Statement**

It is the policy of Vishay Semiconductor GmbH to

1. Meet all present and future national and international statutory requirements.
2. Regularly and continuously improve the performance of our products, processes, distribution and operating systems with respect to their impact on the health and safety of our employees and the public, as well as their impact on the environment.

It is particular concern to control or eliminate releases of those substances into the atmosphere which are known as ozone depleting substances (ODSs).

The Montreal Protocol (1987) and its London Amendments (1990) intend to severely restrict the use of ODSs and forbid their use within the next ten years. Various national and international initiatives are pressing for an earlier ban on these substances.

Vishay Semiconductor GmbH has been able to use its policy of continuous improvements to eliminate the use of ODSs listed in the following documents.

1. Annex A, B and list of transitional substances of the Montreal Protocol and the London Amendments respectively
2. Class I and II ozone depleting substances in the Clean Air Act Amendments of 1990 by the Environmental Protection Agency (EPA) in the USA
3. Council Decision 88/540/EEC and 91/690/EEC Annex A, B and C (transitional substances) respectively.

Vishay Semiconductor GmbH can certify that our semiconductors are not manufactured with ozone depleting substances and do not contain such substances.

We reserve the right to make changes to improve technical design  
and may do so without further notice.

Parameters can vary in different applications. All operating parameters must be validated for each customer application by the customer. Should the buyer use Vishay Semiconductors products for any unintended or unauthorized application, the buyer shall indemnify Vishay Semiconductors against all claims, costs, damages, and expenses, arising out of, directly or indirectly, any claim of personal damage, injury or death associated with such unintended or unauthorized use.

Vishay Semiconductor GmbH, P.O.B. 3535, D-74025 Heilbronn, Germany



## Disclaimer

All product specifications and data are subject to change without notice.

Vishay Intertechnology, Inc., its affiliates, agents, and employees, and all persons acting on its or their behalf (collectively, "Vishay"), disclaim any and all liability for any errors, inaccuracies or incompleteness contained herein or in any other disclosure relating to any product.

Vishay disclaims any and all liability arising out of the use or application of any product described herein or of any information provided herein to the maximum extent permitted by law. The product specifications do not expand or otherwise modify Vishay's terms and conditions of purchase, including but not limited to the warranty expressed therein, which apply to these products.

No license, express or implied, by estoppel or otherwise, to any intellectual property rights is granted by this document or by any conduct of Vishay.

The products shown herein are not designed for use in medical, life-saving, or life-sustaining applications unless otherwise expressly indicated. Customers using or selling Vishay products not expressly indicated for use in such applications do so entirely at their own risk and agree to fully indemnify Vishay for any damages arising or resulting from such use or sale. Please contact authorized Vishay personnel to obtain written terms and conditions regarding products designed for such applications.

Product names and markings noted herein may be trademarks of their respective owners.