

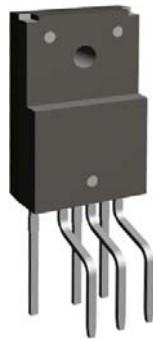
Quasi-Resonant Topology Primary Switching Regulators

Features and Benefits

- Quasi-resonant topology IC \Rightarrow Low EMI noise and soft switching
- Bottom-skip operation \Rightarrow Improved system efficiency over the entire output load by avoiding increase of switching frequency
- Standby burst mode operation \Rightarrow Lowers input power at very light output load condition
- Avalanche-guaranteed MOSFET \Rightarrow Improves system-level reliability and does not require V_{DSS} derating
- 800 V / 1.8 Ω , 52 to 110 W (Universal/230 Vac input)

Continued on the next page...

Package: 6-pin TO-220



Description

The STR-W6765 is a quasi-resonant topology IC designed for SMPS applications. It shows lower EMI noise characteristics than conventional PWM solutions, especially at greater than 2 MHz. It also provides a soft-switching operation to turn on the internal MOSFET at close to zero voltage (V_{DS} bottom point) by use of the resonant characteristic of primary inductance and a resonant capacitor.

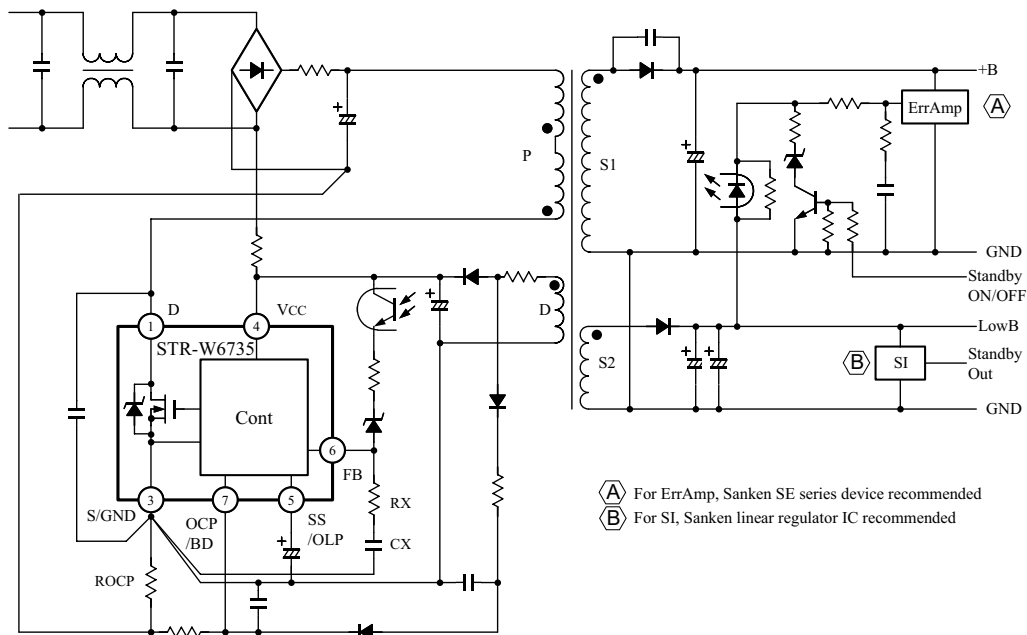
The package is a fully molded TO-220, which contains the controller chip (MIC) and MOSFET, enabling output power up to 52 W with universal input or 110 W with a 230 Vac input. The bottom-skip function skips the first bottom of V_{DS} and turns on the MOSFET at the second bottom point, to minimize an increase of operational frequency at light output load, improving system-level efficiency over the entire load range.

There are two standby functions available to reduce the input power under very light load conditions. The first is an auto-burst mode operation that is internally triggered by periodic sensing, and the other is a manual standby mode, which is executed by clamping the secondary output. In general applications, the manual standby mode reduces the input power further compared to the auto-burst mode.

The soft-start function minimizes surge voltage and reduces power stress to the MOSFET and to the secondary rectifying

Continued on the next page...

Typical Application



Features and Benefits (continued)

- Various protections ⇒ Improved system-level reliability
 - Pulse-by-pulse drain overcurrent limiting
 - Overvoltage protection (bias winding voltage sensing), with latch
 - Overload protection with latch
 - Maximum on-time limit

Description (continued)

diodes during the start-up sequence. Various protections such as overvoltage, overload, overcurrent, maximum on-time protections and avalanche-energy-guaranteed MOSFET secure good system-level reliability.

Applications include the following:

- Set Top Box
- LCD PC monitor, LCD TV
- Printer, Scanner
- SMPS power supplies

Selection Guide

Part Number	Package	Packing
STR-W6765	TO-220	Bulk, 100 pieces

Absolute Maximum Ratings at $T_A = 25^\circ\text{C}$

Parameter	Symbol	Terminal	Conditions	Rating	Unit
Drain Current ¹	I_{Dpeak}	1 - 3	Single pulse	11.2	A
Maximum Switching Current ²	I_{Dmax}	1 - 3	$T_A = -20^\circ\text{C}$ to 125°C	11.2	A
Single Pulse Avalanche Energy ³	E_{AS}	1 - 3	Single pulse, $V_{DD} = 99\text{ V}$, $L = 20\text{ mH}$, $I_{Lpeak} = 5.8\text{ A}$	300	mJ
Input Voltage for Controller (MIC)	V_{CC}	4 - 3		35	V
SS/OLP Terminal Voltage	V_{SSOLP}	5 - 3		-0.5 to 6.0	V
FB Terminal Inflow Current	I_{FB}	6 - 3		10	mA
FB Terminal Voltage	V_{FB}	6 - 3	I_{FB} within the limits of I_{FB}	-0.5 to 9.0	V
OCP/BD Terminal Voltage	V_{OCPBD}	7 - 3		-1.5 to 5.0	V
MOSFET Power Dissipation ⁴	P_{D1}	1 - 3	With infinite heatsink	28.7	W
			Without heatsink	1.3	W
Controller (MIC) Power Dissipation	P_{D2}	4 - 3	$V_{CC} \times I_{CC}$	0.8	W
Operating Internal Leadframe Temperature	T_F	-	Refer to T_{OP}	-20 to 115	$^\circ\text{C}$
Operating Ambient Temperature	T_{OP}	-		-20 to 115	$^\circ\text{C}$
Storage Temperature	T_{stg}	-		-40 to 125	$^\circ\text{C}$
Junction Temperature	T_J	-		150	$^\circ\text{C}$

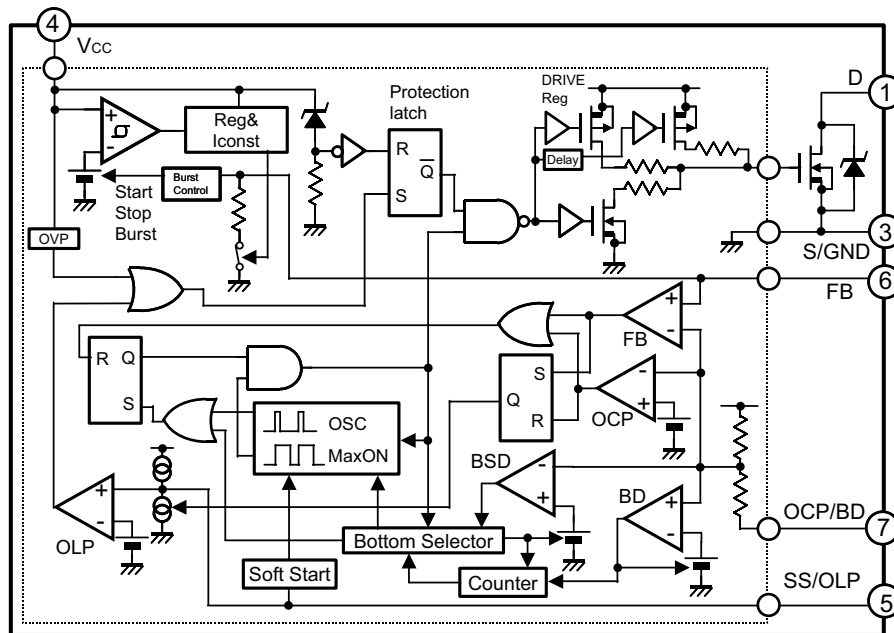
¹Refer to figure 2

² I_{DMAX} is the drain current determined by the drive voltage of the IC and the threshold voltage, V_{th} , of the MOSFET

³Refer to figure 3

⁴Refer to figure 5

All performance characteristics given are typical values for circuit or system baseline design only and are at the nominal operating voltage and an ambient temperature of $+25^\circ\text{C}$, unless otherwise stated.



Number	Name	Description	Functions
1	D	Drain	MOSFET drain
2	NC	Clipped	No connection
3	S/GND	Source/ground terminal	MOSFET source and ground
4	VCC	Power supply terminal	Input of power supply for control circuit
5	SS/OLP	Soft Start/Overload Protection terminal	Input to set delay for Overload Protection and Soft Start operation
6	FB	Feedback terminal	Input for Constant Voltage Control and Burst (intermittent) Mode oscillation control signals
7	OCP/BD	Overcurrent Protection/Bottom Detection	Input for overcurrent detection and bottom detection signals

Figure 1 – MOSFET Safe Operating Area Derating Curve

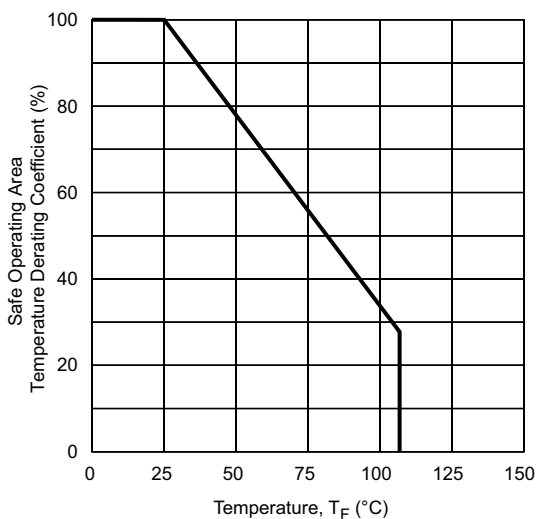


Figure 2 – MOSFET Safe Operating Area Drain Current versus Voltage at T_A = 25°C, Single Pulse

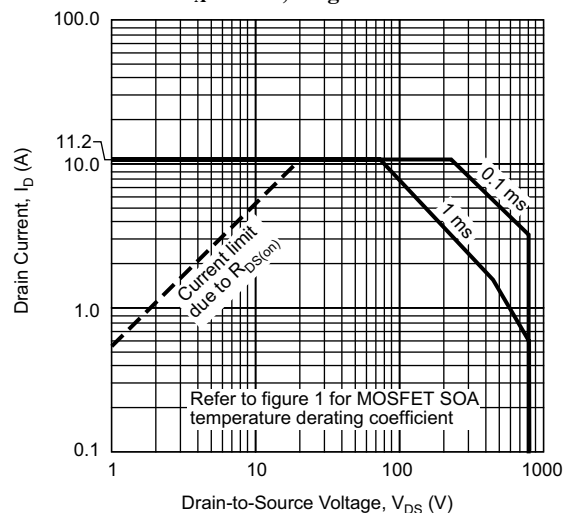


Figure 3 – MOSFET Avalanche Energy Derating Curve

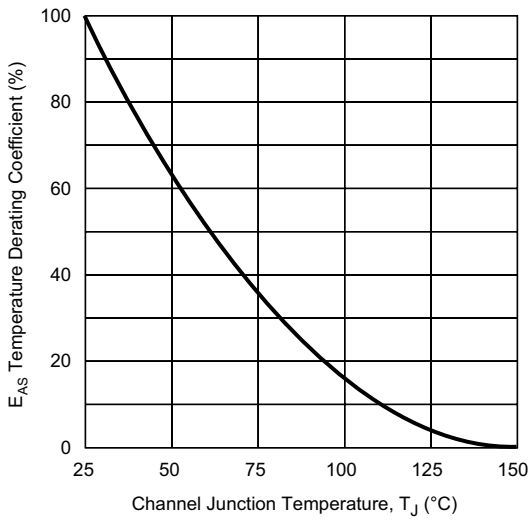


Figure 4 – Transient Thermal Resistance

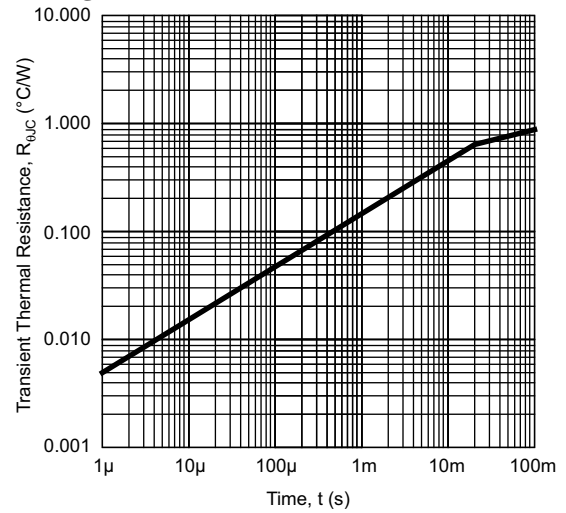
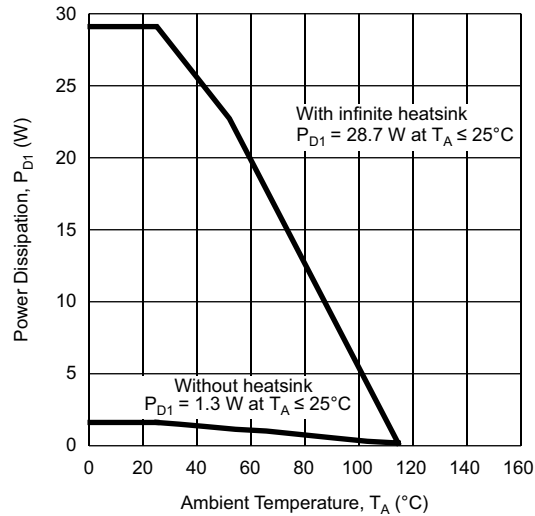


Figure 5 – MOSFET Power Dissipation versus Temperature



ELECTRICAL CHARACTERISTICS

Characteristic	Symbol	Terminals	Min.	Typ.	Max.	Units
ELECTRICAL CHARACTERISTICS for Controller (MIC)¹, valid at T_A = 25°C, V_{CC} = 20 V, unless otherwise specified						
Power Supply Start-up Operation						
Operation Start Voltage	V _{CC(ON)}	4 - 3	16.3	18.2	19.9	V
Operation Stop Voltage	V _{CC(OFF)}	4 - 3	8.8	9.7	10.6	V
Circuit Current In Operation	I _{CC(ON)}	4 - 3	–	–	6	mA
Circuit Current In Non-Operation	I _{CC(OFF)}	4 - 3	–	–	100	μA
Oscillation Frequency	f _{osc}	1 - 3	19	22	25	kHz
Soft Start Operation Stop Voltage	V _{SSOLP(SS)}	5 - 3	1.1	1.2	1.4	V
Soft Start Operation Charging Current	I _{SSOLP(SS)}	5 - 3	–710	–550	–390	μA
Normal Operation						
Bottom-Skip Operation Threshold Voltage 1	V _{OCPBD(BS1)}	7 - 3	–0.720	–0.665	–0.605	V
Bottom-Skip Operation Threshold Voltage 2	V _{OCPBD(BS2)}	7 - 3	–0.485	–0.435	–0.385	V
Overcurrent Detection Threshold Voltage	V _{OCPBD(LIM)}	7 - 3	–0.995	–0.940	–0.895	V
OCP/BDOCP/BD Terminal Outflow Current	I _{OCPBD}	7 - 3	–250	–100	–40	μA
Quasi-Resonant Operation Threshold Voltage 1	V _{OCPBD(TH1)}	7 - 3	0.28	0.40	0.52	V
Quasi-Resonant Operation Threshold Voltage 2	V _{OCPBD(TH2)}	7 - 3	0.67	0.80	0.93	V
FB Terminal Threshold Voltage	V _{FB(OFF)}	6 - 3	1.32	1.45	1.58	V
FB Terminal Inflow Current (Normal Operation)	I _{FB(ON)}	6 - 3	600	1000	1400	μA
Standby Operation						
Standby Operation Start Voltage	V _{CC(S)}	4 - 3	10.3	11.1	12.1	V
Standby Operation Start Voltage Interval	V _{CC(SK)}	4 - 3	1.10	1.35	1.65	V
Standby Non-Operation Circuit Current	I _{CC(S)}	4 - 3	–	20	56	μA
FB Terminal Inflow Current, Standby Operation	I _{FB(S)}	6 - 3	–	4	14	μA
FB Terminal Threshold Voltage, Standby Operation	V _{FB(S)}	6 - 3	0.55	1.10	1.50	V
Minimum On Time	t _{ON(MIN)}	1 - 3	0.40	0.82	1.25	μs
Maximum On Time	t _{ON(MAX)}	1 - 3	27.5	32.5	39.0	μs
Protection Operation						
Overload Protection Operation Threshold Voltage	V _{SSOLP(OLP)}	5 - 3	4.0	4.9	5.8	V
Overload Protection Operation Charging Current	I _{SSOLP(OLP)}	5 - 3	–16	–11	–6	μA
Overvoltage Protection Operation Voltage	V _{CC(OVP)}	4 - 3	25.5	27.7	29.9	V
Latch Circuit Holding Current ²	I _{CC(H)}	4 - 3	–	45	140	μA
Latch Circuit Release Voltage ²	V _{CC(La.OFF)}	4 - 3	6.0	7.2	8.5	V
ELECTRICAL CHARACTERISTICS for MOSFET, valid at T_A = 25°C, unless otherwise specified						
Drain-to-Source Breakdown Voltage	V _{DSS}	1 - 3	800	–	–	V
Drain Leakage Current	I _{DSS}	1 - 3	–	–	300	μA
On Resistance	R _{DS(on)}	1 - 3	–	–	1.8	Ω
Switching Time	t _f	1 - 3	–	–	400	ns
Thermal Resistance	R _{θJA}	Junction to Internal Frame	–	–	1.55	°C/W

¹Current polarity with respect to the IC: positive current indicates current sink at the terminal named, negative current indicates source at the terminal named.

²Latch circuit refers to operation during Overload Protection or Overvoltage Protection.

ELECTRICAL CHARACTERISTICS Test Conditions*

Parameter	Test Conditions	V _{CC} (V)	Measurement Circuit
Operation Start Voltage	V _{CC} voltage at which oscillation starts.	0→20	1
Operation Stop Voltage	V _{CC} voltage at which oscillation stops.	20→8.8	
Circuit Current In Operation	Inflow current flowing into power supply terminal in oscillation.	20	
Circuit Current In Non-operation	Inflow current flowing into power supply terminal prior to oscillation.	15	
Oscillation Frequency	Oscillating frequency ($f_{osc} = 1 / T$).	20	5
Soft Start Operation Stop Voltage	SS/OLP terminal voltage at which ISS/OLP reach $\geq -100 \mu\text{A}$ by raising the SS/OLP terminal voltage from 0 V gradually.	20	
Soft Start Operation Charging Current	SS/OLP terminal charging current (SS/OLP terminal voltage = 0 V).		3
Bottom-Skip Operation Threshold Voltage 1	Input 1 μs pulse width, as shown in waveform 1, to OCP/BD terminal twice after V ₁₋₃ rises. After that, offset the input waveform gradually from 0 V in the minus direction. Measurement of the offset voltage V _{OCPBD(BS1)} is taken when the V ₁₋₃ start-to-fall point switches from two-pulses-after to one-pulse-after.	20	
Bottom-Skip Operation Threshold Voltage 2	After measuring V _{OCPBD(BS1)} , as shown in waveform 2, offset the input waveform gradually. Measurement of the offset voltage V _{OCPBD(BS2)} is taken when the V ₁₋₃ start-to-fall point switches from two-pulses-after to one-pulse-after.		
Overcurrent Detection Threshold Voltage	OCP/BD terminal voltage at which oscillation stops by lowering the OCP/BD terminal voltage from 0 V gradually.	20	2
OCP/BDOCP/BD Terminal Outflow Current	OCP/BD terminal outflow current (OCP/BD terminal voltage = -0.95 V).		
Quasi-Resonant Operation Threshold Voltage 1	OCP/BD terminal voltage at which oscillation starts with setting the OCP/BD terminal voltage at 1 V, and then lowering the voltage gradually.		
Quasi-Resonant Operation Threshold Voltage 2	OCP/BD terminal voltage at which oscillation stops by raising the OCP/BD terminal voltage from 0 V gradually.		4
FB Terminal Threshold Voltage	FB terminal voltage at which oscillation stops by raising the FB terminal voltage from 0 V gradually.	20	
FB Terminal Inflow Current (Normal Operation)	FB terminal inflow current (FB terminal voltage = 1.6 V).	20	
Standby Operation Start Voltage	V _{CC} voltage at which I _{CC} reaches $\geq 1 \text{ mA}$ (FB terminal voltage = 1.6 V).	0→15	
Standby Operation Start Voltage Interval	Specified by $V_{CC(SK)} = V_{CC(S)} - V_{CC(OFF)}$.	-	4
Standby Non-Operation Circuit Current	Inflow current flowing into power supply terminals prior to oscillation (FB terminal voltage = 1.6 V).	10.2	
FB Terminal Inflow Current, Standby Operation	FB terminal inflow current (FB terminal voltage = 1.6 V).	10.2	
FB Terminal Threshold Voltage Standby Operation	FB terminal voltage at which oscillation starts by raising the FB terminal voltage from 0 V gradually.	15	
Minimum On Time	Waveform between terminals 1 and 3 at low.	20	6
Maximum On Time	Waveform between terminals 1 and 3 at low.	20	1

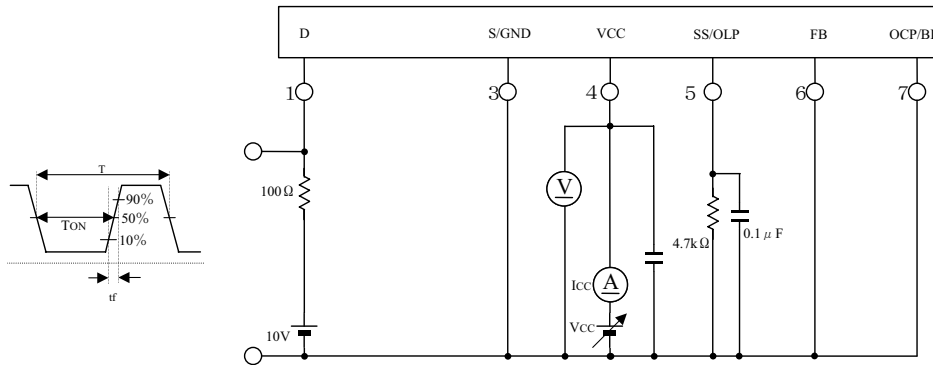
Continued on the next page...

ELECTRICAL CHARACTERISTICS Test Conditions*, continued

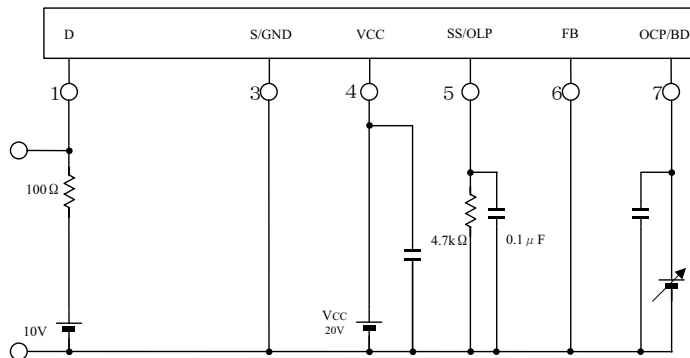
Parameter	Test Conditions	V _{CC} (V)	Measurement Circuit
Overload Protection Operation Threshold Voltage	SS/OLP terminal voltage at which oscillation stops.	20	5
Overload Protection Operation Charging Current	SS/OLP terminal charging current (SS/OLP terminal voltage = 2.5 V).	–	
Overvoltage Protection Operation Voltage	V _{CC} voltage at which oscillation stops.	0→30	1
Latch Circuit Holding Current	Inflow current at V _{CC(OFF)} – 0.3; after OVP operation.	V _{CC(OFF)} – 0.3	
Latch Circuit Release Voltage	V _{CC} voltage at which I _{CC} reaches 20 μA or lower by decreasing V _{CC} after OVP operation.	30→6	
Drain-to-Source Breakdown Voltage	I _{DSS} = 300 μA	–	7
Drain Leakage Current	V _{DSS} = 800 V	–	
Single Pulse Avalanche Energy	–	30	8
On-Resistance	I _{DS} = 1.4 A	20	9
Switching Time	–	20	1

*Oscillating operation is specified with a rectangular waveform between terminals 1 and 3.

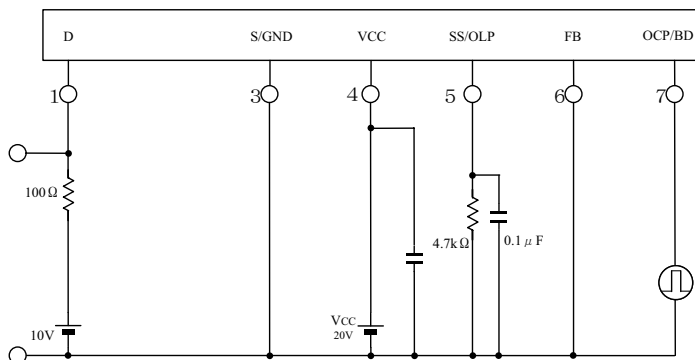
Measurement Circuit 1



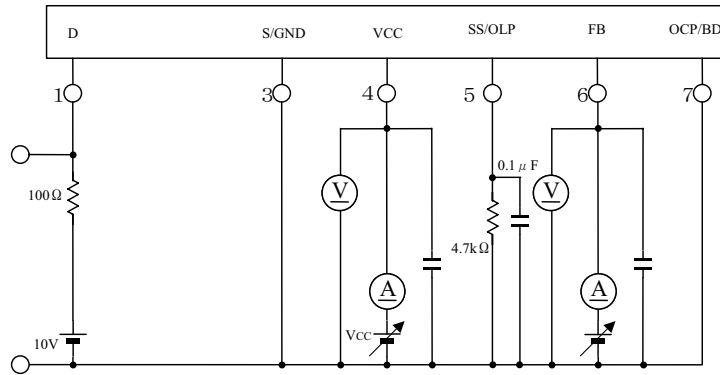
Measurement Circuit 2



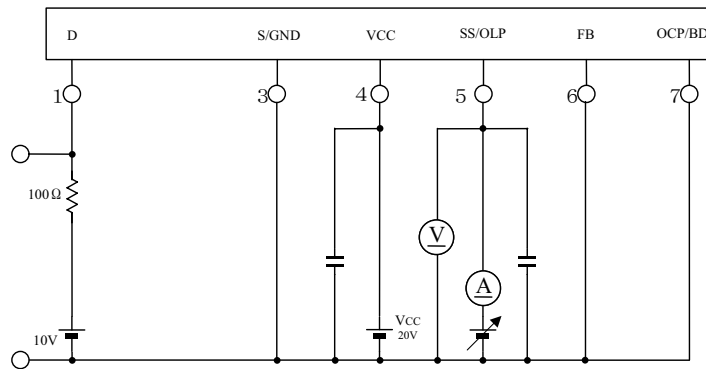
Measurement Circuit 3



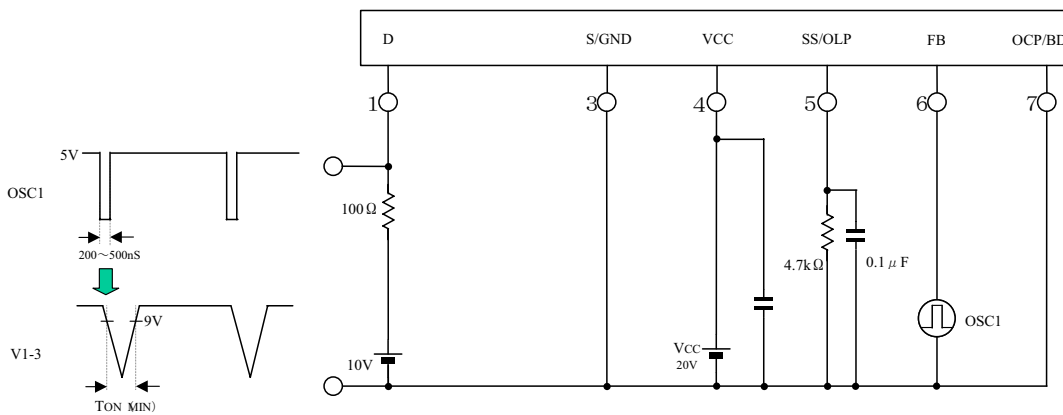
Measurement Circuit 4



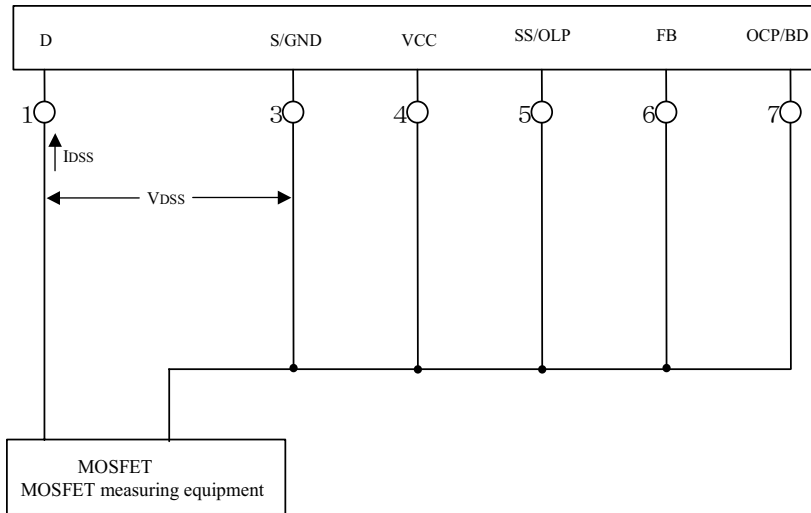
Measurement Circuit 5



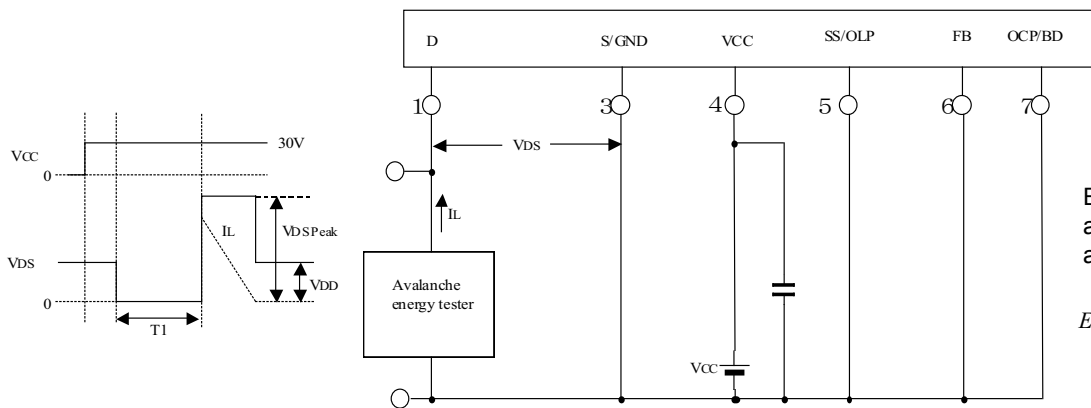
Measurement Circuit 6



Measurement Circuit 7



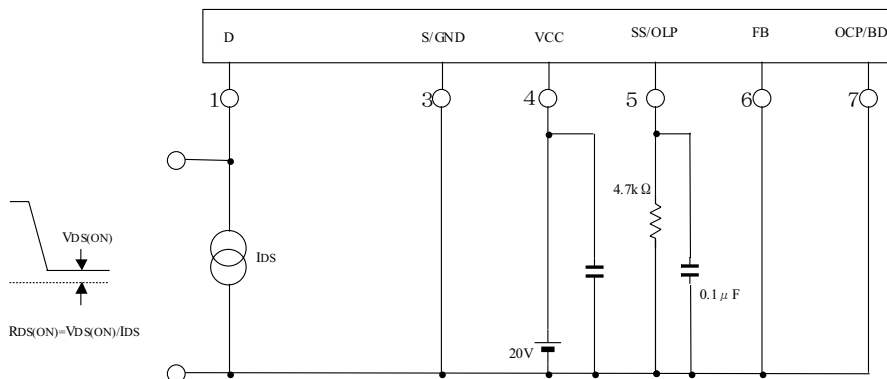
Measurement Circuit 8



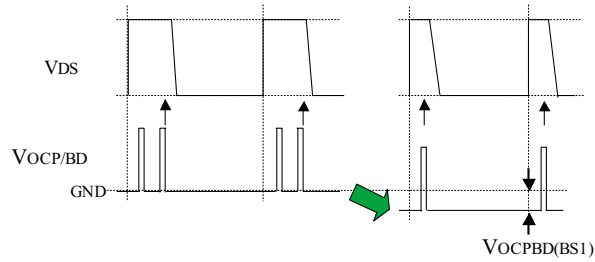
Equation for calculation of avalanche energy, E_{AS} ; to be adjusted for $I_{LPeak} = 5.8\text{ A}$

$$E_{AS} = \frac{1}{2} \cdot L \cdot (I_{LPeak})^2 \cdot \frac{V_{DSPeak}}{V_{DSPeak} - V_{DD}}$$

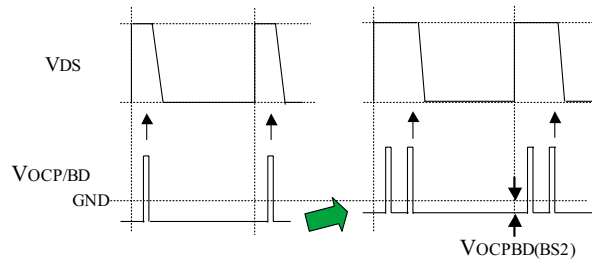
Measurement Circuit 9



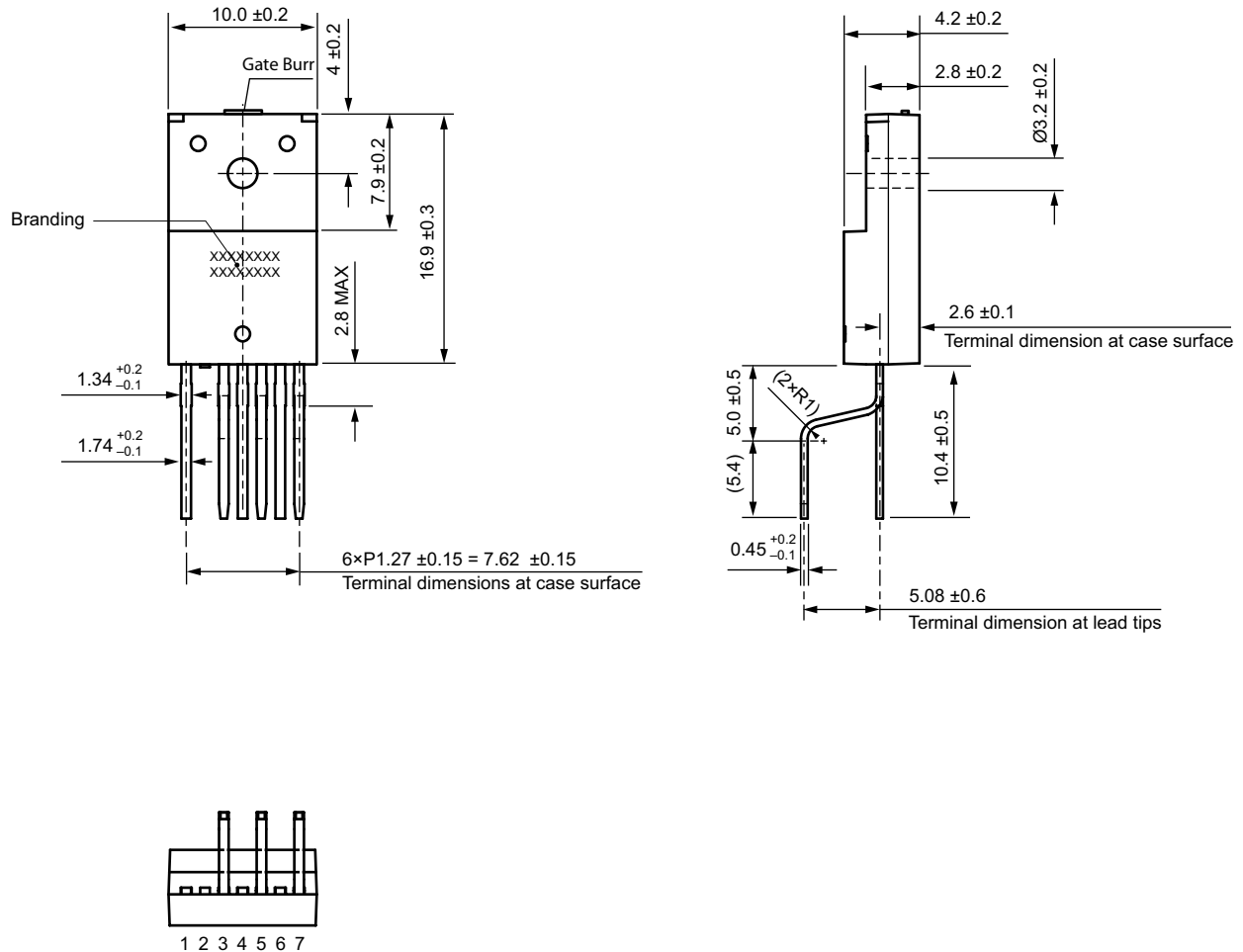
Waveform 1



Waveform 2



PACKAGE DIMENSIONS, TO-220



Gate burr: 0.3 mm (max.)
 Terminal core material: Cu
 Terminal treatment: Ni plating and solder dip
 Heat sink material: Cu
 Heat sink treatment: Ni plating
 Leadform: 2003
 Weight (approximate): 2.3 g

Dimensions in millimeters

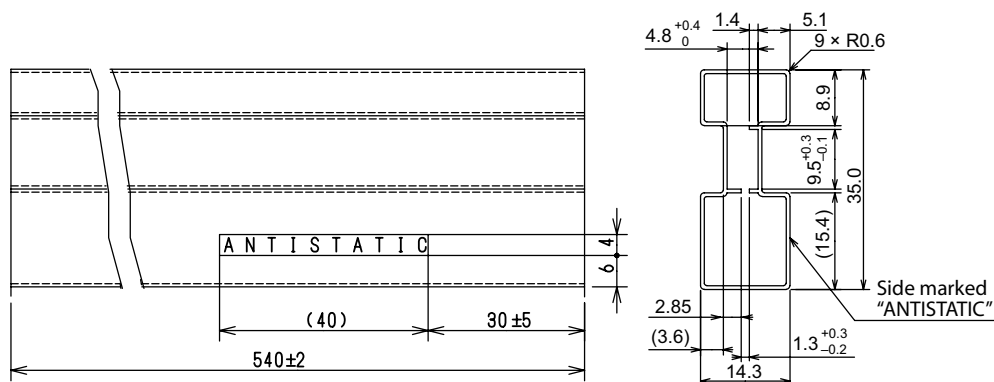
Drawing for reference only
 Branding codes (exact appearance at manufacturer discretion):
 1st line, type: W6765
 2nd line, lot: YMDD R
 Where: Y is the last digit of the year of manufacture
 M is the month (1 to 9, O, N, D)
 DD is the 2-digit date
 R is the manufacturer registration symbol

STR-W6765

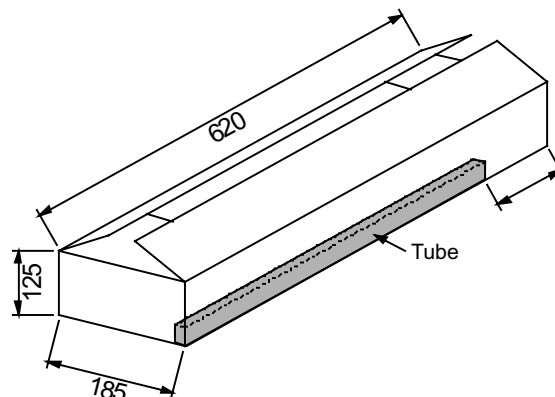
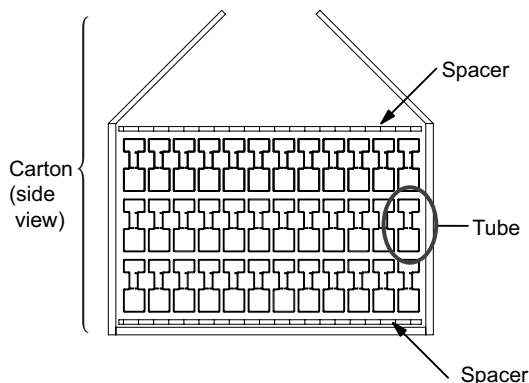
Quasi-Resonant Topology Primary Switching Regulators

PACKING SPECIFICATIONS Minimum packing option: Tube FM-205 E

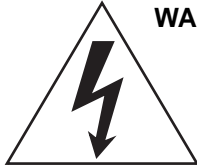
Shipping Tube Dimensions:
 Wall thickness: 0.6 ± 0.3 mm
 Wall warp: < 2 mm
 Material: Hardened polyvinyl
 Coating: antistatic
 Tolerance ± 0.4 mm,
 unless otherwise specified



Shipping Carton Dimensions:
 Capacity: 1800 pieces maximum per carton
 36 tubes per carton
 3 rows, 12 tubes per row



All dimensions: mm



WARNING — These devices are designed to be operated at lethal voltages and energy levels. Circuit designs that embody these components must conform with applicable safety requirements. Precautions must be taken to prevent accidental contact with power-line potentials. Do not connect grounded test equipment.

The use of an isolation transformer is recommended during circuit development and breadboarding.

Because reliability can be affected adversely by improper storage environments and handling methods, please observe the following cautions.

Cautions for Storage

- Ensure that storage conditions comply with the standard temperature (5°C to 35°C) and the standard relative humidity (around 40 to 75%); avoid storage locations that experience extreme changes in temperature or humidity.
- Avoid locations where dust or harmful gases are present and avoid direct sunlight.
- Reinspect for rust in leads and solderability of products that have been stored for a long time.

Cautions for Testing and Handling

When tests are carried out during inspection testing and other standard test periods, protect the products from power surges from the testing device, shorts between adjacent products, and shorts to the heatsink.

Remarks About Using Silicone Grease with a Heatsink

- When silicone grease is used in mounting this product on a heatsink, it shall be applied evenly and thinly. If more silicone grease than required is applied, it may produce stress.
- Volatile-type silicone greases may produce cracks after long periods of time, resulting in reduced heat radiation effect. Silicone grease with low consistency (hard grease) may cause cracks in the mold resin when screwing the product to a heatsink.
- Our recommended silicone greases for heat radiation purposes, which will not cause any adverse effect on the product life, are indicated below:

Type	Suppliers
G746	Shin-Etsu Chemical Co., Ltd.
YG6260	GE Toshiba Silicone Co., Ltd.
SC102	Dow Corning Toray Silicone Co., Ltd.

Soldering

- When soldering the products, please be sure to minimize the working time, within the following limits:
260±5°C 10 s
350±5°C 3 s
- Soldering iron should be at a distance of at least 1.5 mm from the body of the products

Electrostatic Discharge

- When handling the products, operator must be grounded. Grounded wrist straps worn should have at least 1 MΩ of resistance to ground to prevent shock hazard.
- Workbenches where the products are handled should be grounded and be provided with conductive table and floor mats.
- When using measuring equipment such as a curve tracer, the equipment should be grounded.
- When soldering the products, the head of soldering irons or the solder bath must be grounded in order to prevent leak voltages generated by them from being applied to the products.
- The products should always be stored and transported in our shipping containers or conductive containers, or be wrapped in aluminum foil.

Assembly

- During soldering or other operations, the interior frame temperature of the device should never exceed 105°C.
- Recommended screw torque through the mounting tab is 0.588 to 0.785 N • m (6 to 8 kgf • cm)

The products described herein are manufactured in Japan by Sanken Electric Co., Ltd. for sale by Allegro MicroSystems, Inc.

Sanken and Allegro reserve the right to make, from time to time, such departures from the detail specifications as may be required to permit improvements in the performance, reliability, or manufacturability of its products. Therefore, the user is cautioned to verify that the information in this publication is current before placing any order.

When using the products described herein, the applicability and suitability of such products for the intended purpose shall be reviewed at the users responsibility.

Although Sanken undertakes to enhance the quality and reliability of its products, the occurrence of failure and defect of semiconductor products at a certain rate is inevitable.

Users of Sanken products are requested to take, at their own risk, preventative measures including safety design of the equipment or systems against any possible injury, death, fires or damages to society due to device failure or malfunction.

Sanken products listed in this publication are designed and intended for use as components in general-purpose electronic equipment or apparatus (home appliances, office equipment, telecommunication equipment, measuring equipment, etc.). Their use in any application requiring radiation hardness assurance (e.g., aerospace equipment) is not supported.

When considering the use of Sanken products in applications where higher reliability is required (transportation equipment and its control systems or equipment, fire- or burglar-alarm systems, various safety devices, etc.), contact a company sales representative to discuss and obtain written confirmation of your specifications.

The use of Sanken products without the written consent of Sanken in applications where extremely high reliability is required (aerospace equipment, nuclear power-control stations, life-support systems, etc.) is strictly prohibited.

The information included herein is believed to be accurate and reliable. Application and operation examples described in this publication are given for reference only and Sanken and Allegro assume no responsibility for any infringement of industrial property rights, intellectual property rights, or any other rights of Sanken or Allegro or any third party that may result from its use.

Copyright © 2006 Allegro MicroSystems, Inc.

This datasheet is based on Sanken datasheet SSE-22774

