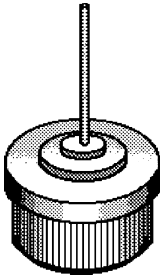
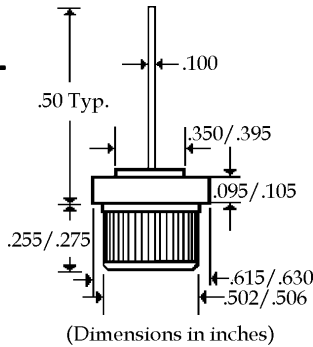


50 Amp Press Fit Avalanche **AUTOMOTIVE** RECTIFIERS Mechanical Dimensions

Description



PFR5028 = +
PFR5028A = -



PFR5028

Features

- **INEXPENSIVE**
- **HIGH POWER CAPACITY**
- **AVALANCHE VOLTAGE 24 TO 32 VOLTS**

PFR5028

Maximum Ratings	Symbol	Value	Units
Peak Repetitive Reverse Voltage	V_{RRM}	20	Volts
Working Peak Reverse Voltage	V_{RWM}	20	Volts
DC Blocking Voltage	V_{DC}	20	Volts
Average Forward Rectified Current Single Phase, Resistive Load, 60 Hz, $T_C = 150^\circ\text{C}$	$I_{F(av)}$	50	Amps
Non-Repetitive Peak Forward Surge Current Surge Supplied @ Rated Load Conditions, 1/2 Wave, Single Phase	I_{FSM}	600	Amps
Repetitive Peak Reverse Surge Current Time Constant = 10ms, Duty Cycle = 1%, $T_C = 25^\circ\text{C}$	I_{RSM}	150	Amps
Typical Thermal Resistance, Junction to Case... $R_{\theta JC}$	$R_{\theta JC}$	0.8	$^\circ\text{C} / \text{W}$
Mounting		Press Fit	

Electrical Characteristics	Min.	Max.	Units
Instantaneous Forward Voltage ($I_F = 100$ Amps, $T_C = 25^\circ\text{C}$)... V_F	N/A	1.1	Volts
Instantaneous Reverse Current ($V_R = 20$ V_{DC} , $T_C = 25^\circ\text{C}$)... I_R	N/A	2.0	μAmps
Breakdown Voltage ($I_R = 100$ mAmps, $T_C = 25^\circ\text{C}$)... V_{BR}	24	32	Volts
Clamping Voltage ($I_R = 90$ Amps, $T_C = 150^\circ\text{C}$, $PW = 80\mu\text{s}$)... V_{BR}	N/A	40	Volts
Typical Breakdown Voltage Temperature Coefficient... $V_{BR} T_C$	N/A	0.096	% / $^\circ\text{C}$
Typical Forward Voltage Temperature Coefficient... $V_{F(tc)}$	N/A	2	mV / $^\circ\text{C}$
Operating Junction & Storage Temperature Range... T_J, T_{STRG}	-50	195	$^\circ\text{C}$