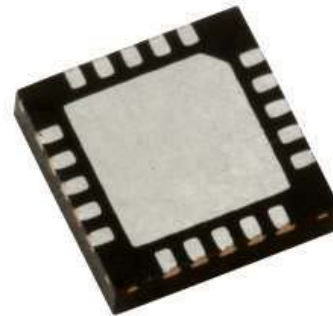


## SP4T Absorptive RF Switch

### Features

- High Isolation Of > 40 dB @ 2 GHz
- Low Insertion Loss Of 1.5dB @ 1 GHz
- DC To 2.5 GHz Operating Frequency
- Integrated CMOS Control Logic
- Integrated ESD Protection on Digital I/O
- Single Positive Supply Voltage
- Ultra Small LPCC™ Packaging
- Impedance matched for 50 Ohm systems



HRF-SW1020 in LPCC™ Package

### Product Description

The Honeywell HRF-SW1020 is a high performance single pole four throw (SP4T) absorptive RF switch that is ideal for use in wireless basestation and handset applications that require minimum power and minimum insertion loss.

The HRF-SW1020 is manufactured with Honeywell's patented Silicon On Insulator (SOI) CMOS technology, which provides the performance of GaAs with the economy and integration capabilities of conventional CMOS technology.

### RF Electrical Specifications @ + 25°C

Results @ Vdd=5.0 +/- 10%, Vss = 0 unless otherwise stated, Z0= 50 ohms

Parameter	Test Condition	Frequency	Minimum	Typical	Maximum	Units
Insertion Loss*		DC - 1.0 GHz		1.4	1.9	dB
		2.0 GHz		1.5	2.1	dB
		2.5 GHz		2.6	3.3	dB
Isolation*		DC - 1.0 GHz	41	54		dB
		2.0 GHz	36	44		dB
		2.5 GHz	33	40		dB
VSWR*		DC - 0.5 GHz		1.2:1		Ratio
		0.5 - 1.5 GHz		1.6:1		Ratio
		1.5 - 2.5 GHz		2.0:1	2.5:1	Ratio
1dB Compression*	Input Power Vss = Gnd Vss = -3	1.0 GHz		19		dBm
		1.0 GHz		28		dBm
Input IP3*	Two-Tone Inputs Up To + 5 dBm Vss = Gnd Vss = -3	2.0 GHz		31		dBm
		2.0 GHz		32		dBm
Trise, Tfall* Ton, Toff Transients	10% To 90%			10		nS
	50% Cntl To 90%/10%Rf			20		nS
	In-Band			10		mV

\*Guaranteed by design

## DC Electrical Specifications @ + 25°C

Parameter	Minimum	Typical	Maximum	Units
Single V <sub>DD</sub> Supply Voltage	3.3*	5.0	5.5	V
V <sub>SS</sub>			-5.0	V
I <sub>dd</sub>		.07	10	µA
CMOS Logic Level (0)	0		0.8	V
CMOS Logic Level (1)	V <sub>DD</sub> - 0.8		V <sub>DD</sub>	V
Input Leakage Current			10	µA

## Absolute Maximum Ratings<sup>1</sup>

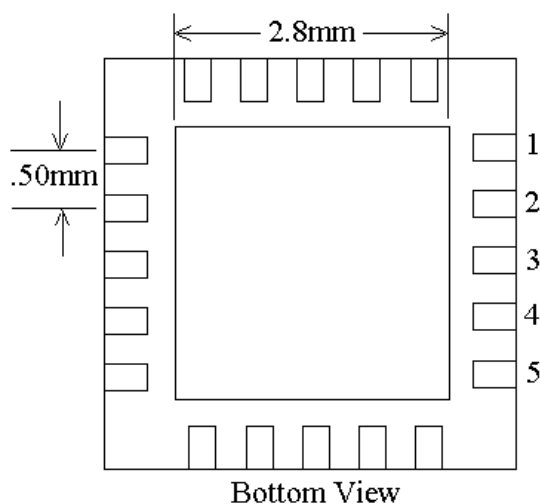
Parameter	Absolute Maximum	Units
V <sub>DD</sub>	+6.0	V
V <sub>SS</sub>	-5.5	V
V <sub>in</sub> Digital Logic 0	-0.6	V
V <sub>in</sub> Digital Logic 1	V <sub>DD</sub> + 0.6	V
Maximum Input Power	> 35	dBm
ESD Voltage	400	V
Operating Temperature Range	+85	Degrees C
Storage Temperature Range	+125	Degrees C

(Note 1) Operation beyond any of these parameters may cause permanent damage.

**Latch-Up:** Unlike conventional CMOS RF switches, Honeywell's HRF-SW1020 is immune to latch-up.

**ESD Protection:** Although this device contains ESD protection circuitry on all digital inputs, conventional precautions should be taken

## Package Outline Drawing



Bottom View, 20 Pin 4X4 mm LPCC™ Package  
 ASAT LPCC Marketing Outline Dwg. # GMJ00004  
 For more information see <http://www.asat.com>

## Truth Table

C1	C0	RF Output 1	RF Output 2	RF Output 3	RF Output 4
0	0	RFINPUT			
0	1		RFINPUT		
1	0			RFINPUT	
1	1				RFINPUT

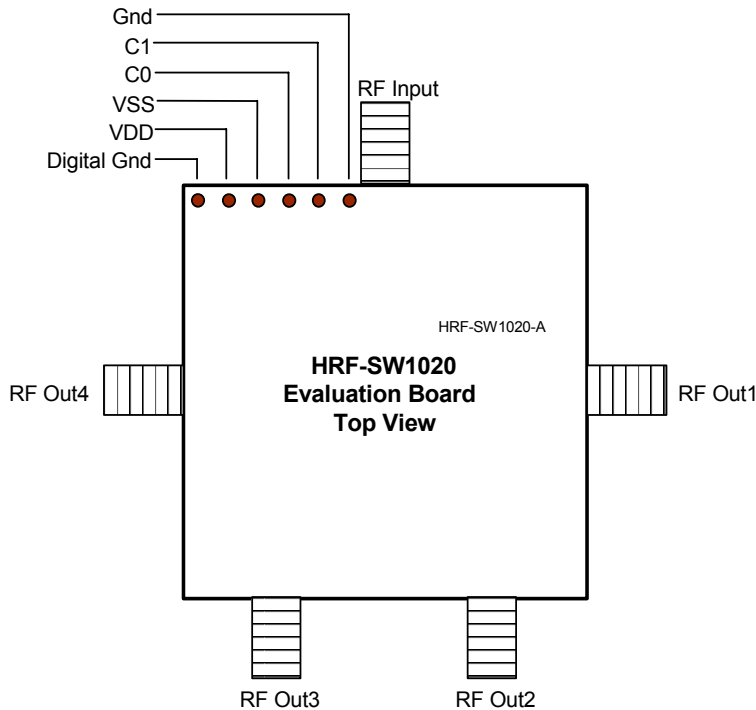
"0" = CMOS Low, "1" = CMOS High

## Pin Configuration

Pin	Function	Pin	Function
1	GROUND	11	C1
2	RFOUTPUT4	12	C0
3	GROUND	13	GROUND
4	VDD	14	RFOUTPUT1
5	DIGITAL GROUND	15	GROUND
6	RFOUTPUT3	16	GROUND
7	GROUND	17	GROUND
8	GROUND	18	RFINPUT
9	GROUND	19	GROUND
10	RFOUTPUT2	20	VSS

Note: Bottom ground plate must be grounded for proper RF performance.

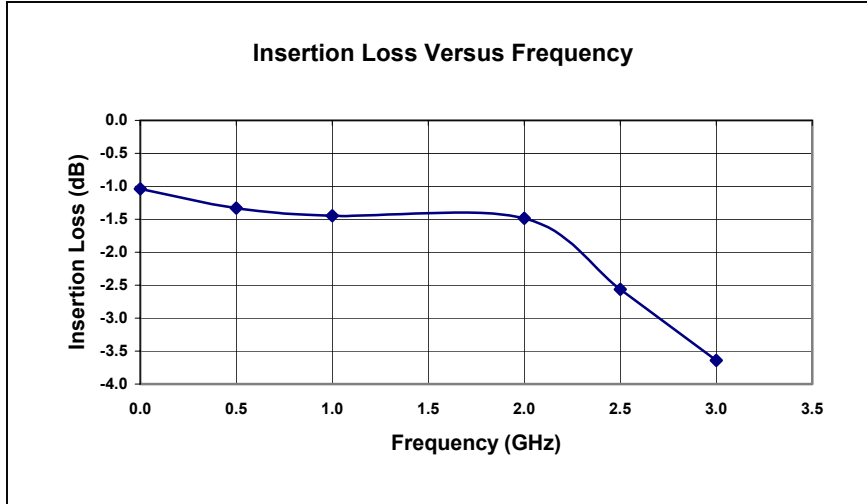
## Evaluation Circuit Board Connections



"0" = CMOS Low, "1" = CMOS

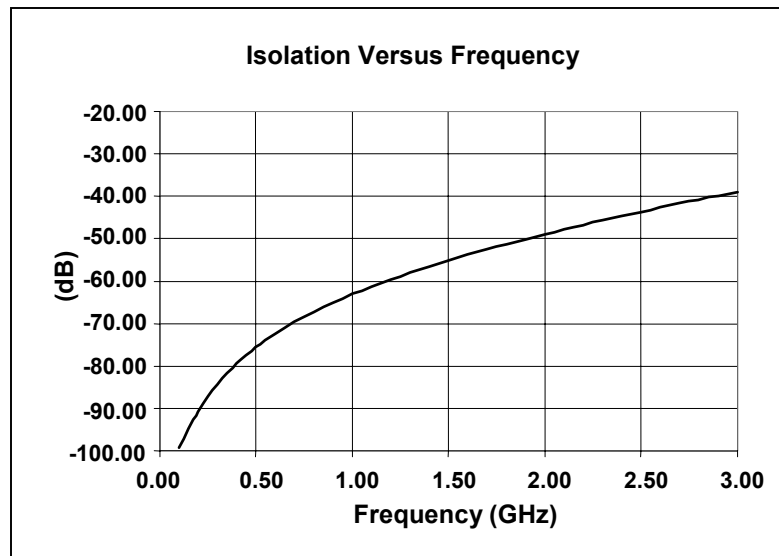
## Performance Curves

### Insertion Loss



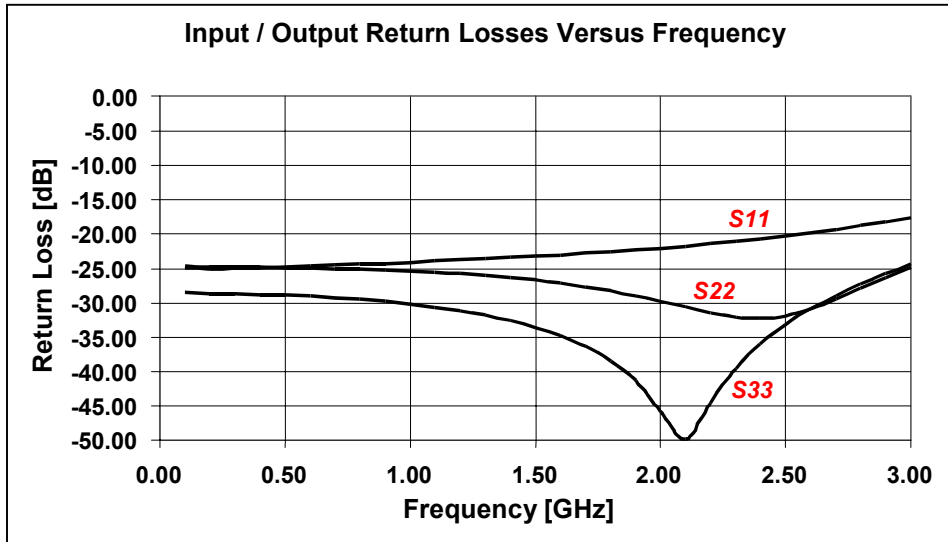
The Insertion Loss curve shows the typical loss versus frequency at  $V_{dd} = +5.0 \pm 10\%$ ,  $T_a = 25^\circ\text{C}$ ,  $Z_0 = 50 \text{ Ohms}$ .

### Isolation



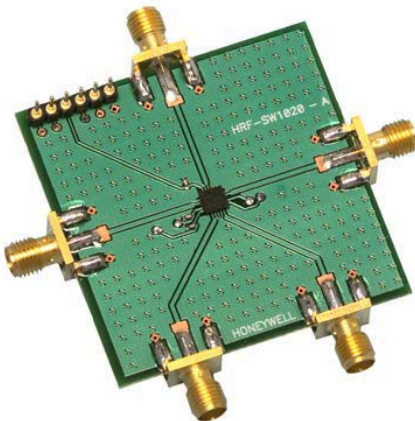
The Isolation curve shows the typical isolation of an "off" state output to the insertion path.

## Return Loss



The return loss curve shows the input return loss S11, the output return loss in the insertion path S22, and the output return loss in the isolation state S33.

## Evaluation Circuit Board



HRF-SW1020 Evaluation Board

Honeywell's evaluation board provides an easy to use method of evaluating the RF performance of our switch. Simply connect power, DC and RF signals to be measuring switch performance in less than 10 minutes.

## Evaluation Circuit Board Layout Design Details

Item	Description
PCB	Impedance Matched Multi-Layer FR4
Switch	HRF-SW1020 RF Switch
Chip Capacitor	Panasonic Model ECU-E1C103KBQ Capacitor, .01uf 0402 10% 16V
RF Connector	Johnson Connectors Model 142-0701-801 SMA RF Coaxial Connector
DC Pin	Mil-Max Model 800-10-064-10-001 Header Pins

## Ordering Information

Ordering Number	Product
HRF-SW1020-B	Delivered In Chip Tubes
HRF-SW1020-TR	Delivered On Tape And Reel <sup>2</sup>
HRF-SW1020-E	Engineering Evaluation Board

(Note 2) Contact Honeywell for details

LPCC™ is a registered Trademark of ASAT Ltd.

Honeywell reserves the right to make changes to improve reliability, function or design. Honeywell does not assume any liability arising out of the application or use of any product or circuit described herein; neither does it convey any license under its patent rights nor the rights of others.