



Low-Cost, SOT23, Voltage-Output, High-Side Current-Sense Amplifier

MAX4173T/F/H

General Description

The MAX4173 low-cost, precision, high-side current-sense amplifier is available in a tiny SOT23-6 package. It features a voltage output that eliminates the need for gain-setting resistors and it is ideal for today's notebook computers, cell phones, and other systems where current monitoring is critical. High-side current monitoring is especially useful in battery-powered systems, since it does not interfere with the ground path of the battery charger. The input common-mode range of 0 to +28V is independent of the supply voltage and ensures that the current-sense feedback remains viable even when connected to a battery in deep discharge. The MAX4173's wide 1.7MHz bandwidth makes it suitable for use inside battery charger control loops.

The combination of three gain versions and a user-selectable external sense resistor sets the full-scale current reading. This feature offers a high level of integration, resulting in a simple and compact current-sense solution.

The MAX4173 operates from a single +3V to +28V supply, typically draws only 420 μ A of supply current over the extended operating temperature range (-40°C to +85°C), and is offered in the space-saving SOT23-6 package.

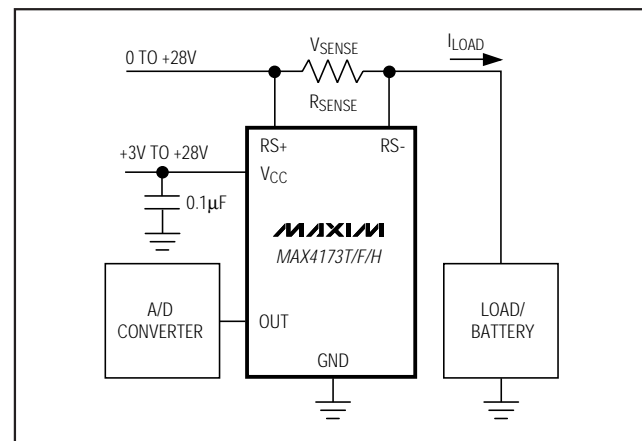
Applications

- Notebook Computers
- Portable/Battery-Powered Systems
- Smart Battery Packs/Chargers
- Cell Phones
- Power-Management Systems
- General System/Board-Level Current Monitoring
- PA Bias Control
- Precision Current Sources

Features

- ◆ **Low-Cost, Compact Current-Sense Solution**
- ◆ **Wide 0 to +28V Common-Mode Range Independent of Supply Voltage**
- ◆ **Three Gain Versions Available**
 - +20V/V (MAX4173T)**
 - +50V/V (MAX4173F)**
 - +100V/V (MAX4173H)**
- ◆ **$\pm 0.5\%$ Full-Scale Accuracy**
- ◆ **420 μ A Supply Current**
- ◆ **Wide 1.7MHz Bandwidth (MAX4173T)**
- ◆ **+3V to +28V Operating Supply**
- ◆ **Available in Space-Saving SOT23-6 Package**

Typical Operating Circuit



Ordering Information

| PART | GAIN (V/V) | TEMP. RANGE | PIN-PACKAGE | SOT TOP MARK |
|---------------|------------|----------------|-------------|--------------|
| MAX4173TEUT-T | 20 | -40°C to +85°C | 6 SOT23-6 | AABN |
| MAX4173TESA | 20 | -40°C to +85°C | 8 SO | - |
| MAX4173FEUT-T | 50 | -40°C to +85°C | 6 SOT23-6 | AABD |
| MAX4173FESA | 50 | -40°C to +85°C | 8 SO | - |
| MAX4173HEUT-T | 100 | -40°C to +85°C | 6 SOT23-6 | AABP |
| MAX4173HESA | 100 | -40°C to +85°C | 8 SO | - |

Pin Configurations appear at end of data sheet.



Maxim Integrated Products 1

For free samples & the latest literature: <http://www.maxim-ic.com>, or phone 1-800-998-8800.
For small orders, phone 1-800-835-8769.

Low-Cost, SOT23, Voltage-Output, High-Side Current-Sense Amplifier

ABSOLUTE MAXIMUM RATINGS

V_{CC}, RS₊, RS₋ to GND -0.3V to +30V
 OUT to GND -0.3V to (V_{CC} + 0.3V)
 Output Short-Circuit to V_{CC} or GND Continuous
 Differential Input Voltage (V_{RS+} - V_{RS-}) ±0.3V
 Current into Any Pin ±20mA

Continuous Power Dissipation (T_A = +70°C)
 8-Pin SO (derate 5.88mW/°C above +70°C) 471mW
 SOT23-6 (derate 8.7mW/°C above +70°C) 696mW
 Operating Temperature Range -40°C to +85°C
 Storage Temperature Range -65°C to +150°C
 Lead Temperature (soldering, 10sec) +300°C

Stresses beyond those listed under "Absolute Maximum Ratings" may cause permanent damage to the device. These are stress ratings only, and functional operation of the device at these or any other conditions beyond those indicated in the operational sections of the specifications is not implied. Exposure to absolute maximum rating conditions for extended periods may affect device reliability.

ELECTRICAL CHARACTERISTICS

(V_{RS+} = 0 to +28V, V_{CC} = +3V to +28V, V_{SENSE} = 0, T_A = T_{MIN} to T_{MAX}, R_{LOAD} = ∞ unless otherwise noted. Typical values are at T_A = +25°C.) (Note 1)

| PARAMETER | SYMBOL | CONDITIONS | MIN | TYP | MAX | UNITS |
|-------------------------------------|--------------------------------------|--|------|------|------|-------|
| Operating Voltage Range | V _{CC} | Guaranteed by PSR test | 3 | | 28 | V |
| Common-Mode Input Range | V _{CMR} | (Note 2) | 0 | | 28 | V |
| Common-Mode Rejection | CMR | V _{RS+} > +2.0V | | 90 | | dB |
| Supply Current | I _{CC} | V _{RS+} > +2.0V, V _{CC} = 12V | | 0.42 | 1.0 | mA |
| Leakage Current | I _{RS+} , I _{RS-} | V _{CC} = 0 | | 0.3 | 3 | μA |
| Input Bias Current | I _{RS+} | V _{RS+} > +2.0V | 0 | | 50 | μA |
| | | V _{RS+} ≤ +2.0V | -350 | | 50 | |
| | I _{RS-} | V _{RS+} > +2.0V | 0 | | 100 | |
| | | V _{RS+} ≤ +2.0V | -700 | | 100 | |
| Full-Scale Sense Voltage | V _{SENSE} | V _{SENSE} = V _{RS+} - V _{RS-} | | 150 | | mV |
| Total OUT Voltage Error (Note 3) | | V _{SENSE} = +100mV, V _{CC} = +12V, V _{RS+} = +12V | | ±0.5 | 5.75 | % |
| | | V _{SENSE} = +100mV, V _{CC} = +12V, V _{RS+} = +12V, T _A = +25°C | | 0.5 | 3.25 | |
| | | V _{SENSE} = +100mV, V _{CC} = +28V, V _{RS+} = +28V | | 0.5 | 5.75 | |
| | | V _{SENSE} = +100mV, V _{CC} = +12V, V _{RS+} = +0.1V | | -9 | ±24 | |
| | | V _{CC} = +12V, V _{RS+} = +12V, V _{SENSE} = +6.25mV (Note 4) | | ±7.5 | | |
| OUT High Voltage (Note 5) | (V _{CC} - V _{OH}) | MAX4173T, V _{CC} = +3.0V | | 0.8 | 1.2 | V |
| | | MAX4173F, V _{CC} = +7.5V | | 0.8 | 1.2 | |
| | | MAX4173H, V _{CC} = +15V | | 0.8 | 1.2 | |

Low-Cost, SOT23, Voltage-Output, High-Side Current-Sense Amplifier

MAX4173T/F/H

ELECTRICAL CHARACTERISTICS (continued)

($V_{RS+} = 0$ to $+28V$, $V_{CC} = +3V$ to $+28V$, $V_{SENSE} = 0$, $T_A = T_{MIN}$ to T_{MAX} , $R_{LOAD} = \infty$ unless otherwise noted. Typical values are at $T_A = +25^\circ C$.) (Note 1)

| PARAMETER | SYMBOL | CONDITIONS | | MIN | TYP | MAX | UNITS | |
|--|--------------|---|--------------------------------------|-----|-----|-----------|------------|-----|
| Bandwidth | BW | $V_{RS+} = +12V$, $V_{CC} = +12V$, $C_{LOAD} = 5pF$ | MAX4173T, $V_{SENSE} = +100mV$, | | 1.7 | | MHz | |
| | | | MAX4173F, $V_{SENSE} = +100mV$, | | 1.4 | | | |
| | | | MAX4173H, $V_{SENSE} = +100mV$, | | 1.2 | | | |
| | | | $V_{SENSE} = +6.25mV$, (Note 4) | | 0.6 | | | |
| Gain | A_V | MAX4173T | | | 20 | | V/V | |
| | | MAX4173F | | | 50 | | | |
| | | MAX4173H | | | 100 | | | |
| Gain Accuracy | ΔA_V | MAX4173T/F $V_{SENSE} = +10mV$ to $+150mV$ | $T_A = -40^\circ C$ to $+85^\circ C$ | | | 4.0 | % | |
| | | | $T_A = +25^\circ C$ | | 0.5 | ± 2.5 | | |
| | | MAX4173H $V_{SENSE} = +10mV$ to $+100mV$ | $T_A = -40^\circ C$ to $+85^\circ C$ | | | | | 4.0 |
| | | | $T_A = +25^\circ C$ | | 0.5 | ± 2.5 | | |
| OUT Settling Time to 1% of Final Value | | $V_{CC} = +12V$, $V_{RS+} = +12V$, $C_{LOAD} = 5pF$ | $V_{SENSE} = +6.25mV$ to $+100mV$ | | 400 | | ns | |
| | | | $V_{SENSE} = +100mV$ to $+6.25mV$ | | 800 | | | |
| OUT Output Resistance | R_{OUT} | | | | 12 | | k Ω | |
| Power-Supply Rejection | PSR | MAX4173T, $V_{SENSE} = 80mV$, $V_{RS+} \geq +2V$ | | 60 | 84 | | dB | |
| | | MAX4173F, $V_{SENSE} = 32mV$, $V_{RS+} \geq +2V$ | | 60 | 91 | | | |
| | | MAX4173H, $V_{SENSE} = 16mV$, $V_{RS+} \geq +2V$ | | 60 | 95 | | | |
| Power-Up Time to 1% of Final Value | | $V_{SENSE} = +100mV$, $C_{LOAD} = 5pF$ | | | 10 | | μs | |
| Saturation Recovery Time | | $V_{CC} = +12V$, $V_{RS+} = +12V$ (Note 6) | | | 10 | | μs | |

Note 1: All devices are 100% production tested at $T_A = +25^\circ C$. All temperature limits are guaranteed by design.

Note 2: Guaranteed by Total Output Voltage Error Test.

Note 3: Total OUT Voltage Error is the sum of gain and offset voltage errors.

Note 4: $+6.25mV = 1/16$ of $+100mV$ full-scale voltage.

Note 5: V_{SENSE} such that output stage is in saturation.

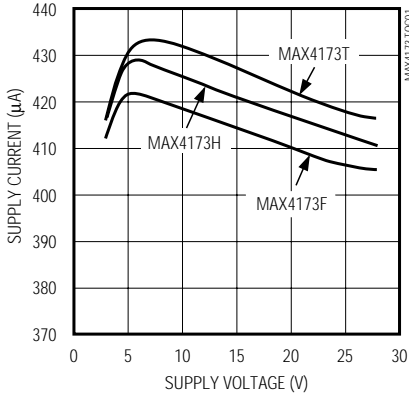
Note 6: The device does not experience phase reversal when overdriven.

Low-Cost, SOT23, Voltage-Output, High-Side Current-Sense Amplifier

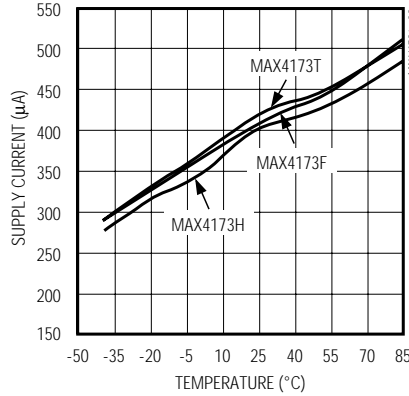
Typical Operating Characteristics

($V_{CC} = +12V$, $V_{RS+} = +12V$, $V_{SENSE} = +100mV$, $T_A = +25^{\circ}C$, unless otherwise noted.)

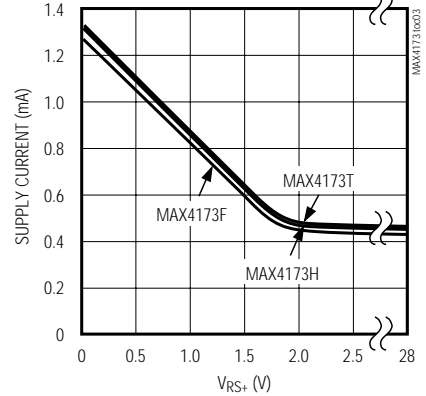
SUPPLY CURRENT vs. SUPPLY VOLTAGE



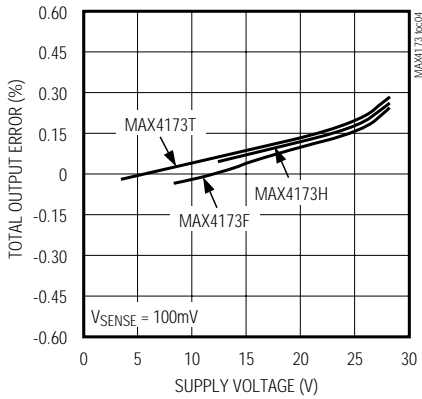
SUPPLY CURRENT vs. TEMPERATURE



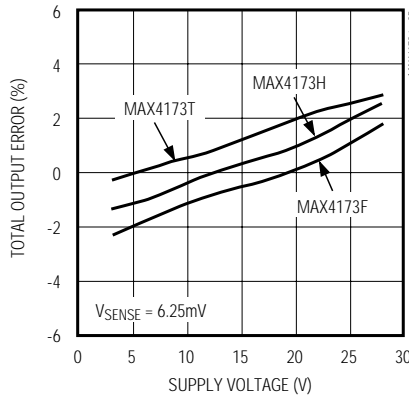
SUPPLY CURRENT vs. RS+ VOLTAGE



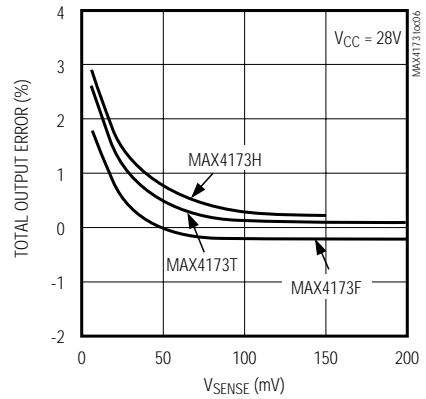
TOTAL OUTPUT ERROR vs. SUPPLY VOLTAGE



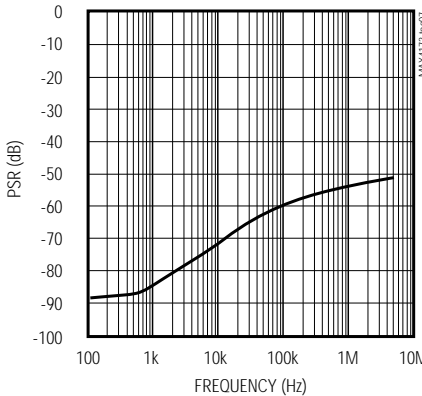
TOTAL OUTPUT ERROR vs. SUPPLY VOLTAGE



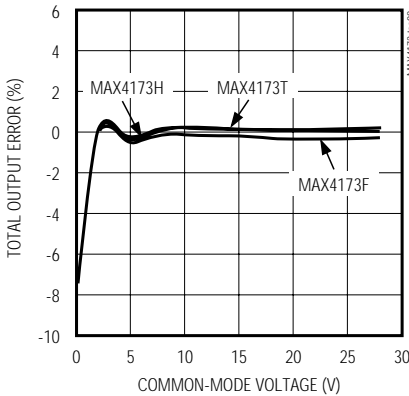
TOTAL OUTPUT ERROR vs. FULL-SCALE SENSE VOLTAGE



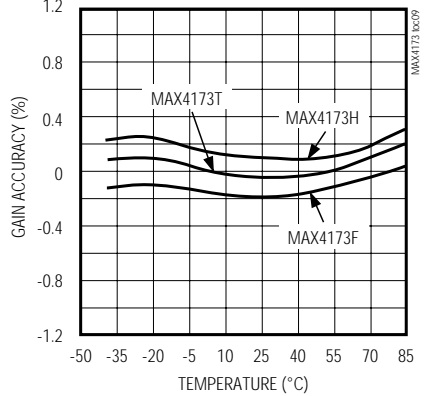
POWER-SUPPLY REJECTION vs. FREQUENCY



TOTAL OUTPUT ERROR vs. COMMON-MODE VOLTAGE



GAIN ACCURACY vs. TEMPERATURE

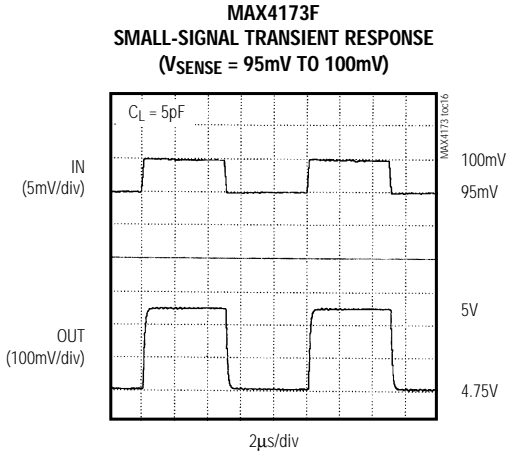
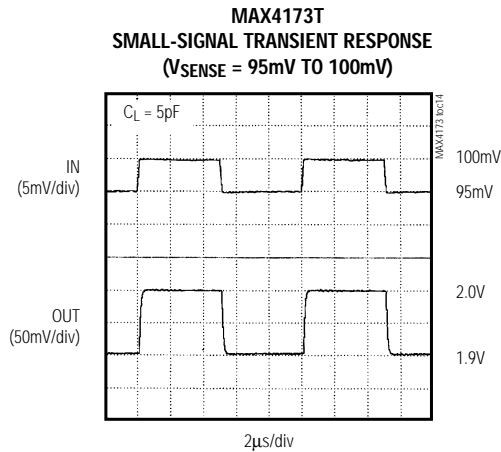
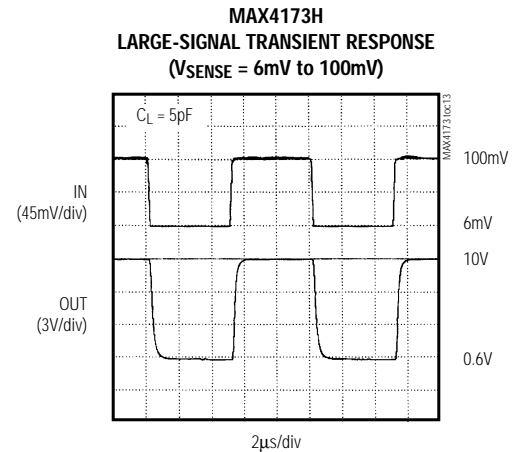
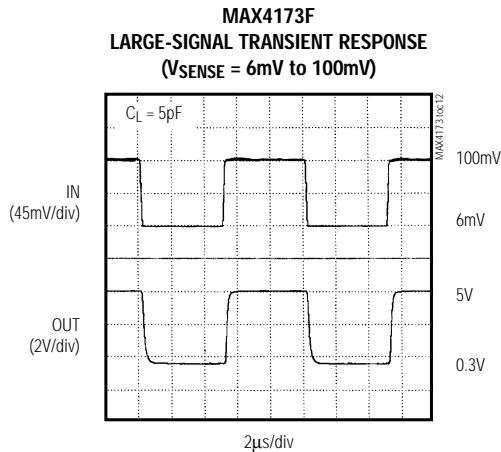
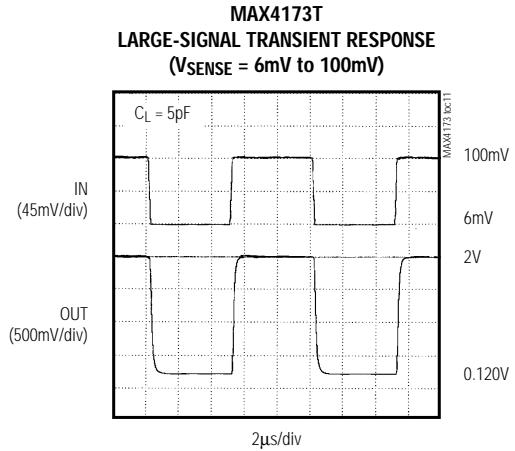
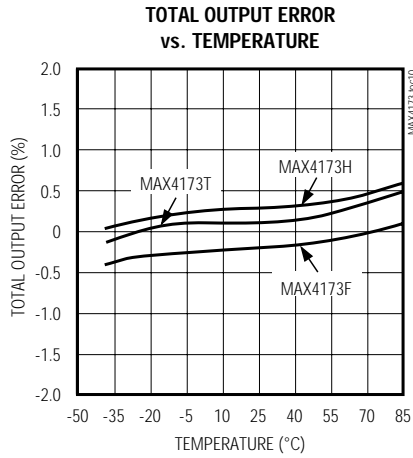


Low-Cost, SOT23, Voltage-Output, High-Side Current-Sense Amplifier

MAX4173T/F/H

Typical Operating Characteristics (continued)

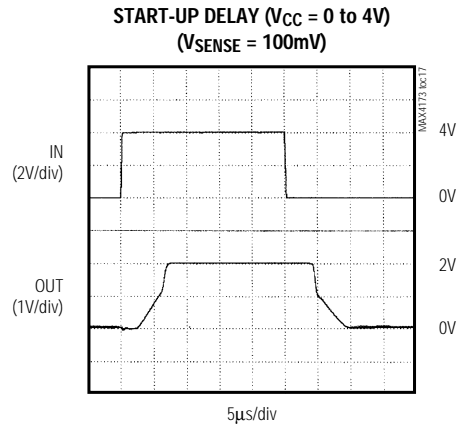
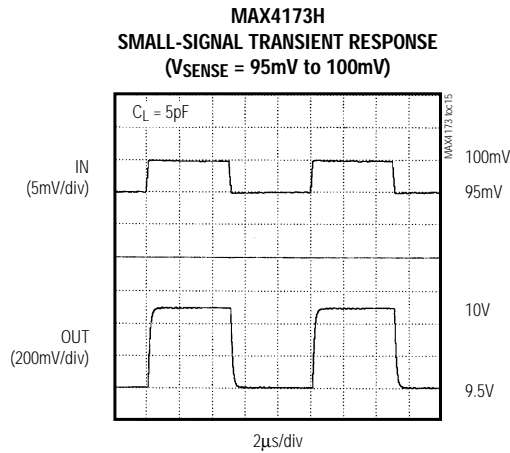
($V_{CC} = +12V$, $V_{RS+} = +12V$, $V_{SENSE} = +100mV$, $T_A = +25^{\circ}C$, unless otherwise noted.)



Low-Cost, SOT23, Voltage-Output, High-Side Current-Sense Amplifier

Typical Operating Characteristics (continued)

($V_{CC} = +12V$, $V_{RS+} = +12V$, $V_{SENSE} = +100mV$, $T_A = +25^{\circ}C$, unless otherwise noted.)



Pin Description

| PIN | | NAME | FUNCTION |
|---------|---------|----------|---|
| SOT23-6 | SO | | |
| 1, 2 | 3 | GND | Ground |
| 3 | 1 | V_{CC} | Supply Voltage Input. Bypass to GND with a $0.1\mu F$ capacitor. |
| 4 | 8 | $RS+$ | Power-Side Connection to the External Sense Resistor |
| 5 | 6 | $RS-$ | Load-Side Connection for the External Sense Resistor |
| 6 | 4 | OUT | Voltage Output. V_{OUT} is proportional to V_{SENSE} ($V_{RS+} - V_{RS-}$). Output impedance is approximately $12k\Omega$. |
| - | 2, 5, 7 | N.C. | No Connection. Not internally connected. |

Low-Cost, SOT23, Voltage-Output, High-Side Current-Sense Amplifier

MAX4173T/F/H

Detailed Description

The MAX4173 high-side current-sense amplifier features a 0 to +28V input common-mode range that is independent of supply voltage. This feature allows the monitoring of current out of a battery in deep discharge and also enables high-side current sensing at voltages greater than the supply voltage (V_{CC}).

The MAX4173 operates as follows: Current from the source flows through R_{SENSE} to the load (Figure 1). Since the internal-sense amplifier's inverting input has high impedance, negligible current flows through R_{G2} (neglecting the input bias current). Therefore, the sense amplifier's inverting-input voltage equals $V_{SOURCE} - (I_{LOAD})(R_{SENSE})$. The amplifier's open-loop gain forces its noninverting input to the same voltage as the inverting input. Therefore, the drop across R_{G1} equals $(I_{LOAD})(R_{SENSE})$. Since I_{RG1} flows through R_{G1} , $I_{RG1} = (I_{LOAD})(R_{SENSE}) / R_{G1}$. The internal current mirror multiplies I_{RG1} by a current gain factor, β , to give $I_{RGD} = \beta \cdot I_{RG1}$. Solving $I_{RGD} = \beta \cdot (I_{LOAD})(R_{SENSE}) / R_{G1}$. Assuming infinite output impedance, $V_{OUT} = (I_{RGD})(R_{GD})$. Substituting in for I_{RGD} and rearranging, $V_{OUT} = \beta \cdot (R_{GD} / R_{G1})(R_{SENSE} \cdot I_{LOAD})$. The parts gain equals $\beta \cdot R_{GD} / R_{G1}$. Therefore, $V_{OUT} = (GAIN)(R_{SENSE})(I_{LOAD})$, where $GAIN = 20$ for MAX4173T, $GAIN = 50$ for MAX4173F, and $GAIN = 100$ for MAX4173H.

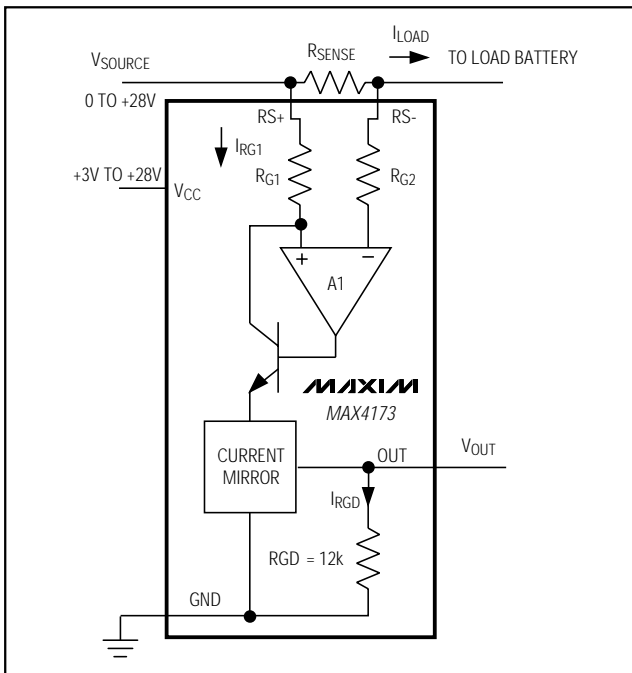


Figure 1. Functional Diagram

Set the full-scale output range by selecting R_{SENSE} and the appropriate gain version of the MAX4173.

Applications Information

Recommended Component Values

The MAX4173 senses a wide variety of currents with different sense resistor values. Table 1 lists common resistor values for typical operation of the MAX4173.

Choosing R_{SENSE}

To measure lower currents more accurately, use a high value for R_{SENSE} . The high value develops a higher sense voltage that reduces offset voltage errors of the internal op amp.

In applications monitoring very high currents, R_{SENSE} must be able to dissipate the I^2R losses. If the resistor's rated power dissipation is exceeded, its value may drift or it may fail altogether, causing a differential voltage across the terminals in excess of the absolute maximum ratings.

If I_{SENSE} has a large high-frequency component, minimize the inductance of R_{SENSE} . Wire-wound resistors have the highest inductance, metal-film resistors are somewhat better, and low-inductance metal-film resistors are best suited for these applications.

Using a PCB Trace as R_{SENSE}

If the cost of R_{SENSE} is an issue and accuracy is not critical, use the alternative solution shown in Figure 2. This solution uses copper PCB board traces to create a sense resistor. The resistivity of a 0.1-inch-wide trace of 2-ounce copper is approximately $30\text{m}\Omega/\text{ft}$. The resistance-temperature coefficient of copper is fairly high (approximately $0.4\%/^{\circ}\text{C}$), so systems that experience a wide temperature variance must compensate for this effect. In addition, do not exceed the maximum power dissipation of the copper trace.

For example, the MAX4173T (with a maximum load current of 10A and an R_{SENSE} of $5\text{m}\Omega$) creates a full-scale V_{SENSE} of 50mV that yields a maximum V_{OUT} of 1V. R_{SENSE} in this case requires about 2 inches of 0.1 inch-wide copper trace.

Output Impedance

The output of the MAX4173 is a current source driving a $12\text{k}\Omega$ resistance. Resistive loading added to OUT reduces the output gain of the MAX4173. To minimize output errors for most applications, connect OUT to a high-impedance input stage. When output buffering is required, choose an op amp with a common-mode input range and an output voltage swing that includes ground when operating with a single supply. The op

Low-Cost, SOT23, Voltage-Output, High-Side Current-Sense Amplifier

Table 1. Recommended Component Values

| FULL-SCALE LOAD CURRENT I_{LOAD} (A) | CURRENT-SENSE RESISTOR R_{SENSE} (m Ω) | GAIN | FULL-SCALE OUTPUT VOLTAGE (FULL-SCALE $V_{SENSE} = 100mV$) V_{OUT} (V) |
|---|---|------|---|
| 0.1 | 1000 | 20 | 2.0 |
| | | 50 | 5.0 |
| | | 100 | 10.0 |
| 1 | 100 | 20 | 2.0 |
| | | 50 | 5.0 |
| | | 100 | 10.0 |
| 5 | 20 | 20 | 2.0 |
| | | 50 | 5.0 |
| | | 100 | 10.0 |
| 10 | 10 | 20 | 2.0 |
| | | 50 | 5.0 |
| | | 100 | 10.0 |

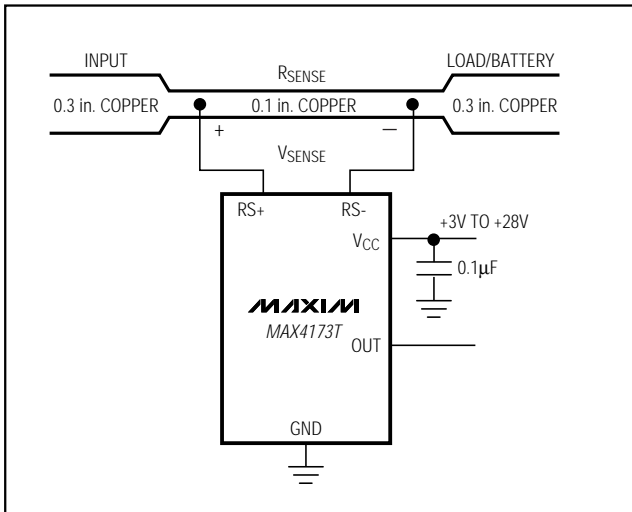


Figure 2. MAX4173 Connections Showing Use of PC Board

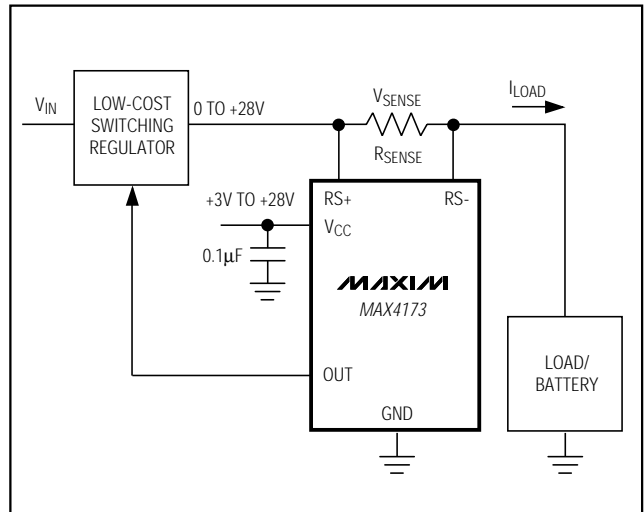


Figure 3. Current Source

amp's supply voltage range should be at least as high as any voltage the system may encounter.

The percent error introduced by output loading is determined with the following formula:

$$\%ERROR = 100 \left(\frac{R_{LOAD}}{12k\Omega + R_{LOAD}} - 1 \right)$$

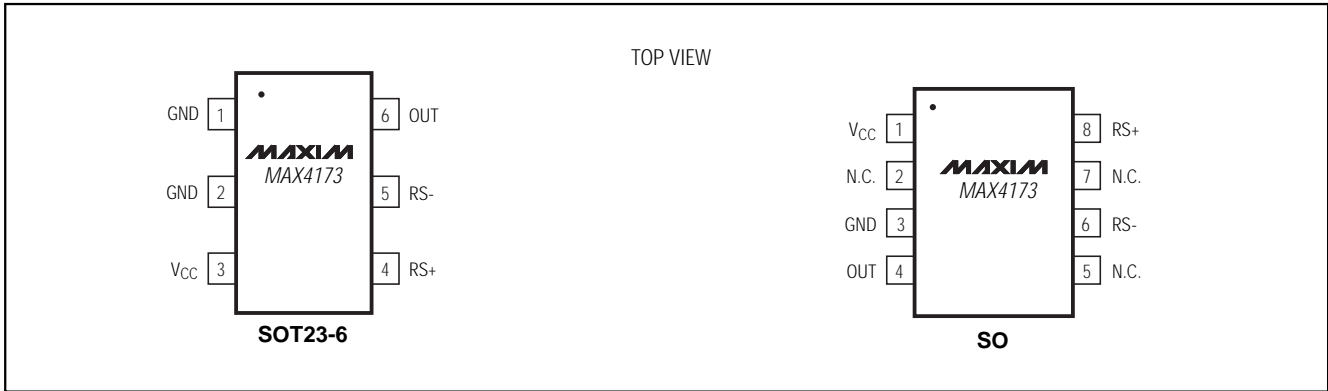
where R_{LOAD} is the external load applied to OUT.

Current Source Circuit

Figure 3 shows a block diagram using the MAX4173 with a switching regulator to make a current source.

Low-Cost, SOT23, Voltage-Output, High-Side Current-Sense Amplifier

Pin Configurations



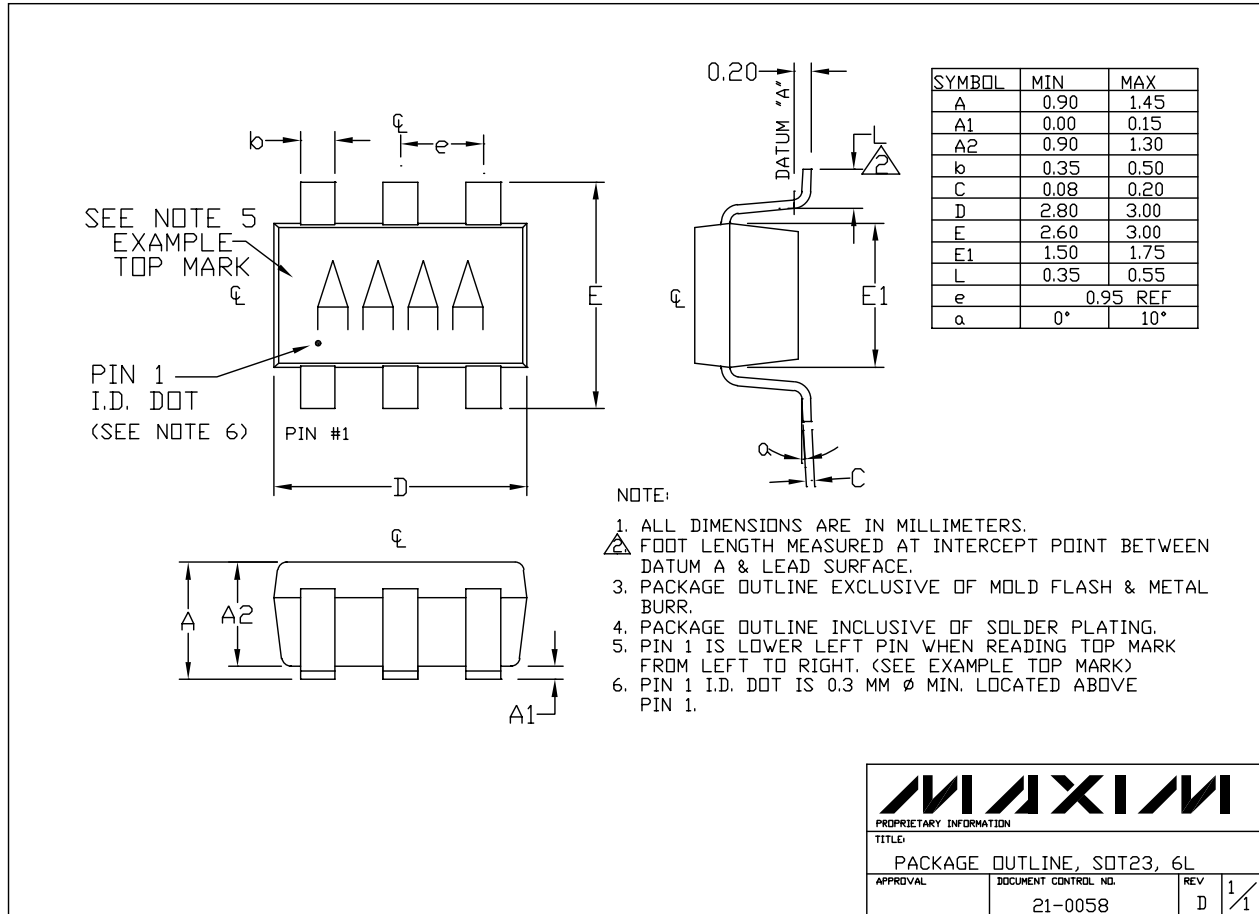
MAX4173T/E/H

Chip Information

TRANSISTOR COUNT: 187

Low-Cost, SOT23, Voltage-Output, High-Side Current-Sense Amplifier

Package Information



6LSOT.EPS

MAXIM

PROPRIETARY INFORMATION

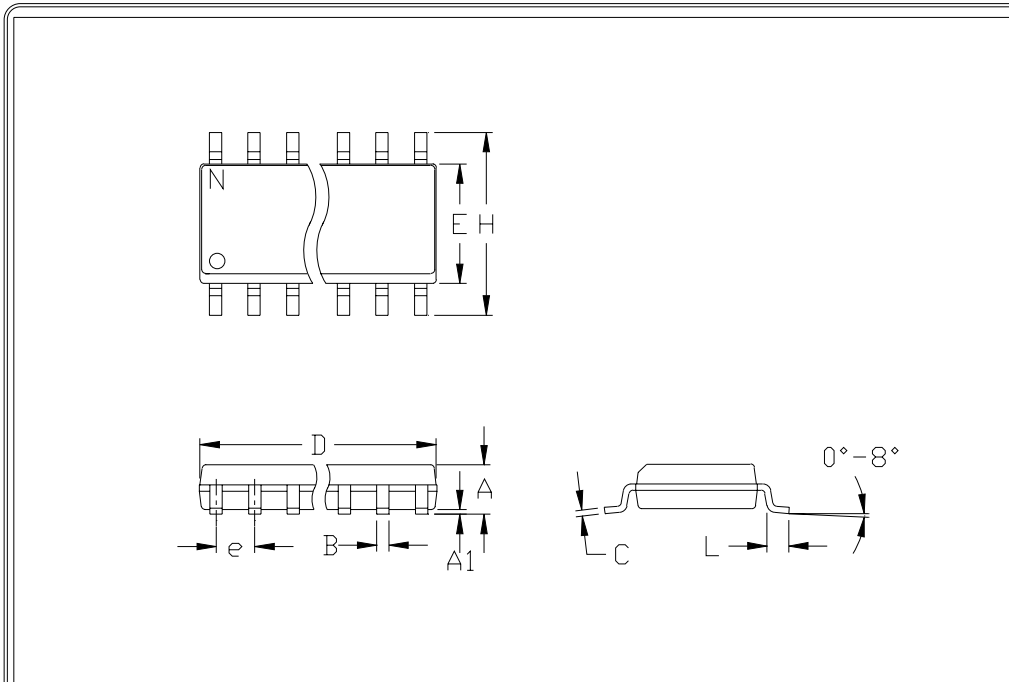
TITLE:
PACKAGE OUTLINE, SOT23, 6L

| | | | |
|----------|---------------------------------|----------|-----|
| APPROVAL | DOCUMENT CONTROL NO. 21-0058 | REV D | 1/1 |
|----------|---------------------------------|----------|-----|

Low-Cost, SOT23, Voltage-Output, High-Side Current-Sense Amplifier

Package Information (continued)

MAX4173T/E/H



| | INCHES | | MILLIMETERS | |
|----|--------|-------|-------------|------|
| | MIN | MAX | MIN | MAX |
| A | 0.053 | 0.069 | 1.35 | 1.75 |
| A1 | 0.004 | 0.010 | 0.10 | 0.25 |
| B | 0.014 | 0.019 | 0.35 | 0.49 |
| C | 0.007 | 0.010 | 0.19 | 0.25 |
| e | 0.050 | | 1.27 | |
| E | 0.150 | 0.157 | 3.80 | 4.00 |
| H | 0.228 | 0.244 | 5.80 | 6.20 |
| h | 0.010 | 0.020 | 0.25 | 0.50 |
| L | 0.016 | 0.050 | 0.40 | 1.27 |

| | INCHES | | MILLIMETERS | | N | MS012 |
|---|--------|-------|-------------|-------|----|-------|
| | MIN | MAX | MIN | MAX | | |
| D | 0.189 | 0.197 | 4.80 | 5.00 | 8 | A |
| D | 0.337 | 0.344 | 8.55 | 8.75 | 14 | B |
| D | 0.386 | 0.394 | 9.80 | 10.00 | 16 | C |

NOTES:

1. D&E DO NOT INCLUDE MOLD FLASH
2. MOLD FLASH OR PROTRUSIONS NOT TO EXCEED .15mm (.006")
3. LEADS TO BE COPLANAR WITHIN .102mm (.004")
4. CONTROLLING DIMENSION: MILLIMETER
5. MEETS JEDEC MS012-XX AS SHOWN IN ABOVE TABLE
6. N = NUMBER OF PINS

MAXIM
120 SAN GABRIEL DR. SUNNYVALE CA 94086 FAX (408) 737 7594
PROPRIETARY INFORMATION

PACKAGE FAMILY OUTLINE: SOIC .150"
TITLE

1/1

21-0041 A
DOCUMENT CONTROL NUMBER REV

MAX4173T/F/H

Low-Cost, SOT23, Voltage-Output, High-Side Current-Sense Amplifier

NOTES

Maxim cannot assume responsibility for use of any circuitry other than circuitry entirely embodied in a Maxim product. No circuit patent licenses are implied. Maxim reserves the right to change the circuitry and specifications without notice at any time.

12 _____ Maxim Integrated Products, 120 San Gabriel Drive, Sunnyvale, CA 94086 408-737-7600

© 1999 Maxim Integrated Products

Printed USA

MAXIM is a registered trademark of Maxim Integrated Products.