

Smart Two Channel Low-Side Switch

Features

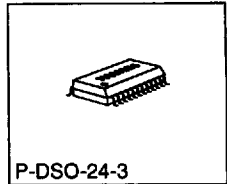
Product Summary

- Power limitation
- Overtemperature monitoring
- Overload protection
- Short circuit protection
- Diagnostic feedback
- Overvoltage protection
- μC compatible input
- Electrostatic discharge (ESD) protection

Supply voltage	V_S	6.5 - 45	V
Drain source voltage	$V_{DS(AZ)max}$	65	V
On resistance	$R_{ON(typ)}$	0.25	Ω
Output current	I_D	2 x 4	A
Nom. output current	$I_{D(ISO)}$	2 x 1.3	A

Application

- All kinds of resistive and inductive loads (relays, electromagnetic valves)
- μC compatible power switch for 12 and 24 V applications
- Solenoid control switch in automotive and industrial control systems

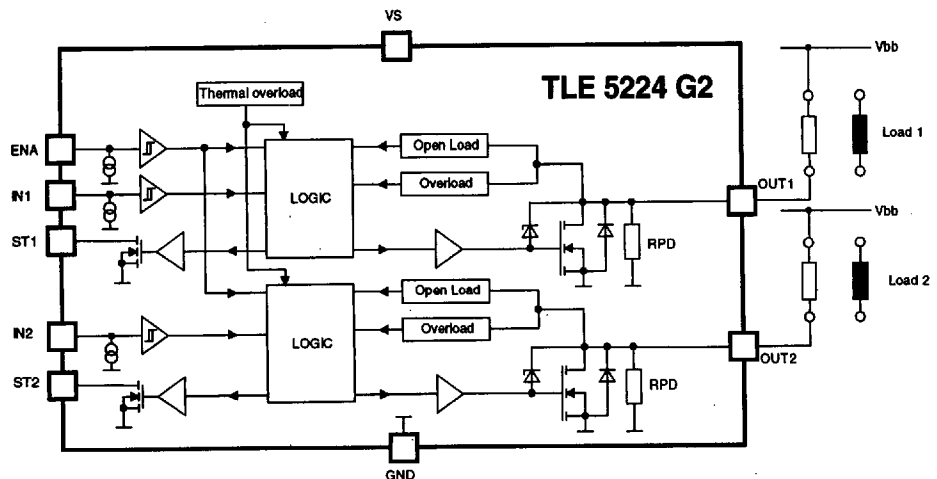


P-DSO-24-3

General description

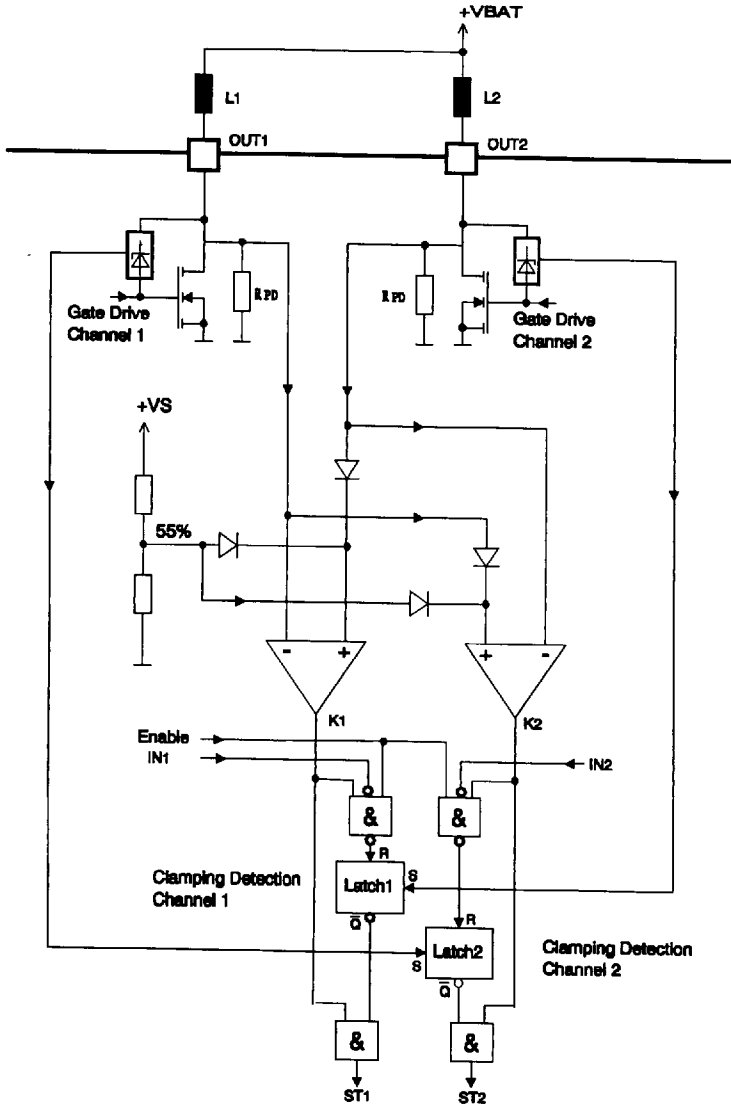
Double channel Low-Side-Switch in Smart Power Technology (SPT) with two separate inputs and two open drain DMOS output stages. The TLE 5224 G2 is fully protected by embedded protection functions and designed for automotive and industrial applications.

Block Diagram



8235605 0092531 61T

Block Diagram of Open Load Detection



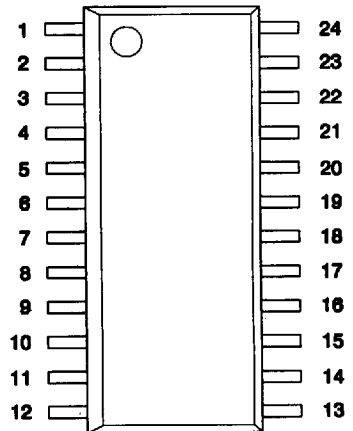
8235605 0092532 556

Maximum Ratings for $T_j = -40^{\circ}\text{C}$ to 150°C

Parameter	Symbol	Values	Unit
Supply voltage	V_S	- 0.3 ... + 60	V
Supply voltage operational range	V_S	+ 4.8 ... + 45	V
Continuous drain source voltage (OUT1, OUT2)	V_{DS}	45	V
Input voltage IN1, IN2, ENA	V_{IN}	- 0.3 ... + 6	V
Status output voltage	V_{ST}	- 0.3 ... + 32	V
Operating temperature range	T_j	- 40 ... + 150	$^{\circ}\text{C}$
Storage temperature range	T_{stg}	- 55 ... + 150	
Output current per channel	$I_{D(lim)}$	self limited	A
Status output current	I_{ST}	- 5 ... + 5	mA
Inductive load switch-off energy dissipation, single pulse	$T_f = 150^{\circ}\text{C}$ E_{AS}	400	mJ
Thermal resistance	junction - case ¹ R_{thJC}	12	K/W
	junction - ambient R_{thJA}	75	

**Pin Definitions and Functions
Pin Configuration(top view)**

Pin	Symbol	Function
1	IN1	Control input channel 1
2	ST2	Status output channel 2
3	OUT2	Power output channel 2
4	N.C.	Not connected, cooling
5,6,7,8	GND	Ground, cooling
9,10	N.C.	Not connected, cooling
11	ENA	Enable input for both channels
12	V_S	Supply voltage
13,14,15,16	N.C.	Not connected, cooling
17,18,19,20	GND	Ground, cooling
21	N.C.	Not connected, cooling
22	OUT1	Power output channel 1
23	ST1	Status output channel 1
24	IN2	Control input channel 2



¹ Case = Pin 5 to 8 and 17 to 20.

Additionally the pins not connected (N.C.) have to be connected to the ground plane used as thermal heatsink to achieve the best thermal resistance.

Electrical Characteristics

Parameter and Conditions $V_S = 6.5$ to 45 V ; $T_j = -40$ °C to $+150$ °C (unless otherwise specified)	Symbol	Values			Unit
		min	typ	max	

1. Power Supply (V_S)

Supply current (Outputs ON)	$V_S = 45$ V	I_S			5	mA
	$V_S \leq 18$ V			2	4	
Supply current (Output OFF)	$V_S \leq 18$ V	I_S		1	2	mA
Operating voltage		V_S	4.8		45	V

2. Power Outputs

ON state resistance; $I_D = 4$ A; $V_S \geq 9.5$ V	$T_j = 25$ °C	$R_{DS(ON)}$		0.25		Ω
	$T_j = 150$ °C				0.5	
Z-Diode clamping voltage (OUT1, OUT2)		$V_{DS(AZ)}$	45		65	V
Pull down resistor	$T_j = 25$ °C	R_{PD}	14	20	26	k Ω
	$T_j \leq 125$ °C		10		40	
Output on delay time ²	$I_D = 0.2$ A	t_{on}	10	25	40	μ s
Output off delay time ²	$I_D = 2$ A	t_{off}		50		
Output on fall time ²	$I_D = 0.2$ A	t_{fall}		20		
Output off rise time ²	$I_D = 2$ A	t_{rise}		25		
Output off status delay time ²	$I_D = 2$ A	t_4	20	40	60	
Output on status delay time ^{2,3,4}		t_5			50	
Overload switch-off delay time ³		t_{DSO}	50		150	

3. Digital Inputs (IN1, IN2, ENA)

Input low voltage		V_{INL}	-0.3		1.0	V
Input high voltage		V_{INH}	2.0		6.0	V
Input voltage hysteresis		V_{INHys}	0.2		0.6	V
Input pull down current	$V_{IN} = 5$ V; $V_S \geq 9$ V	I_{IN}	50	100	140	μ A
Enable pull down current	$V_{ENA} = 5$ V; $V_S \geq 9$ V	I_{ENA}	15	30	45	μ A

4. Digital Status Outputs (ST1, ST2), open Drain

Output voltage low	$I_{ST} = 2$ mA	V_{STL}			0.5	V
Leakage current high		I_{STH}			10	μ A

² See timing diagram, resistive load condition; $V_S \geq 9$ V³ This parameter will not be tested but assured by design⁴ Time till status valid after switching on or error detection

Electrical Characteristics

Parameter and Conditions $V_S = 6.5$ to 45 V ; $T_I = -40$ °C to $+150$ °C (unless otherwise specified)	Symbol	Values			Unit
		min	typ	max	

5. Diagnostic Functions

Open load detection voltage (Output OFF)	$V_S \leq 18$ V $V_S = 12$ V	$V_{DS(OL)}$	$0.51 \cdot V_S$ 6.2	$0.58 \cdot V_S$ 7.0	V
Open load compare voltage ⁵	$18V > V_{DSC} > 0.65 \cdot V_S$	$V_{DS(OL)C}$	$V_{DSC} - 1.6$	$V_{DSC} - 0.9$	V
Open load detection current (Output ON)		$I_{D(OL)}$	100	500	mA
Overload threshold current ($V_S \geq 9.5$ V)	$T_I = 25$ °C $T_I = 150$ °C	$I_{D(lim)}$	5.25 4		A
Overtemperature monitoring threshold ⁶		T_{th}	170	200	°C
Hysteresis		T_{hys}		10	K

Application Description

This IC is specially designed to drive inductive loads (relays, electromagnetic valves). Integrated clamp-diodes limit the output voltage peak when switching off an inductive load.

For the detection of errors there are two status outputs, which monitor the following errors by logic levels:

- thermal overload monitoring,
- open and short load to ground in active an inactive mode,
- overloading of output (also shorted load to supply) in active mode.

Circuit Description

Input Circuits

The control and enable inputs, all active high, consist of Schmitt triggers with hysteresis. All inputs are connected with pull-down current sources. Not connected inputs are interpreted as "low".

Switching Stages

The power outputs consist of a DMOS power transistor with open drain. The output stages are short-load-protected throughout the operating range. Integrated clamp-diodes limit voltage spikes produced when inductive loads are discharged.

Protective Circuit

The outputs are protected against current overload. There is no protection against reverse polarity of the supply voltage.

⁵ V_{DSC} is the output voltage of the other channel used for open load compare detection

⁶ This parameter will not be tested but assured by design

Error Detection

The status output signal of the switching stages at normal operation is LOW = OFF; HIGH = ON. In case of any error the status outputs are set according to the table below. If current overload occurs, the error condition is stored in an internal register and the output is shutdown. To reset this register the control input of the affected channel has to be switched off and then on again. The state of the error detection circuit is directly dependent on the input status.

In case of thermal overload the output stage will not be switched off but it will be monitored via the status outputs.

Open load is detected for both on- and off-modus.

In the on-modus the load current is monitored. If it drops below the specified threshold open load is detected. In the off mode, the output voltage is monitored.

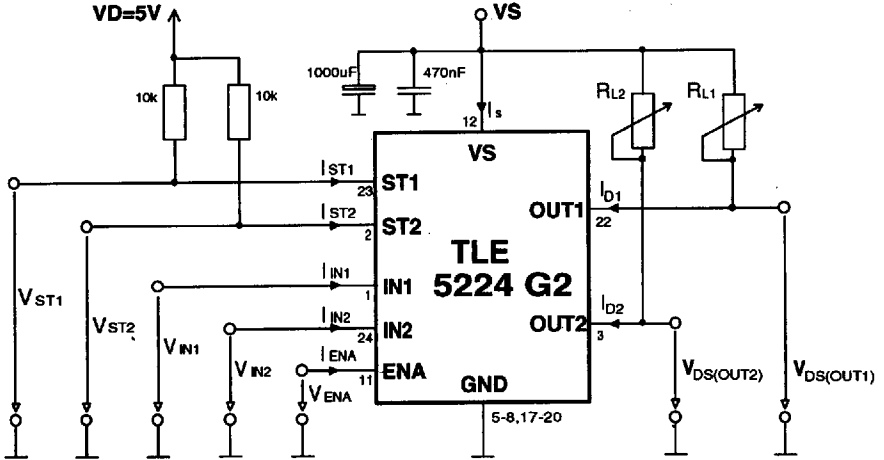
An open load condition is detected when the output voltage of a given channel is below 55 % of the supply voltage V_S . Also the output voltages of two outputs are compared against each other in off condition with a fixed offset of typ. 1.25 V to recognize GND bypasses. To suppress fault diagnosis during the flyback phase of the compared output, the diagnostic circuit includes a latch function. Reset of this latch is done at end of the flyback phase, additionally it can be reset by a low signal on the enable input and by a high signal of the input signal. See also the block diagram of open load detection.

Diagnostic Table

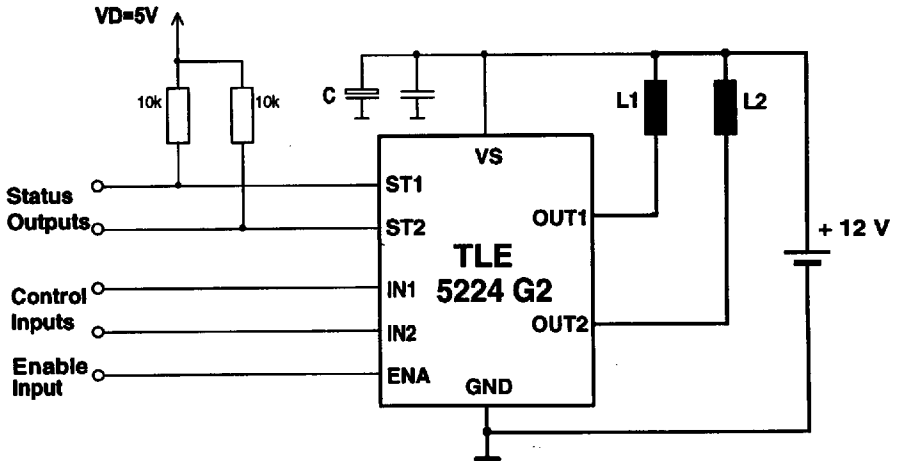
Operating Condition	Inputs			Power Outputs		Status Outputs	
	ENA	IN1	IN2	OUT1	OUT2	ST1	ST2
Normal Function	L	X	X	OFF	OFF	L	L
	H	L	L	OFF	OFF	L	L
	H	H	L	ON	OFF	H	L
	H	L	H	OFF	ON	L	H
Thermal Overload	H	H	H	ON	ON	H	H
	X	L	L	OFF	OFF	L	L
	L	X	X	OFF	OFF	L	L
Open Load Channel 1	H	H	H	ON	ON	L	L
	X	L	L	OFF	OFF	H	L
	L	H	1)	OFF	1)	H	1)
Open Load Channel 2	H	H	H	ON	ON	L	L
	X	L	L	OFF	OFF	H	H
	L	1)	H	1)	OFF	1)	H
Overload Channel 1	H	H	H	ON	ON	L	L
	L	X	L	OFF	OFF	L	L
	H	L	1)	OFF	1)	L	1)
Overload Channel 2	H	H	H	ON	ON	L	L
	L	X	X	OFF	OFF	L	L
	H	1)	L	1)	OFF	1)	L
	H	H	H	ON	ON	L	L

1) see normal function

Test Circuit



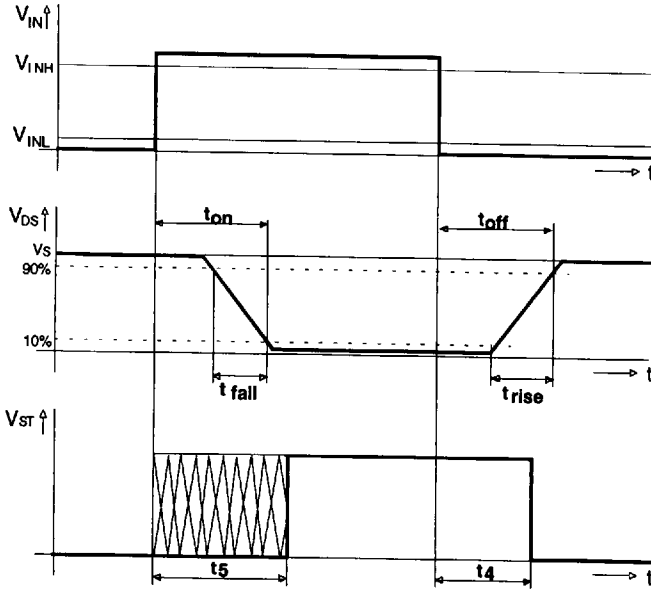
Application Circuit



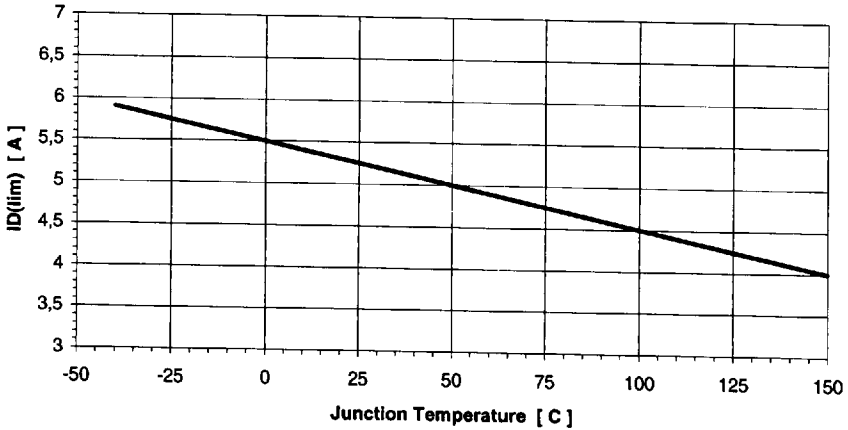
The blocking capacitor C is recommended to avoid critical negative voltage spikes on V_s in case of battery interruption during OFF-commutation.

8235605 0092537 038

Timing Diagram



Overload Current versus temperature



Package and ordering code

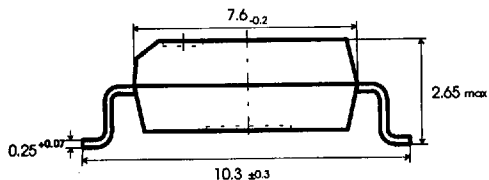
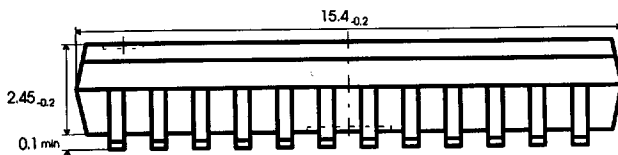
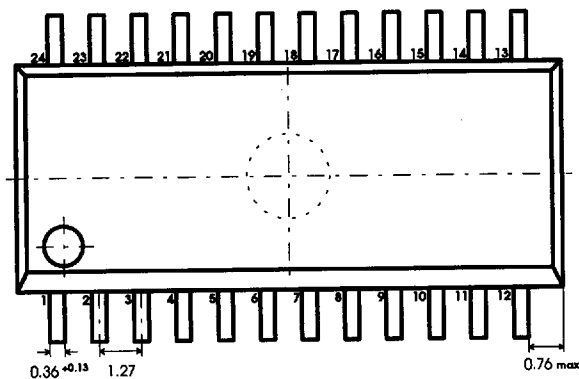
all dimensions in mm

P - DSO - 24 - L16

Ordering code

Q67006-A9253

(Dual-in-line package, small-outline)
24 B 24 DIN 41870 T17



■ 8235605 0092539 900 ■