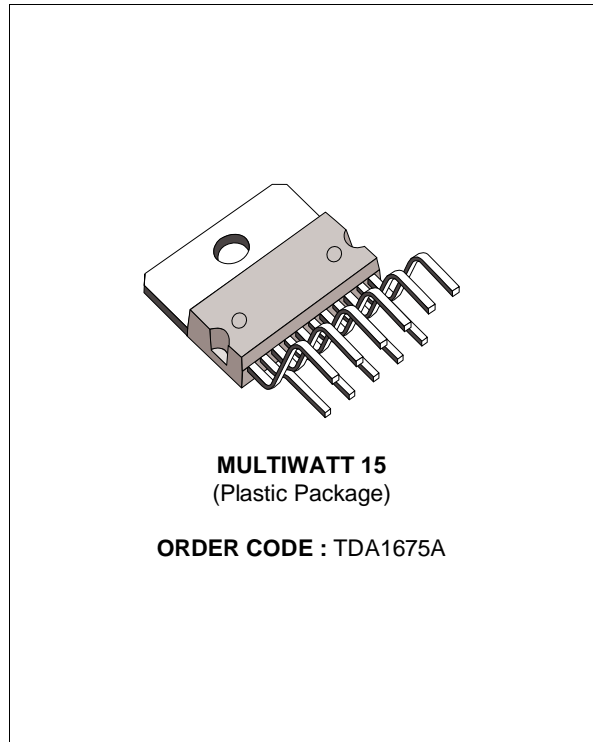


**VERTICAL DEFLECTION CIRCUIT**

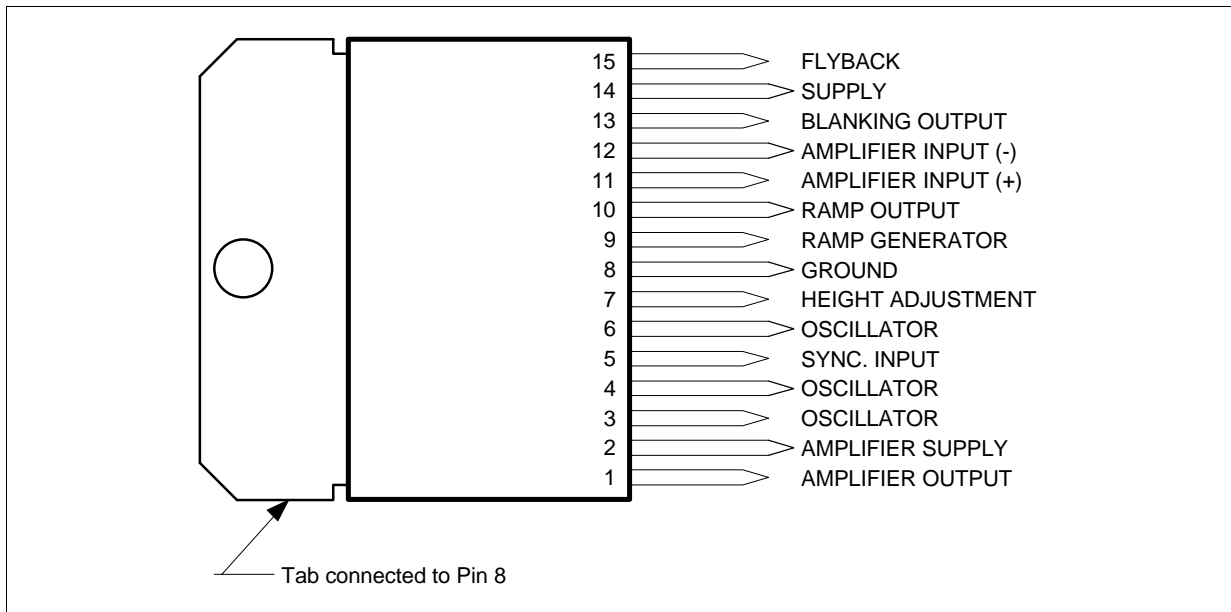
- SYNCHRONISATION CIRCUIT
- ESD PROTECTED
- PRECISION OSCILLATOR AND RAMP GENERATOR
- POWER OUTPUT AMPLIFIER WITH HIGH CURRENT CAPABILITY
- FLYBACK GENERATOR
- VOLTAGE REGULATOR
- PRECISION BLANKING PULSE GENERATOR
- THERMAL SHUT DOWN PROTECTION
- CRT SCREEN PROTECTION CIRCUIT WHICH BLANKS THE BEAM CURRENT IN THE EVENT OF LOSS OF VERTICAL DEFLECTION CURRENT

**DESCRIPTION**

The TDA1675A is a monolithic integrated circuit in 15-lead Multiwatt<sup>®</sup> package. It is a full performance and very efficient vertical deflection circuit intended for direct drive of the yoke of 110° colour TV picture tubes. It offers a wide range of applications also in portable CTVs, B&W TVs, monitors and displays.

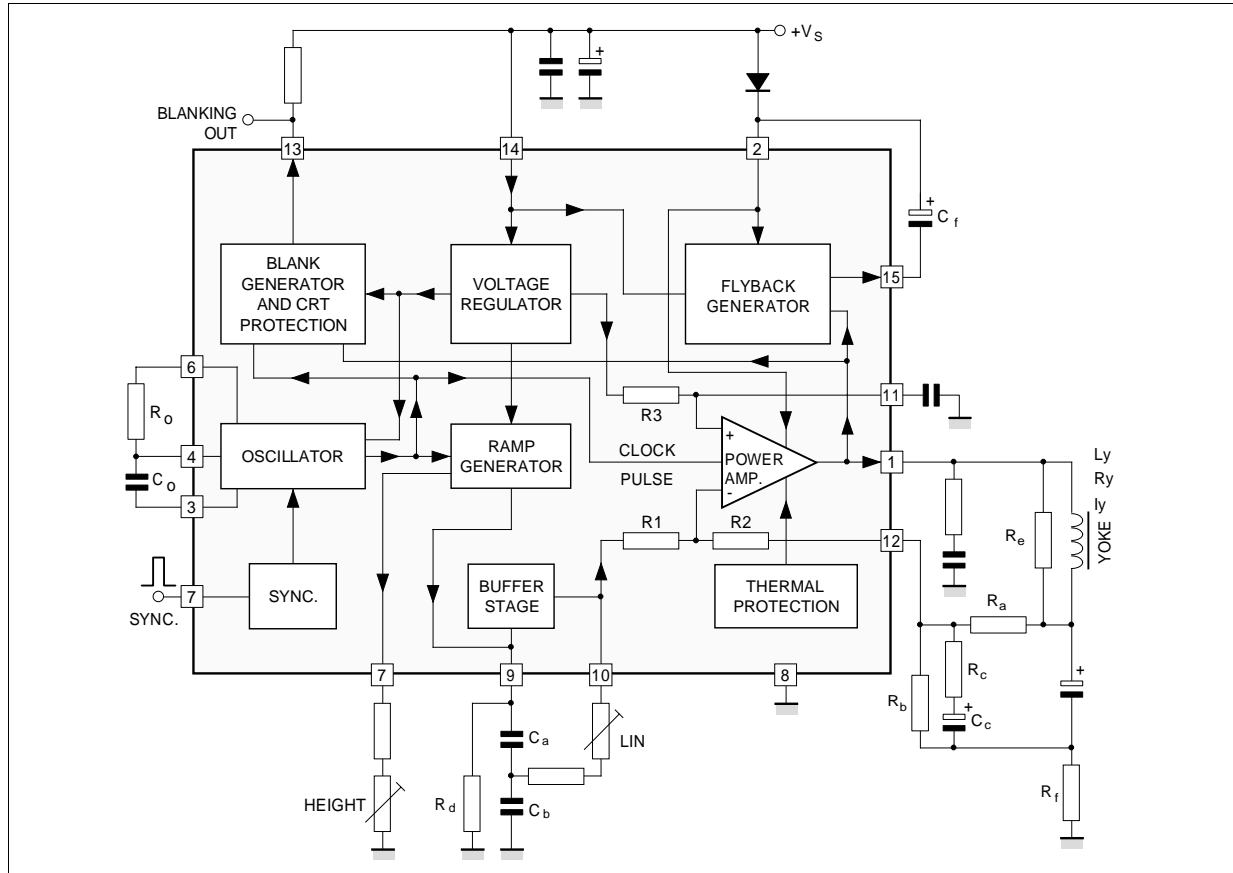


**PIN CONNECTIONS (top view)**



1675A-01.EPS

**BLOCK DIAGRAM**



1675A-02.EPS

**ABSOLUTE MAXIMUM RATINGS**

Symbol	Parameter	Value	Unit
$V_s$	Supply Voltage at Pin 14	35	V
$V_1, V_2$	Flyback Peak Voltage	65	V
$V_5$	Sync. Input Voltage	20	V
$V_{11}, V_{12}$	Power Amplifier Input Voltage	$V_s - 10$	V
$V_{13}$	Voltage at Pin 13	$V_s$	
$I_o$	Output Current (non repetitive) at $t = 2ms$	3	A
$I_o$	Output Peak Current at $f = 50Hz$ $t > 10\mu s$	2	A
$I_o$	Output Peak Current at $f = 50Hz$ $t \leq 10\mu s$	3.5	A
$I_{15}$	Pin 15 Peak-to-peak Flyback Current at $f = 50Hz, t_{fly} \leq 1.5ms$	3	A
$I_{15}$	Pin 15 D.C. Current at $V_1 < V_{14}$	100	mA
$P_{tot}$	Maximum Power Dissipation at $T_{case} \leq 60^\circ C$	30	W
$T_{stg}, T_j$	Storage and Junction Temperature	- 40, + 150	$^\circ C$

1675A-01.TBL

**THERMAL DATA**

Symbol	Parameter	Value	Unit
$R_{TH(j-c)}$	Thermal Resistance Junction-case	Max. 3	$^\circ C/W$
$R_{TH(j-a)}$	Thermal Resistance Junction-ambient	Max. 40	$^\circ C/W$

1675A-02.TBL

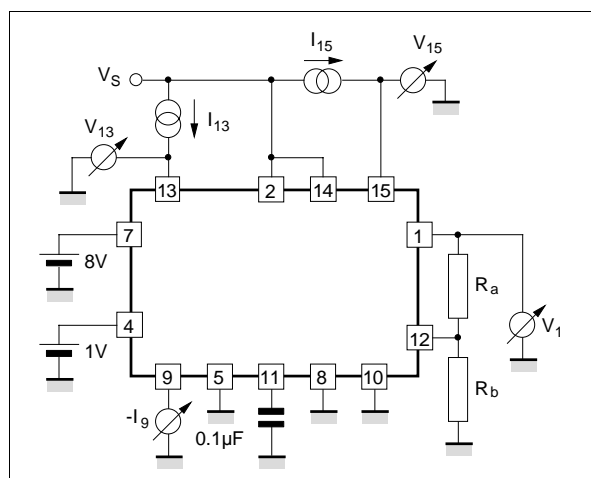
DC ELECTRICAL CHARACTERISTICS ( $V_S = 35V$ ,  $T_{amb} = 25^{\circ}C$ , unless otherwise specified)

Symbol	Parameter	Test conditions	Min.	Typ.	Max.	Unit	Fig.
$I_2$	Pin 2 quiescent current	$I_1 = 0$		16	36	mA	1b
$-I_9$	Ramp generator bias current	$V_9 = 0$		0.02	1	$\mu A$	1b
$-I_9$	Ramp generator current	$V_9 = 0 ; -I_7 = 20\mu A$	18.5	20	21.5	$\mu A$	1b
$\frac{ \Delta I_9 }{I_9}$	Ramp generator non linearity	$\Delta V_9 = 0$ to $15V$ , $-I_7 = 20\mu A$		0.2	1	%	1b
$I_{14}$	Pin 14 quiescent current			25	45	mA	1b
$V_1$	Quiescent output voltage	$V_S = 35V$ , $R_a = 2.2k\Omega$ , $R_b = 1k\Omega$ $V_S = 15V$ , $R_a = 390\Omega$ , $R_b = 1k\Omega$	16.4 6.9	17.8 7.5	19.5 8.1	V	1a
$V_{1L}$	Output saturation voltage to ground	$I_1 = 1.2A$ ,		1	1.4	V	1c
$V_{1H}$	Output saturation voltage to supply	$-I_1 = 1.2A$		1.6	2.2	V	1d
$V_4$	Oscillator virtual ground			0.45		V	1b
$V_7$	Regulated voltage at pin 7	$-I_7 = 20\mu A$	6.3	6.6	7	V	1b
$\frac{\Delta V_7}{\Delta V_S}$	Regulated voltage drift with supply voltage	$\Delta V_S = 15$ to $35V$		1	2	$\frac{mV}{V}$	1b
$V_{11}$	Amplifier input (+) reference voltage		4.1	4.4	4.7	V	1b
$V_{13}$	Blanking output saturation voltage	$I_{13} = 10$ mA		0.35	0.5	V	1a
$V_{15}$	Pin 15 saturation voltage to ground	$I_{15} = 20$ mA		1	1.5	V	1a

1675A-03.TBL

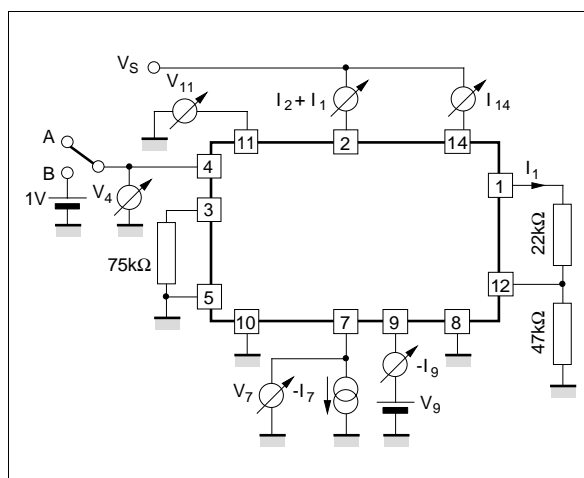
Figure 1 : DC Test Circuit.

Figure 1a



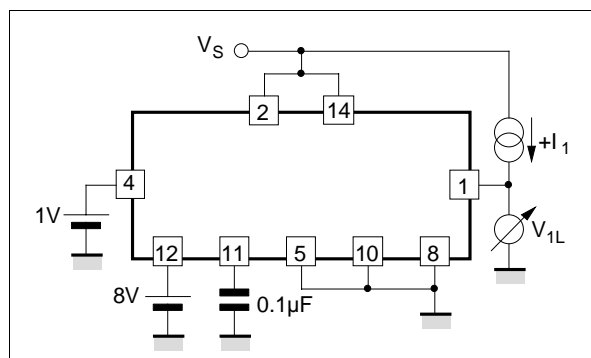
1675A-03.EPS

Figure 1b



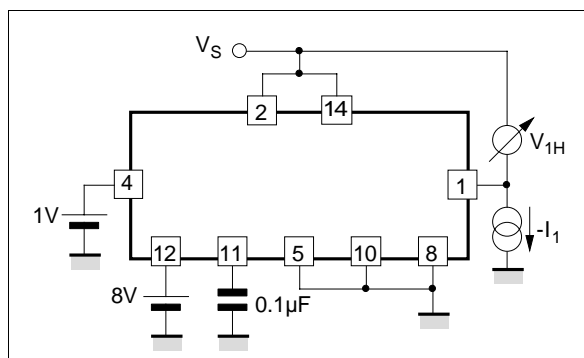
1675A-04.EPS

Figure 1c



1675A-05.EPS

Figure 1d



1675A-06.EPS

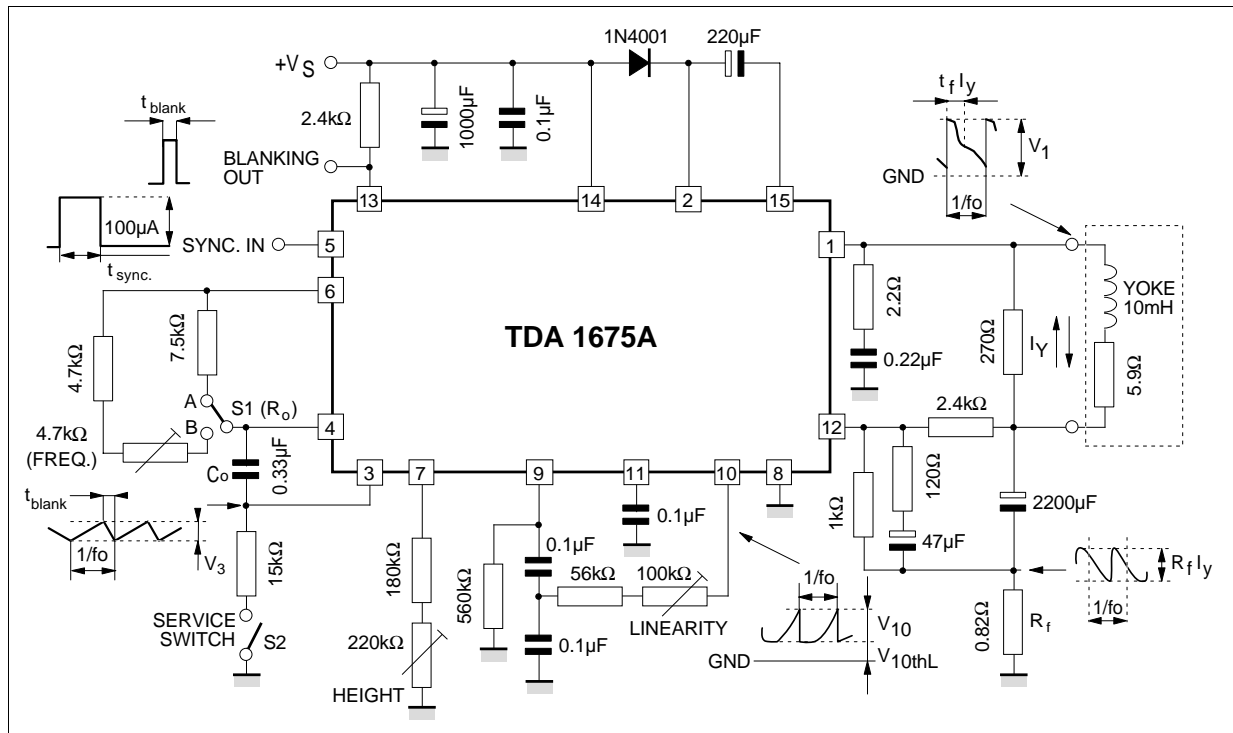
**AC ELECTRICAL CHARACTERISTICS**

(Refer to A.C. test circuit of fig. 2,  $T_{amb} = 25^{\circ}\text{C}$ ,  $V_S = 24\text{V}$ ,  $f = 50\text{Hz}$ , unless otherwise specified)

Symbol	Parameter	Test conditions	Min.	Typ.	Max.	Unit
$I_S$	Supply Current	$I_Y = 2A_{pp}$		295		mA
$I_S$	Sync Input Current Required to Sync		100			$\mu\text{A}$
$V_1$	Flyback Voltage	$I_Y = 2A_{pp}$		50		V
$V_3$	Peak-to-peak Oscillator Sawtooth Voltage	$I_S = 0$ $I_S = 100\mu\text{A}$		3.6 3.4		V V
$V_{10TH(L)}$	Start Scan Level of the Input Ramp			1.85		V
$t_{FLY}$	Flyback Time	$I_Y = 2A_{pp}$		0.6		ms
$t_{BLANK}$	Blanking Pulse Duration	$f_o = 50\text{Hz}$ , $T_j = 75^{\circ}\text{C}$ $f_o = 60\text{Hz}$ , $T_j = 75^{\circ}\text{C}$	1.33	1.4 1.17	1.47	ms ms
$f_o$	Free Running Frequency	$R_o = 7.5\text{k}\Omega$ , $C_o = 330\text{nF}$ , $T_j = 75^{\circ}\text{C}$ $R_o = 6.2\text{k}\Omega$ , $C_o = 330\text{nF}$ , $T_j = 75^{\circ}\text{C}$	42	43.5 52.5	46	Hz Hz
$\Delta f$	Synchronization Range	$I_S = 100\mu\text{A}$ , $T_j = 75^{\circ}\text{C}$	14	16		Hz
$T_j$	Junction Temperature for Thermal Shut-down			145		$^{\circ}\text{C}$
$V_{ON}$	Peak-to-peak Output Noise				35	mV <sub>PP</sub>

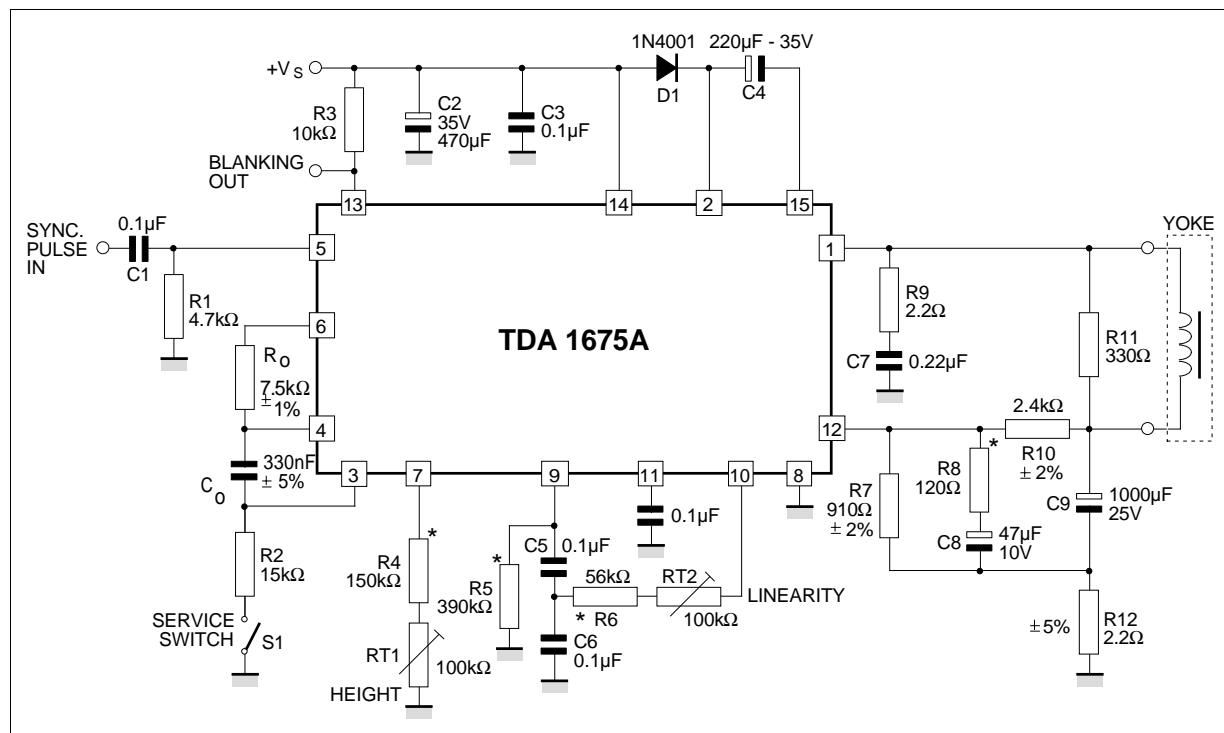
1675A-04.TBL

**Figure 2 : AC Test Circuit**



1675A-07.EPS

Figure 3 : Application Circuit for Small Sree 90° CTV Set ( $R_y = 15\Omega$  ;  $L_y = 30\text{ mH}$  ;  $I_y = 0.82\text{ A}_{PP}$ )



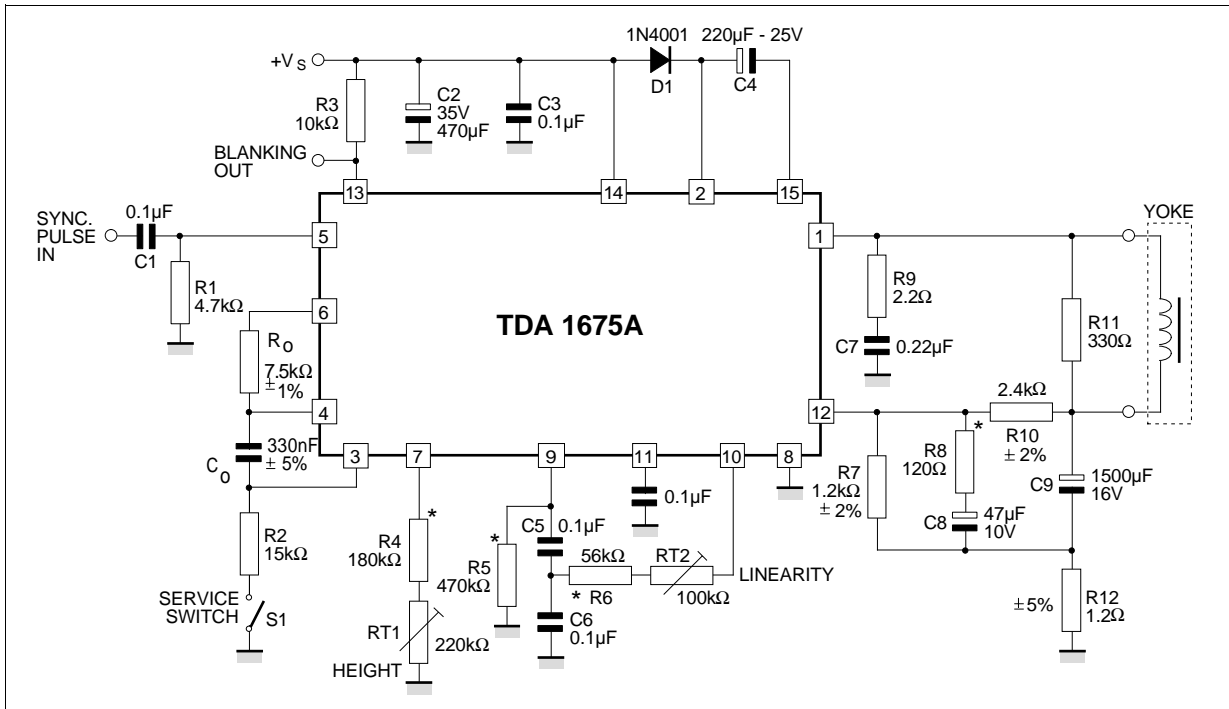
\* The value depends on the characteristics of the CRT. The value shown is indicative only.

### TYPICAL PERFORMANCE

Symbol	Parameter	Value	Unit
$V_S$	Minimum supply voltage	25	V
$I_S$	Supply current	140	mA
$t_{FLY}$	Flyback time	0.7	ms
$t_{BLKG}$	Banking time	1.4	ms
$f_o$	Free running frequency	43.5	Hz
* $P_{TOT}$	Power dissipation	2.4	W
* $R_{TH(heatsink)}$	Thermal resistance of the heatsink for $T_{amb} = 60^\circ\text{C}$ and $T_{j\max} = 110^\circ\text{C}$ for $T_{amb} = 60^\circ\text{C}$ and $T_{j\max} = 120^\circ\text{C}$	13 16	$^\circ\text{C/W}$ $^\circ\text{C/W}$

\* Worst case condition.

Figure 4 : Application Circuit for 110° CTV Set ( $R_y = 9.6\Omega$  ;  $L_y = 24.6\text{ mH}$  ;  $I_y = 1.2\text{ APP}$ )



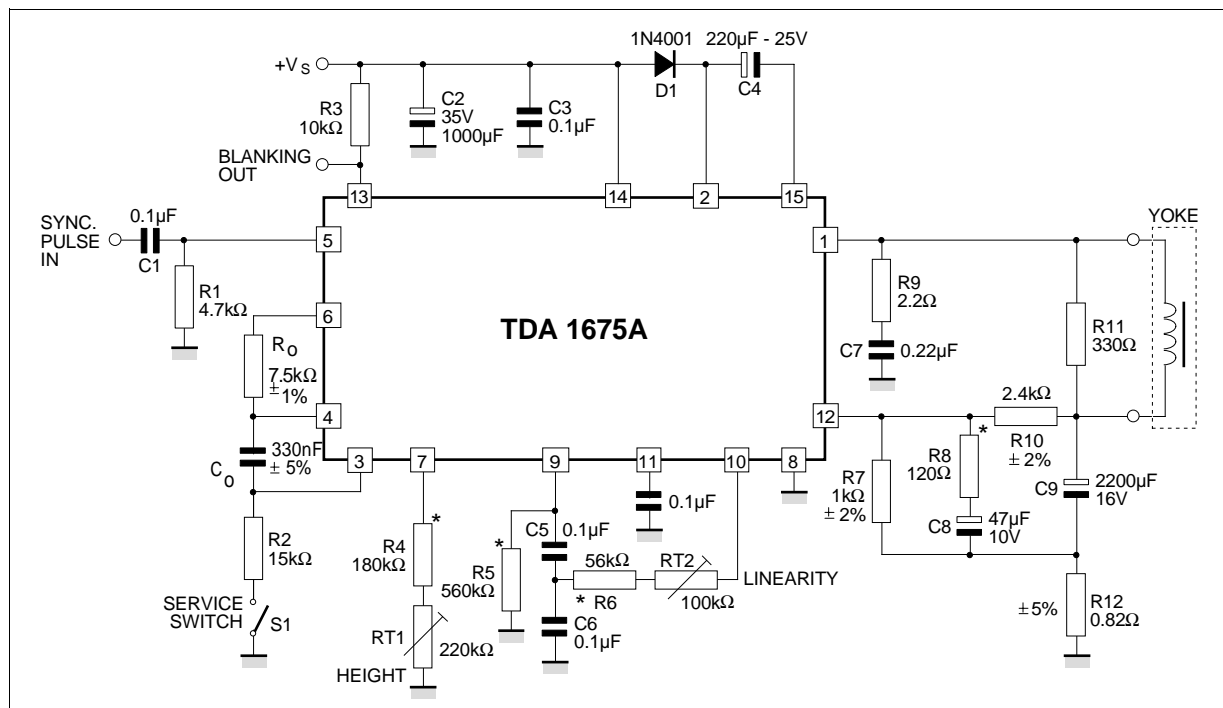
\* The value depends on the characteristics of the CRT. The value shown is indicative only.

TYPICAL PERFORMANCE

Symbol	Parameter	Value	Unit
$V_s$	Minimum supply voltage	22.5	V
$I_s$	Supply current	185	mA
$t_{FLY}$	Flyback time	1	ms
$t_{BLKG}$	Banking time	1.4	ms
$f_o$	Free running frequency	43.5	Hz
* $P_{TOT}$	Power dissipation	2.7	W
* $R_{TH}(\text{heatsink})$	Thermal resistance of the heatsink for $T_{amb} = 60^\circ\text{C}$ and $T_{j\text{max}} = 110^\circ\text{C}$ for $T_{amb} = 60^\circ\text{C}$ and $T_{j\text{max}} = 120^\circ\text{C}$	11.5 14.5	$^\circ\text{C/W}$ $^\circ\text{C/W}$

\* Worst case condition.

Figure 5 : Application Circuit for 110° CTV Set ( $R_y = 5.9\Omega$  ;  $L_y = 10\text{ mH}$  ;  $I_y = 1.95\text{ A}_{PP}$ )



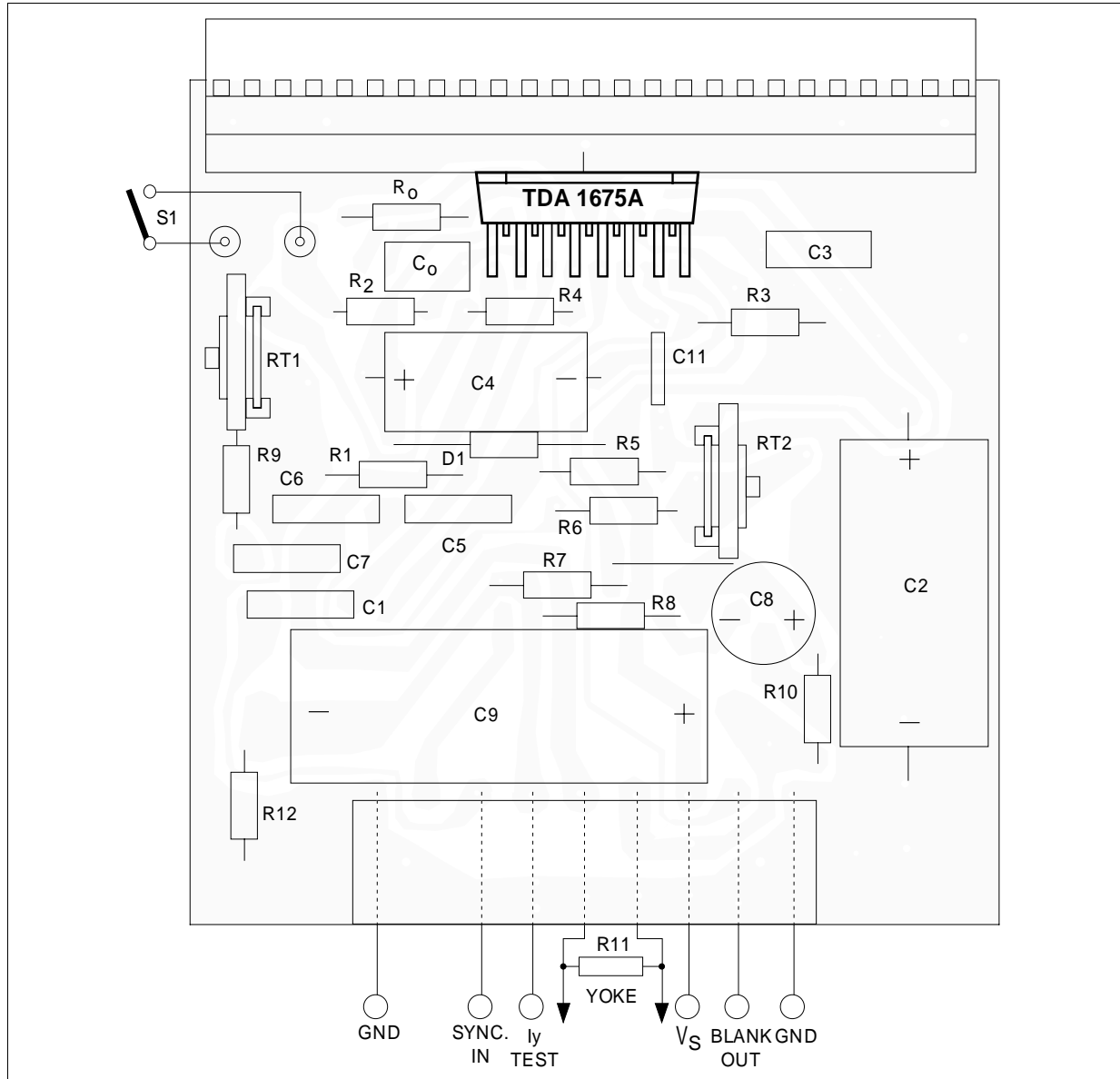
\* The value depends on the characteristics of the CRT. The value shown is indicative only.

TYPICAL PERFORMANCE

Symbol	Parameter	Value	Unit
$V_s$	Minimum supply voltage	24	V
$I_s$	Supply current	285	mA
$t_{FLY}$	Flyback time	0.6	ms
$t_{BLKG}$	Banking time	1.4	ms
$f_o$	Free running frequency	43.5	Hz
* $P_{TOT}$	Power dissipation	4.3	W
* $R_{TH}(\text{heatsink})$	Thermal resistance of the heatsink for $T_{amb} = 60^\circ\text{C}$ and $T_{jmax} = 110^\circ\text{C}$ for $T_{amb} = 60^\circ\text{C}$ and $T_{jmax} = 120^\circ\text{C}$	6.5 8.5	$^\circ\text{C/W}$ $^\circ\text{C/W}$

\* Worst case condition.

Figure 6 : PC Board and Components Layout for the Application Circuits of Figures 3, 4 and 5 (1 : 1 scale)



1675A-11.EPS

**APPLICATION INFORMATION** (Refer to the block diagram)

**Oscillator and sync gate** (Clock generation)

The oscillator is obtained by means of an integrator driven by a two threshold circuit that switches  $R_0$  high or low so allowing the charge or the discharge of  $C_0$  under constant current conditions.

The Sync input pulse at the Sync gate lowers the level of the upper threshold and then it controls the period duration. A clock pulse is generated.

**Pin 4** is the inverting input of the amplifier used as integrator.

**Pin 6** is the output of the switch driven by the internal clock pulse generated by the threshold circuits.

**Pin 3** is the output of the amplifier.

**Pin 5** is the input for sync pulses (positive)

**Ramp generator and buffer stage**

A current mirror, the current intensity of which can be externally adjusted, charges one capacitor producing a linear voltage ramp.

The internal clock pulse stops the increasing ramp by a very fast discharge of the capacitor a new voltage ramp is immediately allowed.



The required value of the capacitance is obtained by means of the series of two capacitors  $C_a$  and  $C_b$ , which allow the linearity control by applying a feedback between the output of the buffer and the tapping from  $C_a$  and  $C_b$ .

**Pin 7** The resistance between pin 7 and ground defines the current mirror current and than the height of the scanning.

**Pin 9** is the output of the current mirror that charges the series of  $C_a$  and  $C_b$ . This pin is also the input of the buffer stage.

**Pin 10** is the output of the buffer stage and it is internally coupled to the inverting input of the power amplifier through R1.

### Power amplifier

This amplifier is a voltage-to-current power converter, the transconductance of which is externally defined by means of a negative current feedback.

The output stage of the power amplifier is supplied by the main supply during the trace period, and by the flyback generator circuit during the most of the duration of the flyback time. The internal clock turns off the lower power output stage to start the flyback.

The power output stage is thermally protected by sensing the junction temperature and then by putting off the current sources of the power stage.

**Pin 12** is the inverting input of the amplifier. An external network,  $R_a$  and  $R_b$ , defines the DC level across  $C_y$  so allowing a correct centering of the output voltage. The series network  $R_c$  and  $C_c$ , in conjunction with  $R_a$  and  $R_b$ , applies at the feedback input I2 a small part of the parabola, available across  $C_y$ , and AC feedback voltage, taken across  $R_f$ . The external components  $R_c$ ,  $R_a$  and  $R_d$ , produce the linearity correction on the output scanning currently and their values must be optimized for each type of CRT.

**Pin 11** is the non-inverting input. At this pin the non-inverting input reference voltage supplied by the voltage regulator can be measured. A capacitor must be connected to increase the performances from the noise point of view.

**Pin 1** is the output of the power amplifier and it drives the yoke by a negative slope cur-

rent ramply.  $R_e$  and the Boucherot cell are used to stabilize the power amplifier.

**Pin 2** The supply of the power output stage is forced at this pin. During the trace time the supply voltage is obtained from the main supply voltage  $V_S$  by a diode, while during the retrace time this pin is supplied from the flyback generator.

### Flyback generator

This circuit supplies both the power amplifier output stage and the yoke during the most of the duration of the flyback time (retrace).

The internal clock opens the loop of the amplifier and lets pin 1 floating so allowing the rising of the flyback. Crossing the main supply voltage at pin 14, the flyback pulse front end drives the flyback generator in such a way allowing its output to reach and overcome the main supply voltage, starting from a low condition forced during the trace period.

An integrated diode stops the rising of this output increase and the voltage jump is transferred by means of capacitor  $C_f$  at the supply voltage pin of the power stage (pin 2).

When the current across the yoke changes its direction, the output of the flyback generator falls down to the main supply voltage and it is stopped by means of the saturated output darlington at a high level. At this time the flyback generator starts to supply the power output amplifier output stage by a diode inside the device. The flyback generator supplies the yoke too.

Later, the increasing flyback current reaches the peak value and then the flyback time is completed: the trace period restarts. The output of the power amplifier (pin 1) falls under the main supply voltage and the output of the flyback generator is driven for a low state so allowing the flyback capacitor  $C_f$  to restore the energy lost during the retrace.

**Pin 15** is the output of the flyback generator that, when driven, jumps from low to high condition. An external capacitor  $C_f$  transfers the jump to pin 2 (see pin 2).

### Blanking generator and CRT protection

This circuit is a pulse shaper and its output goes high during the blanking period or for CRT protection. The input is internally driven by the clock pulse that defines the width of the blanking time

when a flyback pulse has been generated. If the flyback pulse is absent (short circuit or open circuit of the yoke), the blanking output remains high so allowing the CRT protection.

**Pin 13** is an open collector output where the blanking pulse is available.

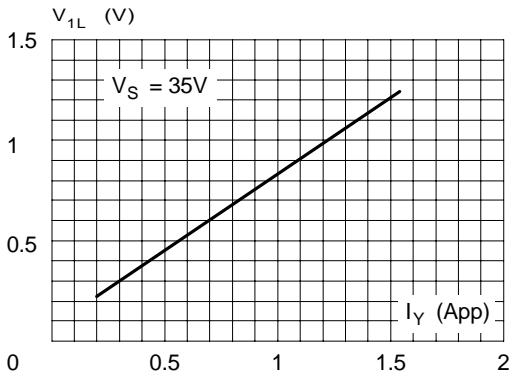
**Voltage regulator**

The main supply voltage  $V_S$ , is lowered and regulated internally to allow the required reference voltages for all the above described blocks.

**Pin 14** is the main supply voltage input  $V_S$  (positive).

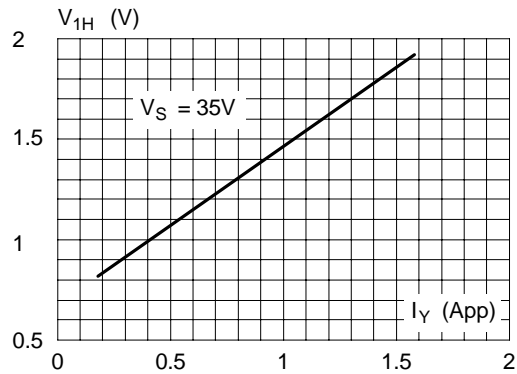
**Pin 8** is the GND pin or the negative input of  $V_S$

**Figure 7 :** Output Saturation Voltage to Ground vs. Peak Output Current



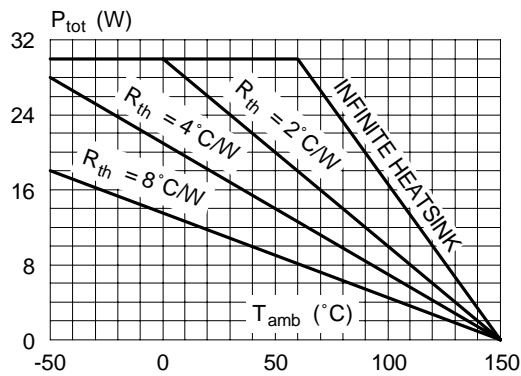
1675A-12.EPS

**Figure 8 :** Output Saturation Voltage to Supply versus Output Peak Current



1675A-13.EPS

**Figure 9 :** Maximum allowable Power Dissipation vs. Ambient Temperature



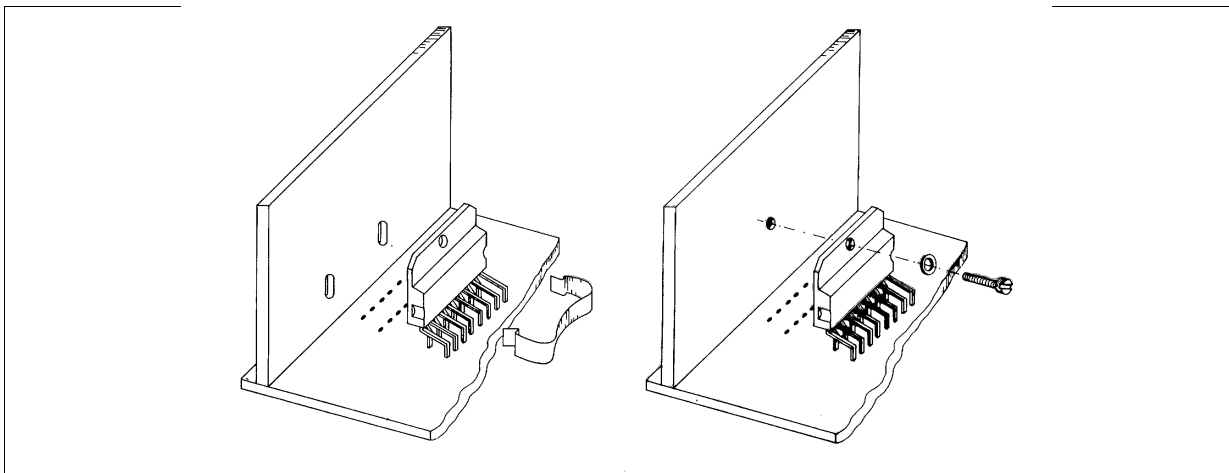
1675A-14.EPS

**MOUNTING INSTRUCTIONS**

The power dissipated in the circuit must be removed by adding an external heatsink. Thanks to the MULTIWATT® package attaching the heatsink is very simple, a screw or a compression

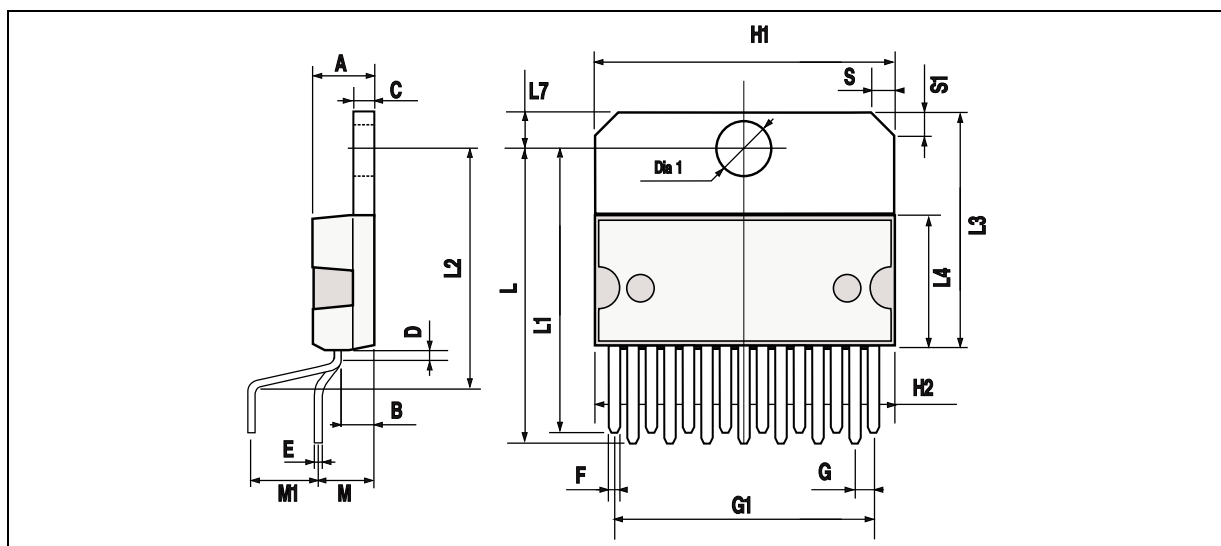
spring (clip) being sufficient. Between the heatsink and the package, it is better to insert a layer of silicon grease, to optimize the thermal contact; no electrical isolation is needed between the two surfaces.

**Figure 10 :** Mounting Examples



1675A-15.IMG

## PACKAGE MECHANICAL DATA : 15 PINS - PLASTIC MULTIWATT



PMMUL15V/EP5

Dimensions	Millimeters			Inches		
	Min.	Typ.	Max.	Min.	Typ.	Max.
A			5			0.197
B			2.65			0.104
C			1.6			0.063
D		1			0.039	
E	0.49		0.55	0.019		0.022
F	0.66		0.75	0.026		0.030
G	1.14	1.27	1.4	0.045	0.050	0.055
G1	17.57	17.78	17.91	0.692	0.700	0.705
H1	19.6			0.772		
H2			20.2			0.795
L	22.1		22.6	0.870		0.890
L1	22		22.5	0.866		0.886
L2	17.65		18.1	0.695		0.713
L3	17.25	17.5	17.75	0.679	0.689	0.699
L4	10.3	10.7	10.9	0.406	0.421	0.429
L7	2.65		2.9	0.104		0.114
M	4.2	4.3	4.6	0.165	0.169	0.181
M1	4.5	5.08	5.3	0.177	0.200	0.209
S	1.9		2.6	0.075		0.102
S1	1.9		2.6	0.075		0.102
Dia. 1	3.65		3.85	0.144		0.152

MUL15V-TBL

Information furnished is believed to be accurate and reliable. However, SGS-THOMSON Microelectronics assumes no responsibility for the consequences of use of such information nor for any infringement of patents or other rights of third parties which may result from its use. No licence is granted by implication or otherwise under any patent or patent rights of SGS-THOMSON Microelectronics. Specifications mentioned in this publication are subject to change without notice. This publication supersedes and replaces all information previously supplied. SGS-THOMSON Microelectronics products are not authorized for use as critical components in life support devices or systems without express written approval of SGS-THOMSON Microelectronics.

© 1994 SGS-THOMSON Microelectronics - All Rights Reserved

Purchase of I<sup>2</sup>C Components of SGS-THOMSON Microelectronics, conveys a license under the Philips I<sup>2</sup>C Patent. Rights to use these components in a I<sup>2</sup>C system, is granted provided that the system conforms to the I<sup>2</sup>C Standard Specifications as defined by Philips.

SGS-THOMSON Microelectronics GROUP OF COMPANIES

Australia - Brazil - China - France - Germany - Hong Kong - Italy - Japan - Korea - Malaysia - Malta - Morocco  
The Netherlands - Singapore - Spain - Sweden - Switzerland - Taiwan - Thailand - United Kingdom - U.S.A.