

# TPS77701, TPS77715, TPS77718, TPS77725, TPS77733 WITH RESET OUTPUT TPS77801, TPS77815, TPS77818, TPS77825, TPS77833 WITH PG OUTPUT FAST-TRANSIENT-RESPONSE 750-mA LOW-DROPOUT VOLTAGE REGULATORS

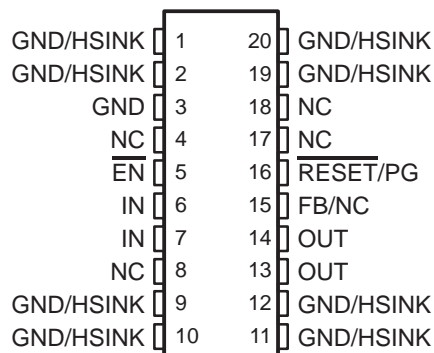
SLVS230A – SEPTEMBER 1999 – REVISED SEPTEMBER 1999

- Open Drain Power-On Reset With 200-ms Delay (TPS777xx)
- Open Drain Power Good (TPS778xx)
- 750-mA Low-Dropout Voltage Regulator
- Available in 1.5-V, 1.8-V, 2.5-V, 3.3-V Fixed Output and Adjustable Versions
- Dropout Voltage to 260 mV (Typ) at 750 mA (TPS77x33)
- Ultra Low 85  $\mu$ A Typical Quiescent Current
- Fast Transient Response
- 2% Tolerance Over Specified Conditions for Fixed-Output Versions
- 8-Pin SOIC and 20-Pin TSSOP PowerPAD™ (PWP) Package
- Thermal Shutdown Protection

## description

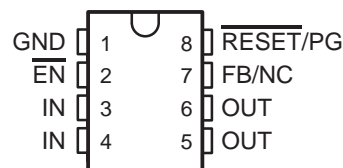
TPS777xx and TPS778xx are designed to have a fast transient response and be stable with a 10- $\mu$ F low ESR capacitors. This combination provides high performance at a reasonable cost.

PWP PACKAGE  
(TOP VIEW)

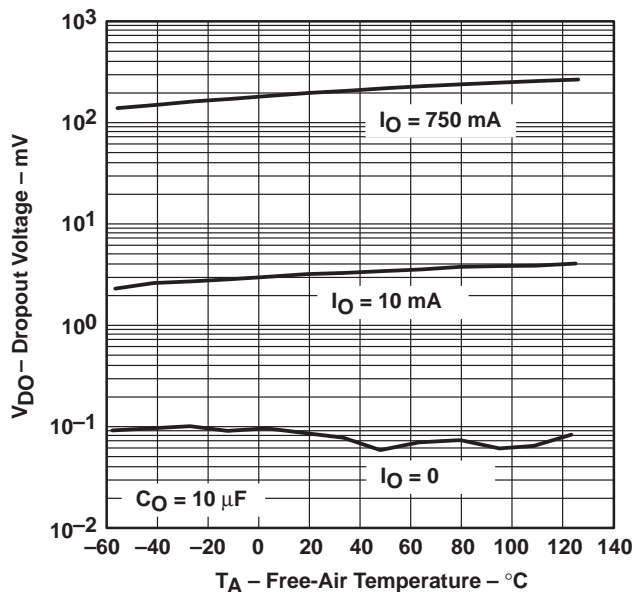


NC – No internal connection

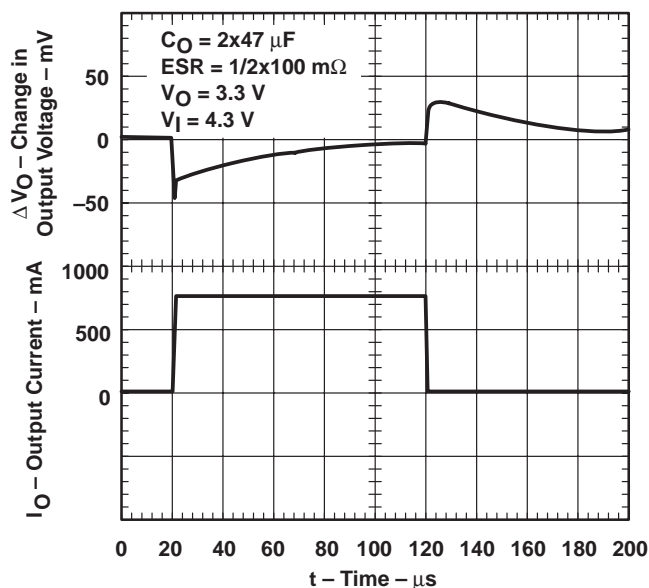
D PACKAGE  
(TOP VIEW)



TPS77x33  
DROPOUT VOLTAGE  
vs  
FREE-AIR TEMPERATURE



TPS77x33  
LOAD TRANSIENT RESPONSE



Please be aware that an important notice concerning availability, standard warranty, and use in critical applications of Texas Instruments semiconductor products and disclaimers thereto appears at the end of this data sheet.

PowerPAD is a trademark of Texas Instruments Incorporated.

PRODUCTION DATA information is current as of publication date. Products conform to specifications per the terms of Texas Instruments standard warranty. Production processing does not necessarily include testing of all parameters.

**TEXAS  
INSTRUMENTS**

POST OFFICE BOX 655303 • DALLAS, TEXAS 75265

Copyright © 1999, Texas Instruments Incorporated

**TPS77701, TPS77715, TPS77718, TPS77725, TPS77733 WITH  $\overline{\text{RESET}}$  OUTPUT**  
**TPS77801, TPS77815, TPS77818, TPS77825, TPS77833 WITH PG OUTPUT**  
**FAST-TRANSIENT-RESPONSE 750-mA LOW-DROPOUT VOLTAGE REGULATORS**

SLVS230A – SEPTEMBER 1999 – REVISED SEPTEMBER 1999

**description (continued)**

Because the PMOS device behaves as a low-value resistor, the dropout voltage is very low (typically 260 mV at an output current of 750 mA for the TPS77x33) and is directly proportional to the output current. Additionally, since the PMOS pass element is a voltage-driven device, the quiescent current is very low and independent of output loading (typically 85  $\mu\text{A}$  over the full range of output current, 0 mA to 750 mA). These two key specifications yield a significant improvement in operating life for battery-powered systems. This LDO family also features a sleep mode; applying a TTL high signal to  $\overline{\text{EN}}$  (enable) shuts down the regulator, reducing the quiescent current to 1  $\mu\text{A}$  at  $T_J = 25^\circ\text{C}$ .

The  $\overline{\text{RESET}}$  output of the TPS777xx initiates a reset in microcomputer and microprocessor systems in the event of an undervoltage condition. An internal comparator in the TPS777xx monitors the output voltage of the regulator to detect an undervoltage condition on the regulated output voltage.

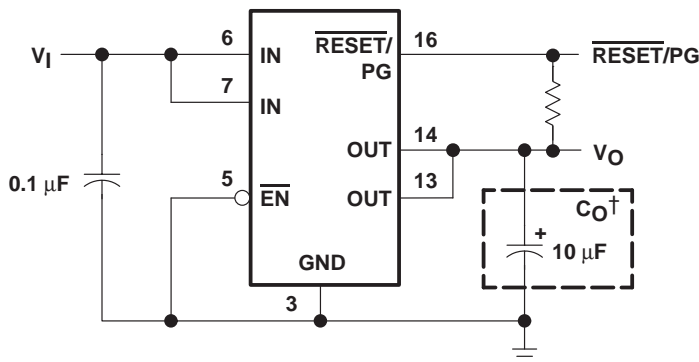
Power good (PG) of the TPS778xx is an active high output, which can be used to implement a power-on reset or a low-battery indicator.

The TPS777xx and TPS778xx are offered in 1.5-V, 1.8-V, 2.5-V, and 3.3-V fixed-voltage versions and in an adjustable version (programmable over the range of 1.5 V to 5.5 V for TPS77701 option and 1.2 V to 5.5 V for TPS77801 option). Output voltage tolerance is specified as a maximum of 2% over line, load, and temperature ranges. The TPS777xx and TPS778xx families are available in 8 pin SOIC and 20 pin PWP packages.

**AVAILABLE OPTIONS**

$T_J$	OUTPUT VOLTAGE (V)	PACKAGED DEVICES			
	TYP	TSSOP (PWP)		SOIC (D)	
-40°C to 125°C	3.3	TPS77733PWP	TPS77833PWP	TPS77733D	TPS77833D
	2.5	TPS77725PWP	TPS77825PWP	TPS77725D	TPS77825D
	1.8	TPS77718PWP	TPS77818PWP	TPS77718D	TPS77818D
	1.5	TPS77715PWP	TPS77815PWP	TPS77715D	TPS77815D
	Adjustable 1.5 V to 5.5 V	TPS77701PWP	—	TPS77701D	—
	Adjustable 1.2 V to 5.5 V	—	TPS77801PWP	—	TPS77801D

The TPS77x01 is programmable using an external resistor divider (see application information). The D and PWP packages are available taped and reeled. Add an R suffix to the device type (e.g., TPS77701DR).



† See application information section for capacitor selection details.

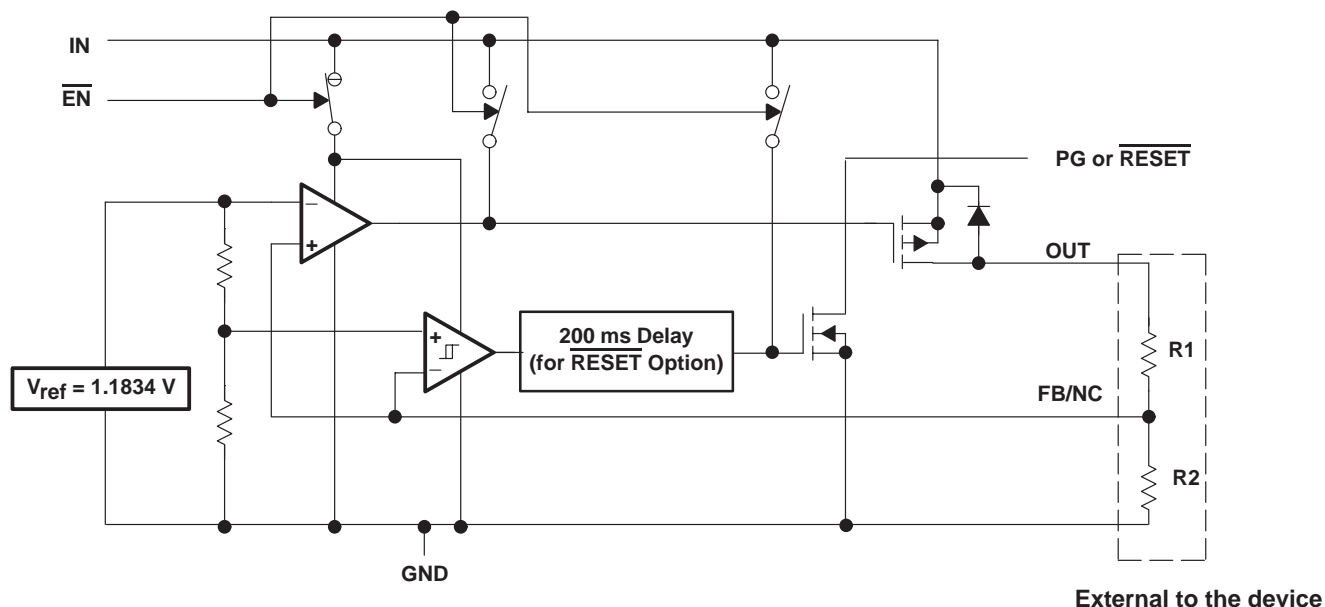
**Figure 1. Typical Application Configuration for Fixed Output Options**



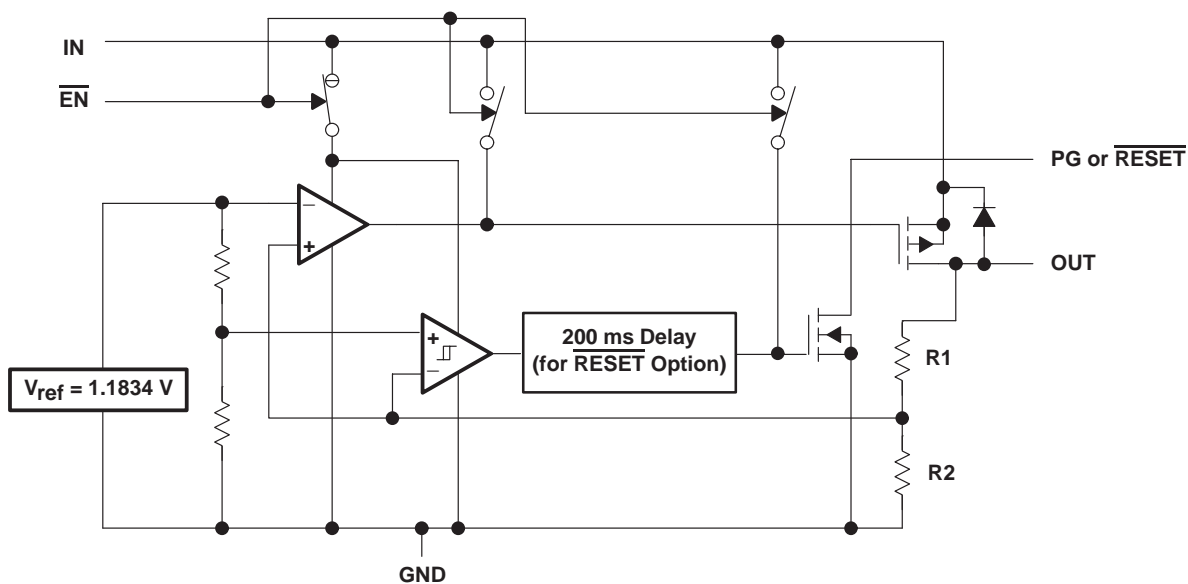
TPS77701, TPS77715, TPS77718, TPS77725, TPS77733 WITH  $\overline{\text{RESET}}$  OUTPUT  
 TPS77801, TPS77815, TPS77818, TPS77825, TPS77833 WITH PG OUTPUT  
 FAST-TRANSIENT-RESPONSE 750-mA LOW-DROPOUT VOLTAGE REGULATORS

SLVS230A – SEPTEMBER 1999 – REVISED SEPTEMBER 1999

functional block diagram—adjustable version



functional block diagram—fixed-voltage version



**TPS77701, TPS77715, TPS77718, TPS77725, TPS77733 WITH  $\overline{\text{RESET}}$  OUTPUT**  
**TPS77801, TPS77815, TPS77818, TPS77825, TPS77833 WITH PG OUTPUT**  
**FAST-TRANSIENT-RESPONSE 750-mA LOW-DROPOUT VOLTAGE REGULATORS**

SLVS230A – SEPTEMBER 1999 – REVISED SEPTEMBER 1999

**Terminal Functions – SOIC Package (TPS777xx)**

TERMINAL NAME	NO.	I/O	DESCRIPTION
$\overline{\text{EN}}$	2	I	Enable input
FB/NC	7	I	Feedback input voltage for adjustable device (no connect for fixed options)
GND	1		Regulator ground
IN	3, 4	I	Input voltage
OUT	5, 6	O	Regulated output voltage
$\overline{\text{RESET}}$	8	O	$\overline{\text{RESET}}$ output

**Terminal Functions – TSSOP Package (TPS777xx)**

TERMINAL NAME	NO.	I/O	DESCRIPTION
$\overline{\text{EN}}$	5	I	Enable input
FB/NC	15	I	Feedback input voltage for adjustable device (no connect for fixed options)
GND	3		Regulator ground
GND/HSINK	1, 2, 9, 10, 11, 12, 19, 20		Ground/heatsink
IN	6, 7	I	Input
NC	4, 8, 17, 18		No connect
OUT	13, 14	O	Regulated output voltage
$\overline{\text{RESET}}$	16	O	$\overline{\text{RESET}}$ output

**Terminal Functions – SOIC Package (TPS778xx)**

TERMINAL NAME	NO.	I/O	DESCRIPTION
$\overline{\text{EN}}$	2	I	Enable input
FB/NC	7	I	Feedback input voltage for adjustable device (no connect for fixed options)
GND	1		Regulator ground
IN	3, 4	I	Input voltage
OUT	5, 6	O	Regulated output voltage
PG	8	O	PG output

**Terminal Functions – TSSOP Package (TPS778xx)**

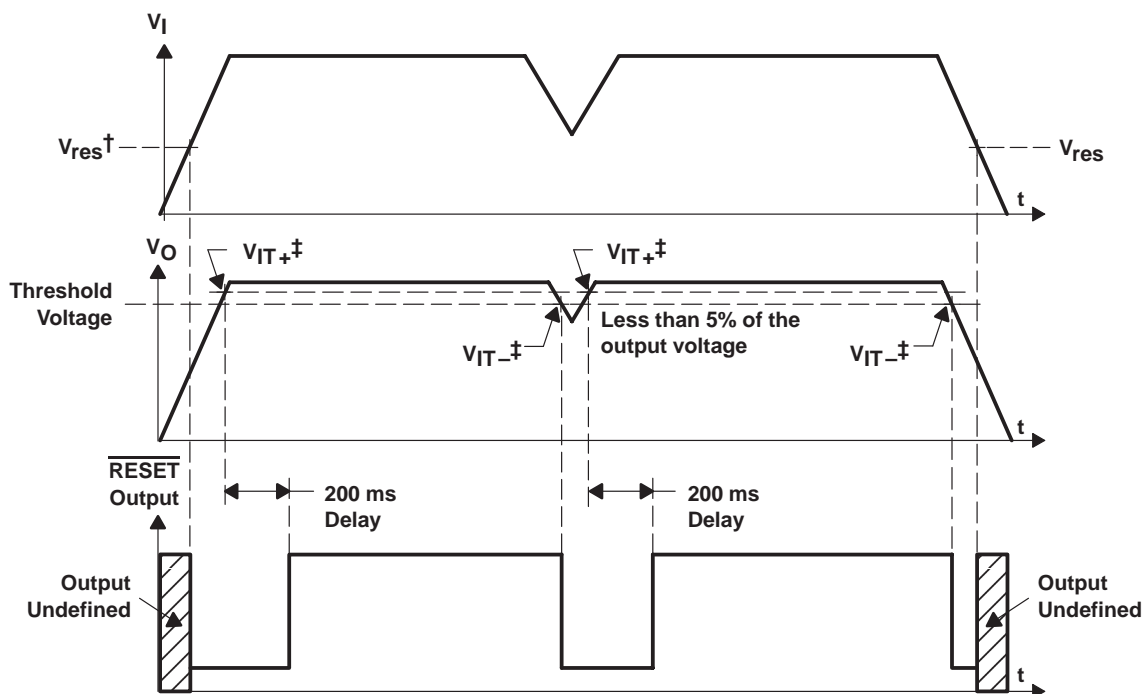
TERMINAL NAME	NO.	I/O	DESCRIPTION
$\overline{\text{EN}}$	5	I	Enable input
FB/NC	15	I	Feedback input voltage for adjustable device (no connect for fixed options)
GND	3		Regulator ground
GND/HSINK	1, 2, 9, 10, 11, 12, 19, 20		Ground/heatsink
IN	6, 7	I	Input
NC	4, 8, 17, 18		No connect
OUT	13, 14	O	Regulated output voltage
PG	16	O	PG output



TPS77701, TPS77715, TPS77718, TPS77725, TPS77733 WITH  $\overline{\text{RESET}}$  OUTPUT  
 TPS77801, TPS77815, TPS77818, TPS77825, TPS77833 WITH PG OUTPUT  
 FAST-TRANSIENT-RESPONSE 750-mA LOW-DROPOUT VOLTAGE REGULATORS

SLVS230A – SEPTEMBER 1999 – REVISED SEPTEMBER 1999

TPS777xx  $\overline{\text{RESET}}$  timing diagram



†  $V_{res}$  is the minimum input voltage for a valid  $\overline{\text{RESET}}$ . The symbol  $V_{res}$  is not currently listed within EIA or JEDEC standards for semiconductor symbology.

‡  $V_{IT-}$  – Trip voltage is typically 5% lower than the output voltage ( $95\%V_o$ ).  $V_{IT-}$  to  $V_{IT+}$  is the hysteresis voltage.

**TPS77701, TPS77715, TPS77718, TPS77725, TPS77733 WITH  $\overline{\text{RESET}}$  OUTPUT**  
**TPS77801, TPS77815, TPS77818, TPS77825, TPS77833 WITH PG OUTPUT**  
**FAST-TRANSIENT-RESPONSE 750-mA LOW-DROPOUT VOLTAGE REGULATORS**

SLVS230A – SEPTEMBER 1999 – REVISED SEPTEMBER 1999

**absolute maximum ratings over operating free-air temperature range (unless otherwise noted)†**

Input voltage range‡, $V_I$ .....	–0.3 V to 13.5 V
Voltage range at $\overline{\text{EN}}$ .....	–0.3 V to 16.5 V
Maximum $\overline{\text{RESET}}$ voltage (TPS777xx) .....	16.5 V
Maximum PG voltage (TPS778xx) .....	16.5 V
Peak output current .....	Internally limited
Output voltage, $V_O$ (OUT, FB) .....	7 V
Continuous total power dissipation .....	See dissipation rating tables
Operating virtual junction temperature range, $T_J$ .....	–40°C to 125°C
Storage temperature range, $T_{\text{stg}}$ .....	–65°C to 150°C
ESD rating, HBM .....	2 kV

† Stresses beyond those listed under “absolute maximum ratings” may cause permanent damage to the device. These are stress ratings only, and functional operation of the device at these or any other conditions beyond those indicated under “recommended operating conditions” is not implied. Exposure to absolute-maximum-rated conditions for extended periods may affect device reliability.

‡ All voltage values are with respect to network terminal ground.

**DISSIPATION RATING TABLE 1 – FREE-AIR TEMPERATURES**

PACKAGE	AIR FLOW (CFM)	$T_A < 25^\circ\text{C}$ POWER RATING	DERATING FACTOR ABOVE $T_A = 25^\circ\text{C}$	$T_A = 70^\circ\text{C}$ POWER RATING	$T_A = 85^\circ\text{C}$ POWER RATING
D	0	568 mW	5.68 mW/°C	312 mW	227 mW
	250	904 mW	9.04 mW/°C	497 mW	361 mW

**DISSIPATION RATING TABLE 2 – FREE-AIR TEMPERATURES**

PACKAGE	AIR FLOW (CFM)	$T_A < 25^\circ\text{C}$ POWER RATING	DERATING FACTOR ABOVE $T_A = 25^\circ\text{C}$	$T_A = 70^\circ\text{C}$ POWER RATING	$T_A = 85^\circ\text{C}$ POWER RATING
PWP#	0	2.9 W	23.5 mW/°C	1.9 W	1.5 W
	300	4.3 W	34.6 mW/°C	2.8 W	2.2 W
PWP	0	3 W	23.8 mW/°C	1.9 W	1.5 W
	300	7.2 W	57.9 mW/°C	4.6 W	3.8 W

# This parameter is measured with the recommended copper heat sink pattern on a 1-layer PCB, 5-in × 5-in PCB, 1 oz. copper, 2-in × 2-in coverage (4 in<sup>2</sup>).

|| This parameter is measured with the recommended copper heat sink pattern on a 8-layer PCB, 1.5-in × 2-in PCB, 1 oz. copper with layers 1, 2, 4, 5, 7, and 8 at 5% coverage (0.9 in<sup>2</sup>) and layers 3 and 6 at 100% coverage (6 in<sup>2</sup>). For more information, refer to TI technical brief SLMA002.

**recommended operating conditions**

		MIN	MAX	UNIT
Input voltage, $V_I$ ☆		2.7	10	V
Output voltage range, $V_O$	TPS77701	1.5	5.5	V
	TPS77801	1.2	5.5	
Output current, $I_O$ (Note 1)		0	750	mA
Operating virtual junction temperature, $T_J$ (Note 1)		–40	125	°C

☆ To calculate the minimum input voltage for your maximum output current, use the following equation:  $V_{I(\text{min})} = V_{O(\text{max})} + V_{\text{DO}(\text{max load})}$ .

NOTE 1: Continuous current and operating junction temperature are limited by internal protection circuitry, but it is not recommended that the device operate under conditions beyond those specified in this table for extended periods of time.



**TPS77701, TPS77715, TPS77718, TPS77725, TPS77733 WITH RESET OUTPUT  
TPS77801, TPS77815, TPS77818, TPS77825, TPS77833 WITH PG OUTPUT  
FAST-TRANSIENT-RESPONSE 750-mA LOW-DROPOUT VOLTAGE REGULATORS**

SLVS230A – SEPTEMBER 1999 – REVISED SEPTEMBER 1999

**electrical characteristics over recommended operating free-air temperature range,  
 $V_i = V_{O(\text{typ})} + 1 \text{ V}$ ,  $I_O = 1 \text{ mA}$ ,  $\overline{\text{EN}} = 0 \text{ V}$ ,  $C_O = 10 \mu\text{F}$  (unless otherwise noted)**

PARAMETER		TEST CONDITIONS	MIN	TYP	MAX	UNIT		
Output voltage (10 $\mu\text{A}$ to 750 mA load) (see Note 2)	TPS77701	$1.5 \text{ V} \leq V_O \leq 5.5 \text{ V}$ , $T_J = 25^\circ\text{C}$		$V_O$		V		
		$1.5 \text{ V} \leq V_O \leq 5.5 \text{ V}$ , $T_J = -40^\circ\text{C}$ to $125^\circ\text{C}$	$0.98V_O$		$1.02V_O$			
	TPS77801	$1.2 \text{ V} \leq V_O \leq 5.5 \text{ V}$ , $T_J = 25^\circ\text{C}$		$V_O$				
		$1.2 \text{ V} \leq V_O \leq 5.5 \text{ V}$ , $T_J = -40^\circ\text{C}$ to $125^\circ\text{C}$	$0.98V_O$		$1.02V_O$			
	TPS77x15	$T_J = 25^\circ\text{C}$ , $2.7 \text{ V} < V_{\text{IN}} < 10 \text{ V}$		1.5				
		$T_J = -40^\circ\text{C}$ to $125^\circ\text{C}$ , $2.7 \text{ V} < V_{\text{IN}} < 10 \text{ V}$	1.470		1.530			
	TPS77x18	$T_J = 25^\circ\text{C}$ , $2.8 \text{ V} < V_{\text{IN}} < 10 \text{ V}$		1.8				
		$T_J = -40^\circ\text{C}$ to $125^\circ\text{C}$ , $2.8 \text{ V} < V_{\text{IN}} < 10 \text{ V}$	1.764		1.836			
	TPS77x25	$T_J = 25^\circ\text{C}$ , $3.5 \text{ V} < V_{\text{IN}} < 10 \text{ V}$		2.5				
		$T_J = -40^\circ\text{C}$ to $125^\circ\text{C}$ , $3.5 \text{ V} < V_{\text{IN}} < 10 \text{ V}$	2.450		2.550			
	TPS77x33	$T_J = 25^\circ\text{C}$ , $4.3 \text{ V} < V_{\text{IN}} < 10 \text{ V}$		3.3				
		$T_J = -40^\circ\text{C}$ to $125^\circ\text{C}$ , $4.3 \text{ V} < V_{\text{IN}} < 10 \text{ V}$	3.234		3.366			
	Quiescent current (GND current) (see Note 2)		$10 \mu\text{A} < I_O < 750 \text{ mA}$ , $T_J = 25^\circ\text{C}$		85			$\mu\text{A}$
			$I_O = 750 \text{ mA}$ , $T_J = -40^\circ\text{C}$ to $125^\circ\text{C}$				125	
Output voltage line regulation ( $\Delta V_O/V_O$ ) (see Notes 2 and 3)		$V_O + 1 \text{ V} < V_I \leq 10 \text{ V}$ , $T_J = 25^\circ\text{C}$		0.01		%/V		
Load regulation				3		mV		
Output noise voltage		BW = 300 Hz to 50 kHz, $C_O = 10 \mu\text{F}$ , $T_J = 25^\circ\text{C}$		190		$\mu\text{V}_{\text{rms}}$		
Output current Limit		$V_O = 0 \text{ V}$		1.7	2	A		
Thermal shutdown junction temperature				150		$^\circ\text{C}$		
Standby current		$\overline{\text{EN}} = V_I$ , $T_J = 25^\circ\text{C}$ , $2.7 \text{ V} < V_I < 10 \text{ V}$		1		$\mu\text{A}$		
		$\overline{\text{EN}} = V_I$ , $T_J = -40^\circ\text{C}$ to $125^\circ\text{C}$ , $2.7 \text{ V} < V_I < 10 \text{ V}$			10	$\mu\text{A}$		
FB input current	TPS77x01	FB = 1.5 V		2		nA		
High level enable input voltage				1.7		V		
Low level enable input voltage					0.9	V		
Power supply ripple rejection (see Note 2)		$f = 1 \text{ KHz}$ , $C_O = 10 \mu\text{F}$ , $T_J = 25^\circ\text{C}$		60		dB		
Reset (TPS777xx)	Minimum input voltage for valid RESET	$I_O(\text{RESET}) = 300\mu\text{A}$		1.1		V		
	Trip threshold voltage	$V_O$ decreasing	92		98	% $V_O$		
	Hysteresis voltage	Measured at $V_O$		0.5		% $V_O$		
	Output low voltage	$V_I = 2.7 \text{ V}$ , $I_O(\text{RESET}) = 1 \text{ mA}$		0.15	0.4	V		
	Leakage current	$V(\text{RESET}) = 5 \text{ V}$			1	$\mu\text{A}$		
	RESET time-out delay			200		ms		
PG (TPS778xx)	Minimum input voltage for valid PG	$I_O(\text{PG}) = 300\mu\text{A}$		1.1		V		
	Trip threshold voltage	$V_O$ decreasing	92		98	% $V_O$		
	Hysteresis voltage	Measured at $V_O$		0.5		% $V_O$		
	Output low voltage	$V_I = 2.7 \text{ V}$ , $I_O(\text{PG}) = 1 \text{ mA}$		0.15	0.4	V		
	Leakage current	$V(\text{PG}) = 5 \text{ V}$			1	$\mu\text{A}$		

NOTE 2: Minimum IN operating voltage is 2.7 V or  $V_{O(\text{typ})} + 1 \text{ V}$ , whichever is greater. Maximum IN voltage 10V.



**TPS77701, TPS77715, TPS77718, TPS77725, TPS77733 WITH  $\overline{\text{RESET}}$  OUTPUT**  
**TPS77801, TPS77815, TPS77818, TPS77825, TPS77833 WITH PG OUTPUT**  
**FAST-TRANSIENT-RESPONSE 750-mA LOW-DROPOUT VOLTAGE REGULATORS**

SLVS230A – SEPTEMBER 1999 – REVISED SEPTEMBER 1999

**electrical characteristics over recommended operating free-air temperature range,  $V_i = V_{O(\text{typ})} + 1 \text{ V}$ ,  $I_O = 1 \text{ mA}$ ,  $\overline{\text{EN}} = 0 \text{ V}$ ,  $C_O = 10 \mu\text{F}$  (unless otherwise noted) (continued)**

PARAMETER		TEST CONDITIONS	MIN	TYP	MAX	UNIT
Input current (EN)		$\overline{\text{EN}} = 0 \text{ V}$	-1	0	1	$\mu\text{A}$
		$\overline{\text{EN}} = V_I$	-1		1	
Dropout voltage (See Note 4)	TPS77733	$I_O = 750 \text{ mA}$ , $T_J = 25^\circ\text{C}$		260		mV
		$I_O = 750 \text{ mA}$ , $T_J = -40^\circ\text{C to } 125^\circ\text{C}$			427	
	TPS77833	$I_O = 750 \text{ mA}$ , $T_J = 25^\circ\text{C}$		260		
		$I_O = 750 \text{ mA}$ , $T_J = -40^\circ\text{C to } 125^\circ\text{C}$			427	

NOTES: 3. If  $V_O \leq 1.8 \text{ V}$  then  $V_{i\text{min}} = 2.7 \text{ V}$ ,  $V_{i\text{max}} = 10 \text{ V}$ :

$$\text{Line Reg. (mV)} = (\%/V) \times \frac{V_O(V_{i\text{max}} - 2.7 \text{ V})}{100} \times 1000$$

If  $V_O \geq 2.5 \text{ V}$  then  $V_{i\text{min}} = V_O + 1 \text{ V}$ ,  $V_{i\text{max}} = 10 \text{ V}$ :

$$\text{Line Reg. (mV)} = (\%/V) \times \frac{V_O(V_{i\text{max}} - (V_O + 1 \text{ V}))}{100} \times 1000$$

4. IN voltage equals  $V_{O(\text{Typ})} - 100 \text{ mV}$ ; TPS77x01 output voltage set to 3.3 V nominal with external resistor divider. TPS77x15, TPS77x18, and TPS77x25 dropout voltage limited by input voltage range limitations (i.e., TPS77x33 input voltage needs to drop to 3.2 V for purpose of this test).

**Table of Graphs**

		FIGURE	
$V_O$	Output voltage	vs Output current	2, 3, 4
		vs Free-air temperature	5, 6, 7
	Ground current	vs Free-air temperature	8
	Power supply ripple rejection	vs Frequency	9
	Output spectral noise density	vs Frequency	10
$Z_O$	Output impedance	vs Frequency	11
$V_{DO}$	Dropout voltage	vs Input voltage	12
		vs Free-air temperature	13
	Line transient response		14, 16
	Load transient response		15, 17
	Output voltage	vs Time	18
	Equivalent series resistance (ESR)	vs Output current	20 – 23





TYPICAL CHARACTERISTICS

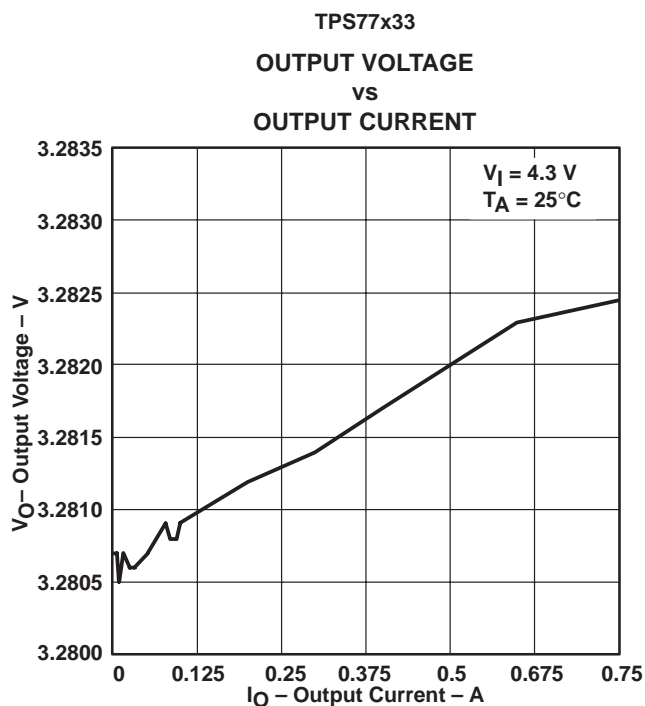


Figure 2

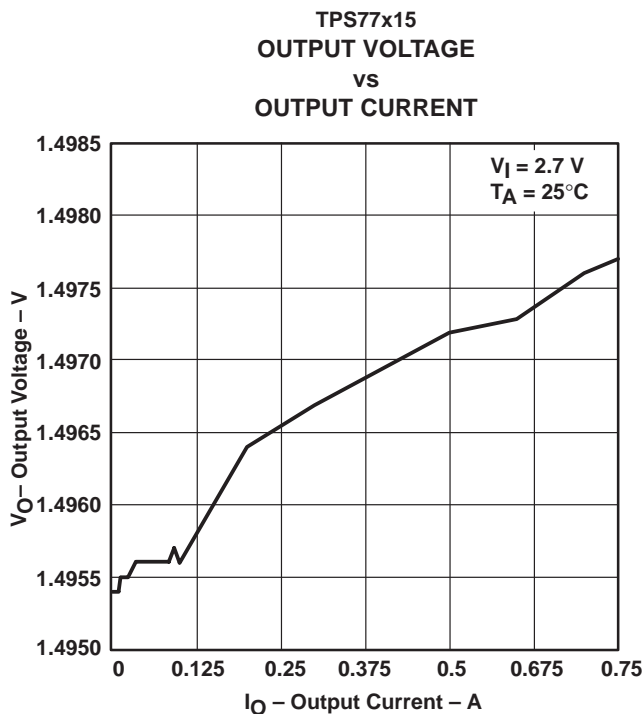


Figure 3

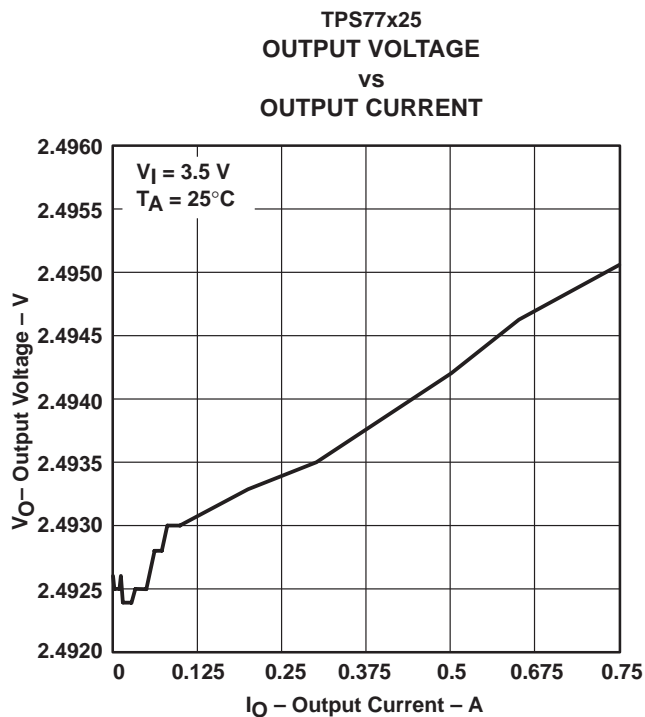


Figure 4

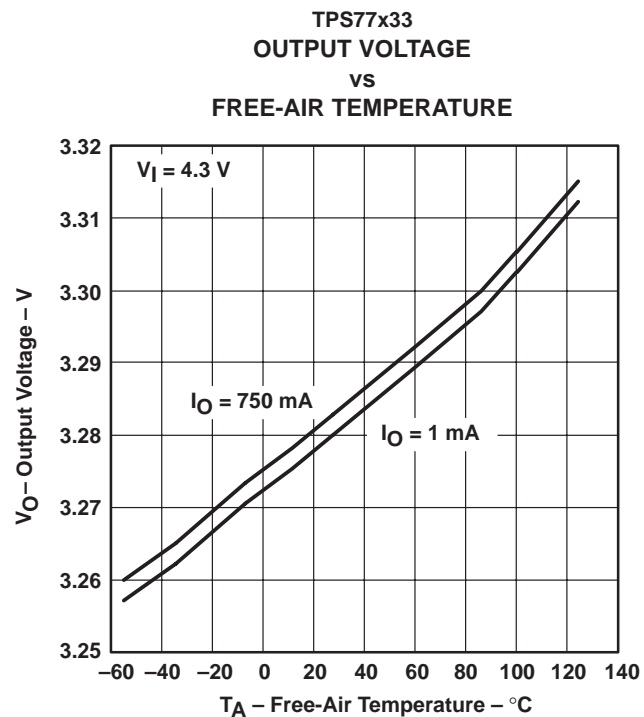


Figure 5

TPS77701, TPS77715, TPS77718, TPS77725, TPS77733 WITH  $\overline{\text{RESET}}$  OUTPUT  
 TPS77801, TPS77815, TPS77818, TPS77825, TPS77833 WITH PG OUTPUT  
**FAST-TRANSIENT-RESPONSE 750-mA LOW-DROPOUT VOLTAGE REGULATORS**

SLVS230A – SEPTEMBER 1999 – REVISED SEPTEMBER 1999

**TYPICAL CHARACTERISTICS**

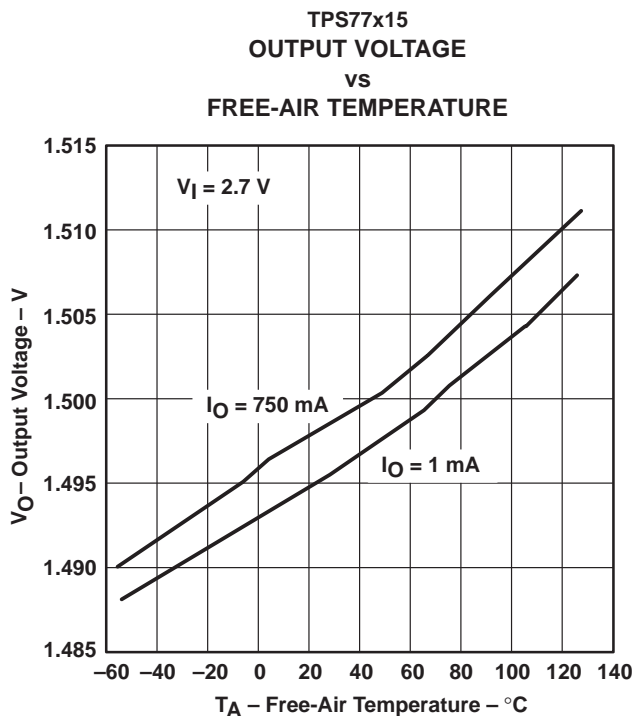


Figure 6

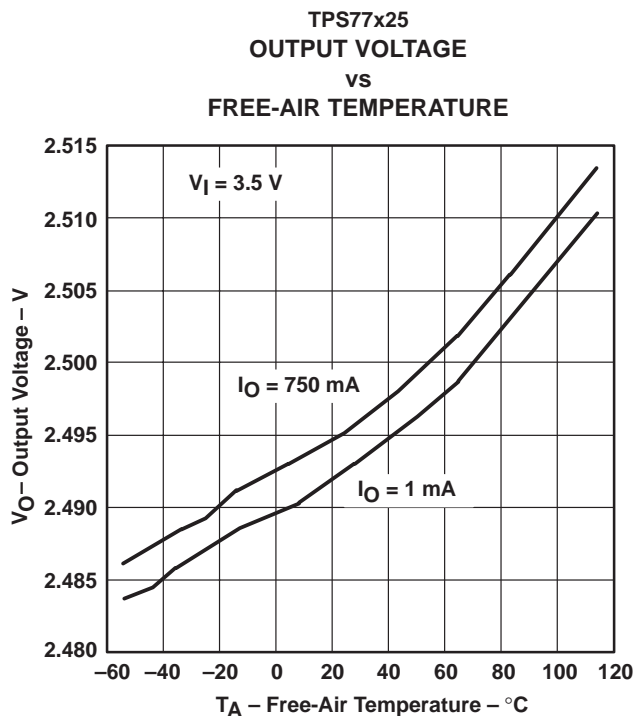


Figure 7

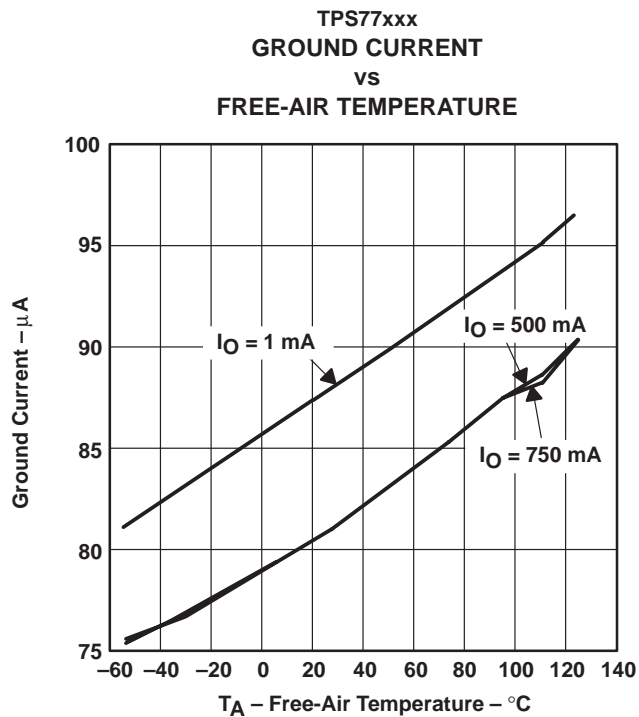


Figure 8

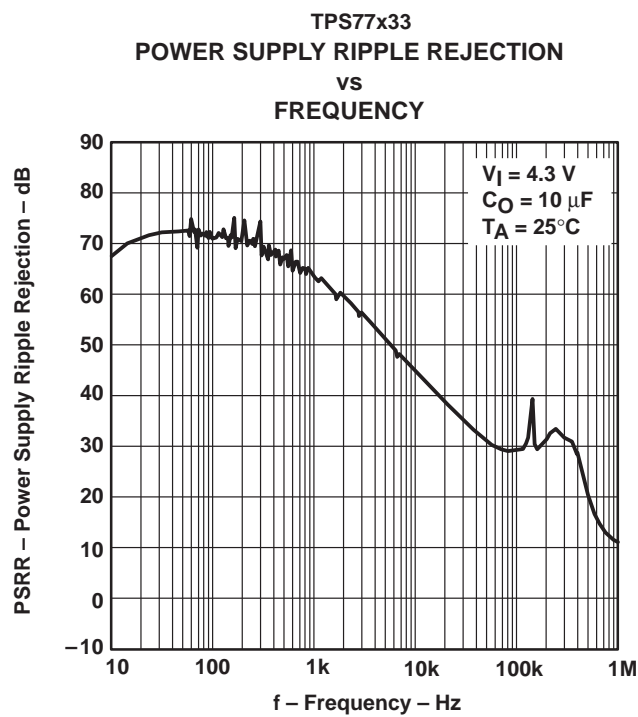


Figure 9



TYPICAL CHARACTERISTICS

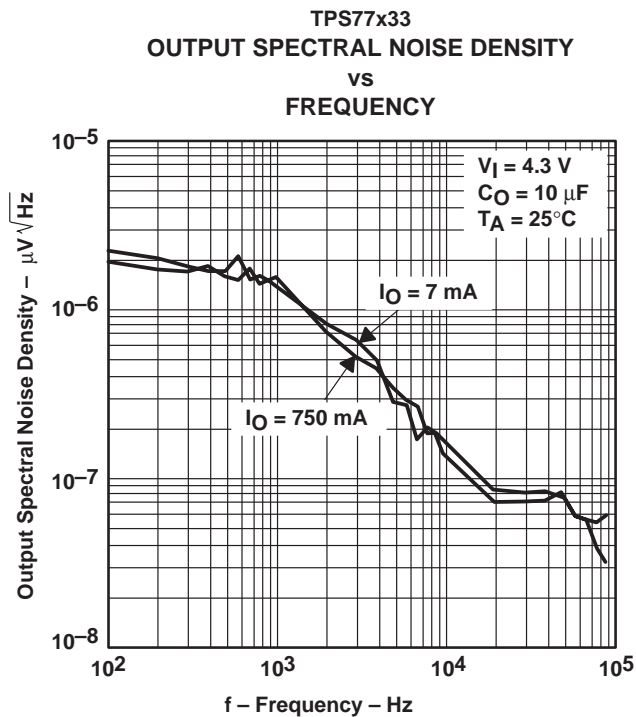


Figure 10

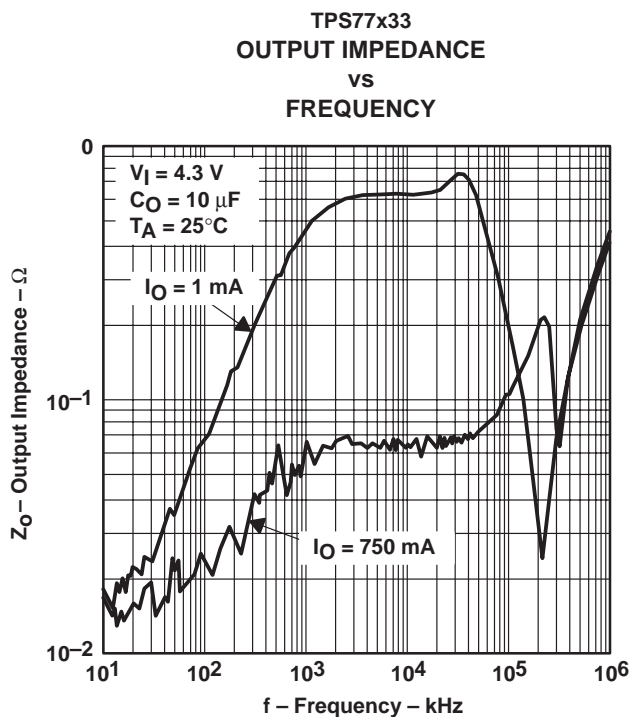


Figure 11

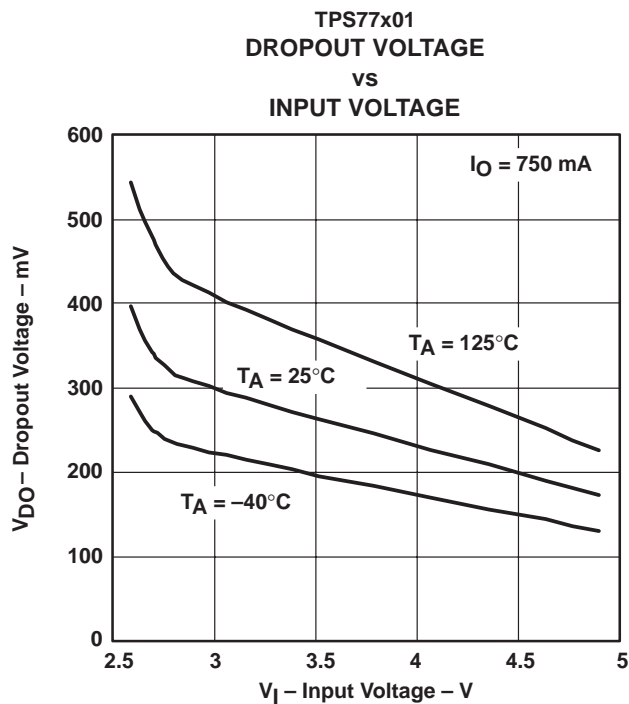


Figure 12

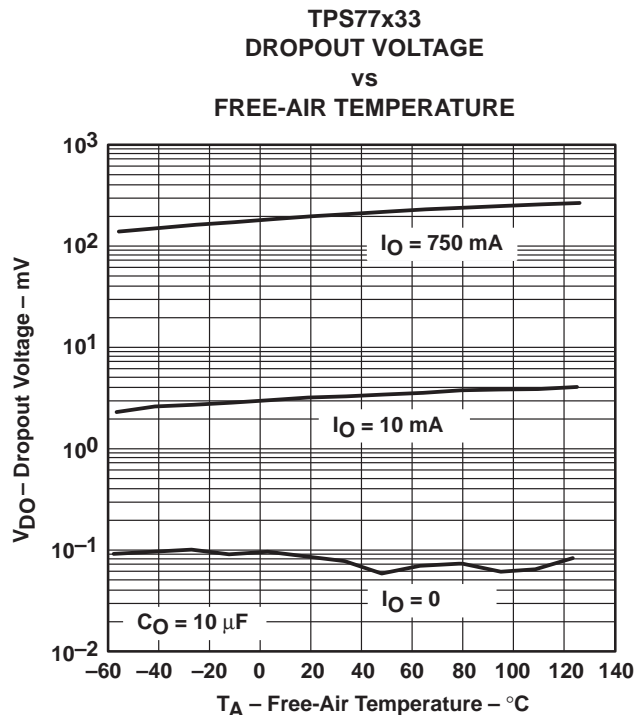


Figure 13

TPS77701, TPS77715, TPS77718, TPS77725, TPS77733 WITH RESET OUTPUT  
 TPS77801, TPS77815, TPS77818, TPS77825, TPS77833 WITH PG OUTPUT  
 FAST-TRANSIENT-RESPONSE 750-mA LOW-DROPOUT VOLTAGE REGULATORS

SLVS230A – SEPTEMBER 1999 – REVISED SEPTEMBER 1999

TYPICAL CHARACTERISTICS

TPS77x15  
 LINE TRANSIENT RESPONSE

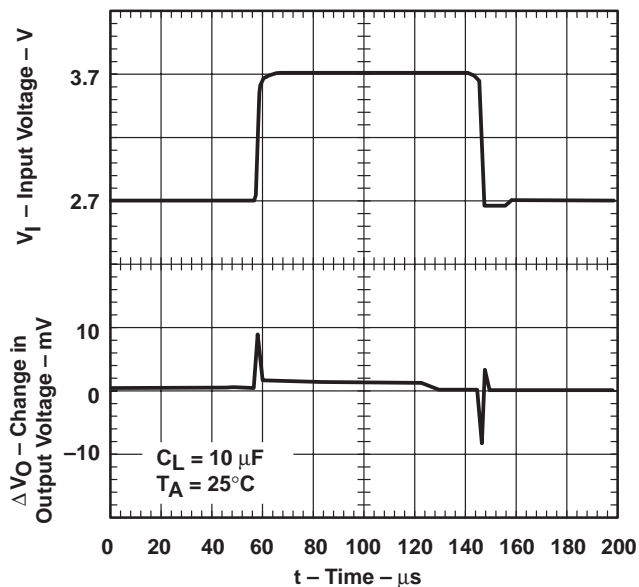


Figure 14

TPS77x15  
 LOAD TRANSIENT RESPONSE

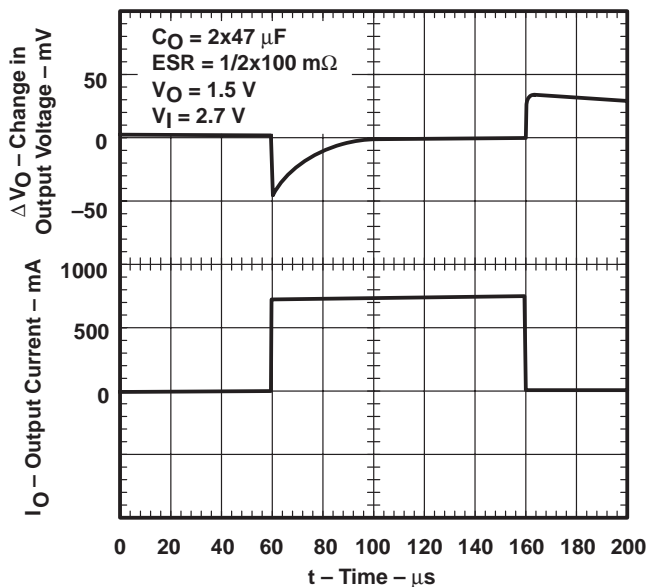


Figure 15

TPS77x33  
 LINE TRANSIENT RESPONSE

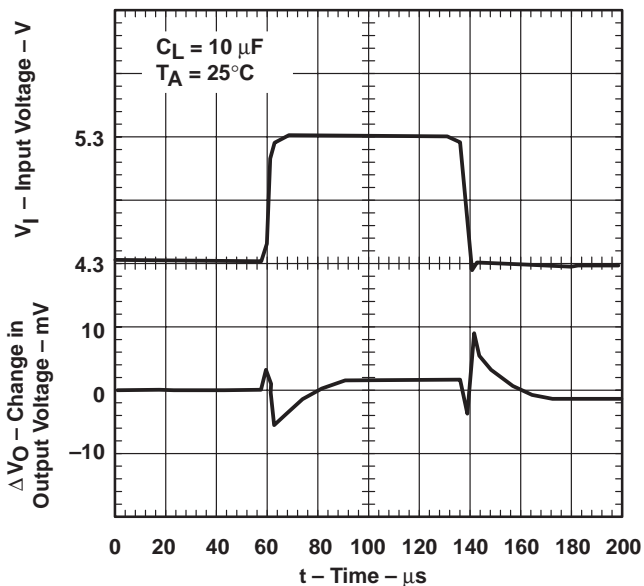


Figure 16

TPS77x33  
 LOAD TRANSIENT RESPONSE

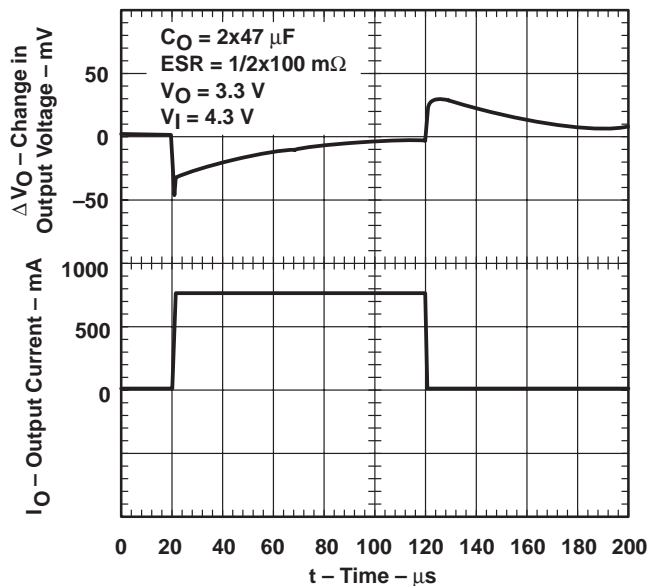


Figure 17



TYPICAL CHARACTERISTICS

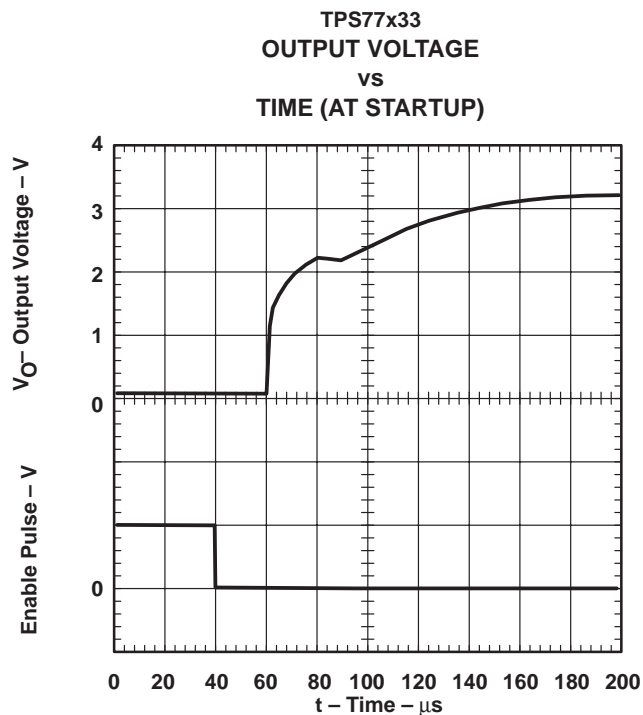


Figure 18

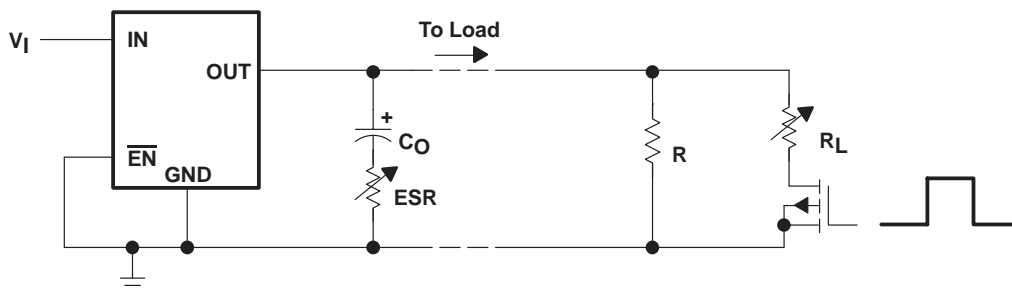


Figure 19. Test Circuit for Typical Regions of Stability (Figures 20 through 23) (Fixed Output Options)

TYPICAL CHARACTERISTICS

TYPICAL REGION OF STABILITY  
 EQUIVALENT SERIES RESISTANCE†  
 VS  
 OUTPUT CURRENT

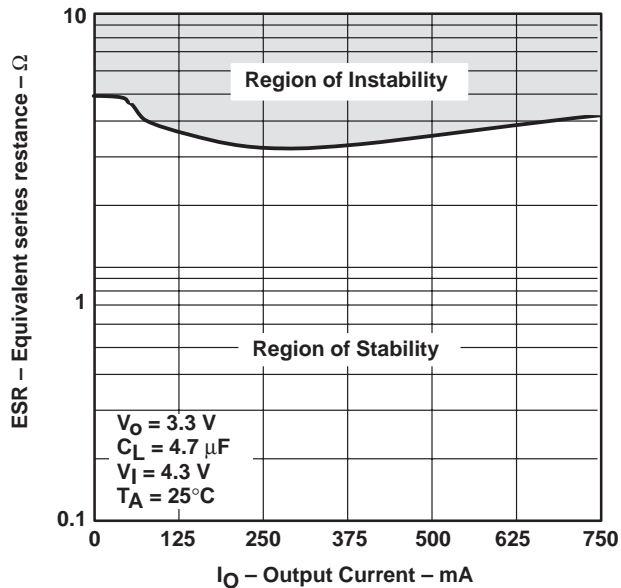


Figure 20

TYPICAL REGION OF STABILITY  
 EQUIVALENT SERIES RESISTANCE†  
 VS  
 OUTPUT CURRENT

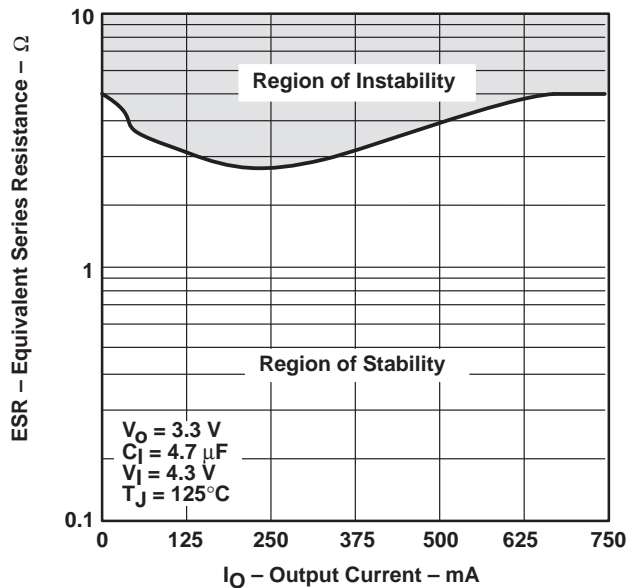


Figure 21

TYPICAL REGION OF STABILITY  
 EQUIVALENT SERIES RESISTANCE†  
 VS  
 OUTPUT CURRENT

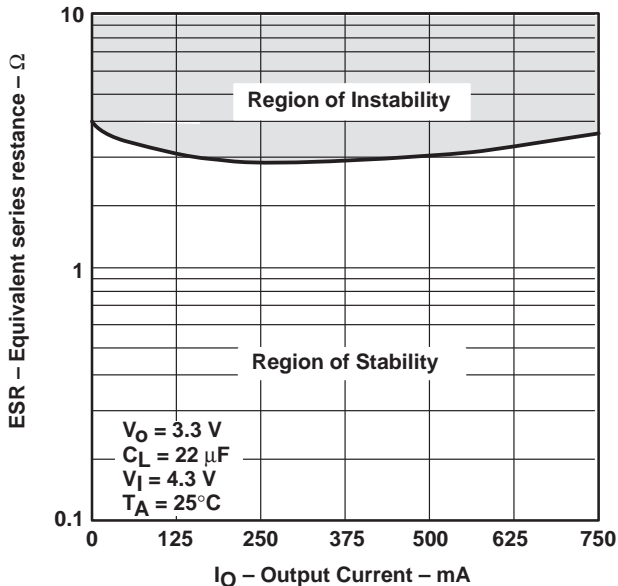


Figure 22

TYPICAL REGION OF STABILITY  
 EQUIVALENT SERIES RESISTANCE†  
 VS  
 OUTPUT CURRENT

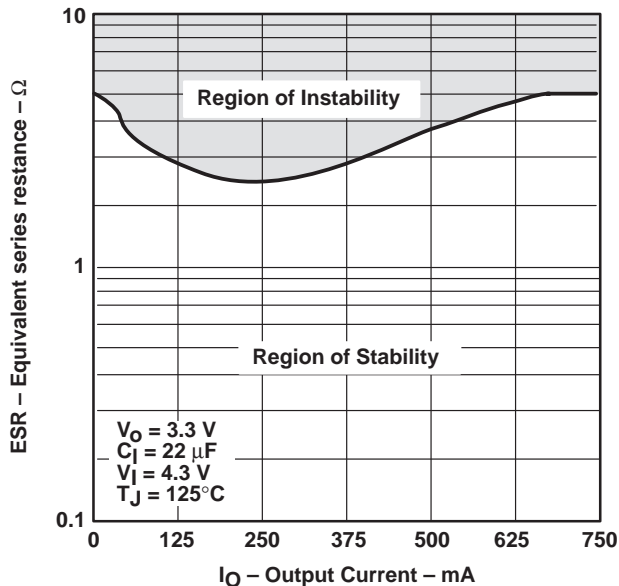


Figure 23

† Equivalent series resistance (ESR) refers to the total series resistance, including the ESR of the capacitor, any series resistance added externally, and PWB trace resistance to  $C_O$ .

# TPS77701, TPS77715, TPS77718, TPS77725, TPS77733 WITH RESET OUTPUT TPS77801, TPS77815, TPS77818, TPS77825, TPS77833 WITH PG OUTPUT FAST-TRANSIENT-RESPONSE 750-mA LOW-DROPOUT VOLTAGE REGULATORS

SLVS230A – SEPTEMBER 1999 – REVISED SEPTEMBER 1999

## APPLICATION INFORMATION

The TPS777xx and TPS778xx families include four fixed-output voltage regulators (1.5 V, 1.8 V, 2.5 V, and 3.3 V), and an adjustable regulator, the TPS77x01 (adjustable from 1.5 V to 5.5 V for TPS77701 option and 1.2 V to 5.5 V for TPS77801 option).

### device operation

The TPS777xx and TPS778xx feature very low quiescent current, which remains virtually constant even with varying loads. Conventional LDO regulators use a pnp pass element, the base current of which is directly proportional to the load current through the regulator ( $I_B = I_C/\beta$ ). The TPS777xx and TPS778xx use a PMOS transistor to pass current; because the gate of the PMOS is voltage driven, operating current is low and invariable over the full load range.

Another pitfall associated with the pnp-pass element is its tendency to saturate when the device goes into dropout. The resulting drop in  $\beta$  forces an increase in  $I_B$  to maintain the load. During power up, this translates to large start-up currents. Systems with limited supply current may fail to start up. In battery-powered systems, it means rapid battery discharge when the voltage decays below the minimum required for regulation. The TPS777xx and TPS778xx quiescent currents remain low even when the regulator drops out, eliminating both problems.

The TPS777xx and TPS778xx families also feature a shutdown mode that places the output in the high-impedance state (essentially equal to the feedback-divider resistance) and reduces quiescent current to 2  $\mu$ A. If the shutdown feature is not used,  $\overline{EN}$  should be tied to ground. Response to an enable transition is quick; regulated output voltage is typically reestablished in 120  $\mu$ s.

### minimum load requirements

The TPS777xx and TPS778xx families are stable even at zero load; no minimum load is required for operation.

### FB - pin connection (adjustable version only)

The FB pin is an input pin to sense the output voltage and close the loop for the adjustable option. The output voltage is sensed through a resistor divider network to close the loop as it is shown in Figure 25. Normally, this connection should be as short as possible; however, the connection can be made near a critical circuit to improve performance at that point. Internally, FB connects to a high-impedance wide-bandwidth amplifier and noise pickup feeds through to the regulator output. Routing the FB connection to minimize/avoid noise pickup is essential.

### external capacitor requirements

An input capacitor is not usually required; however, a ceramic bypass capacitor (0.047  $\mu$ F or larger) improves load transient response and noise rejection if the TPS777xx or TPS778xx are located more than a few inches from the power supply. A higher-capacitance electrolytic capacitor may be necessary if large (hundreds of milliamps) load transients with fast rise times are anticipated.

Like all low dropout regulators, the TPS777xx and TPS778xx require an output capacitor connected between OUT and GND to stabilize the internal control loop. The minimum recommended capacitance value is 10  $\mu$ F and the ESR (equivalent series resistance) must be between 50 m $\Omega$  and 1.5  $\Omega$ . Capacitor values 10  $\mu$ F or larger are acceptable, provided the ESR is less than 1.5  $\Omega$ . Solid tantalum electrolytic, aluminum electrolytic, and multilayer ceramic capacitors are all suitable, provided they meet the requirements described previously.



APPLICATION INFORMATION

external capacitor requirements (continued)

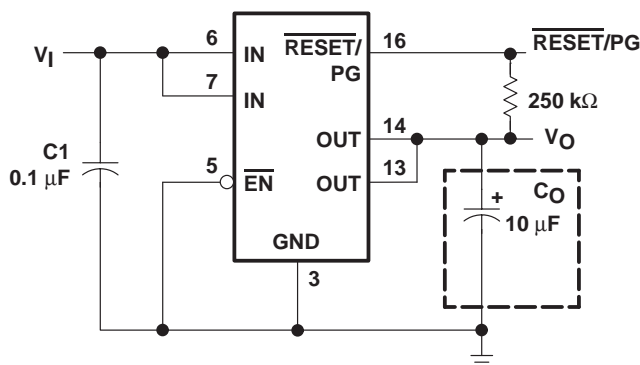


Figure 24. Typical Application Circuit (Fixed Versions)

programming the TPS77x01 adjustable LDO regulator

The output voltage of the TPS77x01 adjustable regulator is programmed using an external resistor divider as shown in Figure 25. The output voltage is calculated using:

$$V_O = V_{ref} \times \left(1 + \frac{R1}{R2}\right) \tag{1}$$

Where

$$V_{ref} = 1.1834 \text{ V typ (the internal reference voltage)}$$

Resistors R1 and R2 should be chosen for approximately 10-μA divider current. Lower value resistors can be used but offer no inherent advantage and waste more power. Higher values should be avoided as leakage currents at FB increase the output voltage error. The recommended design procedure is to choose R2 = 110 kΩ to set the divider current at approximately 10 μA and then calculate R1 using:

$$R1 = \left(\frac{V_O}{V_{ref}} - 1\right) \times R2 \tag{2}$$

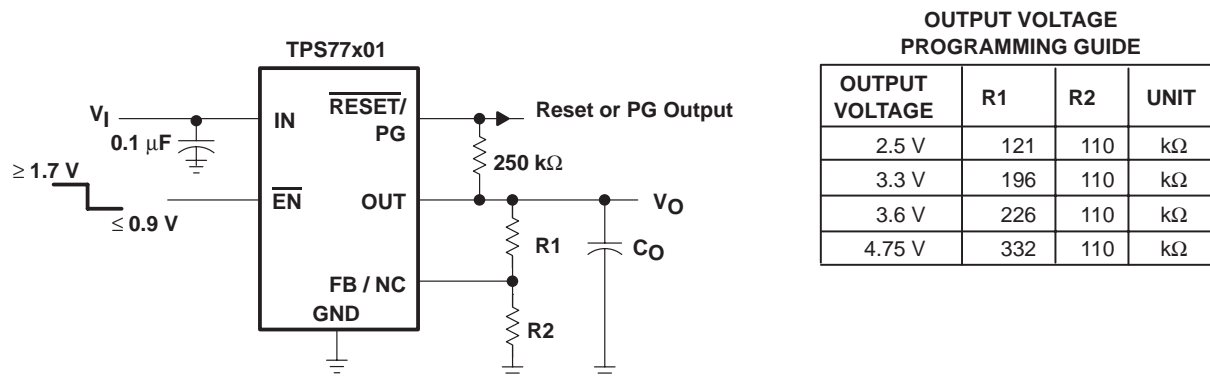


Figure 25. TPS77x01 Adjustable LDO Regulator Programming



---

## APPLICATION INFORMATION

### reset indicator

The TPS777xx features a  $\overline{\text{RESET}}$  output that can be used to monitor the status of the regulator. The internal comparator monitors the output voltage: when the output drops to between 92% and 98% of its nominal regulated value, the  $\overline{\text{RESET}}$  output transistor turns on, taking the signal low. The open-drain output requires a pullup resistor. If not used, it can be left floating.  $\overline{\text{RESET}}$  can be used to drive power-on reset circuitry or as a low-battery indicator.  $\overline{\text{RESET}}$  does not assert itself when the regulated output voltage falls outside the specified 2% tolerance, but instead reports an output voltage low relative to its nominal regulated value (refer to timing diagram for start-up sequence).

### power-good indicator

The TPS778xx features a power-good (PG) output that can be used to monitor the status of the regulator. The internal comparator monitors the output voltage: when the output drops to between 92% and 98% of its nominal regulated value, the PG output transistor turns on, taking the signal low. The open-drain output requires a pullup resistor. If not used, it can be left floating. PG can be used to drive power-on reset circuitry or used as a low-battery indicator.

### regulator protection

The TPS777xx and TPS778xx PMOS-pass transistors have a built-in back diode that conducts reverse currents when the input voltage drops below the output voltage (e.g., during power down). Current is conducted from the output to the input and is not internally limited. When extended reverse voltage is anticipated, external limiting may be appropriate.

The TPS777xx and TPS778xx also feature internal current limiting and thermal protection. During normal operation, the TPS777xx and TPS778xx limit output current to approximately 1.7 A. When current limiting engages, the output voltage scales back linearly until the overcurrent condition ends. While current limiting is designed to prevent gross device failure, care should be taken not to exceed the power dissipation ratings of the package. If the temperature of the device exceeds 150°C(typ), thermal-protection circuitry shuts it down. Once the device has cooled below 130°C(typ), regulator operation resumes.

**TPS77701, TPS77715, TPS77718, TPS77725, TPS77733 WITH RESET OUTPUT**  
**TPS77801, TPS77815, TPS77818, TPS77825, TPS77833 WITH PG OUTPUT**  
**FAST-TRANSIENT-RESPONSE 750-mA LOW-DROPOUT VOLTAGE REGULATORS**

SLVS230A – SEPTEMBER 1999 – REVISED SEPTEMBER 1999

---

**APPLICATION INFORMATION**

**power dissipation and junction temperature**

Specified regulator operation is assured to a junction temperature of 125°C; the maximum junction temperature should be restricted to 125°C under normal operating conditions. This restriction limits the power dissipation the regulator can handle in any given application. To ensure the junction temperature is within acceptable limits, calculate the maximum allowable dissipation,  $P_{D(max)}$ , and the actual dissipation,  $P_D$ , which must be less than or equal to  $P_{D(max)}$ .

The maximum-power-dissipation limit is determined using the following equation:

$$P_{D(max)} = \frac{T_{Jmax} - T_A}{R_{\theta JA}}$$

Where

$T_{Jmax}$  is the maximum allowable junction temperature

$R_{\theta JA}$  is the thermal resistance junction-to-ambient for the package, i.e., 176°C/W for the 8-terminal SOIC and 32.6°C/W for the 20-terminal PWP with no airflow.

$T_A$  is the ambient temperature.

The regulator dissipation is calculated using:

$$P_D = (V_I - V_O) \times I_O$$

Power dissipation resulting from quiescent current is negligible. Excessive power dissipation will trigger the thermal protection circuit.



TPS77701, TPS77715, TPS77718, TPS77725, TPS77733 WITH RESET OUTPUT  
 TPS77801, TPS77815, TPS77818, TPS77825, TPS77833 WITH PG OUTPUT  
 FAST-TRANSIENT-RESPONSE 750-mA LOW-DROPOUT VOLTAGE REGULATORS

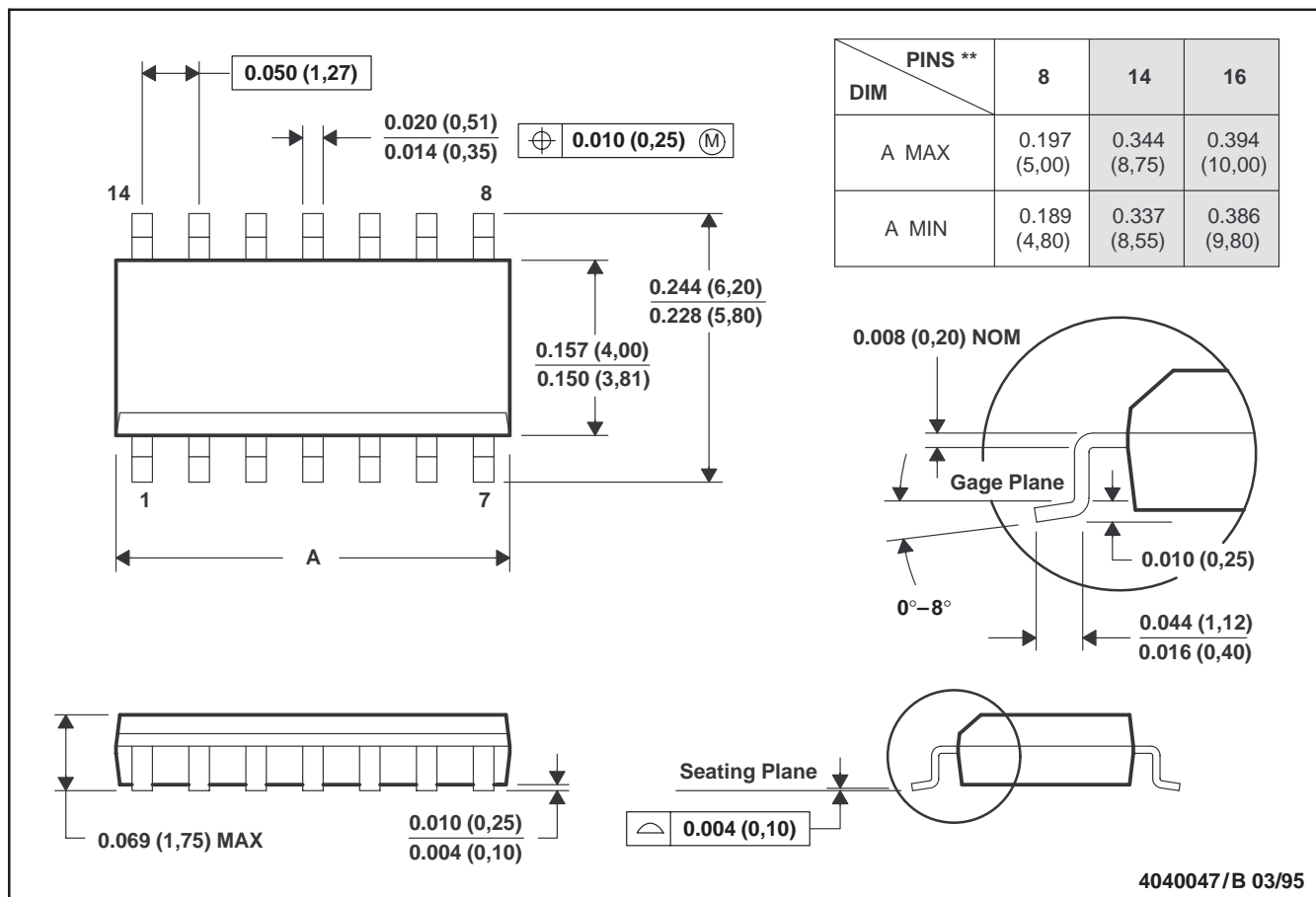
SLVS230A – SEPTEMBER 1999 – REVISED SEPTEMBER 1999

MECHANICAL DATA

D (R-PDSO-G\*\*)

PLASTIC SMALL-OUTLINE PACKAGE

14 PIN SHOWN



- NOTES: A. All linear dimensions are in inches (millimeters).  
 B. This drawing is subject to change without notice.  
 C. Body dimensions do not include mold flash or protrusion, not to exceed 0.006 (0,15).  
 D. Four center pins are connected to die mount pad.  
 E. Falls within JEDEC MS-012

TPS77701, TPS77715, TPS77718, TPS77725, TPS77733 WITH  $\overline{\text{RESET}}$  OUTPUT  
 TPS77801, TPS77815, TPS77818, TPS77825, TPS77833 WITH PG OUTPUT  
**FAST-TRANSIENT-RESPONSE 750-mA LOW-DROPOUT VOLTAGE REGULATORS**

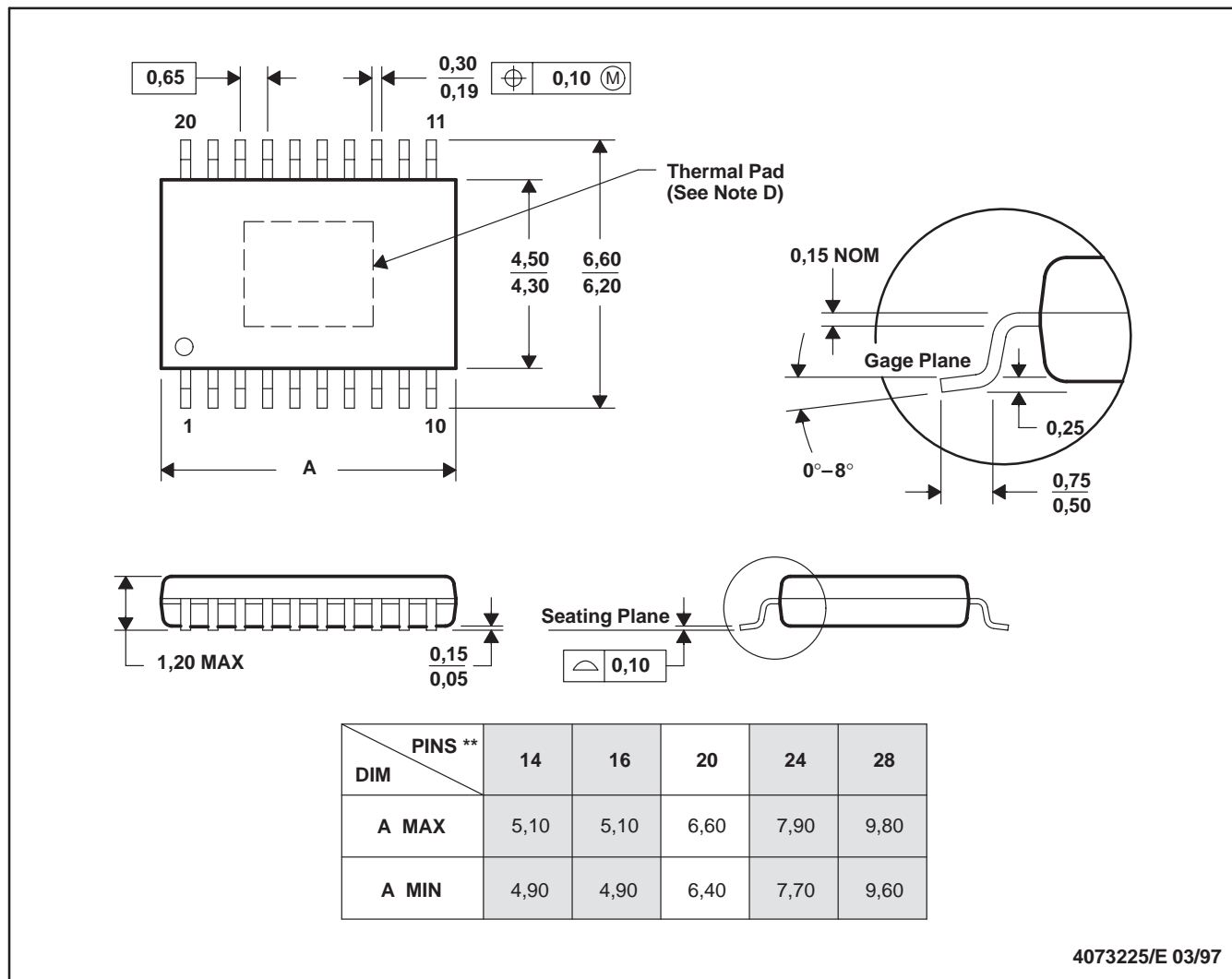
SLVS230A – SEPTEMBER 1999 – REVISED SEPTEMBER 1999

**MECHANICAL DATA**

**PWP (R-PDSO-G\*\*)**

**PowerPAD™ PLASTIC SMALL-OUTLINE PACKAGE**

20-PIN SHOWN



4073225/E 03/97

- NOTES: A. All linear dimensions are in millimeters.  
 B. This drawing is subject to change without notice.  
 C. Body dimensions do not include mold flash or protrusions.  
 D. The package thermal performance may be enhanced by bonding the thermal pad to an external thermal plane. This pad is electrically and thermally connected to the backside of the die and possibly selected leads.  
 E. Falls within JEDEC MO-153

PowerPAD is a trademark of Texas Instruments Incorporated.



POST OFFICE BOX 655303 • DALLAS, TEXAS 75265

## **IMPORTANT NOTICE**

Texas Instruments and its subsidiaries (TI) reserve the right to make changes to their products or to discontinue any product or service without notice, and advise customers to obtain the latest version of relevant information to verify, before placing orders, that information being relied on is current and complete. All products are sold subject to the terms and conditions of sale supplied at the time of order acknowledgement, including those pertaining to warranty, patent infringement, and limitation of liability.

TI warrants performance of its semiconductor products to the specifications applicable at the time of sale in accordance with TI's standard warranty. Testing and other quality control techniques are utilized to the extent TI deems necessary to support this warranty. Specific testing of all parameters of each device is not necessarily performed, except those mandated by government requirements.

**CERTAIN APPLICATIONS USING SEMICONDUCTOR PRODUCTS MAY INVOLVE POTENTIAL RISKS OF DEATH, PERSONAL INJURY, OR SEVERE PROPERTY OR ENVIRONMENTAL DAMAGE ("CRITICAL APPLICATIONS"). TI SEMICONDUCTOR PRODUCTS ARE NOT DESIGNED, AUTHORIZED, OR WARRANTED TO BE SUITABLE FOR USE IN LIFE-SUPPORT DEVICES OR SYSTEMS OR OTHER CRITICAL APPLICATIONS. INCLUSION OF TI PRODUCTS IN SUCH APPLICATIONS IS UNDERSTOOD TO BE FULLY AT THE CUSTOMER'S RISK.**

In order to minimize risks associated with the customer's applications, adequate design and operating safeguards must be provided by the customer to minimize inherent or procedural hazards.

TI assumes no liability for applications assistance or customer product design. TI does not warrant or represent that any license, either express or implied, is granted under any patent right, copyright, mask work right, or other intellectual property right of TI covering or relating to any combination, machine, or process in which such semiconductor products or services might be or are used. TI's publication of information regarding any third party's products or services does not constitute TI's approval, warranty or endorsement thereof.