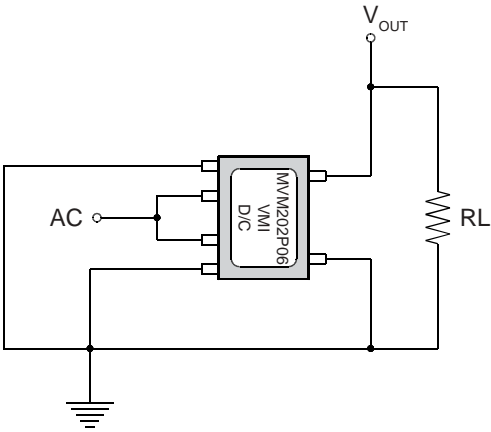
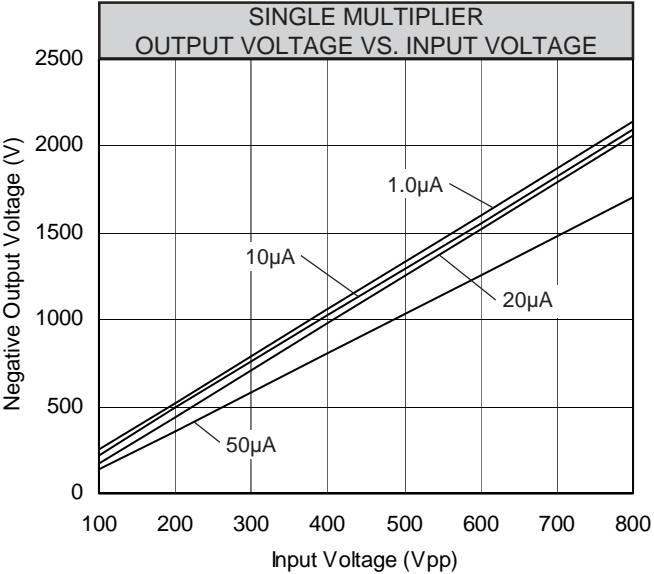


MVM202P06



Typical Multiplier Circuit