



# TEA6422

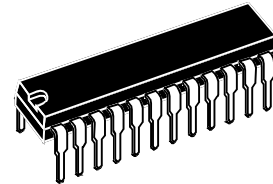
## BUS-CONTROLLED AUDIO MATRIX

- 6 Stereo Inputs
- 3 Stereo Outputs
- Gain Control 0 dB/Mute for each Output
- Cascadable (2 different addresses)
- Serial Bus Controlled
- Very Low Noise
- Very Low Distorsion
- Fully ESD Protected
- Wide Audio Dynamic Range (  $3 V_{RMS}$  )

### DESCRIPTION

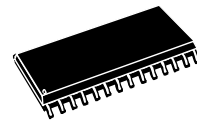
The TEA6422 switches 6 stereo audio inputs on 3 stereo outputs.

All the switching possibilities are changed through the I<sup>2</sup>C BUS.



**SHRINK DIP24**  
(Shrink Plastic Package)

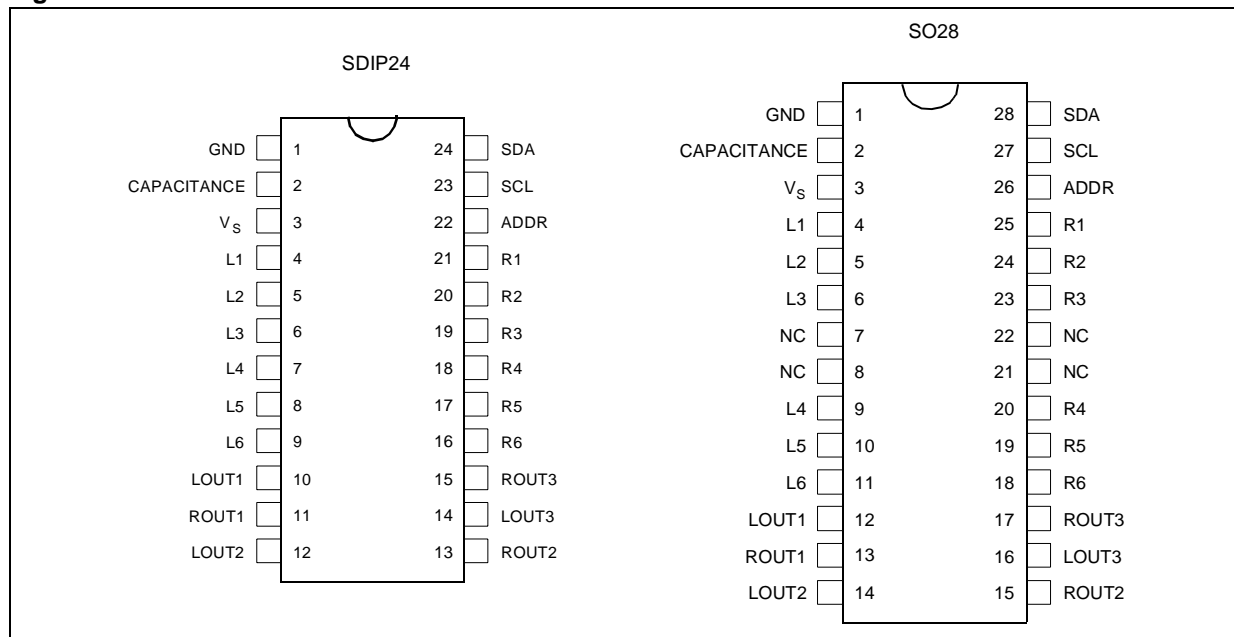
**ORDER CODE: TEA6422**



**SO28**  
(Plastic Monopackage)

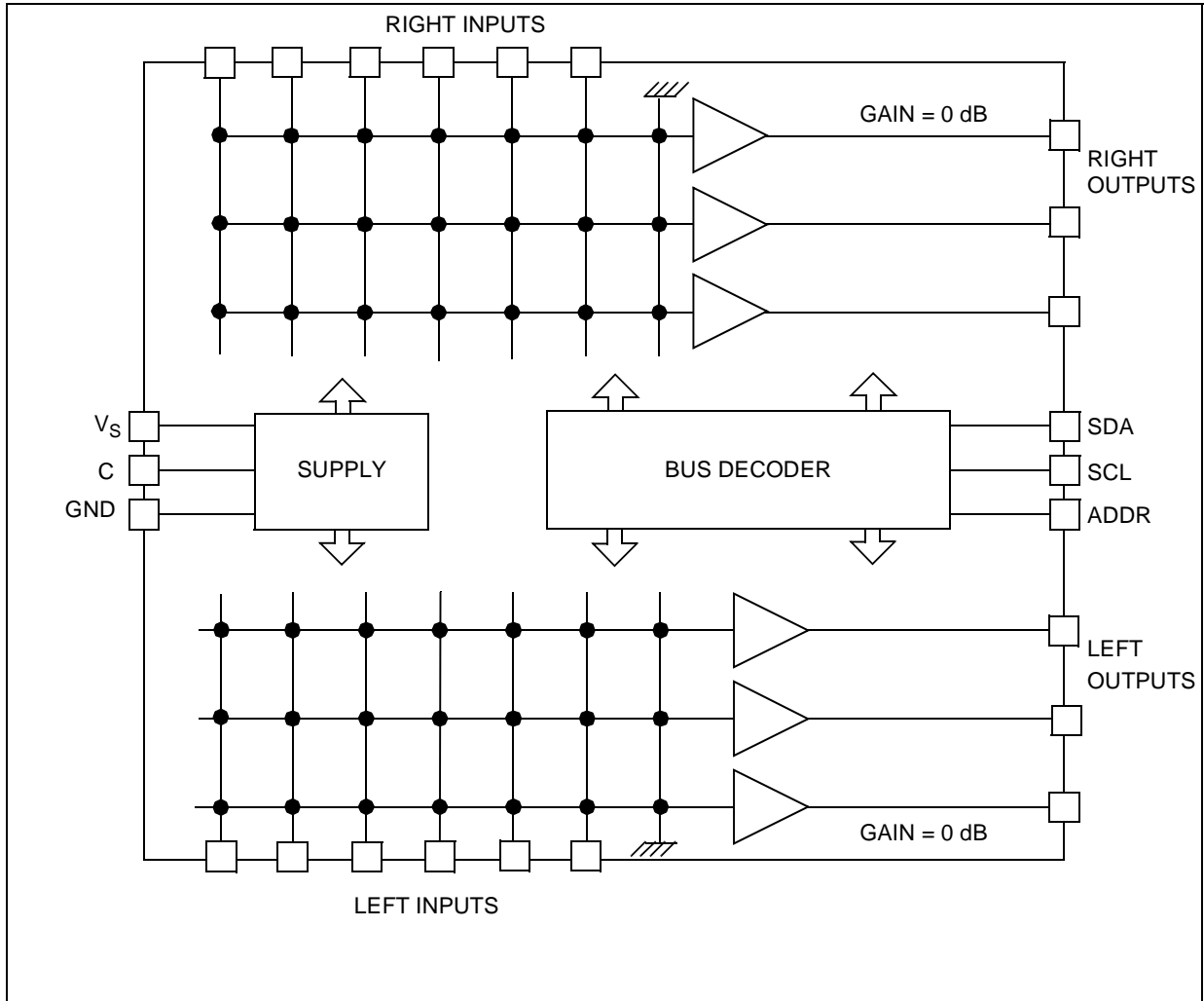
**ORDER CODE: TEA6422D**

**Figure 1. PIN CONNECTIONS**



# TEA6422

## BLOCK DIAGRAM



## ABSOLUTE MAXIMUM RATINGS

Symbol	Parameter	Value	Unit
V <sub>CC</sub>	Supply Voltage	12	V
T <sub>oper</sub>	Operating Temperature	0, + 70	°C
T <sub>stg</sub>	Storage Temperature	- 20, + 150	°C

## THERMAL DATA

Symbol	Parameter	Value	Unit
R <sub>th(j-a)</sub>	Junction - ambient Thermal Resistance	SDIP24	75
		SO28	75

**ELECTRICAL CHARACTERISTICS**

$T_A = 25\text{ }^\circ\text{C}$ ,  $V_S = 9\text{ V}$ ,  $R_L = 10\text{ k}\Omega$ ,  $R_G = 600\text{ }\Omega$ ,  $f = 1\text{ kHz}$  (unless otherwise specified)

Symbol	Parameter	Test Conditions	Min.	Typ.	Max.	Unit
--------	-----------	-----------------	------	------	------	------

**SUPPLY**

$V_S$	Supply Voltage		8	10	11	V
$I_S$	Supply Current			3	8	mA
SVR	Ripple Rejection	$V_{IN} = 500\text{mV}_{RMS}$ , $f = 1\text{kHz}$	70	80		dB

**MATRIX**

$V_{IN}$	Input DC Level			$V_{CC}/2$		V
$R_I$	Input Resistance		30	50	100	$\text{k}\Omega$
$C_S$	Channel Separation	$V_{IN} = 2V_{RMS}$ , $f = 1\text{kHz}$	80	90		dB

**OUTPUT BUFFER**

$V_{OUT}$	Output DC Level			$V_{CC}/2$		V
$R_{OUT}$	Output Resistance			50	100	$\Omega$
$e_{NI}$	Input Noise	BW = 20 - 20kHz, flat		3		$\mu\text{V}$
S/N	Signal to Noise Ratio	$V_{IN} = V_{OUT} = 1V_{RMS}$		110		dB
G	Gain		-1	0	+ 1	dB
d	Distortion	$V_{IN} = V_{OUT} = 1V_{RMS}$		0.01	0.05	%
$V_{CL}$	Clipping Level	$d = 0.3\%$ , $V_S = 10\text{ V}$	2.8	3		$V_{RMS}$
$R_L$	Output Load Resistance		2			$\text{k}\Omega$

I<sup>2</sup>C BUS CHARACTERISTICS

Symbol	Parameter	Test Conditions	Min.	Max.	Unit
SCL					
V <sub>IL</sub>	Low Level Input Voltage		- 0.3	+ 1.5	V
V <sub>IH</sub>	High Level Input Voltage		3.0	V <sub>CC</sub> + 0.5	V
I <sub>LI</sub>	Input Leakage Current	V <sub>I</sub> = 0 to V <sub>CC</sub>	- 10	+ 10	μA
f <sub>SCL</sub>	Clock Frequency		0	100	kHz
t <sub>R</sub>	Input Rise Time	1.5V to 3V		1000	ns
t <sub>F</sub>	Input Fall Time	3V to 1.5V		300	ns
C <sub>I</sub>	Input Capacitance			10	pF

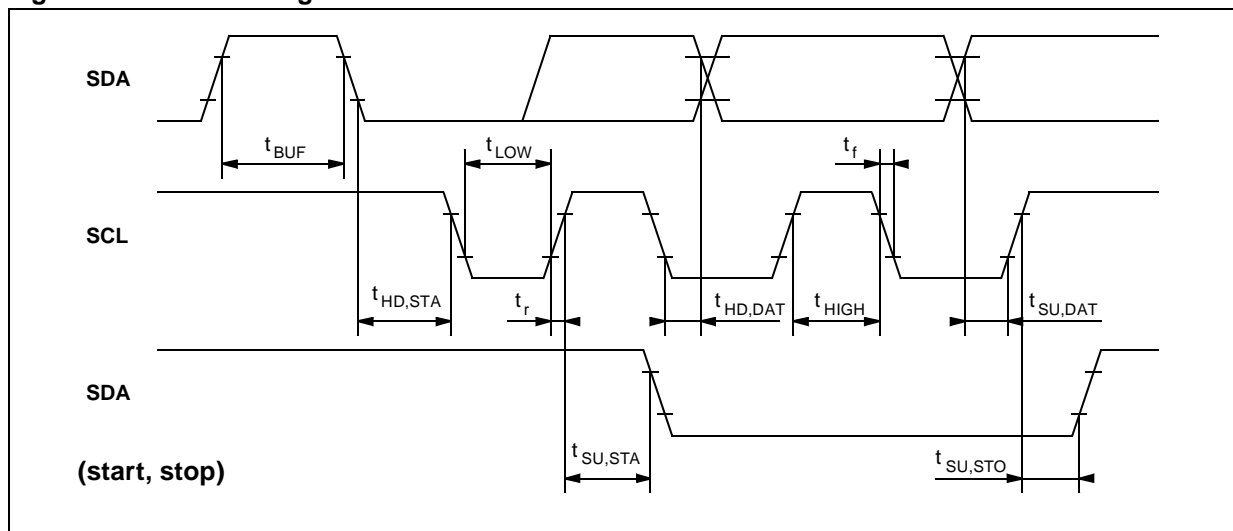
SDA

V <sub>IL</sub>	Low Level Input Voltage		- 0.3	+ 1.5	V
V <sub>IH</sub>	High Level Input Voltage		3.0	V <sub>CC</sub> + 0.5	V
I <sub>LI</sub>	Input Leakage Current	V <sub>I</sub> = 0 to V <sub>CC</sub>	- 10	+ 10	μA
C <sub>I</sub>	Input Capacitance			10	pF
t <sub>R</sub>	Input Rise Time	1.5V to 3V		1000	ns
t <sub>F</sub>	Input Fall Time	3V to 1.5V		300	ns
V <sub>OL</sub>	Low Level Output Voltage	I <sub>OL</sub> = 3mA		0.4	V
t <sub>F</sub>	Output Fall Time	3V to 1.5V		250	ns
C <sub>L</sub>	Load Capacitance			400	pF

TIMING

t <sub>LOW</sub>	Clock Low Period		4.7		μs
t <sub>HIGH</sub>	Clock High Period		4.0		μs
t <sub>SU, DAT</sub>	Data Set-up Time		250		ns
t <sub>HD, DAT</sub>	Data Hold Time		0	340	ns
t <sub>SU, STO</sub>	Set-up Time from Clock High to Stop		4.0		μs
t <sub>BUF</sub>	Start Set-up Time following a Stop		4.7		μs
t <sub>HD, STA</sub>	Start Hold Time		4.0		μs
t <sub>SU, STA</sub>	Start Set-up Time following Clock Low-to High Transition		4.7		μs

Figure 2. I<sup>2</sup>C Bus Timing



**POWER ON RESET**

After power-on reset all outputs are in mute mode

Symbol	Parameter	Conditions	Min.	Typ.	Max.	Unit
Reset	Start of Reset	Incr. V <sub>CC</sub>			2.5	V
		Decr. V <sub>CC</sub>			4.2	V
	End of Reset	Incr. V <sub>CC</sub>	4.5			V

**SOFTWARE SPECIFICATION****1. Chip address**

Address	HEX	ADDR
1001 1000	98	0
1001 1010	9A	1

**2. Data bytes**

Output select

X	0	0	X	X	I <sub>2</sub>	I <sub>1</sub>	I <sub>0</sub>	Output 1 Output 2 Output 3
	0	1						
	1	0						

Input select

X	Q <sub>1</sub>	Q <sub>0</sub>	X	X	0	0	0	Input 1 Input 2 Input 3 Input 4 Input 5 Input 6 Mute
					0	0	0	
					0	0	1	
					0	1	0	
					0	1	1	
					1	0	0	
					1	0	1	
					1	1	0	

X = don't care - MSB is transmitted first

**Example :** 010XX100 connects output 3 with input 5.

Figure 3. Distorsion Level versus Input Voltage

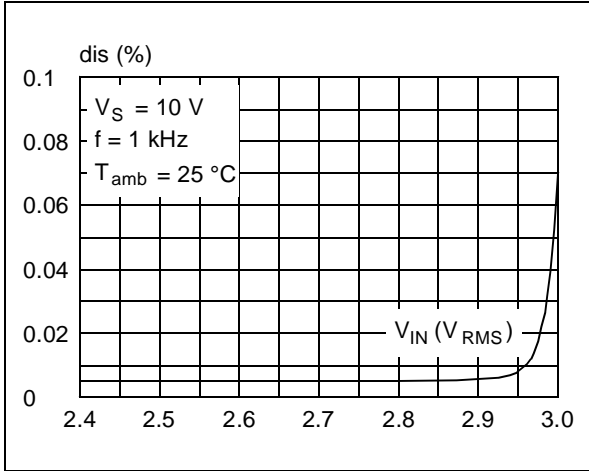


Figure 5. Clipping Level versus Supply Voltage

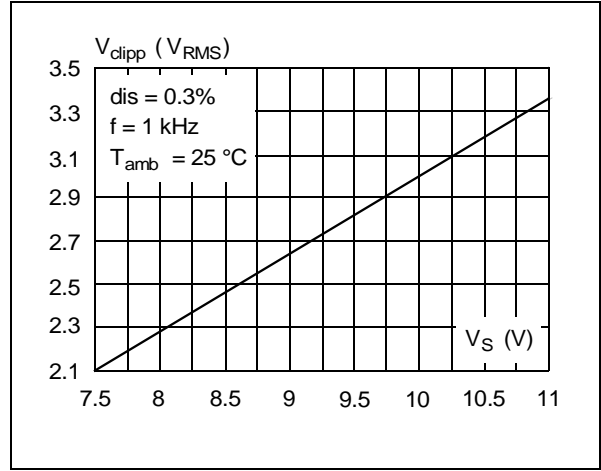
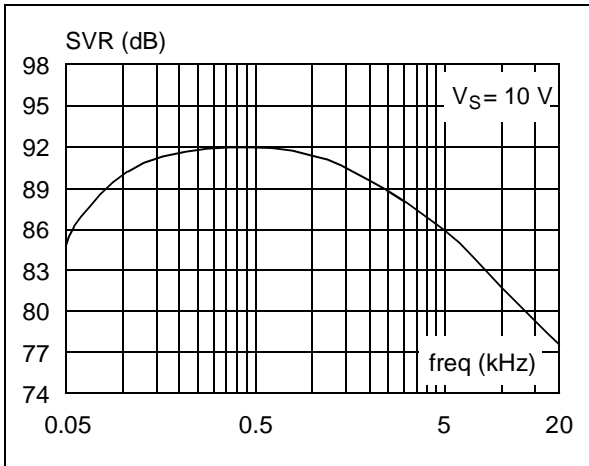
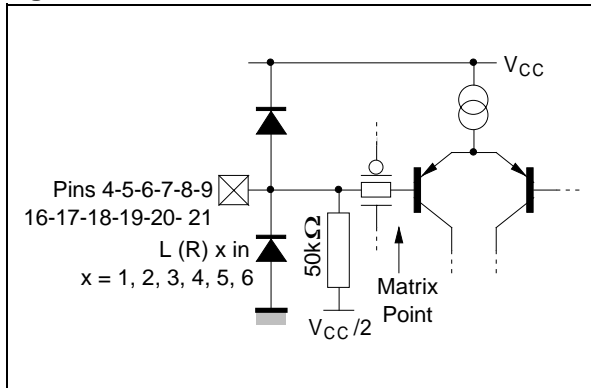


Figure 4. Supply Voltage Rejection versus Frequency ( $V_{IN} = 500\text{ mV}_{RMS}$ )

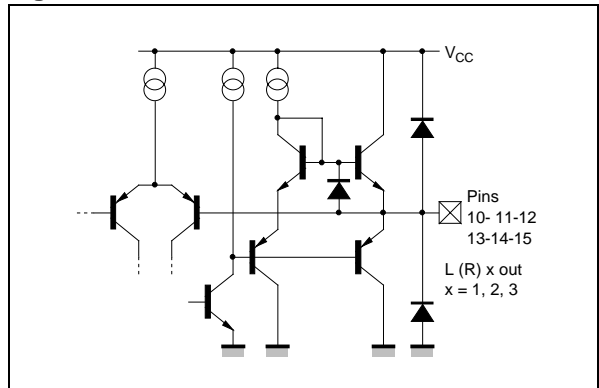


**PIN CONFIGURATIONS (SDIP24 Package)**

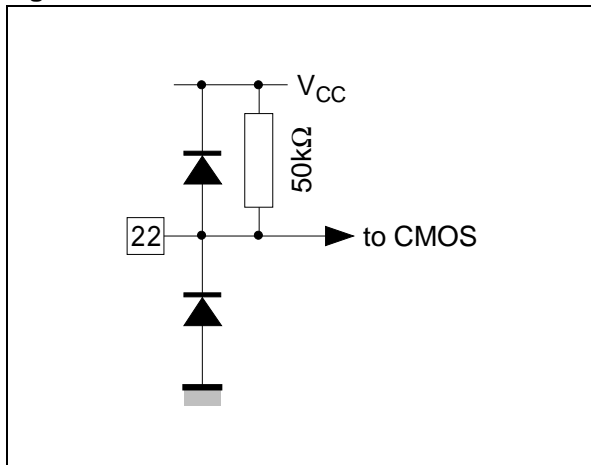
**Figure 6. Audio IN**



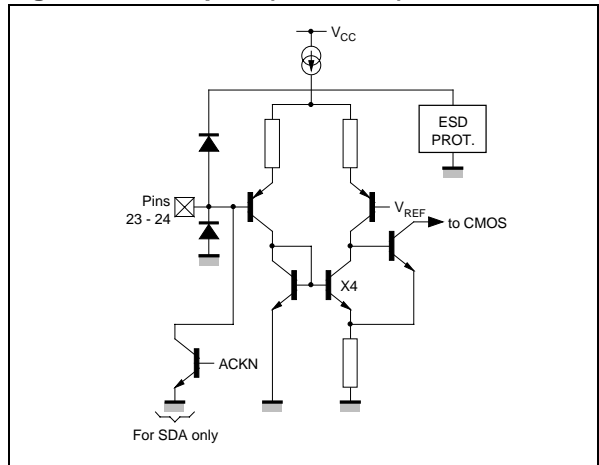
**Figure 8. Audio OUT**



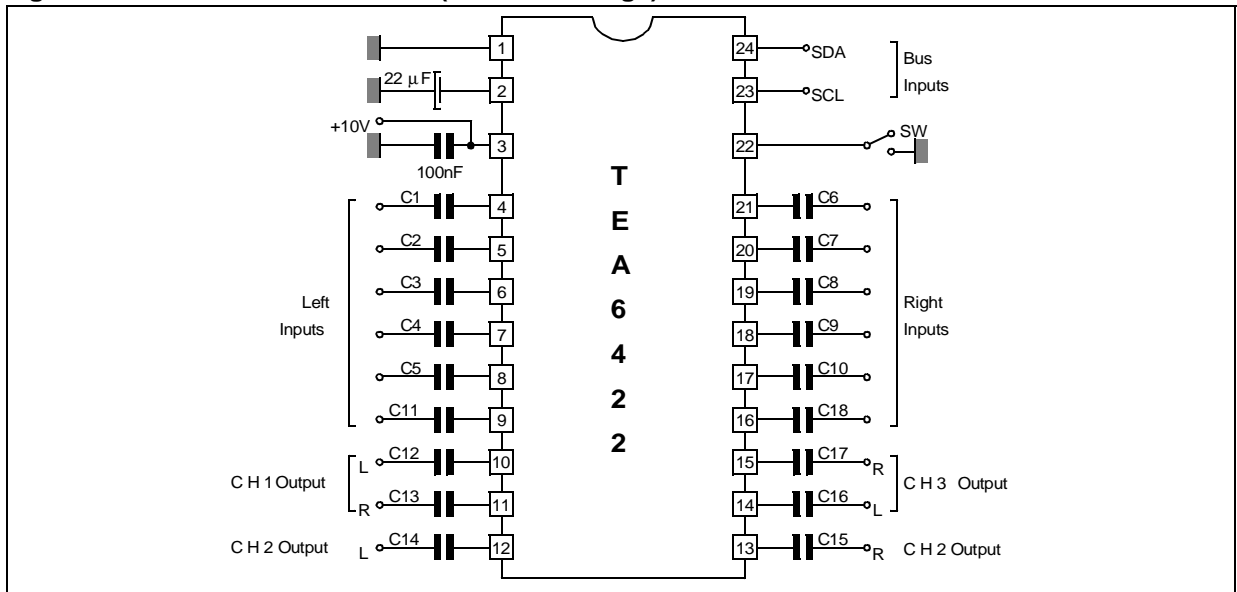
**Figure 7. ADDR**



**Figure 9. Bus Inputs (SDA, SCL)**



**Figure 10. TYPICAL APPLICATION (SDIP24 Package)**

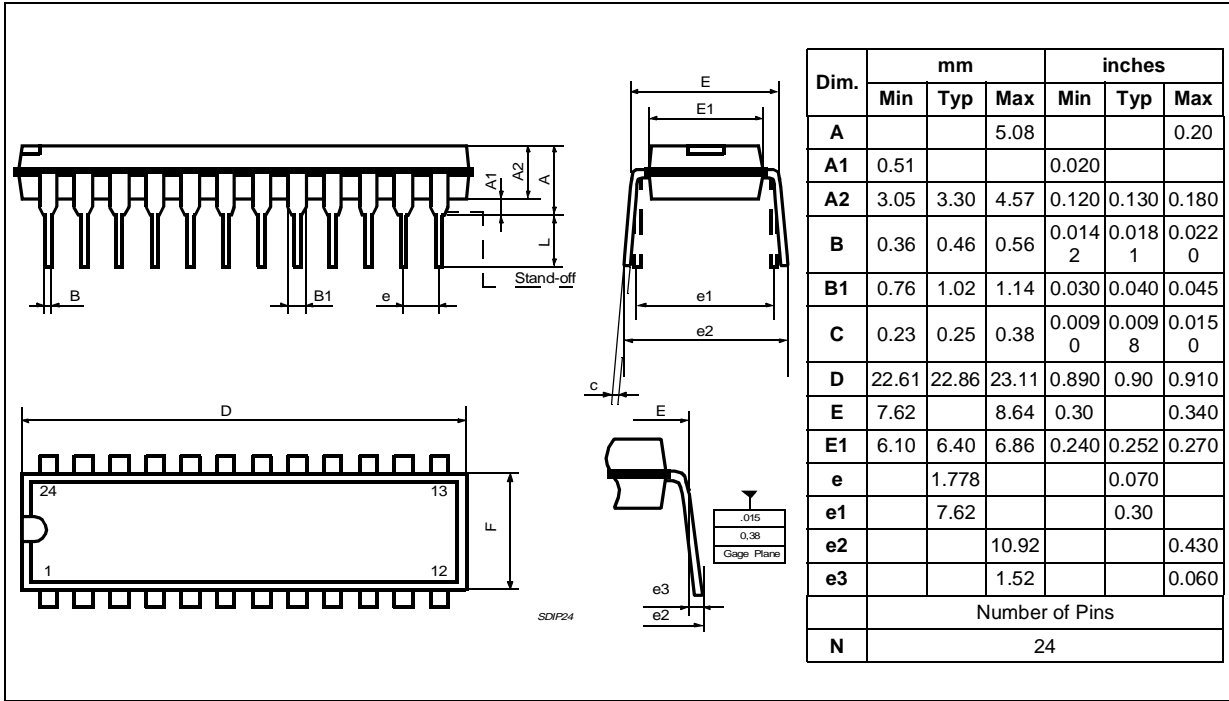


**TEA6422**

**PACKAGE MECHANICAL DATA**

24 PINS - PLASTIC SHRINK

**Figure 11. 24-Pin Shrink Plastic Dual In Line Package**

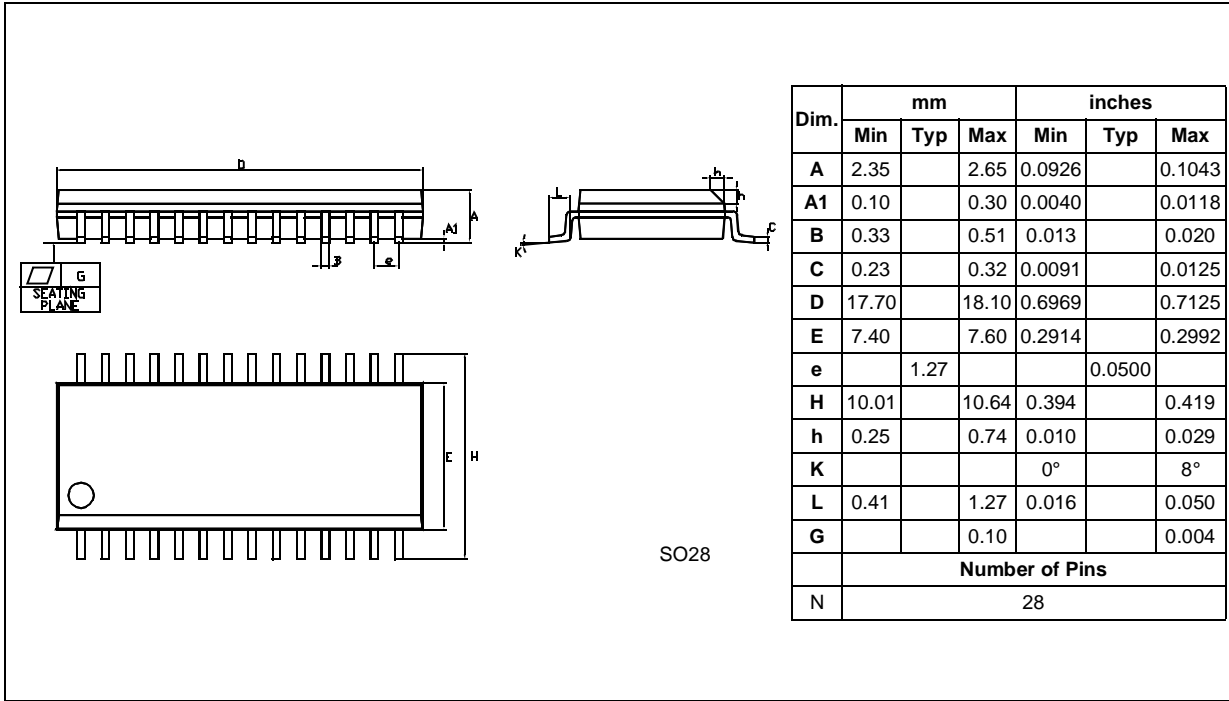




**PACKAGE MECHANICAL DATA**

28 PINS - PLASTIC MICROPACKAGE

**Figure 12. 28-Pin Plastic Small Outline Package, 300-mil Width**



Dim.	mm			inches		
	Min	Typ	Max	Min	Typ	Max
A	2.35		2.65	0.0926		0.1043
A1	0.10		0.30	0.0040		0.0118
B	0.33		0.51	0.013		0.020
C	0.23		0.32	0.0091		0.0125
D	17.70		18.10	0.6969		0.7125
E	7.40		7.60	0.2914		0.2992
e		1.27		0.0500		
H	10.01		10.64	0.394		0.419
h	0.25		0.74	0.010		0.029
K				0°		8°
L	0.41		1.27	0.016		0.050
G			0.10			0.004
<b>Number of Pins</b>						
N	28					

SO28

Information furnished is believed to be accurate and reliable. However, STMicroelectronics assumes no responsibility for the consequences of use of such information nor for any infringement of patents or other rights of third parties which may result from its use. No license is granted by implication or otherwise under any patent or patent rights of STMicroelectronics. Specifications mentioned in this publication are subject to change without notice. This publication supersedes and replaces all information previously supplied. STMicroelectronics products are not authorized for use as critical components in life support devices or systems without the express written approval of STMicroelectronics.

The ST logo is a registered trademark of STMicroelectronics

©2003 STMicroelectronics - All Rights Reserved.

Purchase of I<sup>2</sup>C Components by STMicroelectronics conveys a license under the Philips I<sup>2</sup>C Patent. Rights to use these components in an I<sup>2</sup>C system is granted provided that the system conforms to the I<sup>2</sup>C Standard Specification as defined by Philips.

STMicroelectronics Group of Companies

Australia - Brazil - China - Finland - France - Germany - Hong Kong - India - Italy - Japan - Malaysia - Malta - Morocco - Singapore - Spain  
Sweden - Switzerland - United Kingdom - U.S.A.

<http://www.st.com>