

FEATURES:



- RoHS compliant
- Power modules for PCB mounting
- Thermal shutdown
- Remote On/Off control
- Operating temperature range: -40 to +75°C
- Soft start
- High efficiency
- Standard package
- UVLO / OVLO Shutdown
- Capacitive loading up to 55000 μ F (36-75V Input)

Models Single output

Model	Input Voltage (V)	Output Voltage (V)	Output Current max (A)	Ripple & Noise %, max	Isolation (VDC)	Efficiency (%)
AM30K-1203SIZ	9-18	3.3	5.5	80 mV p-p	1500	81
AM30K-1205SIZ	9-18	5	5	80 mV p-p	1500	83
AM30K-1212SIZ	9-18	12	2.5	1	1500	86
AM30K-1215SIZ	9-18	15	2	1	1500	87
AM30K-2403SIZ	18-36	3.3	5.5	80 mV p-p	1500	82
AM30K-2405SIZ	18-36	5	5	80 mV p-p	1500	86
AM30K-2412SIZ	18-36	12	2.5	1	1500	88
AM30K-2415SIZ	18-36	15	2	1	1500	88
AM30K-4803SIZ	36-75	3.3	5.5	80 mV p-p	1500	82
AM30K-4805SIZ	36-75	5	5	80 mV p-p	1500	86
AM30K-4812SIZ	36-75	12	2.5	1	1500	88
AM30K-4015SIZ	36-75	15	2	1	1500	88

Models Dual output

Model	Input Voltage (V)	Output Voltage (V)	Output Current max (A)	Ripple & Noise %, max	Isolation (VDC)	Efficiency (%)
AM30K-1205DIZ	9-18	\pm 5	\pm 2.5	80 mV p-p	1500	83
AM30K-1212DIZ	9-18	\pm 12	\pm 1.25	1	1500	86
AM30K-1215DIZ	9-18	\pm 15	\pm 1	1	1500	87
AM30K-2405DIZ	18-36	\pm 5	\pm 2.5	80 mV p-p	1500	86
AM30K-2412DIZ	18-36	\pm 12	\pm 1.25	1	1500	88
AM30K-2415DIZ	18-36	\pm 15	\pm 1	1	1500	86
AM30K-4805DIZ	36-75	\pm 5	\pm 2.5	80 mV p-p	1500	86
AM30K-4812DIZ	36-75	\pm 12	\pm 1.25	1	1500	88
AM30K-4015DIZ	36-75	\pm 15	\pm 1	1	1500	88

Input Specifications

Parameters	Conditions	Typical	Maximum	Units
Voltage range		9-18 18-36 36-75		VDC
Filter		π (Pi) Network		
Recommended input fuse (Slow Blow)	12V Input Models	8A/250V		
	24V Input Models	4A/250V		
	48V Input Models	2A/250V		

Isolation Specifications

Parameters	Conditions	Typical	Maximum	Units
Rated voltage		1500		VDC
Resistance		> 1000		MOhm

Output Specifications

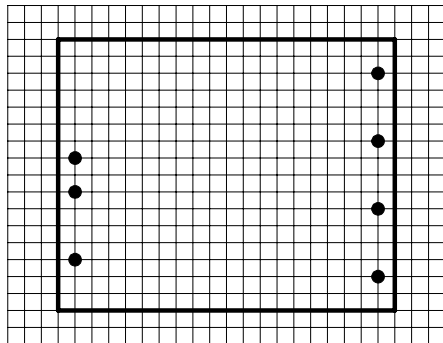
Parameters	Conditions	Typical	Maximum	Units
Voltage accuracy			±2	%
Short Circuit protection	Auto recovery	Continuous		
Over load protection	Auto recovery	Works 110% of rating		%
Over voltage protection		Zener diode clamp protection		
Line voltage regulation (Single)	HL-LL		±0.5	%
Line voltage regulation (Dual)	HL-LL		±0.5	%
Load voltage regulation (Single)	25-100%		±0.5	%
Load voltage regulation (Dual)	25-100%		±2	%
Temperature coefficient			±0.05	%/°C

General Specifications

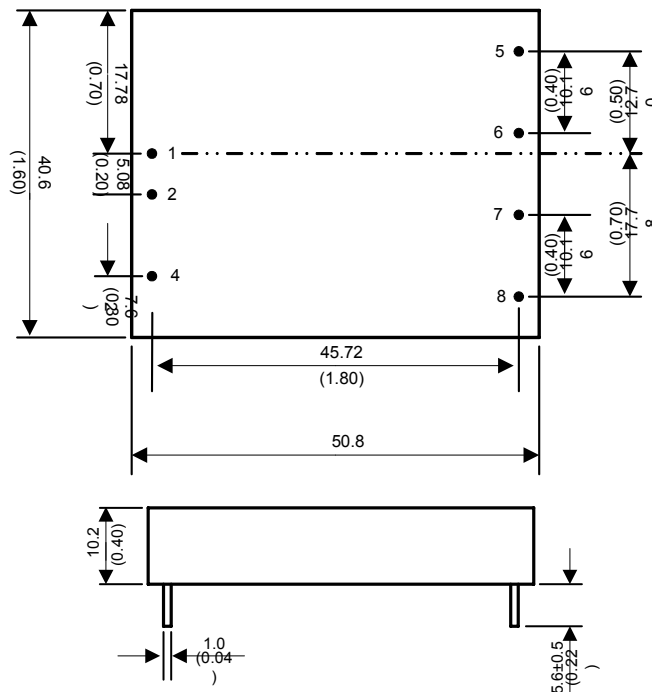
Parameters	Conditions	Typical	Maximum	Units
Switching frequency	100% load	250		KHz
Operating temperature	With derating above 70°C	-40 to +75		°C
Storage temperature		-55 to +105		°C
Case temperature			95	°C
Thermal Shutdown		+105	+115	°C
Cooling	Free air convection			
Humidity	Non condensing		95	%
Case material		Nickel coated copper with non conductive base. Six shield		
Weight		50		g
Dimensions	Tolerance ±0.5mm	2.0 x 1.60 x 0.4 inches	50.8 x 40.6 x 10.2 mm	
MTBF		> 550 000 hrs (MIL-HDBK -217F, Ground Benign, t=+25°C)		

Pin Out Specifications

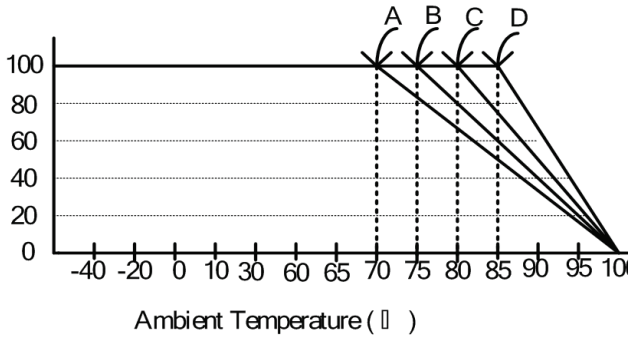
Pin	Single	Dual
1	+V Input	+V Input
2	-V Input	-V Input
3	No pin	No pin
4	On/OFF Control	On/OFF Control
5	No pin	+V Output
6	+V Output	Common
7	-V Output	-V Output
8	Trim	Trim



Dimensions

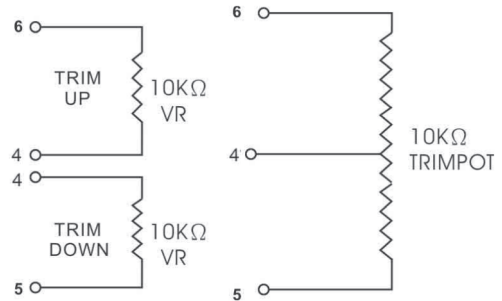


Derating

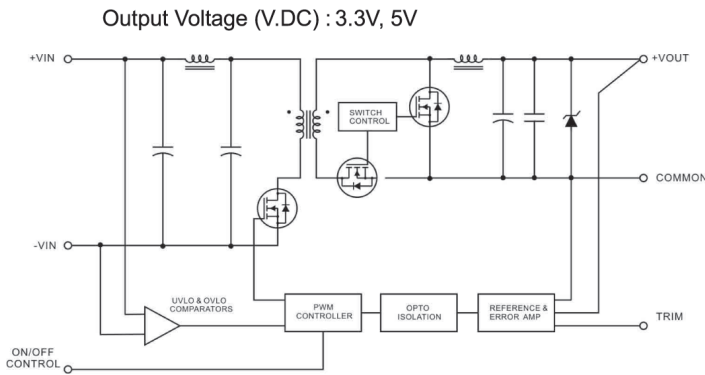


A:Free Air B:100 LFM C:200 LFM D:400LFM

Trimming



**Block Diagram
Single output**



Dual output

Output Voltage (V.DC) : 12V, 15V

