

W1G180-AB47-01

EC diagonal compact fan

sickled blades (S series)



ebm-papst Mulfingen GmbH & Co. KG

Bachmühle 2

74673 Mulfingen

Phone: +49 7938 81-0

Fax: +49 7938 81-110

www.ebmpapst.com

info1@de.ebmpapst.com

Nominal data

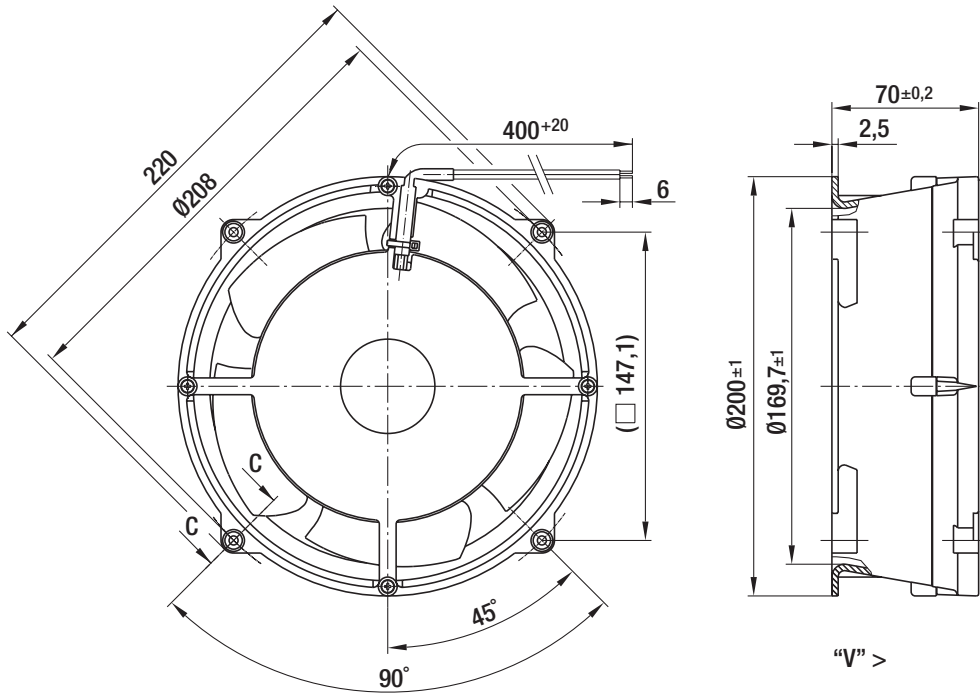
Type	W1G180-AB47-01	
Motor	M1G074-BF	
Nominal voltage	[VDC]	48
Nominal voltage range	[VDC]	36 .. 57
Frequency	[Hz]	-
Type of data definition		rfa
Speed	[min ⁻¹]	4600
Power input	[W]	100
Current draw	[A]	2.30
Max. ambient temperature	[°C]	60
Air flow	[m ³ /h]	925
Back pressure	[Pa]	0
Sound pressure level	[dB(A)]	69

ml = max. load · me = max. efficiency · rfa = running at free air · cs = customer specs · cu = customer unit
Subject to alterations

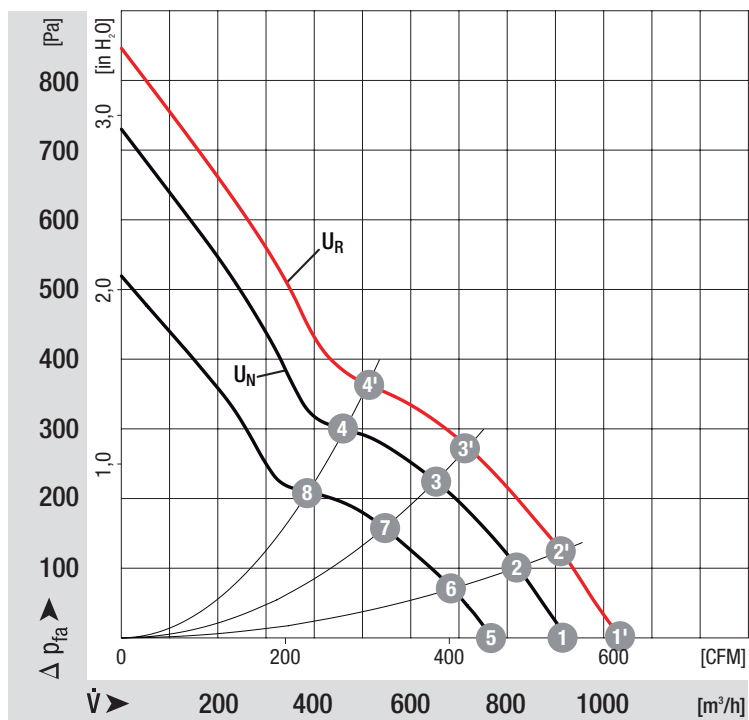
Technical features

Leakage current	<= 0,25 mA
Dimensions	180 mm
Size	180 mm
Operation mode	Continuous operation (S1)
Direction of air flow	"V"
Insulation class	"B"
Cable exit	Lateral
Bearing-motor	Ball bearing
Mass	1.8 kg
Housing material	Die-cast aluminum
Material of impeller	PA plastic
Motor protection	Reverse polarity and locked-rotor protection
Type of protection	IP 20
Protection class	I
Technical features	Control input 0-10 VDC / PWM, tach output, polarity and locked rotor protection, soft start
Approval	CCC; CSA C22.2 Nr.13; UL 507

Product drawing



Charts: Air flow



	n	P ₁	η _{TL}
	[min ⁻¹]	[W]	[%]
1'	5180	133	
2'	4970	141	70
3'	4760	146	67
4'	5010	140	55
1	4600	100	
2	4500	106	70
3	4340	112	67
4	4550	105	55
5	3920	60	
6	3790	64	70
7	3660	68	67
8	3790	63	55