

**ebm-papst Mulfingen GmbH & Co. KG**

Bachmühle 2

74673 Mulfingen

Phone: +49 7938 81-0

Fax: +49 7938 81-110

www.ebmpapst.com

info1@de.ebmpapst.com

Nominal data

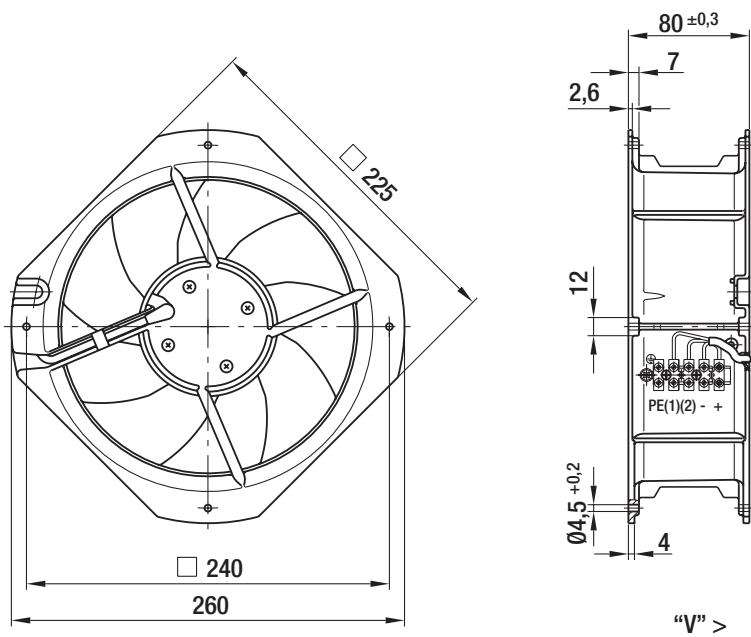
Type	W1G200-HH01-52	
Motor	M1G074-BF	
Nominal voltage	[VDC]	48
Nominal voltage range	[VDC]	36 .. 57
Frequency	[Hz]	-
Type of data definition		rfa
Speed	[min ⁻¹]	2750
Power input	[W]	45
Current draw	[A]	1.1
Max. ambient temperature	[°C]	60
Air flow	[m ³ /h]	1005
Back pressure	[Pa]	0
Sound pressure level	[dB(A)]	60

ml = max. load · me = max. efficiency · rfa = running at free air · cs = customer specs · cu = customer unit
 Subject to alterations

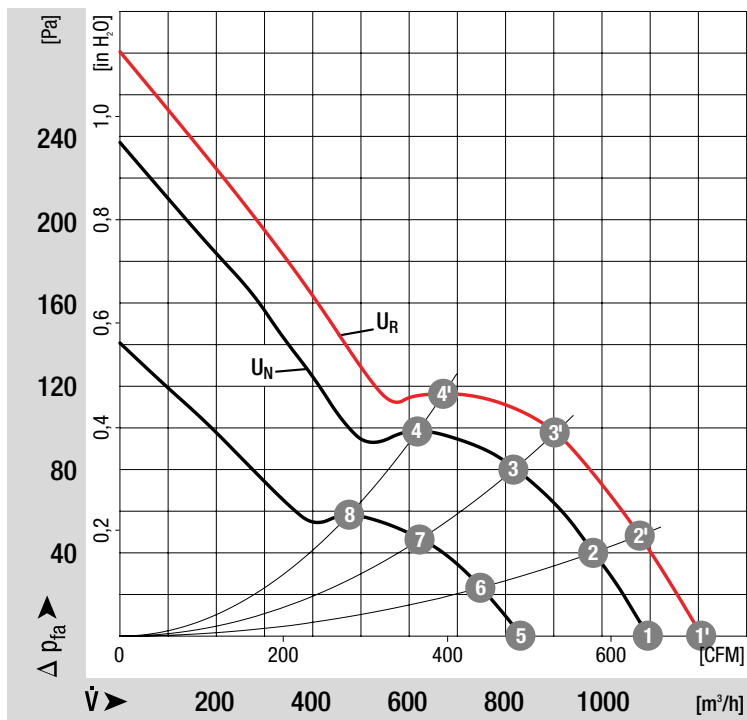
Technical features

Leakage current	<= 0,25 mA
Dimensions	200 mm
Size	200 mm
Operation mode	Continuous operation (S1)
Electrical leads	Via terminal strip
Direction of air flow	"V"
Insulation class	"B"
Bearing-motor	Ball bearing
Mass	2.1 kg
Housing material	Die-cast aluminum
Material of impeller	Sheet steel, coated in black
Motor protection	Reverse polarity and locked-rotor protection
Type of protection	IP 42
Protection class	I
Technical features	Control input 0-10 VDC / PWM, tach output, polarity and locked rotor protection
Approval	CCC; CSA C22.2 Nr.77; UL 1004

Product drawing



Charts: Air flow



	n	P ₁	η _{TL}
	[min ⁻¹]	[W]	[%]
1'	2300	73	
2'	2970	77	67
3'	3100	80	64
4'	2970	80	54
1	2950	55	
2	2890	58	67
3	2800	61	64
4	2780	63	54
5	2270	27	
6	2230	28	67
7	2170	29	64
8	2130	30	54