

**ebm-papst St. Georgen GmbH & Co. KG**

Hermann-Papst-Straße 1

74673 St. Georgen

Phone: +49 7724 81-0

Fax: +49 7724 81-1309

www.ebmpapst.com

info2@de.ebmpapst.com

Nominal data

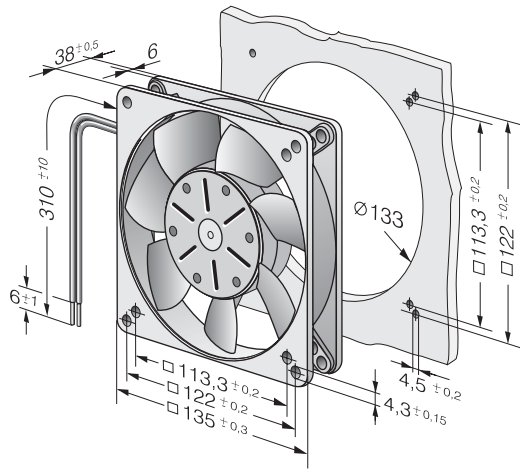
Type	5118 NL	
Nominal voltage	[VDC]	48
Speed	[min ⁻¹]	1400
Power input	[W]	2.6
Min. ambient temperature	[°C]	-25
Max. ambient temperature	[°C]	72
Air flow	[m ³ /h]	122
Sound power level	[B]	4.1
Sound pressure level	[dB(A)]	28

ml = max. load · me = max. efficiency · rfa = running at free air · cs = customer specs · cu = customer unit
Subject to alterations

Technical features

Dimensions	135 x 135 x 38 mm
General description	DC fan with electronically commutated external rotor motor. Commutation electronics completely integrated.
Connection line	2 single strands AWG 22, TR 64. Housing with grounding lug for tapping screw M4 x 8 (TORX), with screws.
Locked-rotor protection	Electronic blocking protection
Direction of protection	Left, looking at rotor
Direction of air flow	Air exhaust over bars
Bearing	Ball bearings
Lifetime L10 at 40 °C	85000 h
Lifetime L10 at maximum temperature	40000 h
Mass	0.650 kg
Material of impeller	Metal
Motor protection	With electronic reverse polarity protection. The fan runs only if the polarity is correct.
Approval	CE

Product drawing



Charts: Air flow

