

6248 NT

# DC axial compact fan



## ebm-papst St. Georgen GmbH & Co. KG

Hermann-Papst-Straße 1

74673 St. Georgen

Phone: +49 7724 81-0

Fax: +49 7724 81-1309

www.ebmpapst.com

info2@de.ebmpapst.com

## Nominal data

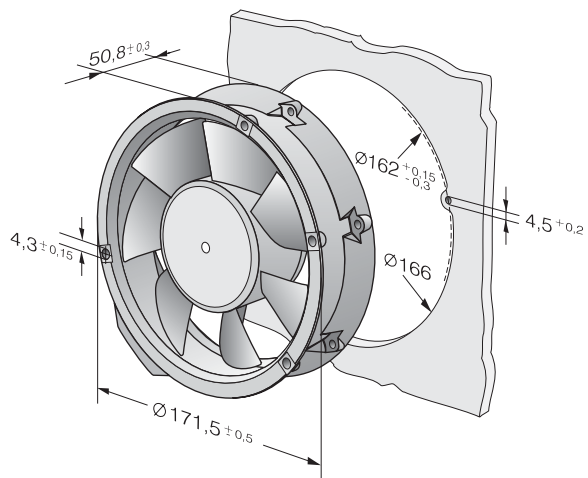
Type	6248 NT	
Nominal voltage	[VDC]	48
Speed	[min <sup>-1</sup> ]	3400
Power input	[W]	17.0
Min. ambient temperature	[°C]	-10
Max. ambient temperature	[°C]	72
Air flow	[m <sup>3</sup> /h]	410
Sound power level	[B]	6.1
Sound pressure level	[dB(A)]	55

ml = max. load · me = max. efficiency · rfa = running at free air · cs = customer specs · cu = customer unit  
Subject to alterations

**Technical features**

<b>Dimensions</b>	172 Ø x 51 mm
<b>General description</b>	DC fan with electronically commutated external rotor motor. Commutation electronics completely integrated. Optional Vario-Pro: Highly flexible software configuration for the fan ensures an easily customizable solution to meet the individual requirements of your application.
<b>Connection line</b>	2 flat plugs 3.0 x 0.5 mm. Housing with grounding lug for screw M4 x 8 (TORX), with screws.
<b>Locked-rotor protection</b>	Electronic blocking protection, with electronic motor current limit in the startup phase and when the rotor is blocked.
<b>Direction of protection</b>	Left, looking at rotor
<b>Direction of air flow</b>	Air exhaust over bars
<b>Bearing</b>	Ball bearings
<b>Lifetime L10 at 40 °C</b>	77500 h
<b>Lifetime L10 at maximum temperature</b>	35000 h
<b>Mass</b>	0.820 kg
<b>Material of impeller</b>	Fiberglass-reinforced PA plastic
<b>Motor protection</b>	With electronic reverse polarity protection. The fan runs only if the polarity is correct.
<b>Approval</b>	VDE, CSA, UL, CE

## Product drawing



**Charts: Air flow**

