

**ebm-papst St. Georgen GmbH & Co. KG**

Hermann-Papst-Straße 1

74673 St. Georgen

Phone: +49 7724 81-0

Fax: +49 7724 81-1309

www.ebmpapst.com

info2@de.ebmpapst.com

Nominal data

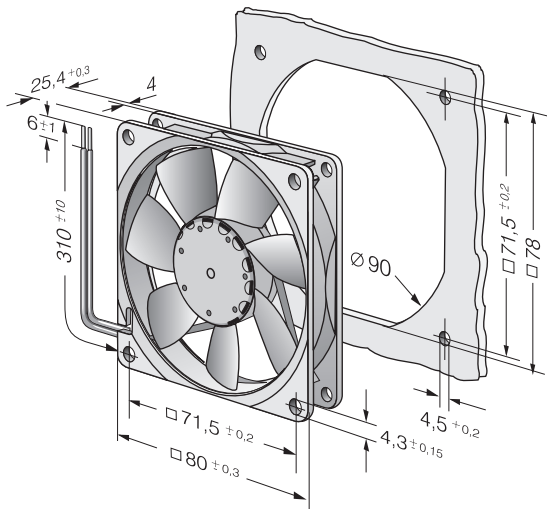
Type	8412 NGMLE	
Nominal voltage	[VDC]	12
Speed	[min ⁻¹]	2050
Power input	[W]	0.9
Min. ambient temperature	[°C]	-20
Max. ambient temperature	[°C]	80
Air flow	[m ³ /h]	45
Sound power level	[dB(A)]	3.9
Sound pressure level	[dB(A)]	19

ml = max. load · me = max. efficiency · rfa = running at free air · cs = customer specs · cu = customer unit
 Subject to alterations

Technical features

Dimensions	80 x 80 x 25 mm
General description	Electronic commutation completely integrated.
Connection line	Single strands AWG 24, TR 64, bared and tin-plated.
Locked-rotor protection	Blocking and overload protection
Direction of protection	Left, looking at rotor
Direction of air flow	Air exhaust over bars
Bearing	Sintec sleeve bearing system
Lifetime L10 at 40 °C	80000 h
Lifetime L10 at maximum temperature	32500 h
Mass	0.095 kg
Material of impeller	Fiberglass-reinforced PA plastic
Motor protection	Protected against reverse polarity and locking.
Option	Speed signal,
Approval	VDE, CSA, UL, CE

Product drawing



Charts: Air flow

