

DV 4112 N

DC diagonal compact fan

sickled blades (S series)



ebm-papst St. Georgen GmbH & Co. KG

Hermann-Papst-Straße 1

74673 St. Georgen

Phone: +49 7724 81-0

Fax: +49 7724 81-1309

www.ebmpapst.com

info2@de.ebmpapst.com

Nominal data

| Type | DV 4112 N | |
|--------------------------|----------------------|------|
| Nominal voltage | [VDC] | 12 |
| Speed | [min ⁻¹] | 6000 |
| Power input | [W] | 21.0 |
| Min. ambient temperature | [°C] | -20 |
| Max. ambient temperature | [°C] | 65 |
| Air flow | [m ³ /h] | 275 |
| Sound power level | [B] | 6.7 |
| Sound pressure level | [dB(A)] | 60 |

ml = max. load · me = max. efficiency · rfa = running at free air · cs = customer specs · cu = customer unit
Subject to alterations

Technical features

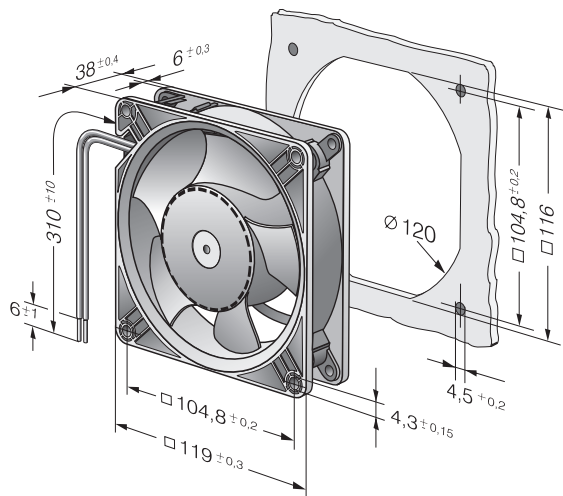
| | |
|--|--|
| Dimensions | 119 x 119 x 38 mm |
| General description | Diagonal fan with low noise when there is a high pressure saddle curve. Rigid compression curve for high air flow at high counterpressure. Optional Vario-Pro: Highly flexible software configuration for the fan ensures an easily customizable solution to meet the individual requirements of your application. Electronic commutation completely integrated. |
| Connection line | Single strands AWG 22, TR 64, bared and tin-plated. |
| Locked-rotor protection | With electronic blocking and overload protection |
| Direction of protection | Left, looking at rotor |
| Direction of air flow | Air exhaust over bars |
| Bearing | Ball bearings |
| Lifetime L10 at 40 °C | 70000 h |
| Lifetime L10 at maximum temperature | 40000 h |
| Mass | 0.375 kg |
| Material of impeller | Fiberglass-reinforced PA plastic. |
| Motor protection | Protected against reverse polarity and locking. |
| Option | Vario-Pro fan |
| Approval | VDE, CSA, UL, CE |

DV 4112 N

DC diagonal compact fan

sickled blades (S series)

Product drawing



Charts: Air flow

