

DV 4114 N

# DC diagonal compact fan

sickled blades (S series)



## ebm-papst St. Georgen GmbH & Co. KG

Hermann-Papst-Straße 1

74673 St. Georgen

Phone: +49 7724 81-0

Fax: +49 7724 81-1309

[www.ebmpapst.com](http://www.ebmpapst.com)

[info2@de.ebmpapst.com](mailto:info2@de.ebmpapst.com)

## Nominal data

Type	DV 4114 N	
Nominal voltage	[VDC]	24
Speed	[min <sup>-1</sup> ]	6000
Power input	[W]	21.0
Min. ambient temperature	[°C]	-20
Max. ambient temperature	[°C]	65
Air flow	[m <sup>3</sup> /h]	275
Sound power level	[B]	6.7
Sound pressure level	[dB(A)]	60

ml = max. load · me = max. efficiency · rfa = running at free air · cs = customer specs · cu = customer unit  
Subject to alterations

## Technical features

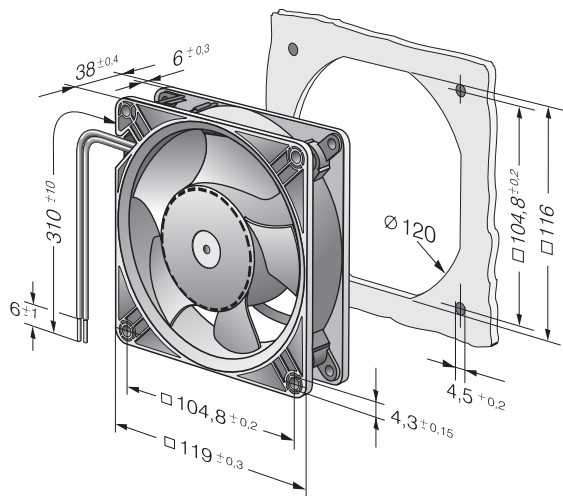
<b>Dimensions</b>	119 x 119 x 38 mm
<b>General description</b>	Diagonal fan with low noise when there is a high pressure saddle curve. Rigid compression curve for high air flow at high counterpressure. Optional Vario-Pro: Highly flexible software configuration for the fan ensures an easily customizable solution to meet the individual requirements of your application. Electronic commutation completely integrated.
<b>Connection line</b>	Single strands AWG 22, TR 64, bared and tin-plated.
<b>Locked-rotor protection</b>	With electronic blocking and overload protection
<b>Direction of protection</b>	Left, looking at rotor
<b>Direction of air flow</b>	Air exhaust over bars
<b>Bearing</b>	Ball bearings
<b>Lifetime L10 at 40 °C</b>	70000 h
<b>Lifetime L10 at maximum temperature</b>	40000 h
<b>Mass</b>	0.375 kg
<b>Material of impeller</b>	Fiberglass-reinforced PA plastic.
<b>Motor protection</b>	Protected against reverse polarity and locking.
<b>Option</b>	Speed signal
<b>Approval</b>	VDE, CSA, UL, CE

DV 4114 N

# DC diagonal compact fan

sickled blades (S series)

## Product drawing



Charts: Air flow

