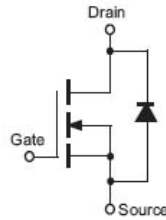


2N7002W

N-Channel Enhancement Mode Field Effect Transistor

Features

- Low On-Resistance
- Low Gate Threshold Voltage
- Low Input Capacitance
- Fast Switching Speed
- Low Input/Output Leakage
- Ultra-Small Surface Mount Package
- Lead Free/RoHS Compliant



Absolute Maximum Ratings * $T_a = 25^\circ\text{C}$ unless otherwise noted

| Symbol | Parameter | Value | Units |
|----------------|---|----------------------------------|------------------|
| V_{DSS} | Drain-Source Voltage | 60 | V |
| V_{DGR} | Drain-Gate Voltage $R_{GS} \leq 1.0M\Omega$ | 60 | V |
| V_{GSS} | Gate-Source Voltage | Continuous | ± 20 |
| | | Pulsed | ± 40 |
| I_D | Drain Current | Continuous | 115 |
| | | Continuous @ 100°C | 73 |
| | | Pulsed | 800 |
| T_J, T_{STG} | Junction and Storage Temperature Range | -55 to +150 | $^\circ\text{C}$ |

* These ratings are limiting values above which the serviceability of any semiconductor device may be impaired.

Thermal Characteristics

| Symbol | Parameter | Value | Units |
|-----------------|---|-------|----------------------------|
| P_D | Total Device Dissipation Derating above $T_A = 25^\circ\text{C}$ | 200 | mW |
| | | 1.6 | $\text{mW}/^\circ\text{C}$ |
| $R_{\theta JA}$ | Thermal Resistance, Junction to Ambient * | 625 | $^\circ\text{C}/\text{W}$ |

* Device mounted on FR-4 PCB, 1 inch x 0.85 inch x 0.062 inch. Minimum land pad size,

Electrical Characteristics $T_C = 25^\circ\text{C}$ unless otherwise noted

| Symbol | Parameter | Test Condition | MIN | TYP | MAX | Units |
|--------|-----------|----------------|-----|-----|-----|-------|
|--------|-----------|----------------|-----|-----|-----|-------|

Off Characteristics (Note1)

| | | | | | | |
|------------|---------------------------------|--|----|------------|------------|---------|
| BV_{DSS} | Drain-Source Breakdown Voltage | $V_{GS} = 0V, I_D = 10\mu A$ | 60 | 78 | - | V |
| I_{DSS} | Zero Gate Voltage Drain Current | $V_{DS} = 60V, V_{GS} = 0V$ $V_{DS} = 60V, V_{GS} = 0V, @T_C = 125^\circ\text{C}$ | - | 0.001 7 | 1.0 500 | μA |
| I_{GSS} | Gate-Body Leakage | $V_{GS} = \pm 20V, V_{DS} = 0V$ | - | 0.2 | ± 10 | nA |

On Characteristics (Note1)

| | | | | | | |
|--------------|----------------------------------|---|--------|-------------|-------------|----------|
| $V_{GS(th)}$ | Gate Threshold Voltage | $V_{DS} = V_{GS}, I_D = 250\mu A$ | 1.0 | 1.76 | 2.0 | V |
| $R_{DS(ON)}$ | Satic Drain-Source On-Resistance | $V_{GS} = 5V, I_D = 0.05A,$ $V_{GS} = 10V, I_D = 0.5A, @T_j = 125^\circ\text{C}$ | - - | 1.6 2.53 | 7.5 13.5 | Ω |
| $I_{D(ON)}$ | On-State Drain Current | $V_{GS} = 10V, V_{DS} = 7.5V$ | 0.5 | 1.43 | - | A |
| g_{FS} | Forward Transconductance | $V_{DS} = 10V, I_D = 0.2A$ | 80 | 356.5 | - | mS |

Dynamic Characteristics

| | | | | | | |
|-----------|------------------------------|--|---|------|-----|----|
| C_{iss} | Input Capacitance | $V_{DS} = 25V, V_{GS} = 0V, f = 1.0\text{MHz}$ | - | 37.8 | 50 | pF |
| C_{oss} | Output Capacitance | | - | 12.4 | 25 | pF |
| C_{rss} | Reverse Transfer Capacitance | | - | 6.5 | 7.0 | pF |

Switching Characteristics

| | | | | | | |
|--------------|---------------------|--|---|------|----|----|
| $t_{D(ON)}$ | Turn-On Delay Time | $V_{DD} = 30V, I_D = 0.2A, V_{GEN} = 10V$ $R_L = 150\Omega, R_{GEN} = 25\Omega$ | - | 5.85 | 20 | ns |
| $t_{D(OFF)}$ | Turn-Off Delay Time | | - | 12.5 | 20 | |

Note1 : Short duration test pulse used to minimize self-heating effect.

Typical Performance Characteristics

Figure 1. On-Region Characteristics

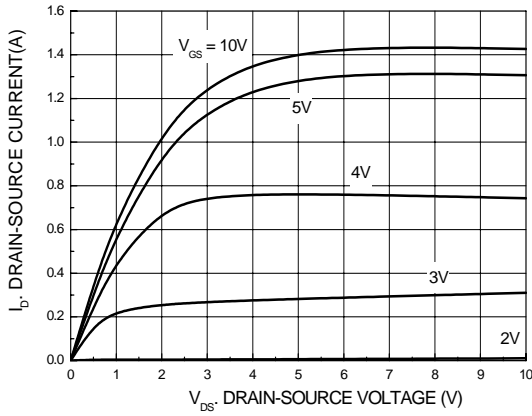


Figure 2. On-Resistance Variation with Gate Voltage and Drain Current

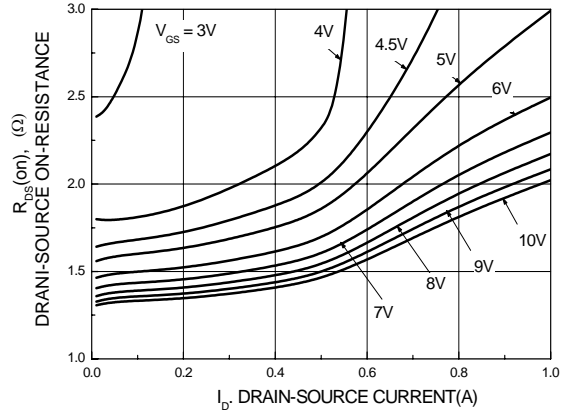


Figure 3. On-Resistance Variation with Temperature

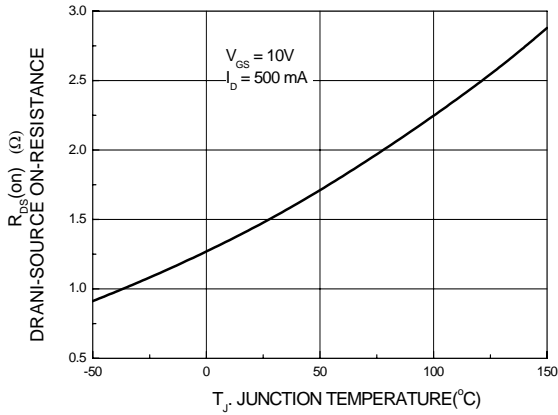


Figure 4. On-Resistance Variation with Gate-Source Voltage

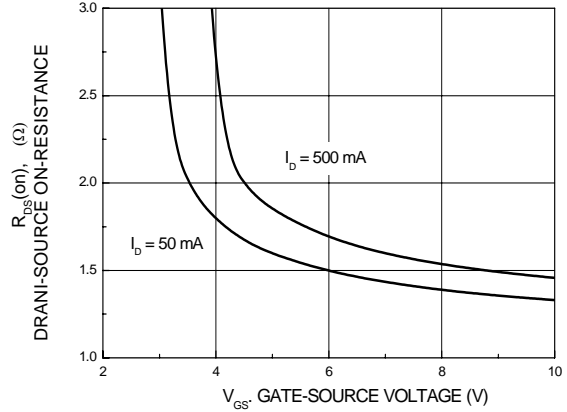


Figure 5. Transfer Characteristics

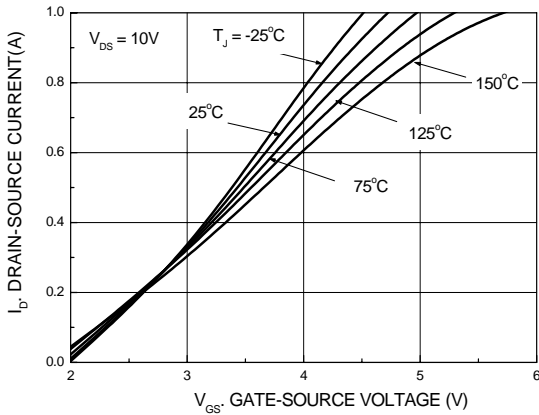
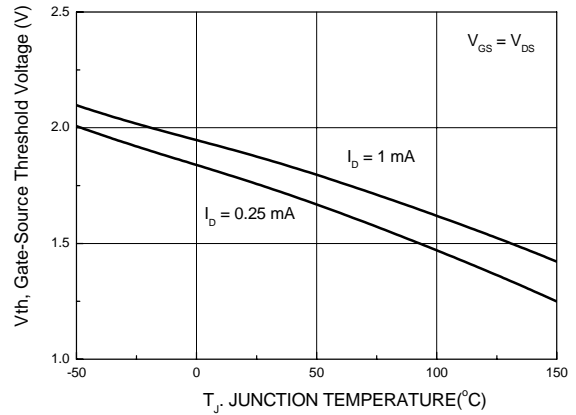


Figure 6. Gate Threshold Variation with Temperature



Typical Performance Characteristics

Figure 7. Reverse Drain Current Variation with Diode Forward Voltage and Temperature

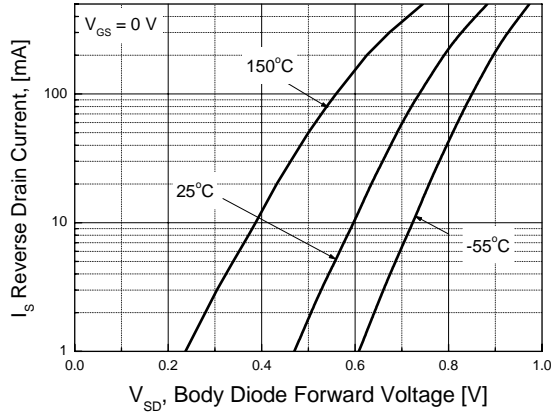
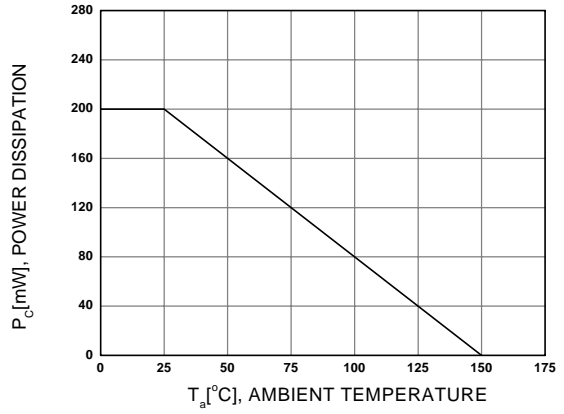
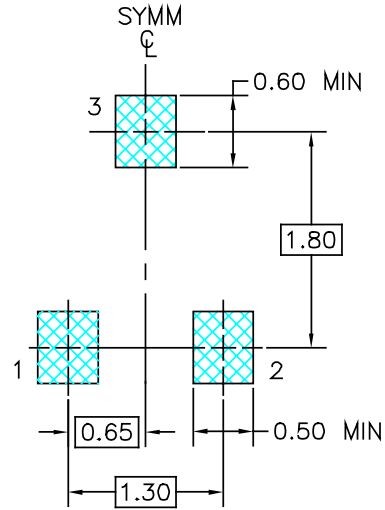
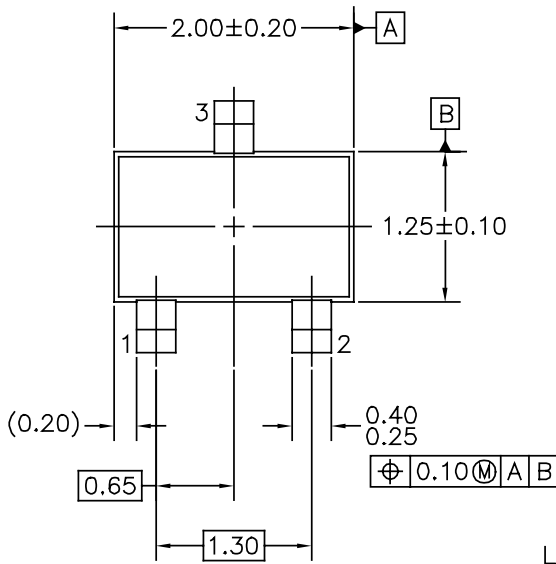


Figure 8. Power Derating

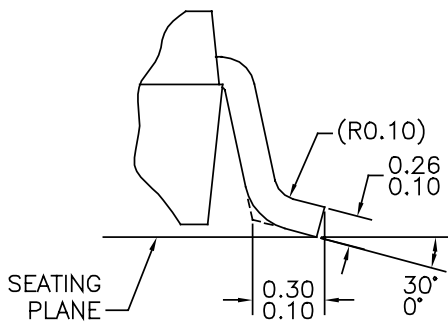
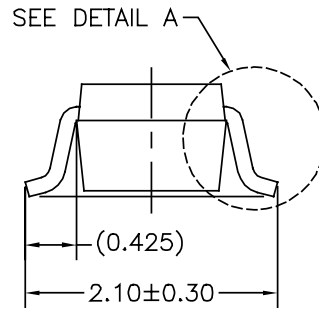
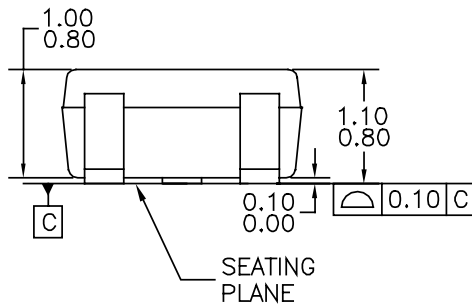


Package Dimensions

SOT323



LAND PATTERN RECOMMENDATION



DETAIL A
SCALE: 2X

NOTES: UNLESS OTHERWISE SPECIFIED

- A) THIS PACKAGE CONFORMS TO EIAJ SC-70.
- B) ALL DIMENSIONS ARE IN MILLIMETERS.
- C) DIMENSIONS DO NOT INCLUDE BURRS OR MOLD FLASH.



TRADEMARKS

The following are registered and unregistered trademarks and service marks Fairchild Semiconductor owns or is authorized to use and is not intended to be an exhaustive list of all such trademarks.

| | | | |
|-------------------------------------|---|----------------------------|---------------------------|
| ACEx® | Green FPS™ | Power247® | SuperSOT™-8 |
| Build it Now™ | Green FPS™ e-Series™ | POWEREDGE® | SyncFET™ |
| CorePLUS™ | GTO™ | Power-SPM™ | The Power Franchise® |
| CROSSVOLT™ | <i>i-Lo</i> ™ | PowerTrench® | p wer franchise |
| CTL™ | IntelliMAX™ | Programmable Active Droop™ | TinyBoost™ |
| Current Transfer Logic™ | ISOPLANAR™ | QFET® | TinyBuck™ |
| EcoSPARK® | MegaBuck™ | QS™ | TinyLogic® |
| F ® | MICROCOUPLER™ | QT Optoelectronics™ | TINYOPTO™ |
| Fairchild® | MicroFET™ | Quiet Series™ | TinyPower™ |
| Fairchild Semiconductor® | MicroPak™ | RapidConfigure™ | TinyPWM™ |
| FACT Quiet Series™ | Motion-SPM™ | SMART START™ | TinyWire™ |
| FACT® | OPTOLOGIC® | SPM® | µSerDes™ |
| FAST® | OPTOPLANAR® | STEALTH™ | UHC® |
| FastvCore™ |  ® | SuperFET™ | UniFET™ |
| FPS™ | PDP-SPM™ | SuperSOT™-3 | VCX™ |
| FRFET® | Power220® | SuperSOT™-6 | |
| Global Power Resource SM | | | |

DISCLAIMER

FAIRCHILD SEMICONDUCTOR RESERVES THE RIGHT TO MAKE CHANGES WITHOUT FURTHER NOTICE TO ANY PRODUCTS HEREIN TO IMPROVE RELIABILITY, FUNCTION, OR DESIGN. FAIRCHILD DOES NOT ASSUME ANY LIABILITY ARISING OUT OF THE APPLICATION OR USE OF ANY PRODUCT OR CIRCUIT DESCRIBED HEREIN; NEITHER DOES IT CONVEY ANY LICENSE UNDER ITS PATENT RIGHTS, NOR THE RIGHTS OF OTHERS. THESE SPECIFICATIONS DO NOT EXPAND THE TERMS OF FAIRCHILD'S WORLDWIDE TERMS AND CONDITIONS, SPECIFICALLY THE WARRANTY THEREIN, WHICH COVERS THESE PRODUCTS.

LIFE SUPPORT POLICY

FAIRCHILD'S PRODUCTS ARE NOT AUTHORIZED FOR USE AS CRITICAL COMPONENTS IN LIFE SUPPORT DEVICES OR SYSTEMS WITHOUT THE EXPRESS WRITTEN APPROVAL OF FAIRCHILD SEMICONDUCTOR CORPORATION.

As used herein:

1. Life support devices or systems are devices or systems which, (a) are intended for surgical implant into the body, or (b) support or sustain life, and (c) whose failure to perform when properly used in accordance with instructions for use provided in the labeling, can be reasonably expected to result in significant injury to the user.
2. A critical component is any component of a life support device or system whose failure to perform can be reasonably expected to cause the failure of the life support device or system, or to affect its safety or effectiveness.

PRODUCT STATUS DEFINITIONS

Definition of Terms

| Datasheet Identification | Product Status | Definition |
|--------------------------|------------------------|--|
| Advance Information | Formative or In Design | This datasheet contains the design specifications for product development. Specifications may change in any manner without notice. |
| Preliminary | First Production | This datasheet contains preliminary data; supplementary data will be published at a later date. Fairchild Semiconductor reserves the right to make changes at any time without notice to improve design. |
| No Identification Needed | Full Production | This datasheet contains final specifications. Fairchild Semiconductor reserves the right to make changes at any time without notice to improve design. |
| Obsolete | Not In Production | This datasheet contains specifications on a product that has been discontinued by Fairchild semiconductor. The datasheet is printed for reference information only. |

Rev. I30