

BL0508-09-73

Features

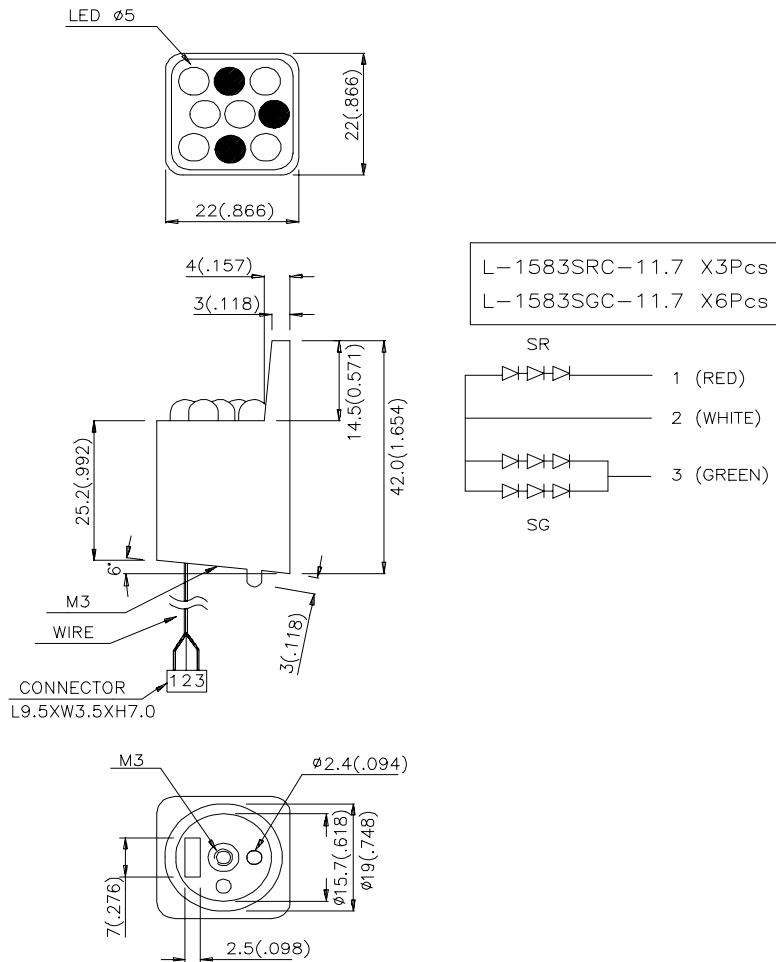
- HIGH VISIBILITY.
- EMITTING COLOR: HYPERRED.
- NO. OF BUILT-IN 5mm LED LAMPS: Super Brihg
Red 3 Pcs,Super Bright Green 6 Pcs.
- WATERPROOF PACKAGE WITH HOOD SUITABLE
FOR OUTDOOR AND INDOOR INFORMATION BOARDS.

Description

The Super Bright Red source color devices are made with Gallium Aluminum Arsenide Red Light Emitting Diode.

The Super Bright Green source color devices are made with Gallium Phosphide Green Light Emitting Diode.

Package Dimensions



Notes:

1. All dimensions are in millimeters (inches).
2. Tolerance is $\pm 0.25(0.01)$ " unless otherwise noted.
3. Specifications are subjected to change without notice.

Electrical / Optical Characteristics at T_A=25°C

Symbol	Parameter	Device	Term	Min.	Typ.	Max.	Units	Test Conditions
I _v	Luminous Intensity	BL0508-09-73	SR	480	1200	-	mcd	I _F =20mA
			SG	380	800	-	mcd	I _F =40mA
2θ1/2	Viewing Angle		-	-	40	-	Deg	-
V _F	Forward Voltage		SR	-	5.6	7.5	V	I _F =20mA
			SG	-	6.6	7.5	V	I _F =40mA
λ _{peak}	Peak Wavelength		SR	-	660	-	nm	I _F =20mA
			SG	-	565	-		I _F =40mA
λ _D	Dominant wavelength		SR	-	640	-	nm	I _F =20mA
			SG	-	568	-		I _F =40mA
Δλ1/2	Spectral Line Half-width		SR	-	20	-	nm	I _F =20mA
		SG	-	30	-	I _F =40mA		
I _R	Reverse Current	-	-	-	30	μA	V _R = 5V	

Absolute Maximum Ratings at T_A=25°C

Parameter	Value		Units
	SR	SG	
Total Power dissipation	600		mW
DC Forward Current	30	25	mA
Reverse Voltage	5		V
Operating Temperature	-40 ~ +70		°C
Storage Temperature	-40 ~ +85		°C