

---

## 16-BIT, 40/80 MSPS ADCs WITH DDR LVDS/CMOS OUTPUTS

---

### FEATURES

- 16-Bit Resolution
- Maximum Sample Rate
  - ADS5562 - 80 MSPS
  - ADS5560 - 40 MSPS
- Total Power
  - 865 mW at 80MSPS
  - 674 mW at 40MSPS
- No Missing Codes
- High SNR 84 dBFS (3 MHz IF)
- 85 dBc SFDR (3 MHz IF)
- Low Frequency Noise Suppression Mode
- Programmable Fine Gain, 1dB steps till 6dB
- Double Data Rate (DDR) LVDS and Parallel CMOS Output Options

- Internal/External Reference Support
- 3.3-V Analog and Digital Supply
- Pin-for-pin with ADS5547 Family
- 48-QFN Package (7 mm × 7 mm)

### APPLICATIONS

- Medical Imaging - MRI
- Wireless Communications Infrastructure
- Software Defined Radio
- Test and Measurement Instrumentation
- High Definition Video

### DESCRIPTION

ADS556X is a high performance 16-bit A/D converter family with sampling rates up to 80 MSPS. It supports very high SNR for input frequencies in the first Nyquist zone. The device includes a low frequency noise suppression mode that improves the noise from dc to about 1MHz.

In addition to high performance, the device offers several flexible features such as output interface (either Double Data Rate LVDS or parallel CMOS) and fine gain (in 1 dB steps till 6 dB).

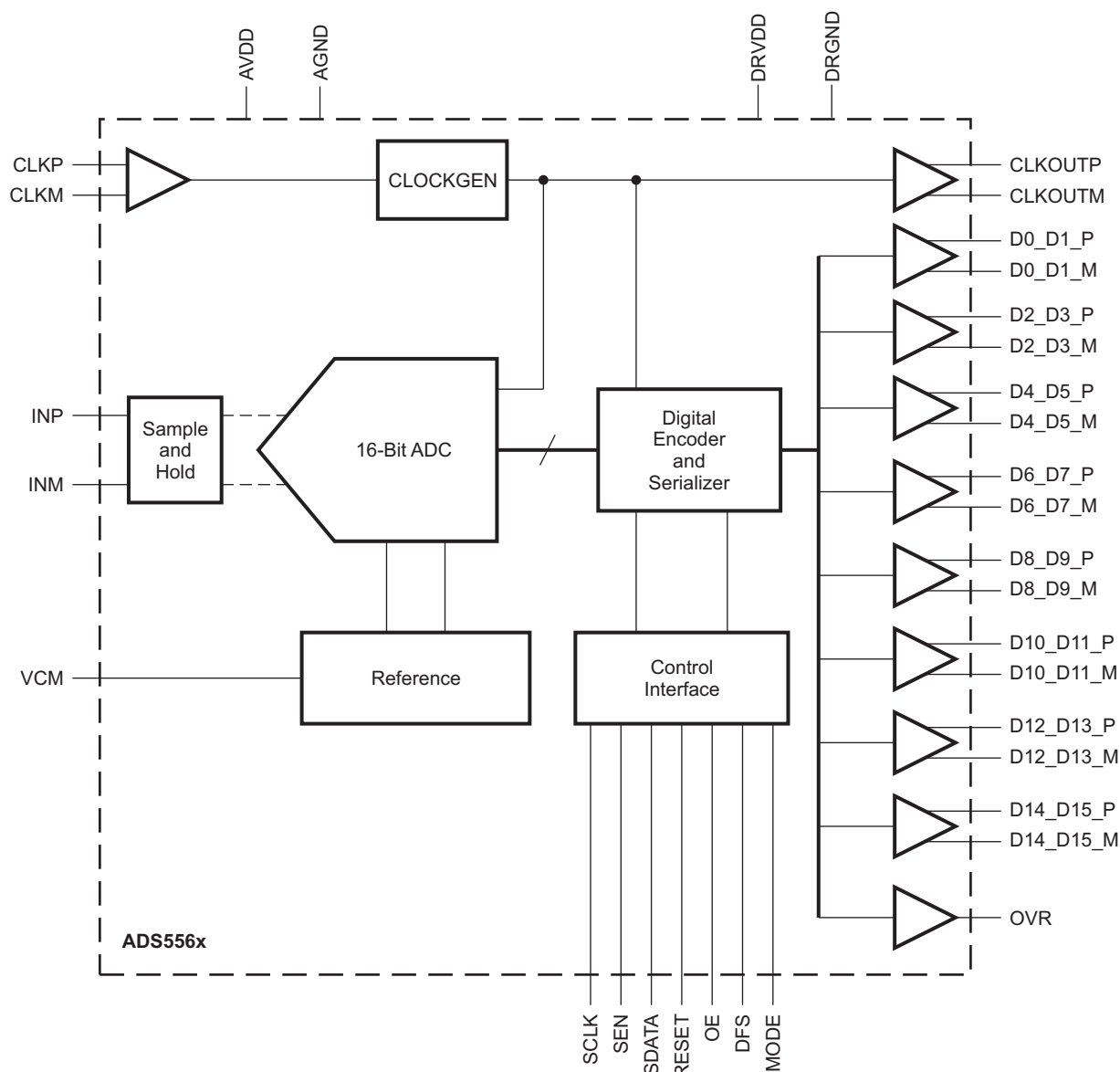
Innovative techniques, such as DDR LVDS and an internal reference that does not require external decoupling capacitors, have been used to achieve significant savings in pin-count. This results in a compact 7 mm x 7 mm 48 pin QFN package.

The device can be put in an external reference mode, where the VCM pin behaves as the external reference input. For applications where power is important, ADS556X offers power down modes and automatic power scaling at lower sample rates.

It is specified over the industrial temperature range (-40°C to +85°C).



Please be aware that an important notice concerning availability, standard warranty, and use in critical applications of Texas Instruments semiconductor products and disclaimers thereto appears at the end of this data sheet.



LVDS INTERFACE

B0095-05

**PACKAGE/ORDERING INFORMATION<sup>(1)</sup>**

PRODUCT	PACKAGE-LEAD	PACKAGE DESIGNATOR	SPECIFIED TEMPERATURE RANGE	PACKAGE MARKING	ORDERING NUMBER	TRANSPORT MEDIA
ADS5562	QFN-48	RGZ	-40°C to 85°C	AZ5562	ADS5562IRGZT	Tape and Reel, small
					ADS5562IRGZR	Tape and Reel, large
ADS5560	QFN-48	RGZ	-40°C to 85°C	AZ5560	ADS5560IRGZT	Tape and Reel, small
					ADS5560IRGZR	Tape and Reel, large

(1)  $\theta_{JA} = 25.41\text{ }^{\circ}\text{C/W}$  (0 LFM Air Flow),  $\theta_{JC} = 16.5\text{ }^{\circ}\text{C/W}$  when used with 2 oz. copper trace and the thermal pad is soldered directly to a JEDEC standard four layer 3 in. x 3 in. (7.62 cm x 7.62 cm) PCB. Thermal pad is 5.2 x 5.2 mm. Please see mechanical drawings in the back of the datasheet for details.

## ABSOLUTE MAXIMUM RATINGS<sup>(1)</sup>

over operating free-air temperature range (unless otherwise noted)

		VALUE	UNIT
AVDD	Supply voltage range	-0.3 V to 3.9	V
DRVDD	Supply voltage range	-0.3 V to 3.9	V
	Voltage between AGND and DRGND	-0.3 to 0.3	V
	Voltage between AVDD to DRVDD	-0.3 to 3.3	V
	Voltage applied to VCM pin (in external reference mode)	-0.3 to 1.8	V
	Voltage applied to analog input pins	-0.3 V to minimum (3.6, AVDD + 0.3 V)	V
T <sub>A</sub>	Operating free-air temperature range	-40 to 85	°C
T <sub>jmax</sub>	Operating junction temperature range	125	°C
T <sub>STG</sub>	Storage temperature range	-65 to 150	°C
	Lead temperature 1,6 mm (1/16") from the case for 10 seconds	220	°C

(1) Stresses beyond those listed under *absolute maximum ratings* may cause permanent damage to the device. These are stress ratings only and functional operation of the device at these or any other conditions beyond those indicated under *recommended operating conditions* is not implied. Exposure to absolute maximum rated conditions for extended periods may affect device reliability.

## RECOMMENDED OPERATING CONDITIONS

over operating free-air temperature range (unless otherwise noted)

			MIN	TYP	MAX	UNIT
<b>SUPPLIES AND REFERENCES</b>						
AVDD	Analog supply voltage		3	3.3	3.6	V
DRVDD	Digital supply voltage		3	3.3	3.6	V
<b>ANALOG INPUTS</b>						
	Differential input voltage range (with default fine gain=1 dB)			3.56		V <sub>PP</sub>
	Input common-mode voltage			1.5 ±0.1		V
	Voltage applied on VCM in external reference mode			1.5 ±0.05		V
<b>CLOCK INPUT</b>						
Sample rate	ADS5562	DEFAULT SPEED mode	> 30		80	MSP S
		LOW SPEED mode <sup>(1)</sup>	1		30	MSP S
	ADS5560	DEFAULT SPEED mode	> 30		40	MSP S
		LOW SPEED mode	1		30	MSP S
	Supported clock waveform formats		Sine wave, LVPECL, LVDS, LVCMOS			
	Clock amplitude, ac-coupled, differential (V <sub>CLKP</sub> - V <sub>CLKM</sub> )		0.4			V <sub>PP</sub>
	Clock duty cycle		45%	50%	55%	
<b>DIGITAL OUTPUTS</b>						
C <sub>L</sub>	Maximum external load capacitance from each output pin to DRGND (LVDS and CMOS modes)		5			pF
R <sub>L</sub>	Differential external load resistance between the LVDS output pairs (LVDS mode)		100			Ω
	Operating free-air temperature		-40			85 °C

(1) See [Low sampling frequency operation](#) in application section for details.

## ELECTRICAL CHARACTERISTICS

Typical values are at 25°C, AVDD = DRVDD = 3.3 V, sampling rate = Max Rated, sine wave input clock, 1.5 V<sub>PP</sub> clock amplitude, 50% clock duty cycle, –1 dBFS differential analog input, internal reference mode, DDR LVDS interface, *default fine gain (1dB)*.

Min and max values are across the full temperature range T<sub>MIN</sub> = –40°C to T<sub>MAX</sub> = 85°C, AVDD = DRVDD = 3.3 V, sampling rate = Max Rated, unless otherwise noted.

PARAMETER	TEST CONDITIONS	ADS5562			ADS5560			UNIT
		MIN	TYP	MAX	MIN	TYP	MAX	
<b>RESOLUTION</b>		16			16			bits
<b>ANALOG INPUT</b>								
	Differential input voltage range <sup>(1)</sup>	3.56			3.56			V <sub>PP</sub>
	Differential input capacitance	5			5			pF
	Analog input bandwidth	300			300			MHz
	Analog input common mode current (per input pin)	6.6			6.6			μA/MSPS
VCM	Common mode output voltage	1.5			1.5			V
	VCM output current capability	±4			±4			mA
<b>DC ACCURACY</b>								
	No Missing Codes	0 dB gain			Assured			Assured
DNL	Differential non-linearity	-0.95	0.5	3	-0.95	0.5	3	LSB
INL	Integral non-linearity	-8.5	±3	8.5	-8.5	±3	8.5	LSB
	Offset error	-25	±10	25	-25	±10	25	mV
	Offset error temperature coefficient	0.005			0.005			mV/°C
	Variation of offset error across AVDD supply	1.5			1.5			mV/V
There are two sources of gain error: i) internal reference inaccuracy and ii) channel gain error								
E <sub>GREF</sub>	Gain error due to internal reference inaccuracy alone	-2.5	±1	2.5	-2.5	±1	2.5	%FS
E <sub>CHAN</sub>	Channel gain error alone	-2.5	±1	2.5	-2.5	±1	2.5	%FS
	Channel gain error temperature coefficient	0.01			0.01			Δ%/°C
<b>POWER SUPPLY</b>								
IAVDD	Analog supply current	210 250			160 190			mA
IDRVDD	Digital supply current C <sub>L</sub> = 5 pF	LVDS mode I <sub>O</sub> = 3.5 mA, R <sub>L</sub> = 100 Ω			44			mA
		CMOS mode F <sub>IN</sub> = 3 MHz			37			mA
	Total power	865 1100			674 810			mW
	Standby power	155			135			mW
	Clock stop power	125 150			125 150			mW

(1) The full-scale voltage range is a function of the fine gain settings. See [Table 23](#).

## ELECTRICAL CHARACTERISTICS (Continued)

Typical values are at 25°C, AVDD = DRVDD = 3.3 V, sampling rate = Max Rated, sine wave input clock, 1.5 V<sub>PP</sub> clock amplitude, 50% clock duty cycle, –1 dBFS differential analog input, internal reference mode, DDR LVDS interface, 0 dB fine gain <sup>(1)</sup>.

Min and max values are across the full temperature range T<sub>MIN</sub> = –40°C to T<sub>MAX</sub> = 85°C, AVDD = DRVDD = 3.3 V, sampling rate = Max Rated, *default fine gain (1dB)*, unless otherwise noted.

PARAMETER	TEST CONDITIONS		ADS5562 Fs = 80 MSPS			ADS5560 Fs = 40 MSPS			UNIT
			MIN	TYP	MAX	MIN	TYP	MAX	
<b>AC CHARACTERISTICS</b>									
SNR Signal to noise ratio	F <sub>IN</sub> = 3 MHz	LVDS interface	84			84.3			dBFS
	F <sub>IN</sub> = 10 MHz		79	83.8		80	84		
	F <sub>IN</sub> = 25 MHz		83.2			82.5			
	F <sub>IN</sub> = 30 MHz		82.8			81.8			
	F <sub>IN</sub> = 3 MHz	CMOS interface	81.7			83.5			dBFS
	F <sub>IN</sub> = 10 MHz		77	81.4		78	83.1		
	F <sub>IN</sub> = 25 MHz		80.7			81.8			
	F <sub>IN</sub> = 30 MHz		80.4			81.6			
RMS output noise	Inputs tied to common-mode		1.42			1.42			LSB
SINAD Signal to noise and distortion ratio	F <sub>IN</sub> = 3 MHz	LVDS interface	80.5			83.2			dBFS
	F <sub>IN</sub> = 10 MHz		75	80.5		76	83		
	F <sub>IN</sub> = 25 MHz		79.5			79			
	F <sub>IN</sub> = 30 MHz		79			77			
	F <sub>IN</sub> = 3 MHz	CMOS interface	80.5			82			dBFS
	F <sub>IN</sub> = 10 MHz		73.5	80.2		75	81.4		
	F <sub>IN</sub> = 25 MHz		79.3			79.3			
	F <sub>IN</sub> = 30 MHz		77.9			78			
ENOB Effective number of bits	F <sub>IN</sub> = 10 MHz	LVDS interface	12.2	13.1		12.4	13.5	bits	
SFDR Spurious free dynamic range	F <sub>IN</sub> = 3 MHz	85			90			dBc	
	F <sub>IN</sub> = 10 MHz	77	85		78	88			
	F <sub>IN</sub> = 25 MHz	83			83				
	F <sub>IN</sub> = 30 MHz	80			79				
HD2 Second harmonic	F <sub>IN</sub> = 3 MHz	90			94			dBc	
	F <sub>IN</sub> = 10 MHz	77	89		78	92			
	F <sub>IN</sub> = 25 MHz	88			90				
	F <sub>IN</sub> = 30 MHz	88			88				

(1) Note that after reset, the device is initialized to 1 dB fine gain setting. For SFDR and SNR performance across fine gains, see [Typical Characteristics section](#).

### ELECTRICAL CHARACTERISTICS (Continued)

Typical values are at 25°C, AVDD = DRVDD = 3.3 V, sampling rate = Max Rated, sine wave input clock, 1.5 V<sub>pp</sub> clock amplitude, 50% clock duty cycle, -1 dBFS differential analog input, default fine gain (1dB), internal reference mode, DDR LVDS interface 0 dB fine gain<sup>(1)</sup>.

Min and max values are across the full temperature range T<sub>MIN</sub> = -40°C to T<sub>MAX</sub> = 85°C, AVDD = DRVDD = 3.3 V, sampling rate = Max Rated, default fine gain (1dB), unless otherwise noted.

PARAMETER	TEST CONDITIONS	ADS5562			ADS5560			UNIT
		MIN	TYP	MAX	MIN	TYP	MAX	
HD3 Third harmonic	F <sub>IN</sub> = 3 MHz		85			90		dBc
	F <sub>IN</sub> = 10 MHz	77	85		78	88		
	F <sub>IN</sub> = 25 MHz		83			83		
	F <sub>IN</sub> = 30 MHz		80			79		
Worst harmonic other than HD2, HD3	F <sub>IN</sub> = 3 MHz		104			104		dBc
	F <sub>IN</sub> = 10 MHz		102			102		
	F <sub>IN</sub> = 25 MHz		100			101		
	F <sub>IN</sub> = 30 MHz		100			101		
THD Total harmonic distortion	F <sub>IN</sub> = 3 MHz		84			88		dBc
	F <sub>IN</sub> = 10 MHz	75.5	83		76.5	86		
	F <sub>IN</sub> = 25 MHz		82			81		
	F <sub>IN</sub> = 30 MHz		80			78		
IMD Two-tone intermodulation distortion	F <sub>IN1</sub> = 5 MHz, F <sub>IN2</sub> = 10 MHz each tone -7 dBFS		92			98		dBFS
Voltage overload recovery time	Recovery to 1% for 6-dB overload		1			1		clock cycles

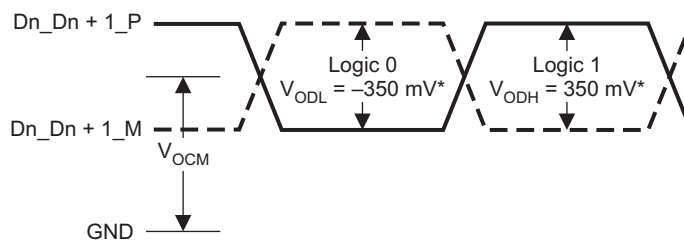
- (1) Note that after reset, the device is initialized to 1 dB fine gain setting. For SFDR and SNR performance across fine gains, see [Typical Characteristics section](#).

## DIGITAL CHARACTERISTICS

DC specifications refer to the condition where the digital outputs are not switching, but are permanently at a valid logic level 0 or 1, AVDD = 3.0V to 3.6V, I<sub>O</sub> = 3.5 mA, R<sub>L</sub> = 100 Ω<sup>(1)(2)</sup>

PARAMETER	TEST CONDITIONS	MIN	TYP	MAX	UNIT
<b>DIGITAL INPUTS</b>					
High-level input voltage		2.4			V
Low-level input voltage				0.8	V
High-level input current			33		μA
Low-level input current			-33		μA
Input capacitance			4		pF
<b>DIGITAL OUTPUTS – CMOS MODE</b>					
High-level output voltage			DRVDD		V
Low-level output voltage			0		V
Output capacitance	Capacitance inside the device from each output pin to ground		4		pF
<b>DIGITAL OUTPUTS – LVDS MODE</b>					
V <sub>ODH</sub> High-level output voltage			+350		mV
V <sub>ODL</sub> Low-level output voltage			-350		mV
V <sub>OCM</sub> Output common-mode voltage			1.2		V
Output capacitance	Capacitance inside the device from each output pin to ground		4		pF

- (1) All LVDS and CMOS specifications are characterized, but not tested at production.  
 (2) I<sub>O</sub> refers to the LVDS buffer current setting; R<sub>L</sub> is the differential load resistance between the LVDS output pair.



\* With external 100-Ω termination

T0334-01

Figure 1. LVDS Output Voltage Levels

**TIMING CHARACTERISTICS – LVDS AND CMOS MODES<sup>(1)</sup>**

Typical values are at 25°C, AVDD = 3.3 V, DRVDD = 3.0 to 3.6V, Sampling frequency = 80 MSPS, sine wave input clock, 50% clock duty cycle, 1.5 V<sub>PP</sub> clock amplitude, C<sub>L</sub> = 5 pF<sup>(2)</sup>, no internal termination, I<sub>O</sub> = 3.5 mA, R<sub>L</sub> = 100 Ω<sup>(3)</sup>  
Min and max values are across the full temperature range T<sub>MIN</sub> = -40°C to T<sub>MAX</sub> = 85°C, AVDD = DRVDD = 3.0 to 3.6V, unless otherwise noted.

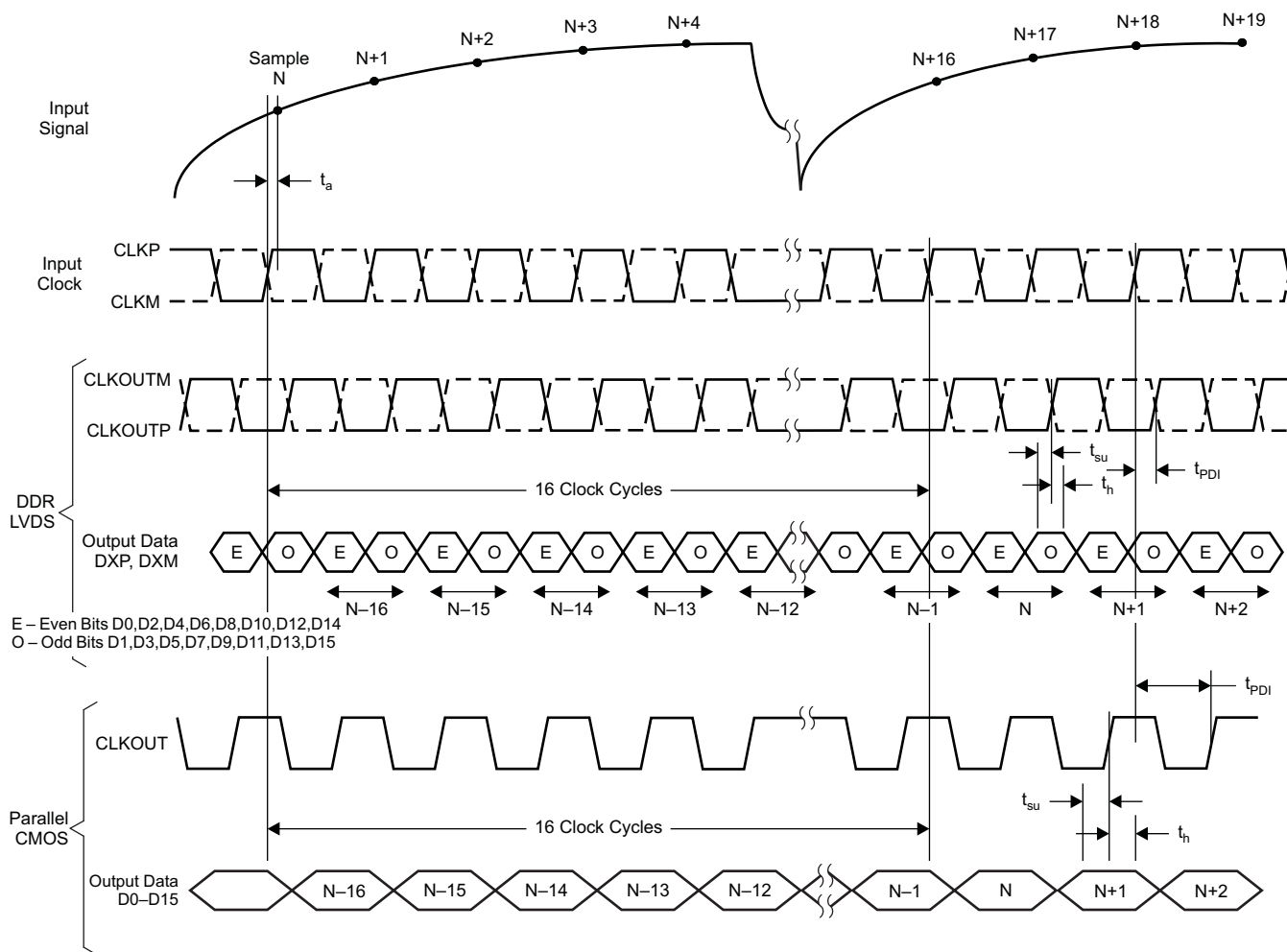
PARAMETER	TEST CONDITIONS	MIN	TYP	MAX	UNIT	
t <sub>a</sub>	Aperture delay	0.5	1.2	2	ns	
t <sub>j</sub>	Aperture jitter	Sampling frequency = 80 MSPS			fs rms	
		Sampling frequency = 40 MSPS			fs rms	
Wake-up time	Time to data stable <sup>(4)</sup> after coming out of STANDBY mode	60			200	μs
	Time to valid data after stopping and restarting the input clock	80				μs
Latency		16				Clock cycles
<b>DDR LVDS MODE<sup>(5)</sup></b>						
	LVDS bit clock duty cycle	47%	50%	53%		
t <sub>su</sub>	Data setup time <sup>(6)</sup>	Data valid <sup>(7)</sup> to zero-crossing of CLKOUTP				ns
t <sub>h</sub>	Data hold time <sup>(6)</sup>	Zero-crossing of CLKOUTP to data becoming invalid <sup>(7)</sup>				ns
t <sub>PDI</sub>	Clock propagation delay	Input clock rising edge cross-over to output clock rising edge cross-over				ns
t <sub>r</sub>	Data rise time	Rise time measured from -100 mV to 100 mV				ns
t <sub>f</sub>	Data fall time	Fall time measured from 100 mV to -100 mV				ns
t <sub>r</sub>	Output clock rise time	Rise time measured from -100 mV to 100 mV				ns
t <sub>f</sub>	Output clock fall time	Fall time measured from 100 mV to -100 mV				ns
t <sub>OE</sub>	Output enable (OE) to data delay	Time to data valid after OE becomes active			700	ns
<b>PARALLEL CMOS MODE</b>						
	CMOS output clock duty cycle	50%				
t <sub>su</sub>	Data setup time	Data valid <sup>(8)</sup> to 50% of CLKOUT rising edge				ns
t <sub>h</sub>	Data hold time	50% of CLKOUT rising edge to data becoming invalid <sup>(8)</sup>				ns
t <sub>PDI</sub>	Clock propagation delay	Input clock rising edge cross-over to 50% of CLKOUT rising edge				ns
t <sub>r</sub>	Data rise time	Rise time measured from 20% to 80% of DRVDD				ns
t <sub>f</sub>	Data fall time	Fall time measured from 80% to 20% of DRVDD				ns
t <sub>r</sub>	Output clock rise time	Rise time measured from 20% to 80% of DRVDD				ns
t <sub>f</sub>	Output clock fall time	Fall time measured from 80% to 20% of DRVDD				ns
t <sub>OE</sub>	Output enable (OE) to data delay	Time to data valid after OE becomes active			200	ns

- (1) Timing parameters are ensured by design and characterization and not tested in production.
- (2) C<sub>L</sub> is the effective external single-ended load capacitance between each output pin and ground.
- (3) I<sub>O</sub> refers to the LVDS buffer current setting; R<sub>L</sub> is the differential load resistance between the LVDS output pair.
- (4) Data stable is defined as the point at which the SNR is within 2dB of its normal value.
- (5) Measurements are done with a transmission line of 100 Ω characteristic impedance between the device and the load.
- (6) Setup and hold time specifications take into account the effect of jitter on the output data and clock.
- (7) Data valid refers to logic high of +100 mV and logic low of -100 mV.
- (8) Data valid refers to logic high of 2.6 V and logic low of 0.66 V.



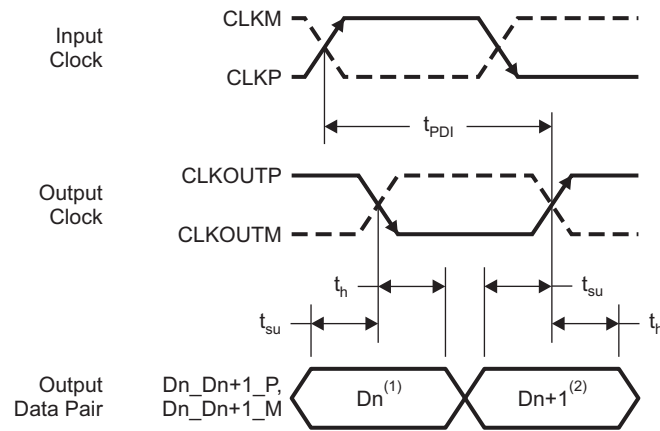
Table 1. Timing Characteristics at lower sampling frequencies

Sampling Frequency, MSPS	$t_{su}$ , Setup time, ns			$t_{ho}$ , Hold time, ns			$t_{PDI}$ , Clock propagation delay, ns		
	65	40	20	65	40	20	65	40	20
<b>DDR LVDS</b>									
65	2.7	3.7		2.7	3.7		11.5	13	14.5
40	5	6		5	6		16.5	18	19.5
20	8	11		8	11		30.5	32	33.5
<b>Parallel CMOS</b>									
65	8	9.5		3	4		7	8.5	10
40	14	15.5		6.5	7.5		8	9.5	11
20	14			6.5			5	10.5	15



T0105-08

Figure 2. Latency

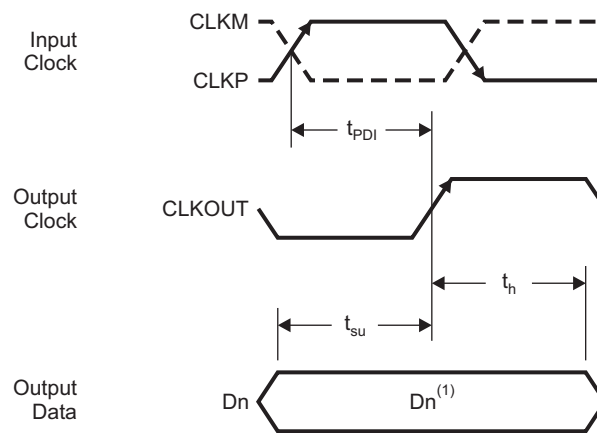


<sup>(1)</sup>Dn – Bits D0, D2, D4, D6, D8, D10, D12, D14

<sup>(2)</sup>Dn+1 – Bits D1, D3, D5, D7, D9, D11, D13, D15

T0106-06

Figure 3. LVDS Mode Timing



<sup>(1)</sup>Dn – Bits D0–D15

T0107-04

Figure 4. CMOS Mode Timing

## DEVICE PROGRAMMING MODES

ADS5562 offers flexibility with several programmable features that are easily configured.

The device can be configured independently using either parallel interface control or serial interface programming.

In addition, the device supports a third configuration mode, where both the parallel interface and the serial control registers are used. In this mode, the priority between the parallel and serial interfaces is determined by a priority table (Table 3). If this additional level of flexibility is not required, the user can select either the serial interface programming or the parallel interface control.

### USING PARALLEL INTERFACE CONTROL ONLY

To control the device using parallel interface, keep RESET tied to **high** (DRVDD). Pins DFS, MODE, SEN, SCLK, and SDATA are used to directly control certain modes of the ADC. The device is configured by connecting the parallel pins to the correct voltage levels (as described in Table 4 to Table 8). There is no need to apply reset.

In this mode, SEN, SCLK, and SDATA function as parallel interface control pins. Frequently used functions are controlled in this mode—standby, selection between LVDS/CMOS output format, internal/external reference, two's complement/offset binary output format, and position of the output clock edge.

Table 2 has a description of the modes controlled by the parallel pins.

**Table 2. Parallel Pin Definition**

PIN	CONTROL MODES
DFS	DATA FORMAT and the LVDS/CMOS output interface
MODE	Internal or external reference
SEN	CLKOUT edge programmability
SCLK	LOW SPEED mode control for low sampling frequencies ( $\leq 30$ MSPS)
SDATA	STANDBY mode – Global (ADC, internal references and output buffers are powered down)

### USING SERIAL INTERFACE PROGRAMMING ONLY

To program using the serial interface, the internal registers must first be reset to their default values, and the RESET pin must be kept **low**. In this mode, SEN, SDATA, and SCLK function as serial interface pins and are used to access the internal registers of ADC. The registers are reset either by applying a pulse on the RESET pin, or by a **high** setting on the <RST> bit (D1 in register 0x6C). The *serial interface section* describes the register programming and register reset in more detail.

Since the parallel pins DFS and MODE are not used in this mode, they must be tied to ground.

### USING BOTH SERIAL INTERFACE AND PARALLEL CONTROLS

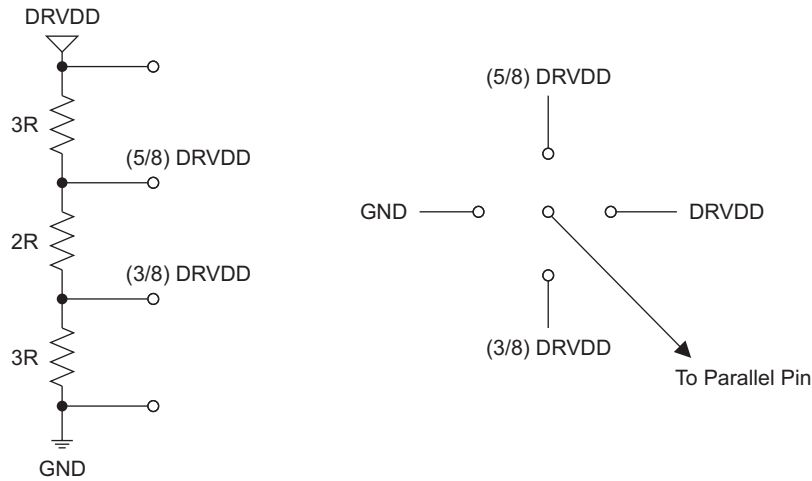
For increased flexibility, a combination of serial interface registers and parallel pin controls (DFS, MODE) can also be used to configure the device.

The serial registers must first be reset to their default values and the RESET pin must be kept **low**. In this mode, SEN, SDATA, and SCLK function as serial interface pins and are used to access the internal registers of ADC. The registers are reset either by applying a pulse on RESET pin or by a **high** setting on the <RST> bit (D1 in register 0x6C). The *serial interface section* describes the register programming and register reset in more detail.

The parallel interface control pins DFS and MODE are used and their function is determined by the appropriate voltage levels as described in Table 7 and Table 8. The voltage levels are derived by using a resistor string as illustrated in Figure 5. Since some functions are controlled using both the parallel pins and serial registers, the priority between the two is determined by a priority table (Table 3).

**Table 3. Priority Between Parallel Pins and Serial Registers**

PIN	FUNCTIONS SUPPORTED	PRIORITY
MODE	Internal/External reference	When using the serial interface, bit <REF> (register 0x6D, bit D4) controls this mode, ONLY if the MODE pin is tied low.
DFS	DATA FORMAT	When using the serial interface, bit <DF> (register 0x63, bit D3) controls this mode, ONLY if the DFS pin is tied low.
	LVDS/CMOS	When using the serial interface, bit <ODI> (register 0x6C, bits D3-D4) controls LVDS/CMOS selection independent of the state of DFS pin



S0321-02

**Figure 5. Simple Scheme to Configure Parallel Pins**

## DESCRIPTION OF PARALLEL PINS

**Table 4. SCLK Control Pin**

SCLK	DESCRIPTION
0	DEFAULT SPEED mode - Use for sampling frequencies > 30 MSPS.
DRVDD	LOW SPEED mode Enabled - Use for sampling frequencies ≤ 30 MSPS.

**Table 5. SDATA Control Pin**

SDATA	DESCRIPTION
0	Normal operation (Default)
DRVDD	STANDBY. This is a global power down, where ADC, internal references and the output buffers are powered down.

**Table 6. SEN Control Pin**

SEN	With CMOS interface
0	CLKOUT Rising edge later by (3/36)Ts CLKOUT Falling edge later by (3/36)Ts
(3/8)DRVDD	CLKOUT Rising edge later by (5/36)Ts CLKOUT Falling edge later by (5/36)Ts
(5/8)DRVDD	CLKOUT Rising edge earlier by (3/36)Ts CLKOUT Falling edge earlier by (3/36)Ts
DRVDD	Default CLKOUT position
	With LVDS interface
0	CLKOUT Rising edge later by (7/36)Ts CLKOUT Falling edge later by (6/36)Ts
(3/8)DRVDD	CLKOUT Rising edge later by (7/36)Ts CLKOUT Falling edge later by (6/36)Ts
(5/8)DRVDD	CLKOUT Rising edge later by (3/36)Ts CLKOUT Falling edge later by (3/36)Ts
DRVDD	Default CLKOUT position

**Table 7. DFS Control Pin**

DFS	DESCRIPTION
0	2's complement data and DDR LVDS output (Default)
(3/8)DRVDD	2's complement data and parallel CMOS output
(5/8)DRVDD	Offset binary data and parallel CMOS output
DRVDD	Offset binary data and DDR LVDS output

**Table 8. MODE Control Pin**

MODE	DESCRIPTION
0	Internal reference
(3/8)AVDD	External reference
(5/8)AVDD	External reference
AVDD	Internal reference

## SERIAL INTERFACE

The ADC has a set of internal registers, which can be accessed through the serial interface formed by pins SEN (Serial interface Enable), SCLK (Serial Interface Clock), SDATA (Serial Interface Data) and RESET. After device power-up, the internal registers must be reset to their default values by applying a high-going pulse on RESET (of width greater than 10 ns).

Serial shift of bits into the device is enabled when SEN is low. Serial data SDATA is latched at every falling edge of SCLK when SEN is active (low). The serial data is loaded into the register at every 16th SCLK falling edge when SEN is low. If the word length exceeds a multiple of 16 bits, the excess bits are ignored. Data is loaded in multiples of 16-bit words within a single active SEN pulse.

The first 8 bits form the register address and the remaining 8 bits form the register data. The interface can work with SCLK frequency from 20 MHz down to very low speeds (few Hertz) and also with non-50% SCLK duty cycle.

## REGISTER INITIALIZATION

After power-up, the internal registers *must* be reset to their default values. This is done in one of two ways:

1. Either through hardware reset by applying a high-going pulse on RESET pin (of width greater than 10 ns) as shown in Figure 6.

OR

2. By applying software reset. Using the serial interface, set the <RST> bit (D1 in register 0x6C) to **high**. This initializes the internal registers to their default values and then self-resets the <RST> bit to **low**. In this case the RESET pin is kept **low**.

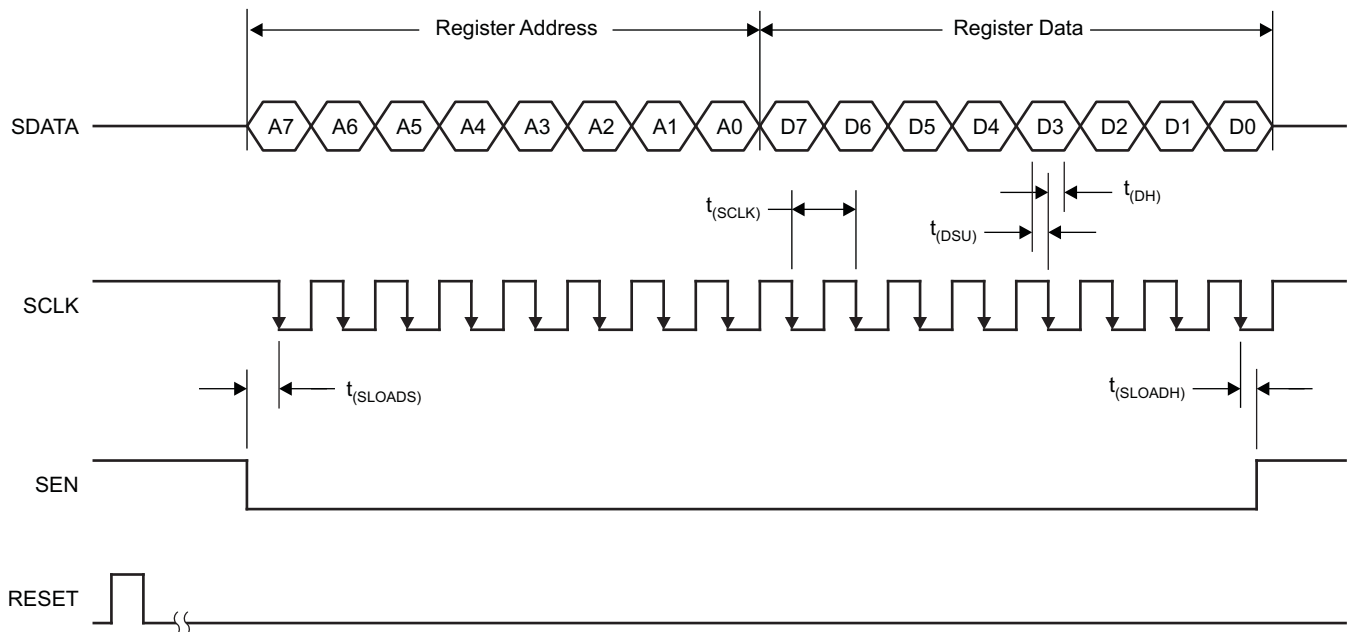


Figure 6. Serial Interface Timing Diagram

## SERIAL INTERFACE TIMING CHARACTERISTICS

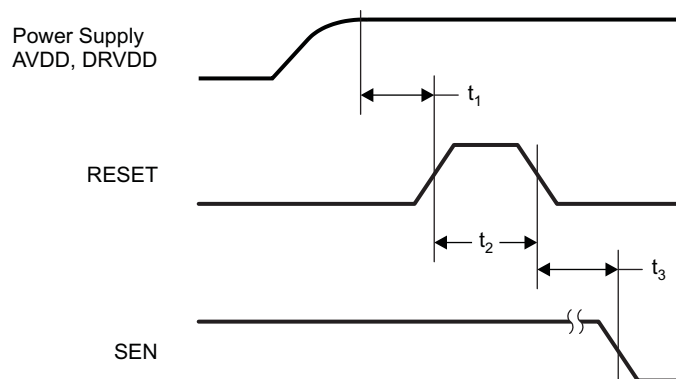
Typical values at 25°C, min and max values across the full temperature range  $T_{MIN} = -40^{\circ}C$  to  $T_{MAX} = 85^{\circ}C$ , AVDD = DRVDD = 3.3 V (unless otherwise noted)

		MIN	TYP	MAX	UNIT
$f_{SCLK}$	SCLK frequency	> DC		20	MHz
$t_{SLOADS}$	SEN to SCLK setup time	25			ns
$t_{SLOADH}$	SCLK to SEN hold time	25			ns
$t_{DSU}$	SDATA setup time	25			ns
$t_{DH}$	SDATA hold time	25			ns

## RESET TIMING

Typical values at 25°C, min and max values across the full temperature range  $T_{MIN} = -40^{\circ}C$  to  $T_{MAX} = 85^{\circ}C$ ,  $AVDD = DRVDD = 3.3\text{ V}$  (unless otherwise noted)

PARAMETER	TEST CONDITIONS	MIN	TYP	MAX	UNIT
$t_1$	Power-on delay Delay from power-up of AVDD and DRVDD to RESET pulse active	5			ms
$t_2$	Reset pulse width Pulse width of active RESET signal	10			ns
				1	$\mu$ s
$t_3$	Register write delay Delay from RESET disable to SEN active	25			ns
$t_{PO}$	Power-up time Delay from power-up of AVDD and DRVDD to output stable		6.5		ms



NOTE: A high-going pulse on RESET pin is required in serial interface mode in case of initialization through hardware reset. For parallel interface operation, RESET has to be tied permanently HIGH.

**Figure 7. Reset Timing Diagram**

## SERIAL REGISTER MAP

Table 9 gives a summary of all the modes that can be programmed through the serial interface.

**Table 9. Summary of Functions Supported by Serial Interface<sup>(1)(2)</sup>**

REGISTER ADDRESS IN HEX	REGISTER FUNCTIONS								
A7 - A0	D7	D6	D5	D4	D3	D2	D1	D0	
5D								<LF NOISE SUPPRESSION>	
62				<CLKOUT POSN> OUTPUT CLOCK POSITION PROGRAMMABILITY					
63	<STBY> GLOBAL POWER DOWN				<DF> DATA FORMAT - 2's COMP or OFFSET BINARY			<LOW SPEED> ENABLE LOW SAMPLING FREQUENCY OPERATION	
65	<TEST PATTERN> – ALL 0s, ALL 1s, TOGGLE, RAMP, CUSTOM PATTERN								
68					<GAIN> FINE GAIN 0dB to 6dB, in 1dB steps				
69	<CUSTOM A> CUSTOM PATTERN (D7 TO D0)								
6A	<CUSTOM B> CUSTOM PATTERN (D15 TO D8)								
6C				<ODI> OUTPUT DATA INTERFACE DDR LVDS or PARALLEL CMOS					
6D				<REF> INTERNAL or EXTERNAL REFERENCE					
6E								<RST> SOFTWARE RESET	
7E	<DATA TERM> INTERNAL TERMINATION – DATA OUTPUTS			<CLKOUT TERM> INTERNAL TERMINATION – OUTPUT CLOCK			<LVDS CURR> LVDS CURRENT PROGRAMMABILITY		
7F	<CURR DOUBLE> LVDS CURRENT DOUBLE								

- (1) The unused bits in each register (shown by blank cells in above table) must be programmed as '0'.  
(2) Multiple functions in a register can be programmed in a single write operation.



## DESCRIPTION OF SERIAL REGISTERS

Each register function is explained in detail below.

**Table 10.**

A7 - A0 (hex)	D7	D6	D5	D4	D3	D2	D1	D0
5D								<LF NOISE SUPPRESSION>

### **D0** <LF NOISE SUPPRESSION> [Low frequency noise suppression](#)

0	Disable low frequency noise suppression
1	Enable low frequency noise suppression

**Table 11.**

A7 - A0 (hex)	D7	D6	D5	D4	D3	D2	D1	D0
62				<CLKOUT POSN> OUTPUT CLOCK POSITION PROGRAMMABILITY				

### **D4 - D0** <CLKOUT POSN> [Output Clock Position Programmability](#)

00000	Register value after reset (corresponds to default CLKOUT position) Setup/hold timings with this clock position are specified in the timing characteristics table.
00001	Default CLKOUT position. Setup/hold timings with this clock position are specified in the timing characteristics table.
XX011	<b>CMOS</b> - Rising edge earlier by (3/36) Ts <b>LVDS</b> - Falling edge later by (3/36) Ts
XX101	<b>CMOS</b> - Rising edge later by (3/36) Ts <b>LVDS</b> - Falling edge later by (6/36) Ts
XX111	<b>CMOS</b> - Rising edge later by (5/36) Ts <b>LVDS</b> - Falling edge later by (6/36) Ts
01XX1	<b>CMOS</b> - Falling edge earlier by (3/36) Ts <b>LVDS</b> - Rising edge later by (3/36) Ts
10XX1	<b>CMOS</b> - Falling edge later by (3/36) Ts <b>LVDS</b> - Rising edge later by (7/36) Ts
11XX1	<b>CMOS</b> - Falling edge later by (5/36) Ts <b>LVDS</b> - Rising edge later by (7/36) Ts

**Table 12.**

A7 - A0 (hex)	D7	D6	D5	D4	D3	D2	D1	D0
63	<STBY> GLOBAL POWER DOWN				<DF> DATA FORMAT 2's COMP or OFFSET BINARY			<LOW SPEED> ENABLE LOW SAMPLING FREQUENCY OPERATION

**D3** <DF> Output Data Format

- 0 2's complement
- 1 Offset binary

**D0** <LOW SPEED> Low Sampling Frequency Operation

- 0 DEFAULT SPEED mode (for  $F_s > 30$  MSPS)
- 1 LOW SPEED mode eabled (for  $F_s \leq 30$  MSPS)

**D7** <STBY> Global STANDBY

- 0 Normal operation
- 1 Global power down (includes ADC, internal references and output buffers)

**Table 13.**

A7 - A0 (hex)	D7	D6	D5	D4	D3	D2	D1	D0
65	<TEST PATTERNS> — ALL 0S, ALL 1s, TOGGLE, RAMP, CUSTOM PATTERN							

**D7 - D5** <TEST PATTERN> Outputs selected test pattern on data lines

- 000 Normal operation
- 001 All 0s
- 010 All 1s
- 011 Toggle pattern - alternate 1s and 0s on each data output and across data outputs
- 100 Ramp pattern - Output data ramps from 0x0000 to 0xFFFF by one code every clock cycle
- 101 Custom pattern - Outputs the custom pattern in CUSTOM PATTERN registers A and B
- 111 Unused

**Table 14.**

A7 - A0 (hex)	D7	D6	D5	D4	D3	D2	D1	D0
68					<b>&lt;GAIN&gt;</b> FINE GAIN 0 dB to 6 dB, in 1 dB steps			

**D3 - D0**      **<GAIN> Programmable Fine Gain**

0XXX	1 dB
1000	0 dB
1001	1 dB, default register value after reset
1010	2 dB
1011	3 dB
1100	4 dB
1101	5 dB
1110	6 dB

**Table 15.**

A7 - A0 (hex)	D7	D6	D5	D4	D3	D2	D1	D0
69	<b>&lt;CUSTOM A&gt;</b> CUSTOM PATTERN (D7 TO D0)							
6A	<b>&lt;CUSTOM B&gt;</b> CUSTOM PATTERN (D15 TO D8)							

Reg 69      D7 - D0      Program bits D7 to D0 of custom pattern

Reg 6A      D15 - D8      Program bits D15 to D8 of custom pattern

**Table 16.**

A7 - A0 (hex)	D7	D6	D5	D4	D3	D2	D1	D0
6C				<b>&lt;ODI&gt;</b> OUTPUT DATA INTERFACE - DDR LVDS OR PARALLEL CMOS				

**D4 - D3**      **<ODI> Output Interface**

00	default after reset, state of DFS pin determines interface type. See <a href="#">Table 7</a> .
01	DDR LVDS outputs, independent of state of DFS pin.
11	Parallel CMOS outputs, independent of state of DFS pin.

**Table 17.**

A7 - A0	D7	D6	D5	D4	D3	D2	D1	D0
6D				<b>&lt;REF&gt;</b> INTERNAL or EXTERNAL REFERENCE				

**D4**      **<REF> Reference**

0	Internal reference
1	External reference mode, force voltage on VCM to set reference.

Table 18.

A7 - A0	D7	D6	D5	D4	D3	D2	D1	D0
6E								<RST> SOFTWARE RESET

**D0** <RST> Software resets the ADC

1 Resets all registers to default values

Table 19.

A7 - A0	D7	D6	D5	D4	D3	D2	D1	D0
7E	<DATA TERM> INTERNAL TERMINATION – DATA OUTPUTS			<CLKOUT TERM> INTERNAL TERMINATION – OUTPUT CLOCK			<LVDS CURR> LVDS CURRENT PROGRAMMABILITY	

**D1 - D0** <LVDS CURR> [LVDS Buffer Current Programmability](#)

00 3.5 mA, default  
01 2.5 mA  
10 4.5 mA  
11 1.75 mA

**D4 - D2** <CLKOUT TERM> [LVDS Buffer Internal Termination](#)

000 No internal termination  
001 325  
010 200  
011 125  
100 170  
101 120  
110 100  
111 75

**D7 - D5** <DATA TERM> [LVDS Buffer Internal Termination](#)

000 No internal termination  
001 325  
010 200  
011 125  
100 170  
101 120  
110 100  
111 75

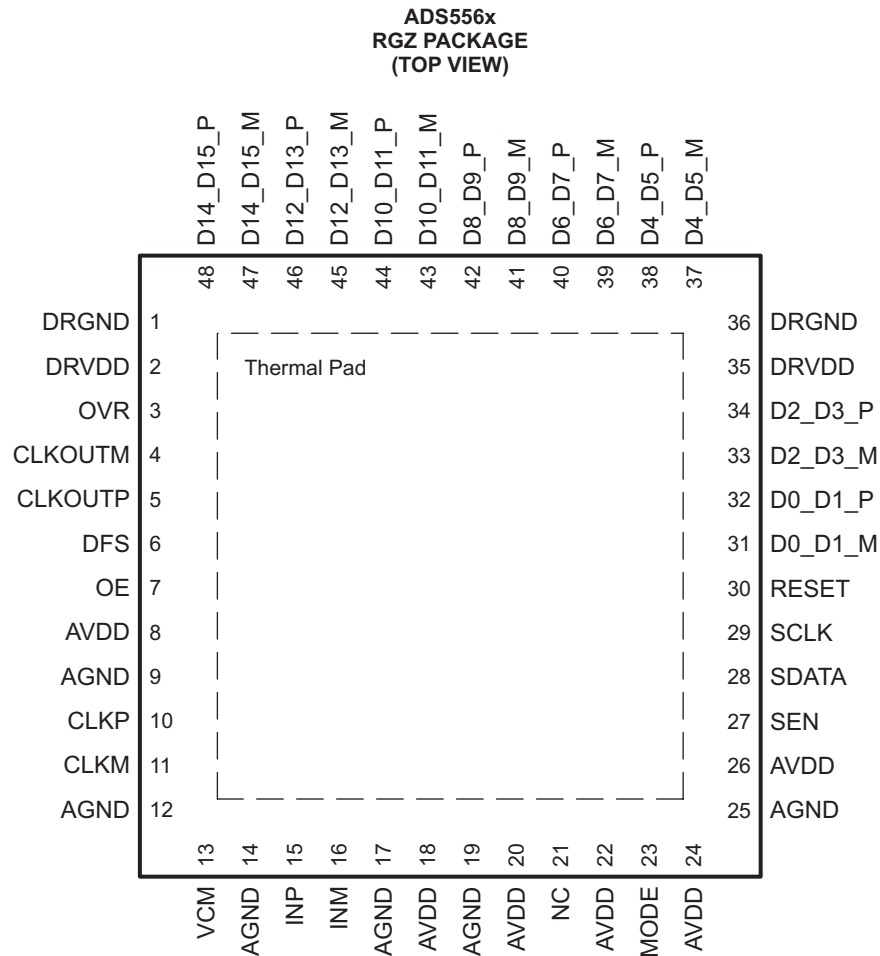
**Table 20.**

A7 - A0	D7	D6	D5	D4	D3	D2	D1	D0
7F	<CURR DOUBLE> LVDS CURRENT DOUBLE							

**D7 - D6**      **<CURR DOUBLE> LVDS Buffer Internal Termination**

00	Value specified by <LVDS CURR>
01	2x data, 2x clockout currents
10	1x data, 2x clockout currents
11	2x data, 4x clockout currents

**PIN CONFIGURATION (LVDS MODE)**



P0023-09

**Figure 8. LVDS Mode Pinout**

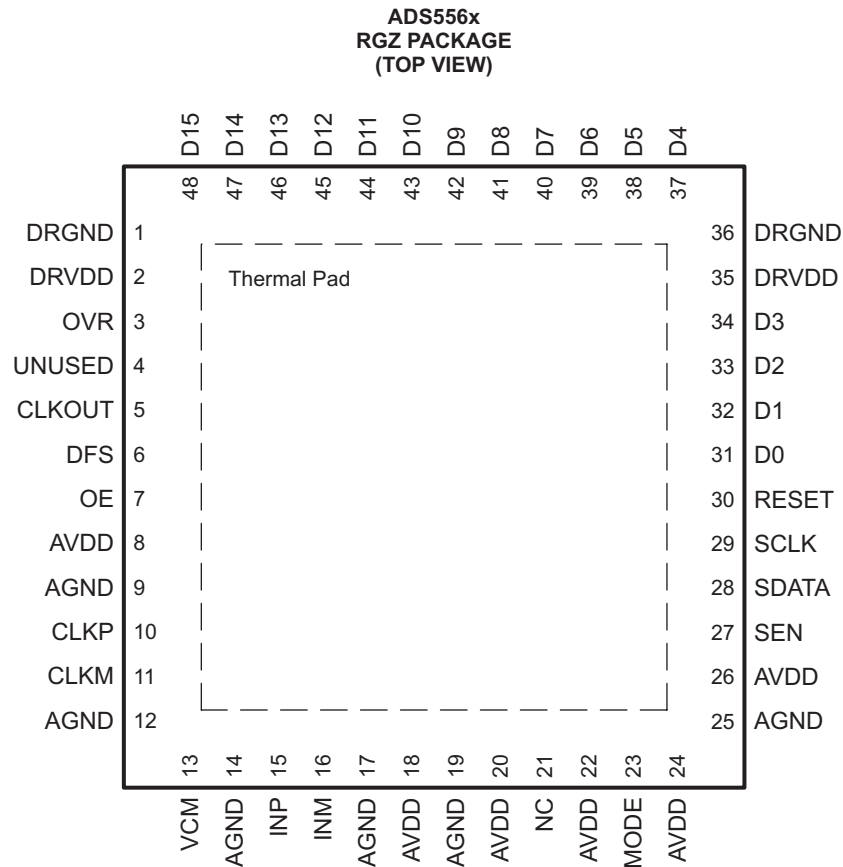
**Table 21. PIN ASSIGNMENTS – LVDS Mode**

PIN NAME	DESCRIPTION	PIN TYPE	PIN NUMBER	NUMBER OF PINS
AVDD	Analog power supply	I	8, 18, 20, 22, 24, 26	6
AGND	Analog ground	I	9, 12, 14, 17, 19, 25	6
CLKP, CLKM	Differential clock input	I	10, 11	2
INP, INM	Differential analog input	I	15, 16	2
VCM	Internal reference mode – Common-mode voltage output. External reference mode – Reference input. The voltage forced on this pin sets the internal reference.	I/O	13	1
RESET	Serial interface reset input. When using the serial interface, the user should apply a high-going pulse on this pin to reset the internal registers. When the serial interface is not used, the user should tie RESET permanently high. (SCLK, SDATA and SEN can be used as parallel pin controls). The pin has an internal 100-kΩ pull-down resistor to DRGND.	I	30	1

**Table 21. PIN ASSIGNMENTS – LVDS Mode (continued)**

PIN NAME	DESCRIPTION	PIN TYPE	PIN NUMBER	NUMBER OF PINS
SCLK	This pin functions as serial interface clock input when RESET is low. It functions as LOW SPEED MODE control when RESET is tied high. See <a href="#">Table 4</a> for detailed information. The pin has an internal 100-kΩ pull-down resistor to DRGND.	I	29	1
SDATA	This pin functions as serial interface data input when RESET is low. It functions as STANDBY control pin when RESET is tied high. See <a href="#">Table 5</a> for detailed information. The pin has an internal 100-kΩ pull-down resistor to DRGND.	I	28	1
SEN	This pin functions as serial interface enable input when RESET is low. It functions as CLKOUT edge programmability when RESET is tied high. See <a href="#">Table 6</a> for detailed information. The pin has an internal 100-kΩ pull-up resistor to DRVDD.	I	27	1
OE	Output buffer enable input, active high. The pin has an internal 100-kΩ pull-up resistor to DRVDD.	I	7	1
DFS	Data Format Select input. This pin sets the DATA FORMAT (Twos complement or Offset binary) and the LVDS/CMOS output mode type. See <a href="#">Table 7</a> for detailed information. The pin has an internal 100-kΩ pull-down resistor to DRGND.	I	6	1
MODE	Mode select input. This pin selects the Internal or External reference mode. See <a href="#">Table 8</a> for detailed information. The pin has an internal 100-kΩ pull-down resistor to AGND.	I	23	1
CLKOUTP	Differential output clock, true	O	5	1
CLKOUTM	Differential output clock, complement	O	4	1
D0_D1_P	Differential output data D0 and D1 multiplexed, true	O	32	1
D0_D1_M	Differential output data D0 and D1 multiplexed, complement.	O	31	1
D2_D3_P	Differential output data D2 and D3 multiplexed, true	O	34	1
D2_D3_M	Differential output data D2 and D3 multiplexed, complement	O	33	1
D4_D5_P	Differential output data D4 and D5 multiplexed, true	O	38	1
D4_D5_M	Differential output data D4 and D5 multiplexed, complement	O	37	1
D6_D7_P	Differential output data D6 and D7 multiplexed, true	O	40	1
D6_D7_M	Differential output data D6 and D7 multiplexed, complement	O	39	1
D8_D9_P	Differential output data D8 and D9 multiplexed, true	O	42	1
D8_D9_M	Differential output data D8 and D9 multiplexed, complement	O	41	1
D10_D11_P	Differential output data D10 and D11 multiplexed, true	O	44	1
D10_D11_M	Differential output data D10 and D11 multiplexed, complement	O	43	1
D12_D13_P	Differential output data D12 and D13 multiplexed, true	O	46	1
D12_D13_M	Differential output data D12 and D13 multiplexed, complement	O	45	1
D14_D15_P	Differential output data D14 and D15 multiplexed, true	O	48	1
D14_D15_M	Differential output data D14 and D15 multiplexed, complement	O	47	1
OVR	Out-of-range indicator, CMOS level signal	O	3	1
DRVDD	Digital and output buffer supply	I	2, 35	2
DRGND	Digital and output buffer ground	I	1, 36	2
PAD	Connect the PAD to the ground plane. See in application section.			1
NC	Do not connect	-	21	1

**PIN CONFIGURATION (CMOS MODE)**



P0023-10

**Figure 9. CMOS Mode Pinout**

**Table 22. PIN ASSIGNMENTS – CMOS Mode**

PIN NAME	DESCRIPTION	PIN TYPE	PIN NUMBER	NUMBER OF PINS
AVDD	Analog power supply	I	8, 18, 20, 22, 24, 26	6
AGND	Analog ground	I	9, 12, 14, 17, 19, 25	6
CLKP, CLKM	Differential clock input	I	10, 11	2
INP, INM	Differential analog input	I	15, 16	2
VCM	Internal reference mode – Common-mode voltage output. External reference mode – Reference input. The voltage forced on this pin sets the internal references.	I/O	13	1
RESET	Serial interface reset input. When using the serial interface, the user should apply a high-going pulse on this pin to reset the internal registers. When the serial interface is not used, the user should tie RESET permanently high. (SCLK, SDATA and SEN can be used as parallel pin controls). The pin has an internal 100-kΩ pull-down resistor to DRGND.	I	30	1
SCLK	This pin functions as serial interface clock input when RESET is low. It functions as LOW SPEED MODE control when RESET is tied high. See <a href="#">Table 4</a> for detailed information. The pin has an internal 100-kΩ pull-down resistor to DRGND.	I	29	1



**Table 22. PIN ASSIGNMENTS – CMOS Mode (continued)**

PIN NAME	DESCRIPTION	PIN TYPE	PIN NUMBER	NUMBER OF PINS
SDATA	This pin functions as serial interface data input when RESET is low. It functions as STANDBY control pin when RESET is tied high. See <a href="#">Table 5</a> for detailed information. The pin has an internal 100-kΩ pull-down resistor to DRGND.	I	28	1
SEN	This pin functions as serial interface enable input when RESET is low. It functions as CLKOUT edge programmability when RESET is tied high. See <a href="#">Table 6</a> for detailed information. The pin has an internal 100-kΩ pull-up resistor to DRVDD.	I	27	1
OE	Output buffer enable input, active high. The pin has an internal 100-kΩ pull-up resistor to DRVDD.	I	7	1
DFS	Data Format Select input. This pin sets the DATA FORMAT (Twos complement or Offset binary) and the LVDS/CMOS output mode type. See <a href="#">Table 7</a> for detailed information. The pin has an internal 100-kΩ pull-down resistor to DRGND.	I	6	1
MODE	Mode select input. This pin selects the Internal or External reference mode. See <a href="#">Table 8</a> for detailed information. The pin has an internal 100-kΩ pull-down resistor to AGND.	I	23	1
CLKOUT	CMOS output clock	O	5	1
D0	CMOS output data D0	O	31	1
D1	CMOS output data D1	O	32	1
D2	CMOS output data D2	O	33	1
D3	CMOS output data D3	O	34	1
D4	CMOS output data D4	O	37	1
D5	CMOS output data D5	O	38	1
D6	CMOS output data D6	O	39	1
D7	CMOS output data D7	O	40	1
D8	CMOS output data D8	O	41	1
D9	CMOS output data D9	O	42	1
D10	CMOS output data D10	O	43	1
D11	CMOS output data D11	O	44	1
D12	CMOS output data D12	O	45	1
D13	CMOS output data D13	O	46	1
D14	CMOS output data D14	O	47	1
D15	CMOS output data D15	O	48	1
OVR	Out-of-range indicator, CMOS level signal	O	3	1
DRVDD	Digital and output buffer supply	I	2, 35	2
DRGND	Digital and output buffer ground	I	1, 36	2
UNUSED	Unused pin in CMOS mode	-	4	1
PAD	Connect the PAD to the ground plane. See in application section.			1
NC	Do not connect	-	21	1

**TYPICAL CHARACTERISTICS**

Typical values are at 25°C, AVDD = DRVDD = 3.3 V, sampling frequency = Max Rated, sine wave input clock, 1.5 V<sub>pp</sub> clock amplitude, 50% clock duty cycle, -1 dBFS differential analog input, internal reference mode, DDR LVDS interface, *default fine gain (1dB)*, (unless otherwise noted)

**ADS5562 - 80MSPS**

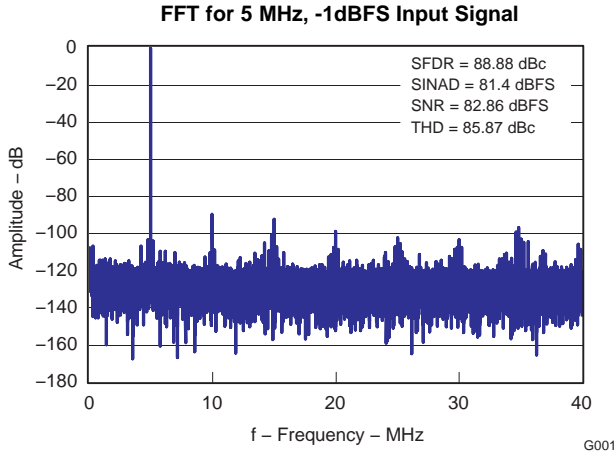


Figure 10.

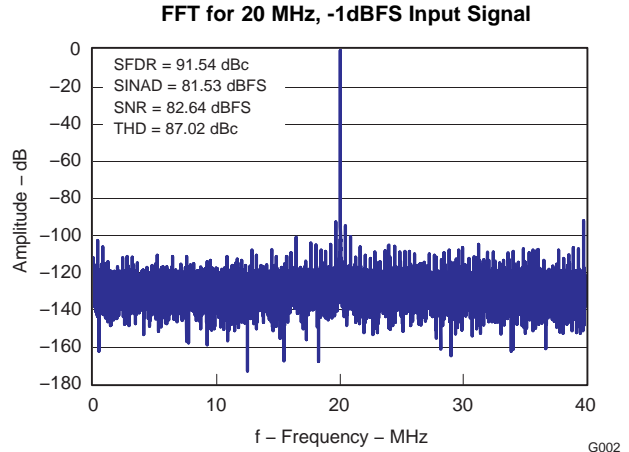


Figure 11.

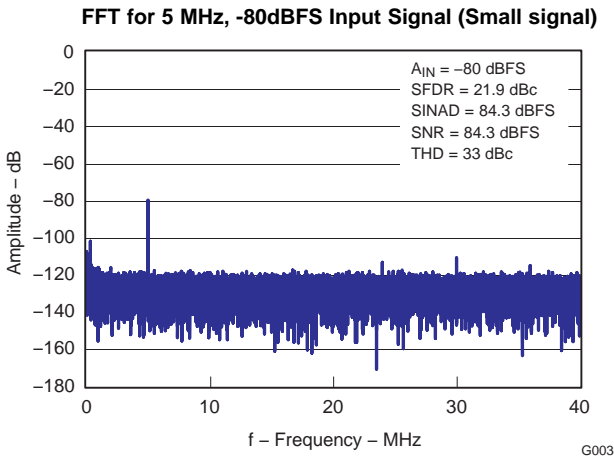


Figure 12.

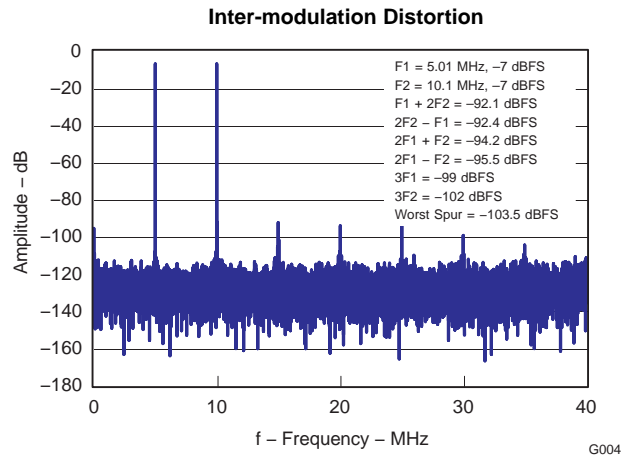


Figure 13.

### TYPICAL CHARACTERISTICS (continued)

Typical values are at 25°C, AVDD = DRVDD = 3.3 V, sampling frequency = Max Rated, sine wave input clock, 1.5 V<sub>PP</sub> clock amplitude, 50% clock duty cycle, -1 dBFS differential analog input, internal reference mode, DDR LVDS interface, *default fine gain (1dB)*, (unless otherwise noted)

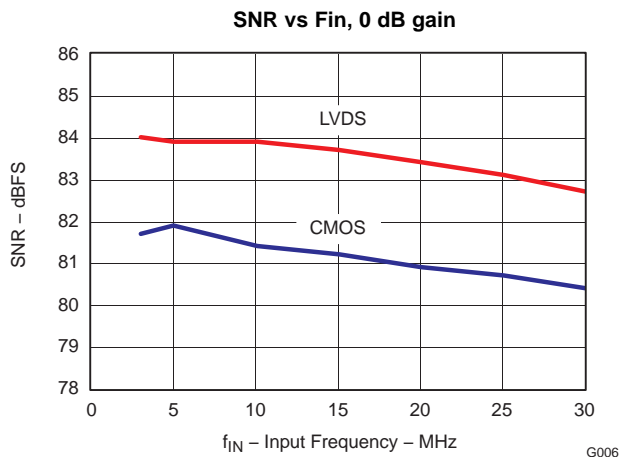


Figure 14.

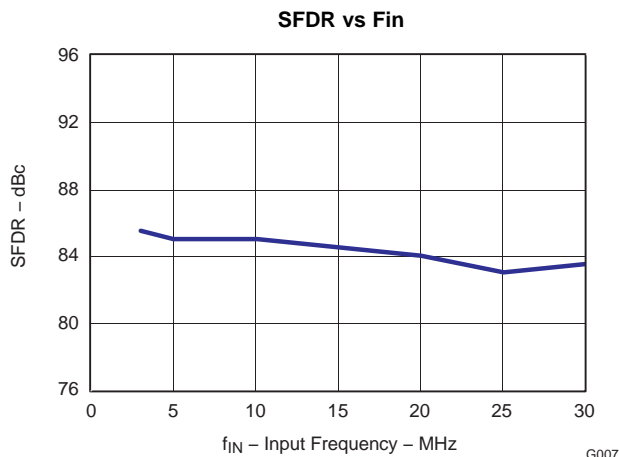


Figure 15.

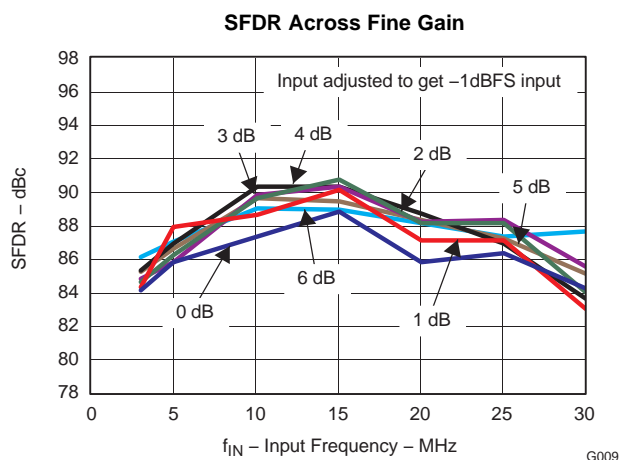


Figure 16.

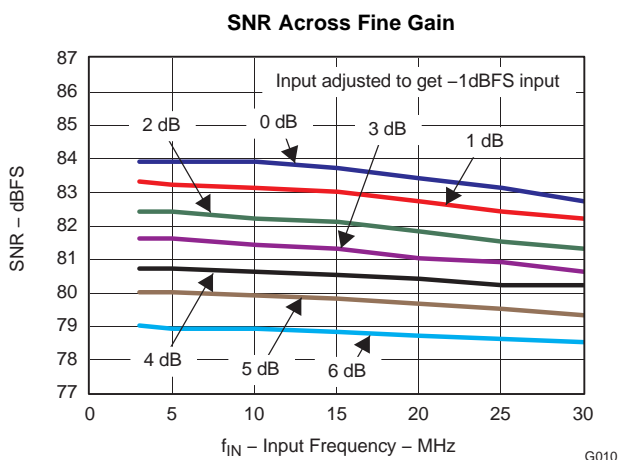


Figure 17.

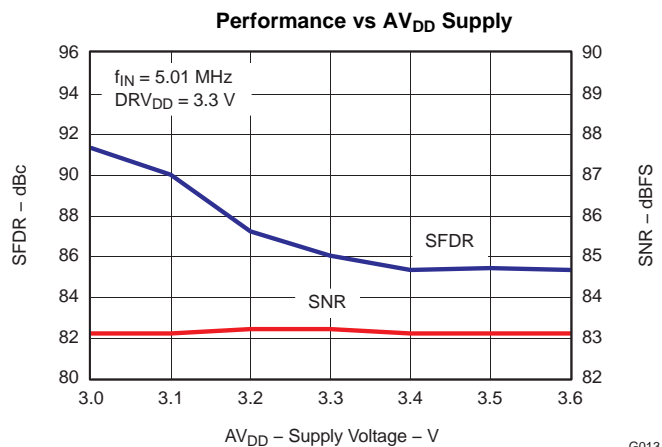


Figure 18.

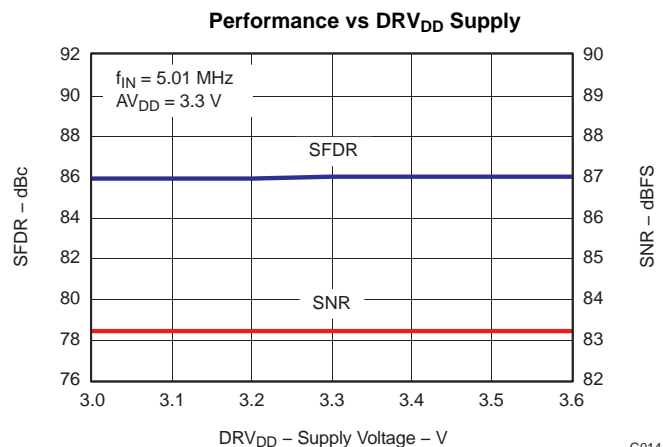


Figure 19.

TYPICAL CHARACTERISTICS (continued)

Typical values are at 25°C, AVDD = DRVDD = 3.3 V, sampling frequency = Max Rated, sine wave input clock, 1.5 V<sub>PP</sub> clock amplitude, 50% clock duty cycle, -1 dBFS differential analog input, internal reference mode, DDR LVDS interface, *default fine gain (1dB)*, (unless otherwise noted)

Performance vs Temperature

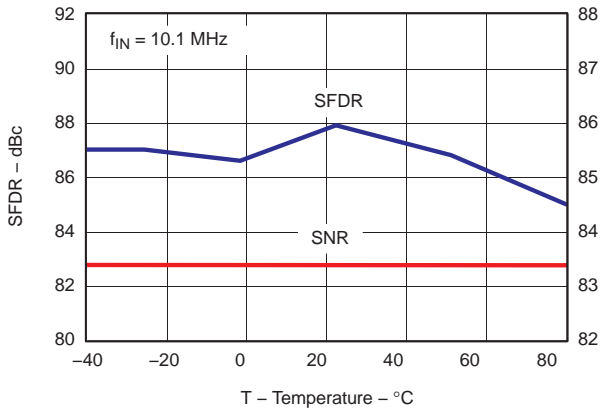


Figure 20.

Performance vs Input Amplitude, 0 dB gain

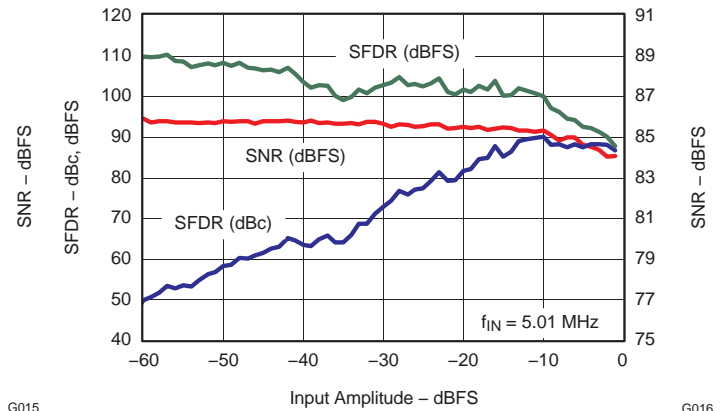


Figure 21.

Performance vs Clock Amplitude

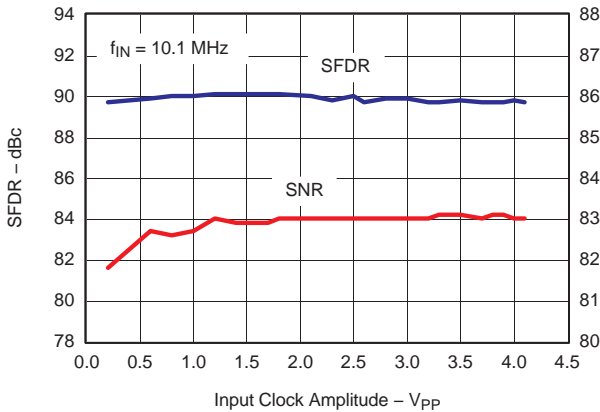


Figure 22.

Performance vs Clock Duty Cycle

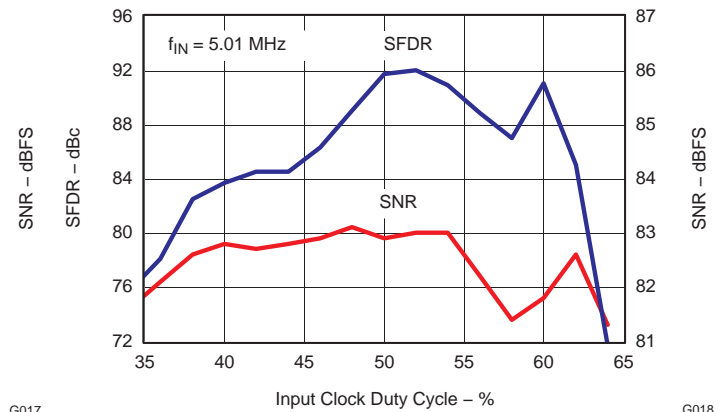


Figure 23.

Output Noise Histogram

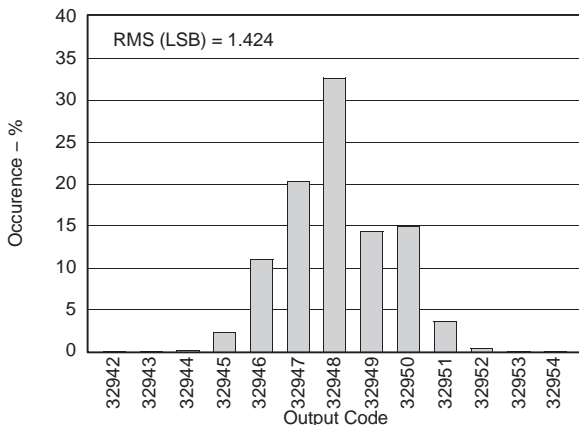


Figure 24.

Performance in External Reference Mode

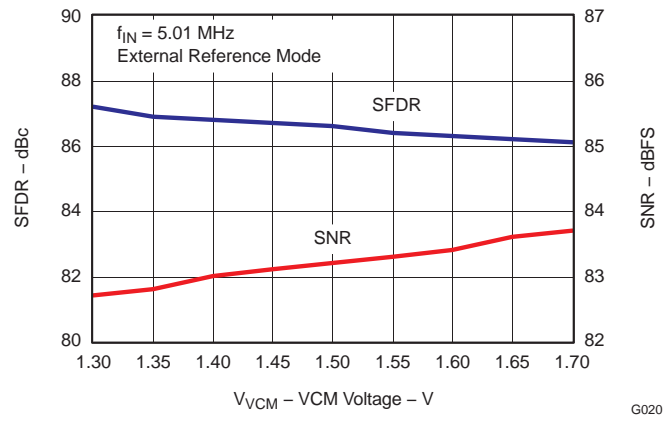


Figure 25.

### TYPICAL CHARACTERISTICS (continued)

Typical values are at 25°C, AVDD = DRVDD = 3.3 V, sampling frequency = Max Rated, sine wave input clock, 1.5 V<sub>PP</sub> clock amplitude, 50% clock duty cycle, -1 dBFS differential analog input, internal reference mode, DDR LVDS interface, *default fine gain (1dB)*, (unless otherwise noted)

#### ADS5560 - 40MSPS

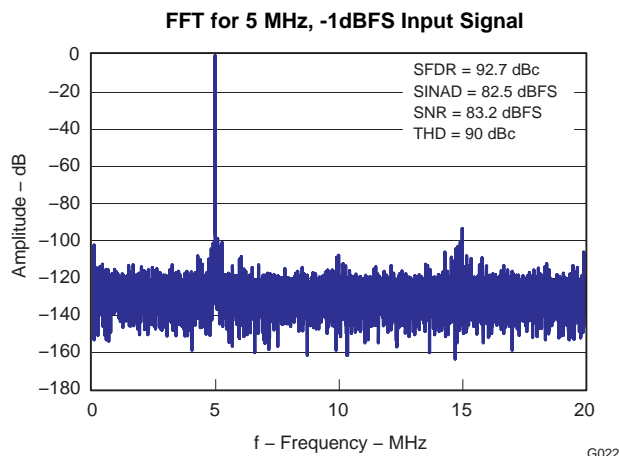


Figure 26.

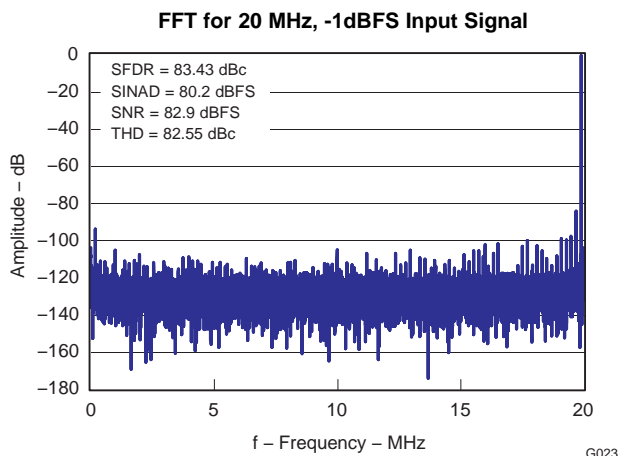


Figure 27.

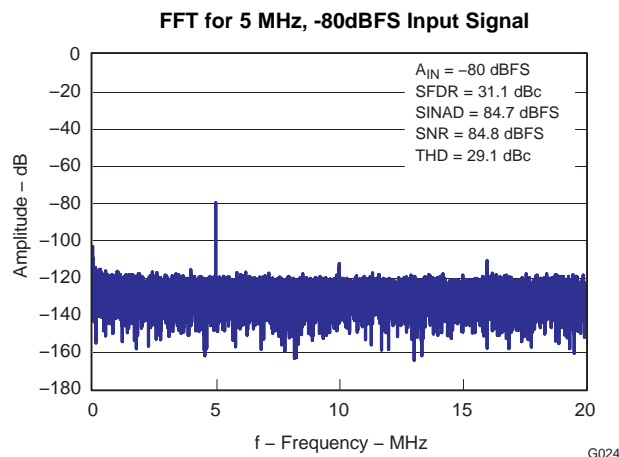


Figure 28.

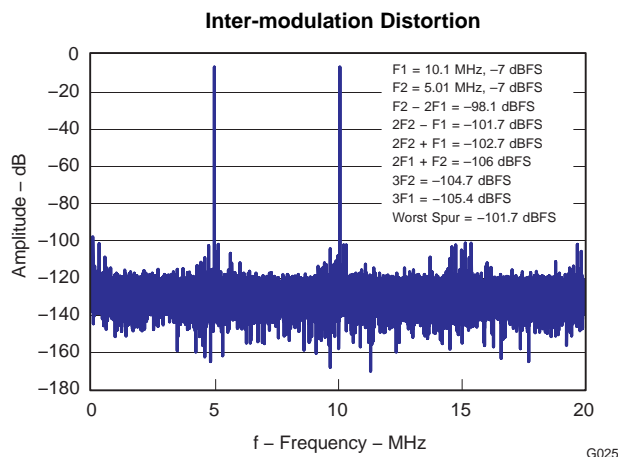


Figure 29.

**TYPICAL CHARACTERISTICS (continued)**

Typical values are at 25°C, AVDD = DRVDD = 3.3 V, sampling frequency = Max Rated, sine wave input clock, 1.5 V<sub>PP</sub> clock amplitude, 50% clock duty cycle, -1 dBFS differential analog input, internal reference mode, DDR LVDS interface, *default fine gain (1dB)*, (unless otherwise noted)

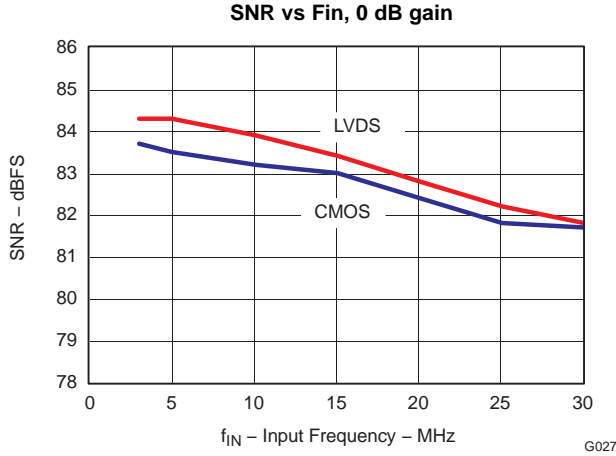


Figure 30.

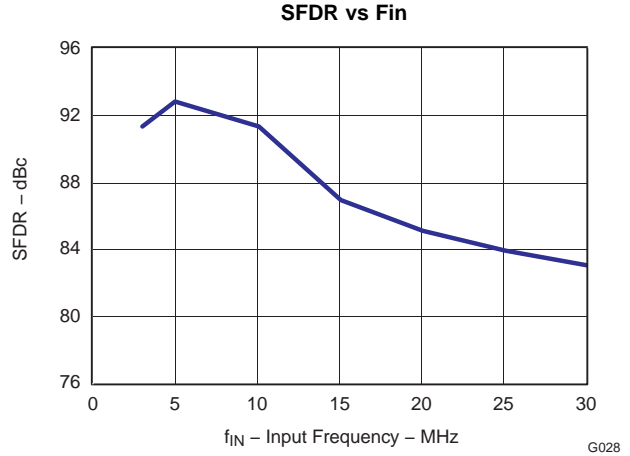


Figure 31.

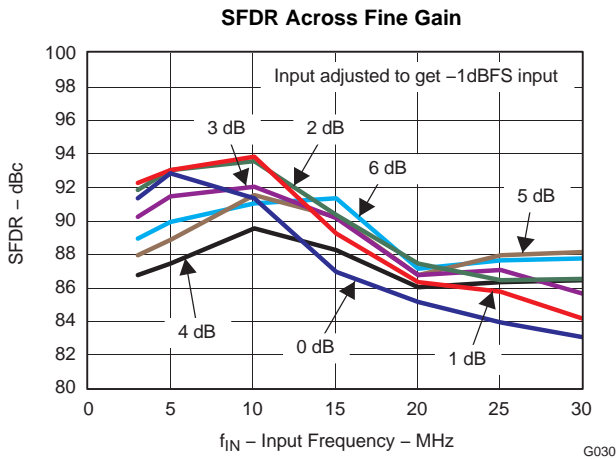


Figure 32.

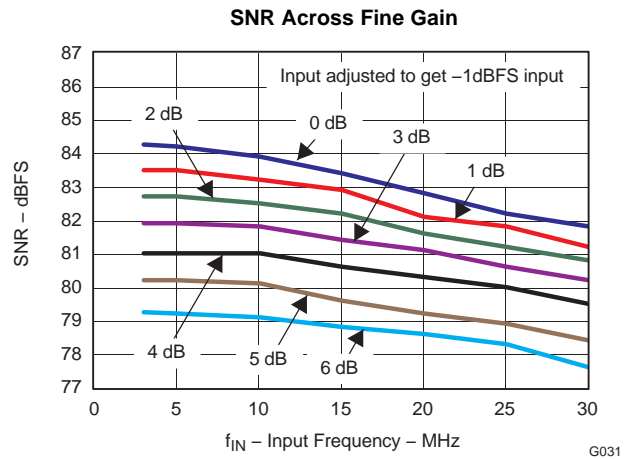


Figure 33.

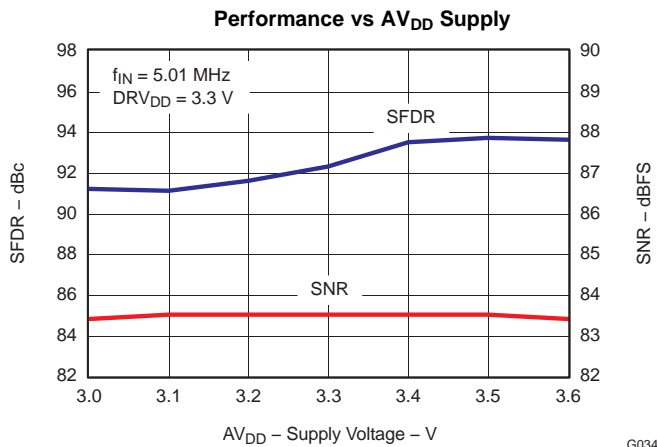


Figure 34.

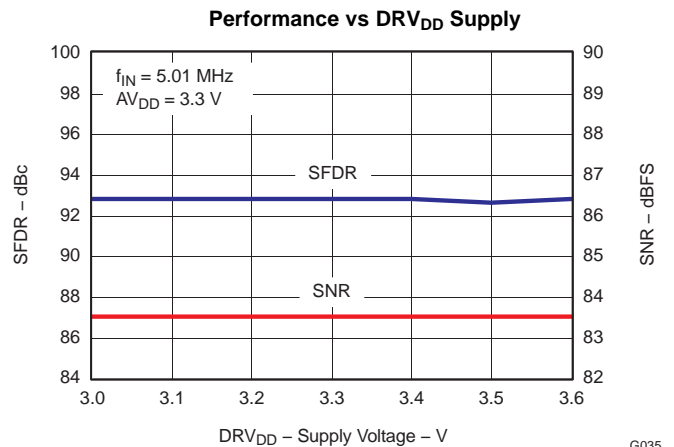


Figure 35.

TYPICAL CHARACTERISTICS (continued)

Typical values are at 25°C, AVDD = DRVDD = 3.3 V, sampling frequency = Max Rated, sine wave input clock, 1.5 V<sub>PP</sub> clock amplitude, 50% clock duty cycle, -1 dBFS differential analog input, internal reference mode, DDR LVDS interface, *default fine gain (1dB)*, (unless otherwise noted)

Performance vs Temperature

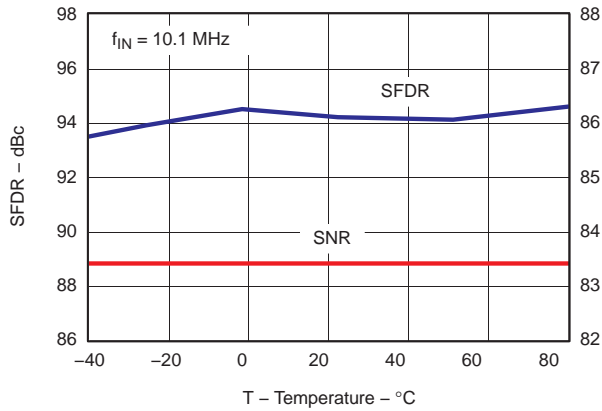


Figure 36.

Performance vs Input Amplitude, 0 dB gain

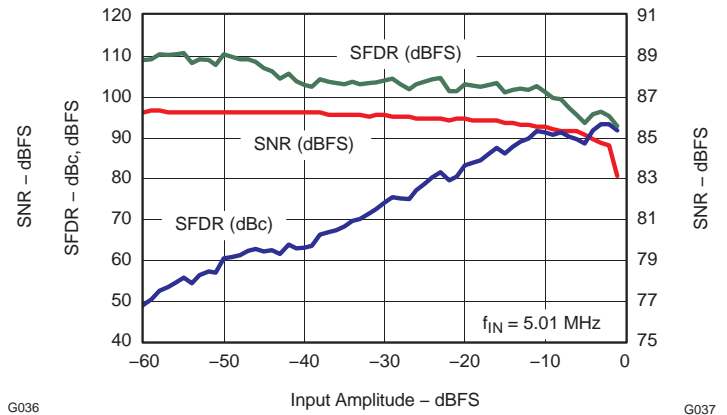


Figure 37.

Performance vs Clock Amplitude

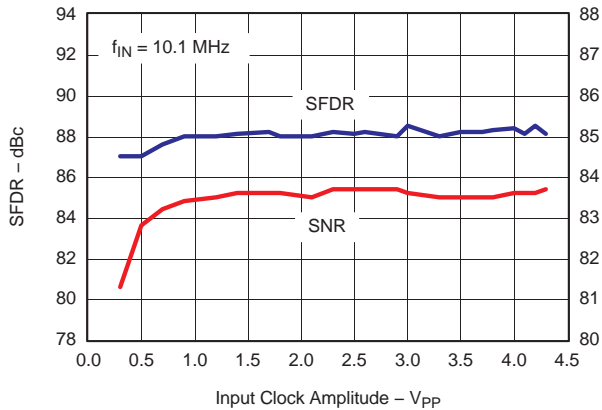


Figure 38.

Performance vs Clock Duty Cycle

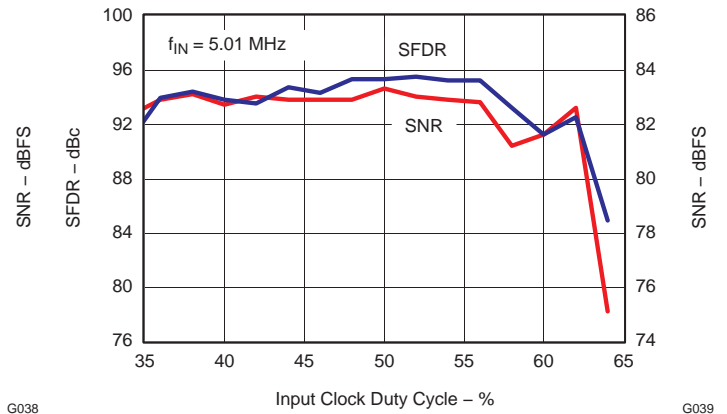


Figure 39.

Output Noise Histogram

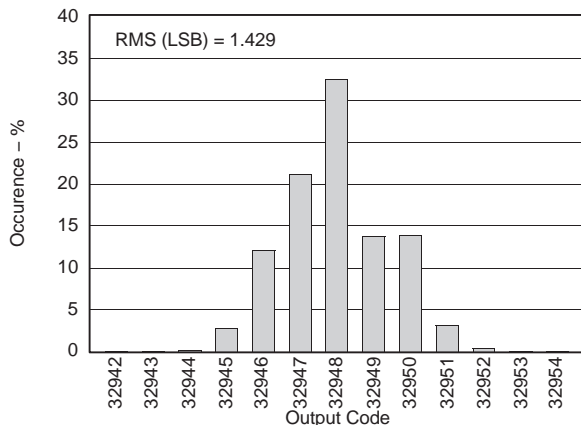


Figure 40.

Performance in External Reference Mode

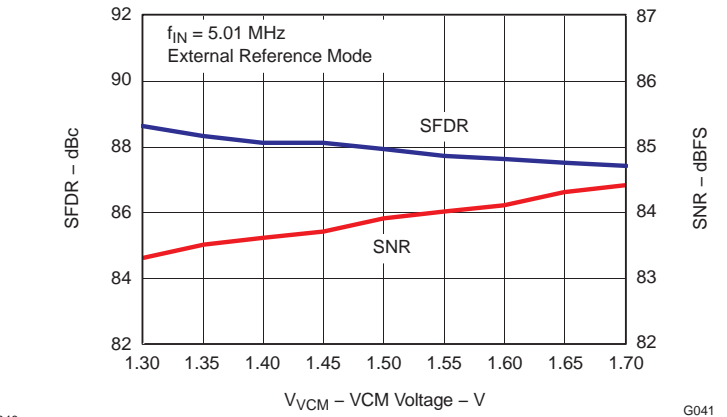


Figure 41.

### TYPICAL CHARACTERISTICS (continued)

Typical values are at 25°C, AVDD = DRVDD = 3.3 V, sampling frequency = Max Rated, sine wave input clock, 1.5 V<sub>PP</sub> clock amplitude, 50% clock duty cycle, -1 dBFS differential analog input, internal reference mode, DDR LVDS interface, *default fine gain (1dB)*, (unless otherwise noted)

#### Valid Up to Max Clock Rate (ADS5562 or ADS5560)

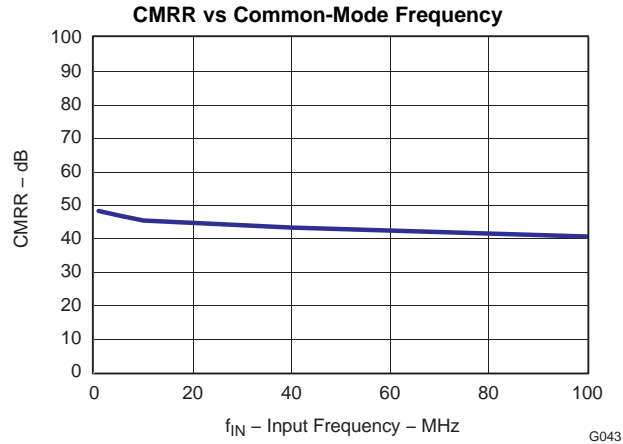


Figure 42.

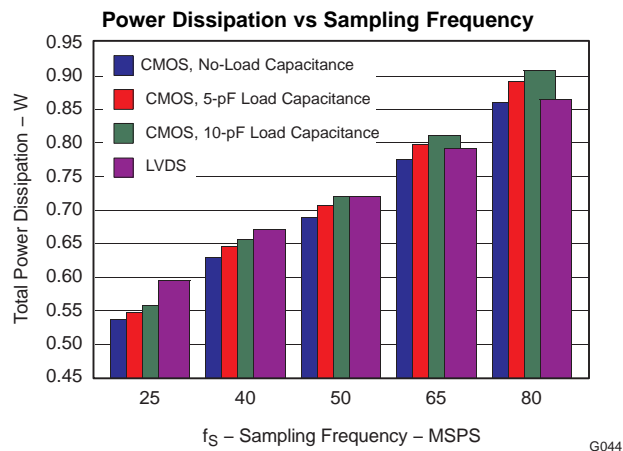
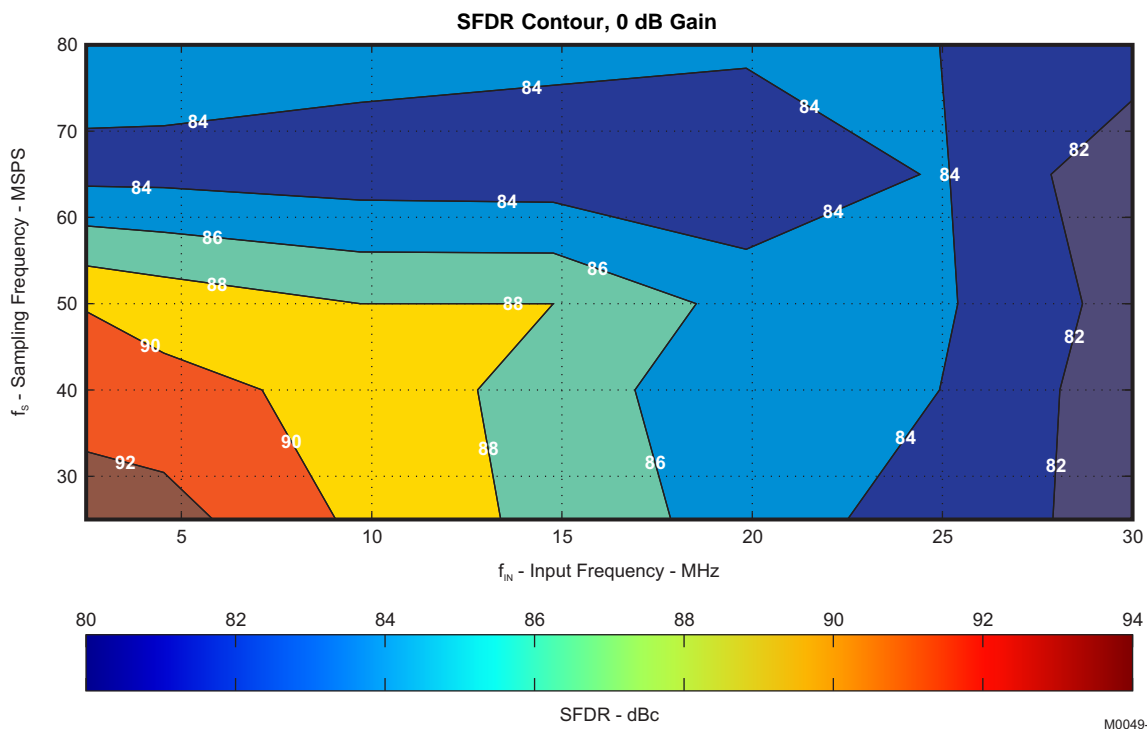


Figure 43.

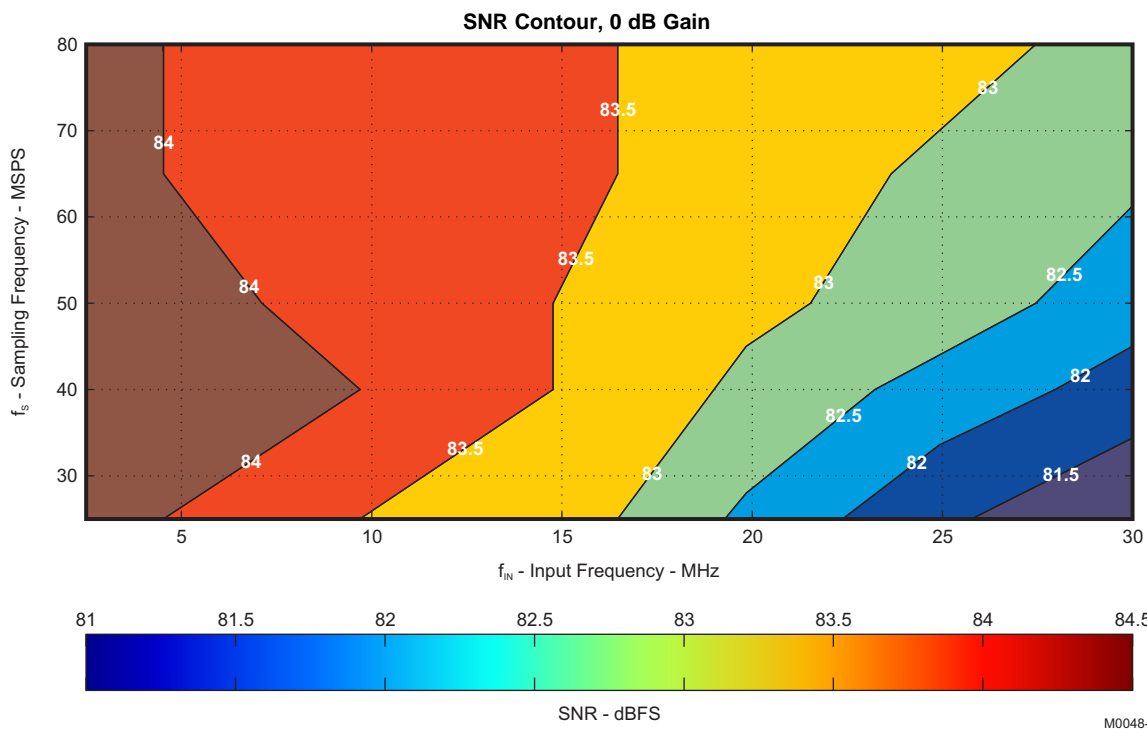


**TYPICAL CHARACTERISTICS (continued)**

Typical values are at 25°C, AVDD = DVDD = 3.3 V, sampling frequency = Max Rated, sine wave input clock, 1.5 V<sub>PP</sub> clock amplitude, 50% clock duty cycle, -1 dBFS differential analog input, internal reference mode, DDR LVDS interface, *default fine gain (1dB)*, (unless otherwise noted)



**Figure 44.**



**Figure 45.**

## APPLICATION INFORMATION

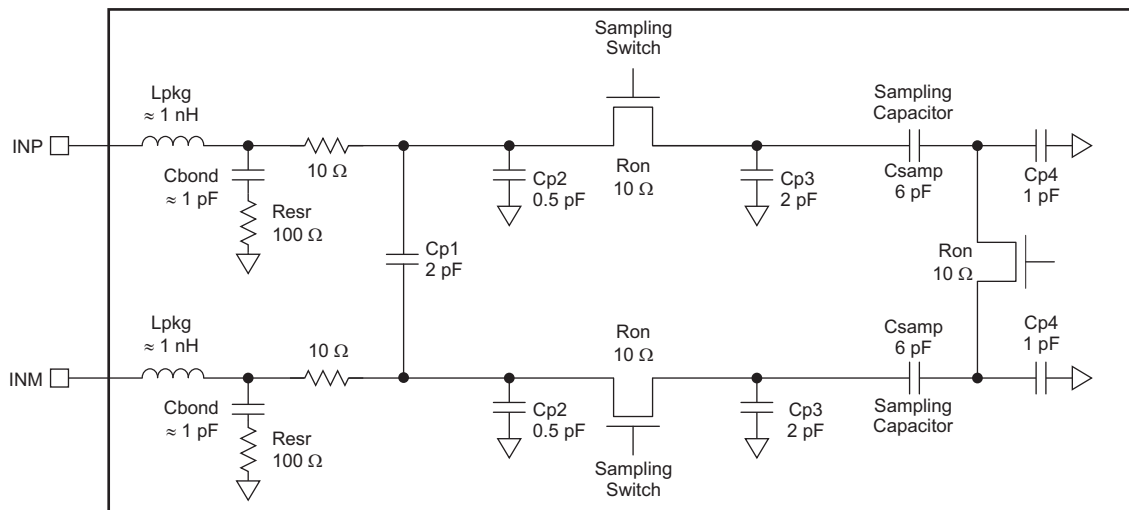
### THEORY OF OPERATION

ADS556X is a high performance 16-bit A/D converter family with sampling rates up to 80 MSPS. It is based on switched capacitor technology and runs off a single 3.3-V supply. Once the signal is captured by the input sample and hold, the input sample is sequentially converted by a series of small resolution stages. At every clock edge, the sample propagates through the pipeline resulting in a data latency of 16 clock cycles. The output is available as 16-bit data, in DDR LVDS or parallel CMOS and coded in either offset binary or binary 2's complement format.

### Analog Input Circuit

The analog input consists of a switched-capacitor based differential sample and hold architecture, shown in Figure 46.

This differential topology results in good ac-performance even for high input frequencies at high sampling rates. The INP and INM pins have to be externally biased around a common-mode voltage of 1.5 V (VCM). For a full-scale differential input, each input pin INP, INM has to swing symmetrically between  $V_{CM} + 0.9\text{ V}$  and  $V_{CM} - 0.9\text{ V}$ , resulting in a  $3.6\text{-}V_{PP}$  differential input swing.



S0322-02

Figure 46. Input Stage

### Drive Circuit Recommendations

For optimum performance, the analog inputs have to be driven differentially. This improves the common-mode noise immunity and even order harmonic rejection. A resistor in series with each input pin (about 15 Ω) is recommended to damp out ringing caused by package parasitics. It is also necessary to present low impedance ( $< 50\ \Omega$ ) for the common mode switching currents. This can be achieved by using two resistors from each input terminated to the common mode voltage (VCM).

Note that the device includes an internal R-C filter from each input to ground. The purpose of this filter is to absorb the glitches caused by the opening and closing of the sampling capacitors. The filtering of the glitches can be improved further using an external R-C-R filter.

In addition to the above, the drive circuit may have to be designed to provide a low insertion loss over the desired frequency range and matched impedance to the source. While doing this, the ADC input impedance must be considered. Figure 47 and Figure 48 show the impedance ( $Z_{in} = R_{in} \parallel C_{in}$ ) looking into the ADC input pins.

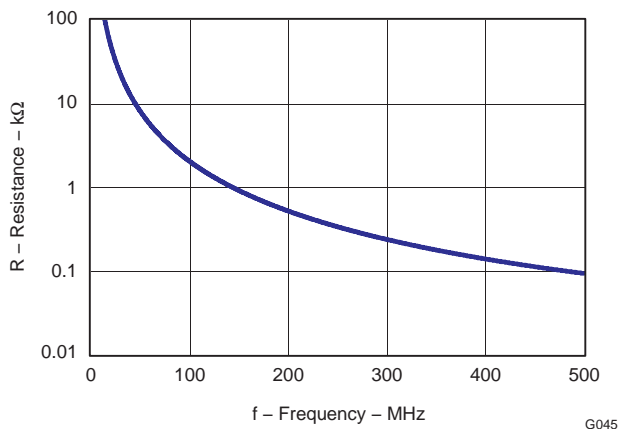


Figure 47. ADC Analog Input Resistance (R<sub>in</sub>) Across Frequency

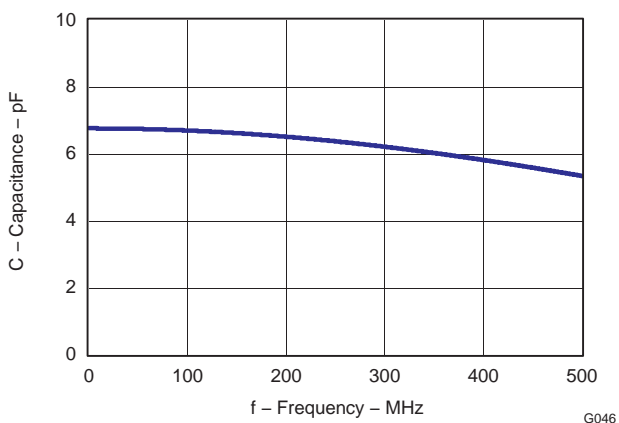


Figure 48. ADC Analog Input Capacitance (C<sub>in</sub>) Across Frequency

### Example Driving Circuit

An example input configuration using RF transformers is shown in Figure 49. Here, an external R-C-R filter using 22pF has been used. Together with the series inductor (39nH), this combination forms a filter and absorbs the sampling glitches. Due to the relatively large capacitor (22pF) in the R-C-R and the 15 ohms resistors in series with each input pin, this drive circuit has low bandwidth and is suited for low input frequencies.

Note that the drive circuit has been terminated by 50 ohms near the ADC side. The termination is accomplished by a 25 ohms resistor from each input to the 1.5V common-mode (V<sub>CM</sub>) from the device. This allows the analog inputs to be biased around the required common-mode voltage.

The mismatch in the transformer parasitic capacitance (between the windings) results in degraded even-order harmonic performance. Connecting two identical RF transformers back to back helps minimize this mismatch and good performance is obtained for high frequency input signals. An additional termination resistor pair may be required between the two transformers (enclosed by the dashed lines in Figure 49). The centre point of this termination is connected to ground to improve the balance between the P and M sides. The values of the terminations between the transformers and on the secondary side have to be chosen to get an effective 50 ohms (in the case of 50 ohms source impedance).



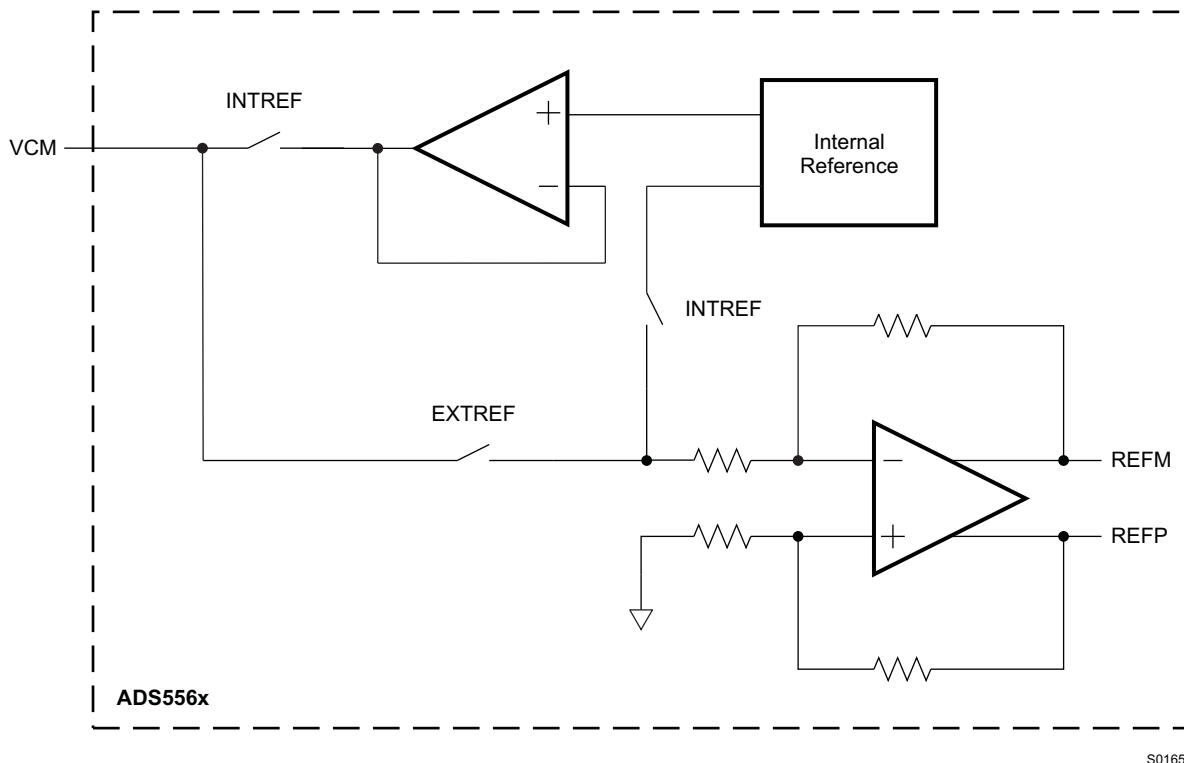


Figure 50. Reference Section

### Programmable Fine Gain

ADS556x has programmable fine gain from 0 dB to 6dB in steps of 1 dB. The corresponding full-scale input range varies from 3.6V<sub>PP</sub> down to 2V<sub>PP</sub>. The fine gain is useful, when lower full-scale input ranges are used to get SFDR improvement (See Figure 15 and Figure 31). This is accompanied by corresponding degradation in SNR (see Figure 16 and Figure 32). The gain can be programmed using the register bits **GAIN** (Table 14).

After reset, the device is initialized to 1 dB fine gain.

Table 23. Full-scale Input Range Across Gains

Gain, dB	Corresponding full-scale input range, Vpp
0	3.56 <sup>(1)</sup>
1, default after reset	3.56
2	3.20
3	2.85
4	2.55
5	2.27
6	2.00

(1) Note that with 0 dB gain, the full-scale input range continues to be 3.56Vpp. This means that the output code range will be 58409 LSBs (or 1dB below 65536).

### Low Frequency Noise Suppression

The low-frequency noise suppression mode is specifically useful in applications where good noise performance is desired in the low frequency band of dc to 1 MHz. Setting this mode shifts the low-frequency noise of the ADS556x to approximately (Fs/2), thereby moving the noise floor around dc to a much lower value. Register bit <LF NOISE SUPPRESSION> enables this mode. As Figure 52 shows, when the mode is enabled, the noise floor from dc-1 MHz improves significantly. The low frequency noise components get shifted to the region around Fs/2 (Figure 53).

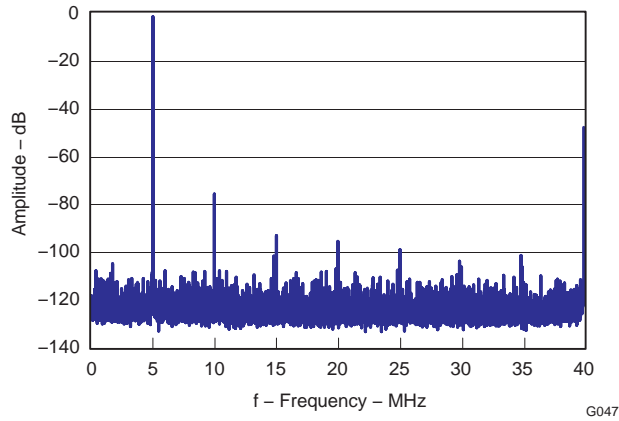


Figure 51. Spectrum with LF Noise Suppression Enabled ( $F_s=80$  MSPS)

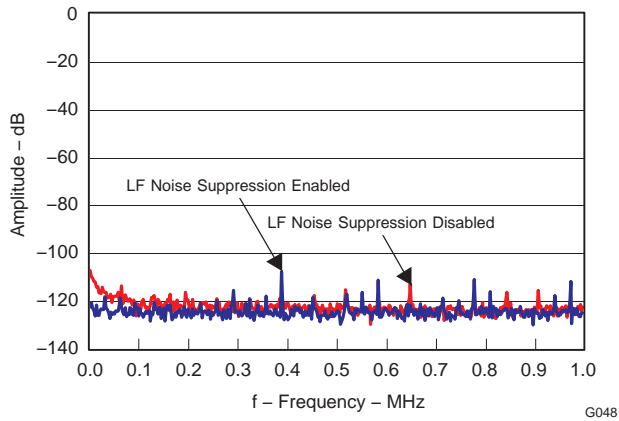


Figure 52. Zoomed Spectrum (dc to 1 MHz) with LF Noise Suppression Enabled ( $F_s=80$  MSPS)

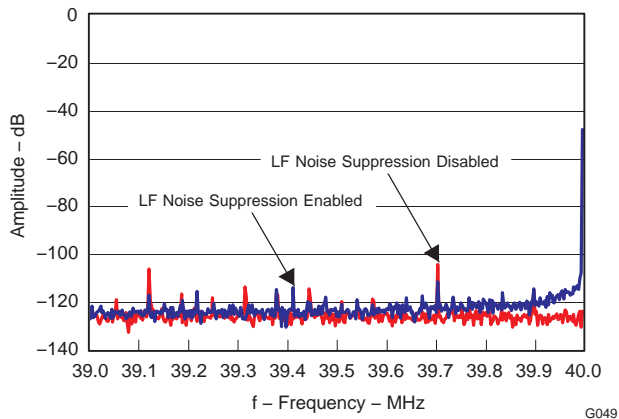


Figure 53. Zoomed Spectrum (39 to 40 MHz) with LF Noise Suppression Enabled ( $F_s=80$  MSPS)

### Low Sampling Frequency Operation

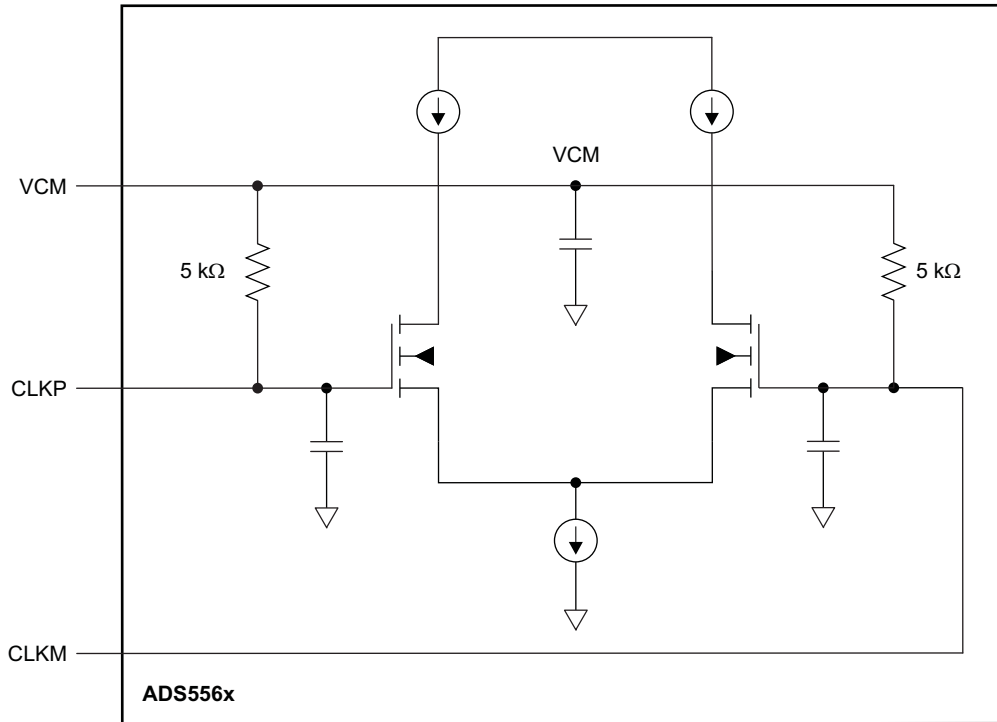
For best performance at high sampling frequencies, ADS556X uses a clock generator circuit to derive internal timing for the ADC. The clock generator operates from 80 MSPS down to 30 MSPS in the DEFAULT SPEED mode. The ADC enters this mode after applying reset (with serial interface configuration) or by tying SCLK pin to low (with parallel configuration).

For low sampling frequencies (below 30 MSPS), the ADC must be put in the LOW SPEED mode. This mode can be entered by

- setting the register bit <LOW SPEED> (Table 12) through the serial interface, OR
- tying the SCLK pin to high (see Table 4) using the parallel configuration.

### Clock Input

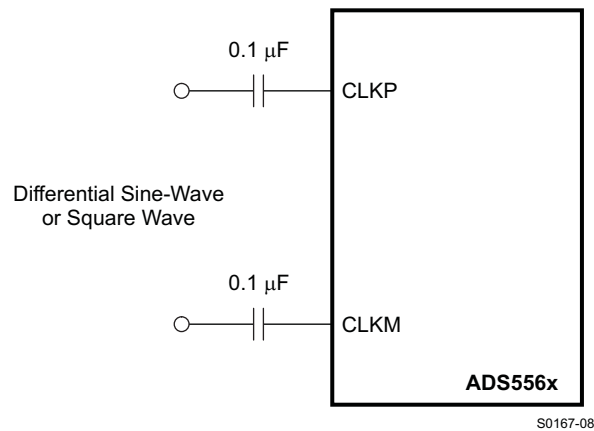
ADS556X clock input can be driven with either a differential clock signal or a single-ended clock input, with little or no difference in performance between both configurations. The common-mode voltage of the clock inputs is set to VCM using internal 5-k $\Omega$  resistors that connect CLKP and CLKM to VCM, as shown in Figure 54.



S0166-05

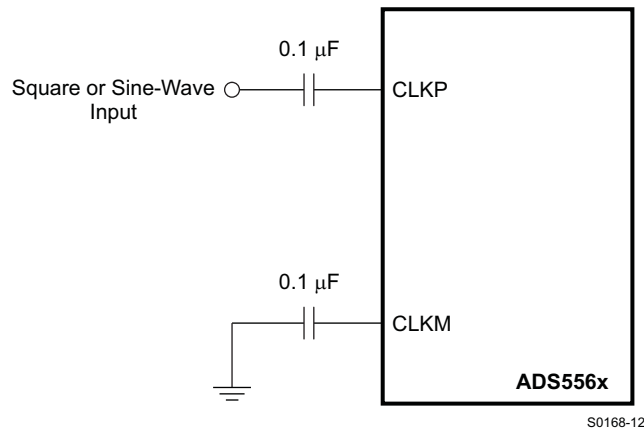
Figure 54. Clock Inputs

For the best performance, it is recommended to drive the clock inputs differentially, reducing susceptibility to common-mode noise. In this case, it is best to connect both clock inputs to the differential input clock signal with 0.1- $\mu$ F capacitors, as shown in Figure 55.



**Figure 55. Differential Clock Drive**

When driven with a single-ended CMOS clock input, connect CLKM to ground with a 0.1- $\mu$ F capacitor and CLKP with a 0.1- $\mu$ F capacitor to the clock source, as shown in [Figure 56](#).



**Figure 56. Single-Ended Clock Drive**

For high input frequency sampling, it is recommended to use a clock source with very low jitter. Bandpass filtering of the clock source can help reduce the effect of jitter. There is little change in performance with a non-50% duty cycle clock input.

### Power Down

ADS556X has three power-down modes – global STANDBY, output buffer disabled, and input clock stopped.

#### Global STANDBY

This mode can be initiated by controlling SDATA or by setting the register bit **<STBY>** through the serial interface. In this mode, the A/D converter, reference block and the output buffers are powered down resulting in reduced total power dissipation of about 155 mW. The wake-up time from global power down to valid data is typically 60  $\mu$ s.

#### Output Buffer Disable

The output buffers can be disabled using OE pin in both the LVDS and CMOS modes. With the buffers disabled, the digital outputs are three-stated. The wake-up time from this mode to data becoming valid in normal mode is typically 700 ns in LVDS mode and 200 ns in CMOS mode.



### ***Input Clock Stop***

The converter enters this mode when the input clock frequency falls below 1 MSPS. The power dissipation is about 125 mW and the wake-up time from this mode to data becoming valid in normal mode is typically 80  $\mu$ s.

### **Power Supply Sequence**

During power-up, the AVDD and DRVDD supplies can come up in any sequence. The two supplies are separated inside the device. Externally, they can be driven from separate supplies or from a single supply.

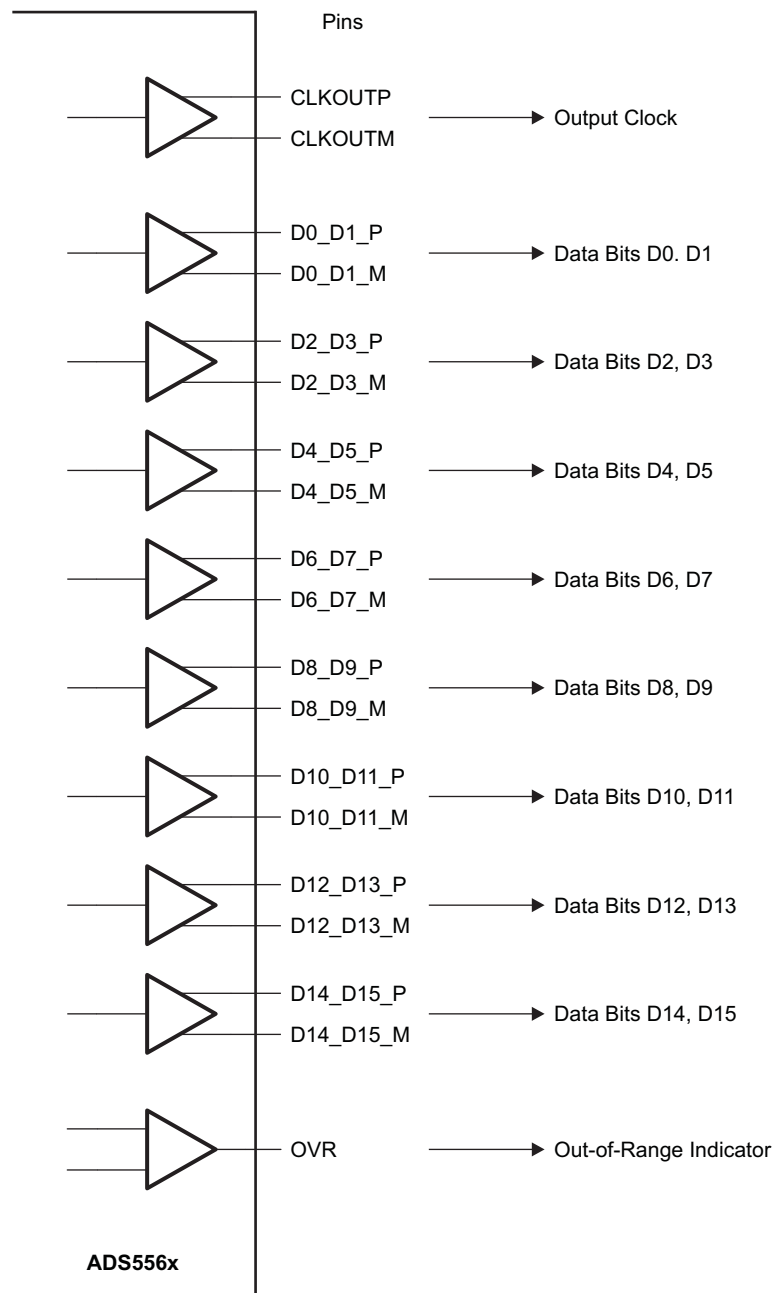
### **Output Interface**

ADS556X provides 16-bit data, an output clock synchronized with the data and an out-of-range indicator that goes high when the output reaches the full-scale limits. In addition, output enable control (OE) is provided to power down the output buffers and put the outputs in high-impedance state.

Two output interface options are available – Double Data Rate (DDR) LVDS and parallel CMOS. They can be selected using the DFS or the serial interface register bit **<ODI>** (see [Table 7](#)).

### **DDR LVDS Outputs**

In this mode, the 16 data bits and the output clock are put out using LVDS (Low Voltage Differential Signal) levels. Two successive data bits are multiplexed and output on each LVDS differential pair as shown in [Figure 57](#). So, there are 8 LVDS output pairs for the data bits and 1 LVDS output pair for the output clock.



S0169-03

Figure 57. DDR LVDS Outputs

Even data bits (D0, D2...D14) are output at the falling edge of CLKOUTP and the odd data bits (D1, D3...D15) are output at the rising edge of CLKOUTP. Both the rising and falling edges of CLKOUTP have to be used to capture all the data bits (see [Figure 58](#)).

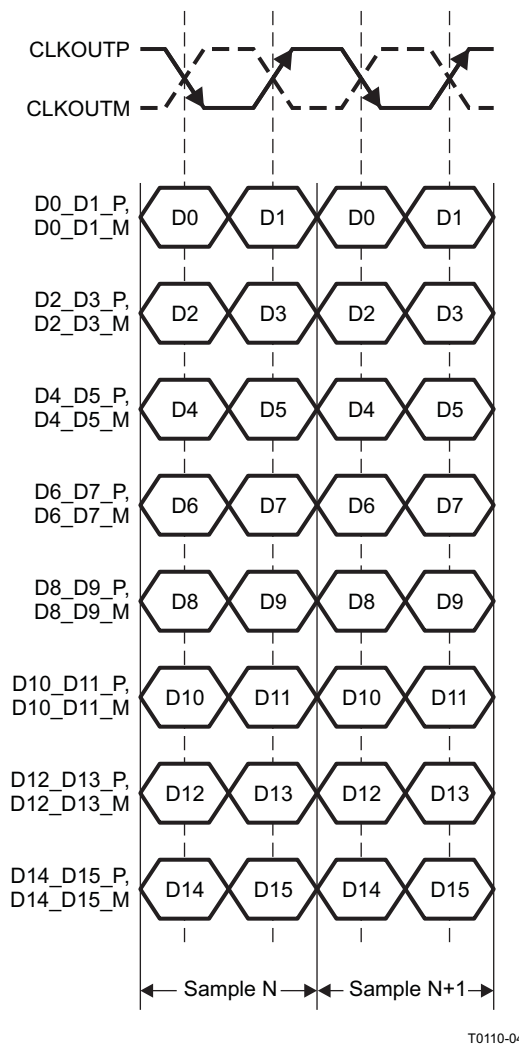


Figure 58. DDR LVDS Interface

### LVDS Buffer Current Programmability

The default LVDS buffer output current is 3.5 mA. When terminated by 100  $\Omega$ , this results in logic HIGH of +350 mV and logic LOW of -350 mV. The LVDS buffer currents can also be programmed to 2.5 mA, 4.5 mA, and 1.95 mA using the serial interface. In addition, there exists a current double mode, where this current is doubled for the data and output clock buffers.

Both the buffer current programming and the current double mode can be done separately for the data buffers and the output clock buffer (register bits <LVDS CURR>).

### LVDS Buffer Internal Termination

An internal termination option is available (using the serial interface), by which the LVDS buffers are differentially terminated inside the device. These termination resistances are available – 325, 200, and 175  $\Omega$  (nominal with  $\pm 20\%$  variation). Any combination of these three terminations can be programmed; the effective termination will be the parallel combination of the selected resistances. This results in eight effective terminations from open (no termination) to 75  $\Omega$ .

The internal termination helps to absorb any reflections coming from the receiver end, improving the signal integrity. With 100  $\Omega$  internal and 100  $\Omega$  external termination, the voltage swing at the receiver end will be halved (compared to no internal termination). The terminations can be controlled using register bits <DATA TERM> and <CLKOUT TERM>.

The voltage swing can be restored by using the LVDS current double mode (register bit <CURR DOUBLE>).

### Parallel CMOS

In this mode, the digital data and output clock are put out as 3.3-V CMOS voltage levels. Each data bit and the output clock is available on a separate pin in parallel. By default, the data outputs are valid during the rising edge of the output clock. The output clock is CLKOUT.

### Output Clock Position Programmability

In both the LVDS and CMOS modes, the output clock can be moved around its default position. This can be done using SEN pin (as described in [Table 6](#)) or using the serial interface register bits <CLKOUT POSN> ([Table 11](#)).

### Output Data Format

Two output data formats are supported – 2s complement and offset binary. They can be selected using DFS pin or the serial interface register bit <DFS> ( see [Table 9](#)). In the event of an input voltage overdrive, the digital outputs go to the appropriate full scale level. For a positive overdrive, the output code is 0xFFFF in offset binary output format, and 0x7FFF in 2s complement output format. For a negative input overdrive, the output code is 0x0000 in offset binary output format and 0x8000 in 2s complement output format.

## Board Design Considerations

### Grounding

A single ground plane is sufficient to give good performance, provided the analog, digital and clock sections of the board are cleanly partitioned. See the EVM User Guide (SLWU028) for details on layout and grounding.

### Supply de-coupling

As ADS556X already includes internal decoupling, minimal external decoupling can be used without loss in performance. Note that decoupling capacitors can help to filter external power supply noise, so the optimum number of capacitors would depend on the actual application. The decoupling capacitors should be placed very close to the converter supply pins. It is recommended to use separate supplies for the analog and digital supply pins to isolate digital switching noise from sensitive analog circuitry. In case only a single 3.3V supply is available, it should be routed first to AVDD. It can then be tapped and isolated with a ferrite bead (or inductor) with decoupling capacitor, before being routed to DRVDD.

### Exposed thermal pad

It is necessary to solder the exposed pad at the bottom of the package to a ground plane for best thermal performance. For detailed information, see application notes QFN Layout Guidelines (SLOA122) and QFN/SON PCB Attachment (SLUA271).

## DEFINITION OF SPECIFICATIONS

### Analog Bandwidth

The analog input frequency at which the power of the fundamental is reduced by 3 dB with respect to the low frequency value.

### Aperture Delay

The delay in time between the rising edge of the input sampling clock and the actual time at which the sampling occurs.

### Aperture Jitter

The sample-to-sample variation in aperture delay.

### Clock Pulse Width/Duty Cycle

The duty cycle of a clock signal is the ratio of the time the clock signal remains at a logic high (clock pulse width) to the period of the clock signal. Duty cycle is typically expressed as a percentage. A perfect differential sine-wave clock results in a 50% duty cycle.

### Maximum Sample Rate

The maximum conversion rate at which certified operation is given. All parametric testing is performed at this sampling rate unless otherwise noted.

### Minimum Sample Rate

The minimum conversion rate at which the ADC functions.

### Differential Nonlinearity (DNL)

An ideal ADC exhibits code transitions at analog input values spaced exactly 1 LSB apart. The DNL is the deviation of any single step from this ideal value, measured in units of LSBs

### Integral Nonlinearity (INL)

The INL is the deviation of the ADC's transfer function from a best fit line determined by a least squares curve fit of that transfer function, measured in units of LSBs.

### Gain Error

The gain error is the deviation of the ADC's actual input full-scale range from its ideal value. The gain error is given as a percentage of the ideal input full-scale range.

### Offset Error

The offset error is the difference, given in number of LSBs, between the ADC's actual average idle channel output code and the ideal average idle channel output code. This quantity is often mapped into mV.

### Temperature Drift

The temperature drift coefficient (with respect to gain error and offset error) specifies the change per degree Celsius of the parameter from  $T_{MIN}$  to  $T_{MAX}$ . It is calculated by dividing the maximum deviation of the parameter across the  $T_{MIN}$  to  $T_{MAX}$  range by the difference  $T_{MAX}-T_{MIN}$ .

### Signal-to-Noise Ratio

SNR is the ratio of the power of the fundamental ( $P_S$ ) to the noise floor power ( $P_N$ ), excluding the power at dc and the first nine harmonics.

$$\text{SNR} = 10\text{Log}_{10} \frac{P_S}{P_N} \quad (2)$$

SNR is either given in units of dBc (dB to carrier) when the absolute power of the fundamental is used as the reference, or dBFS (dB to full scale) when the power of the fundamental is extrapolated to the converter's full-scale range.

### Signal-to-Noise and Distortion (SINAD)

SINAD is the ratio of the power of the fundamental ( $P_S$ ) to the power of all the other spectral components including noise ( $P_N$ ) and distortion ( $P_D$ ), but excluding dc.

$$\text{SINAD} = 10\text{Log}_{10} \frac{P_S}{P_N + P_D} \quad (3)$$

SINAD is either given in units of dBc (dB to carrier) when the absolute power of the fundamental is used as the reference, or dBFS (dB to full scale) when the power of the fundamental is extrapolated to the converter's full-scale range.

### Effective Number of Bits (ENOB)

The ENOB is a measure of a converter's performance as compared to the theoretical limit based on quantization noise.

$$\text{ENOB} = \frac{\text{SINAD} - 1.76}{6.02} \quad (4)$$

### Total Harmonic Distortion (THD)

THD is the ratio of the power of the fundamental ( $P_S$ ) to the power of the first nine harmonics ( $P_D$ ).

$$\text{THD} = 10\text{Log}_{10} \frac{P_S}{P_N} \quad (5)$$

THD is typically given in units of dBc (dB to carrier).

### Spurious-Free Dynamic Range (SFDR)

The ratio of the power of the fundamental to the highest other spectral component (either spur or harmonic). SFDR is typically given in units of dBc (dB to carrier).

### Two-Tone Intermodulation Distortion

IMD3 is the ratio of the power of the fundamental (at frequencies  $f_1$  and  $f_2$ ) to the power of the worst spectral component at either frequency  $2f_1-f_2$  or  $2f_2-f_1$ . IMD3 is either given in units of dBc (dB to carrier) when the absolute power of the fundamental is used as the reference, or dBFS (dB to full scale) when the power of the fundamental is extrapolated to the converter's full-scale range.

### Voltage Overload Recovery

The number of clock cycles taken to recover to less than 1% error for a 6-dB overload on the analog inputs.

**PACKAGING INFORMATION**

Orderable Device	Status <sup>(1)</sup>	Package Type	Package Drawing	Pins	Package Qty	Eco Plan <sup>(2)</sup>	Lead/Ball Finish	MSL Peak Temp <sup>(3)</sup>
ADS5560IRGZ25	PREVIEW	VQFN	RGZ	48	25	TBD	Call TI	Call TI
ADS5560IRGZR	ACTIVE	VQFN	RGZ	48	2500	Green (RoHS & no Sb/Br)	CU NIPDAU	Level-3-260C-168 HR
ADS5560IRGZRG4	ACTIVE	VQFN	RGZ	48	2500	Green (RoHS & no Sb/Br)	CU NIPDAU	Level-3-260C-168 HR
ADS5560IRGZT	ACTIVE	VQFN	RGZ	48	250	Green (RoHS & no Sb/Br)	CU NIPDAU	Level-3-260C-168 HR
ADS5560IRGZTG4	ACTIVE	VQFN	RGZ	48	250	Green (RoHS & no Sb/Br)	CU NIPDAU	Level-3-260C-168 HR
ADS5562IRGZ25	PREVIEW	VQFN	RGZ	48	25	TBD	Call TI	Call TI
ADS5562IRGZR	ACTIVE	VQFN	RGZ	48	2500	Green (RoHS & no Sb/Br)	CU NIPDAU	Level-3-260C-168 HR
ADS5562IRGZRG4	ACTIVE	VQFN	RGZ	48	2500	Green (RoHS & no Sb/Br)	CU NIPDAU	Level-3-260C-168 HR
ADS5562IRGZT	ACTIVE	VQFN	RGZ	48	250	Green (RoHS & no Sb/Br)	CU NIPDAU	Level-3-260C-168 HR
ADS5562IRGZTG4	ACTIVE	VQFN	RGZ	48	250	Green (RoHS & no Sb/Br)	CU NIPDAU	Level-3-260C-168 HR

<sup>(1)</sup> The marketing status values are defined as follows:

**ACTIVE:** Product device recommended for new designs.

**LIFEBUY:** TI has announced that the device will be discontinued, and a lifetime-buy period is in effect.

**NRND:** Not recommended for new designs. Device is in production to support existing customers, but TI does not recommend using this part in a new design.

**PREVIEW:** Device has been announced but is not in production. Samples may or may not be available.

**OBSELETE:** TI has discontinued the production of the device.

<sup>(2)</sup> Eco Plan - The planned eco-friendly classification: Pb-Free (RoHS), Pb-Free (RoHS Exempt), or Green (RoHS & no Sb/Br) - please check <http://www.ti.com/productcontent> for the latest availability information and additional product content details.

**TBD:** The Pb-Free/Green conversion plan has not been defined.

**Pb-Free (RoHS):** TI's terms "Lead-Free" or "Pb-Free" mean semiconductor products that are compatible with the current RoHS requirements for all 6 substances, including the requirement that lead not exceed 0.1% by weight in homogeneous materials. Where designed to be soldered at high temperatures, TI Pb-Free products are suitable for use in specified lead-free processes.

**Pb-Free (RoHS Exempt):** This component has a RoHS exemption for either 1) lead-based flip-chip solder bumps used between the die and package, or 2) lead-based die adhesive used between the die and leadframe. The component is otherwise considered Pb-Free (RoHS compatible) as defined above.

**Green (RoHS & no Sb/Br):** TI defines "Green" to mean Pb-Free (RoHS compatible), and free of Bromine (Br) and Antimony (Sb) based flame retardants (Br or Sb do not exceed 0.1% by weight in homogeneous material)

<sup>(3)</sup> MSL, Peak Temp. -- The Moisture Sensitivity Level rating according to the JEDEC industry standard classifications, and peak solder temperature.

**Important Information and Disclaimer:** The information provided on this page represents TI's knowledge and belief as of the date that it is provided. TI bases its knowledge and belief on information provided by third parties, and makes no representation or warranty as to the accuracy of such information. Efforts are underway to better integrate information from third parties. TI has taken and continues to take reasonable steps to provide representative and accurate information but may not have conducted destructive testing or chemical analysis on incoming materials and chemicals. TI and TI suppliers consider certain information to be proprietary, and thus CAS numbers and other limited information may not be available for release.

In no event shall TI's liability arising out of such information exceed the total purchase price of the TI part(s) at issue in this document sold by TI to Customer on an annual basis.

**TAPE AND REEL INFORMATION**

**QUADRANT ASSIGNMENTS FOR PIN 1 ORIENTATION IN TAPE**


\*All dimensions are nominal

Device	Package Type	Package Drawing	Pins	SPQ	Reel Diameter (mm)	Reel Width W1 (mm)	A0 (mm)	B0 (mm)	K0 (mm)	P1 (mm)	W (mm)	Pin1 Quadrant
ADS5560IRGZR	VQFN	RGZ	48	2500	330.0	16.4	7.3	7.3	1.5	12.0	16.0	Q2
ADS5560IRGZT	VQFN	RGZ	48	250	330.0	16.4	7.3	7.3	1.5	12.0	16.0	Q2
ADS5562IRGZR	VQFN	RGZ	48	2500	330.0	16.4	7.3	7.3	1.5	12.0	16.0	Q2
ADS5562IRGZT	VQFN	RGZ	48	250	330.0	16.4	7.3	7.3	1.5	12.0	16.0	Q2



**TAPE AND REEL BOX DIMENSIONS**

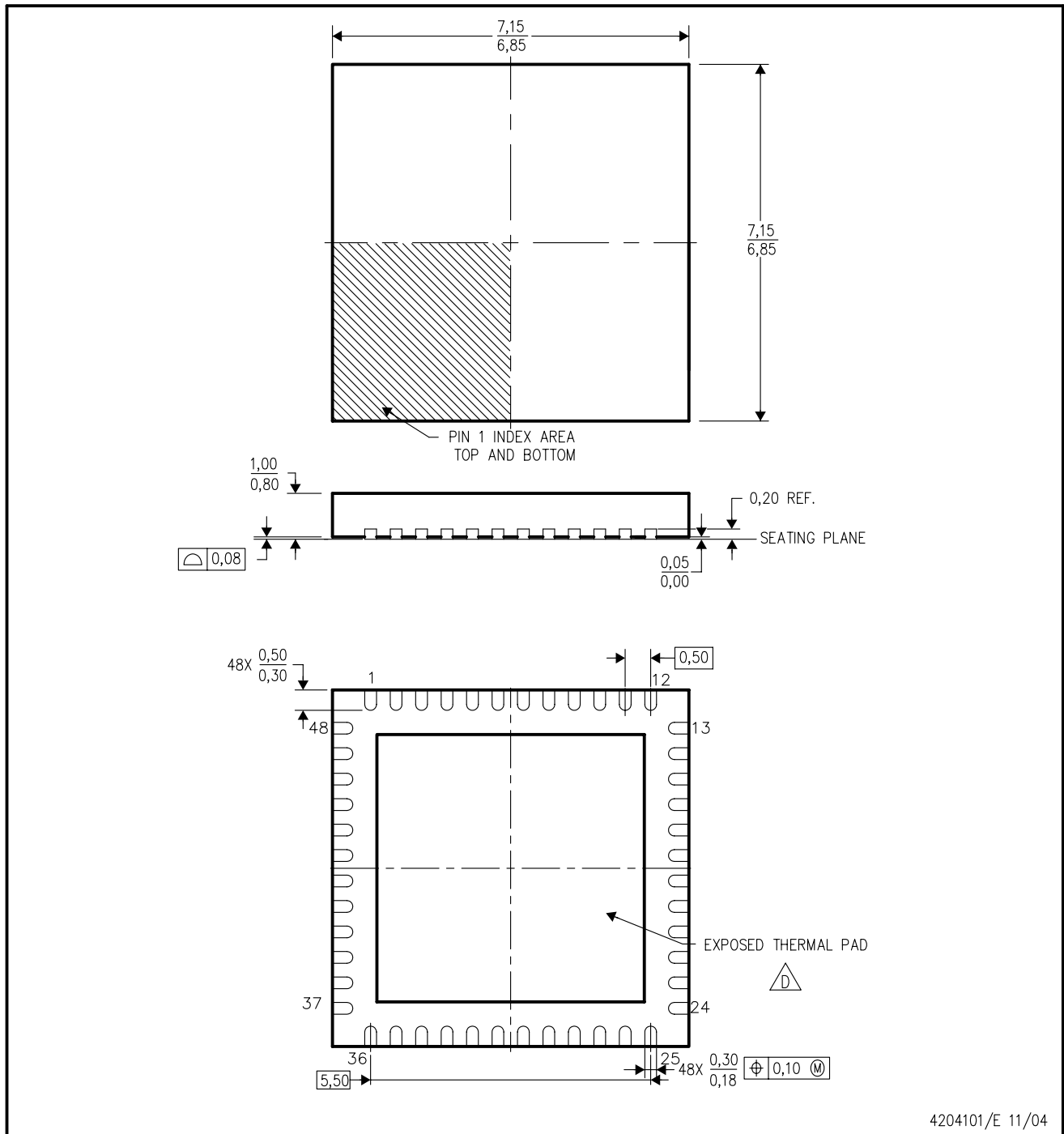


\*All dimensions are nominal


Device	Package Type	Package Drawing	Pins	SPQ	Length (mm)	Width (mm)	Height (mm)
ADS5560IRGZR	VQFN	RGZ	48	2500	333.2	345.9	28.6
ADS5560IRGZT	VQFN	RGZ	48	250	333.2	345.9	28.6
ADS5562IRGZR	VQFN	RGZ	48	2500	333.2	345.9	28.6
ADS5562IRGZT	VQFN	RGZ	48	250	333.2	345.9	28.6

RGZ (S-PQFP-N48)

PLASTIC QUAD FLATPACK



4204101/E 11/04

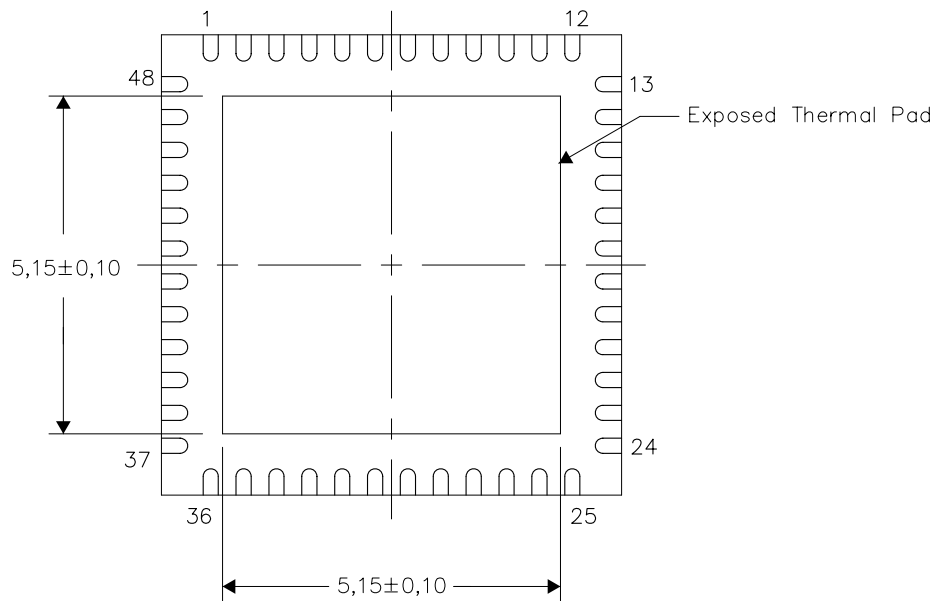
- NOTES:
- A. All linear dimensions are in millimeters. Dimensioning and tolerancing per ASME Y14.5M-1994.
  - B. This drawing is subject to change without notice.
  - C. Quad Flatpack, No-leads (QFN) package configuration.
  -  The package thermal pad must be soldered to the board for thermal and mechanical performance. See the Product Data Sheet for details regarding the exposed thermal pad dimensions.
  - E. Falls within JEDEC MO-220.

**THERMAL INFORMATION**

This package incorporates an exposed thermal pad that is designed to be attached directly to an external heatsink. The thermal pad must be soldered directly to the printed circuit board (PCB). After soldering, the PCB can be used as a heatsink. In addition, through the use of thermal vias, the thermal pad can be attached directly to the appropriate copper plane shown in the electrical schematic for the device, or alternatively, can be attached to a special heatsink structure designed into the PCB. This design optimizes the heat transfer from the integrated circuit (IC).

For information on the Quad Flatpack No-Lead (QFN) package and its advantages, refer to Application Report, QFN/SON PCB Attachment, Texas Instruments Literature No. SLUA271. This document is available at [www.ti.com](http://www.ti.com).

The exposed thermal pad dimensions for this package are shown in the following illustration.

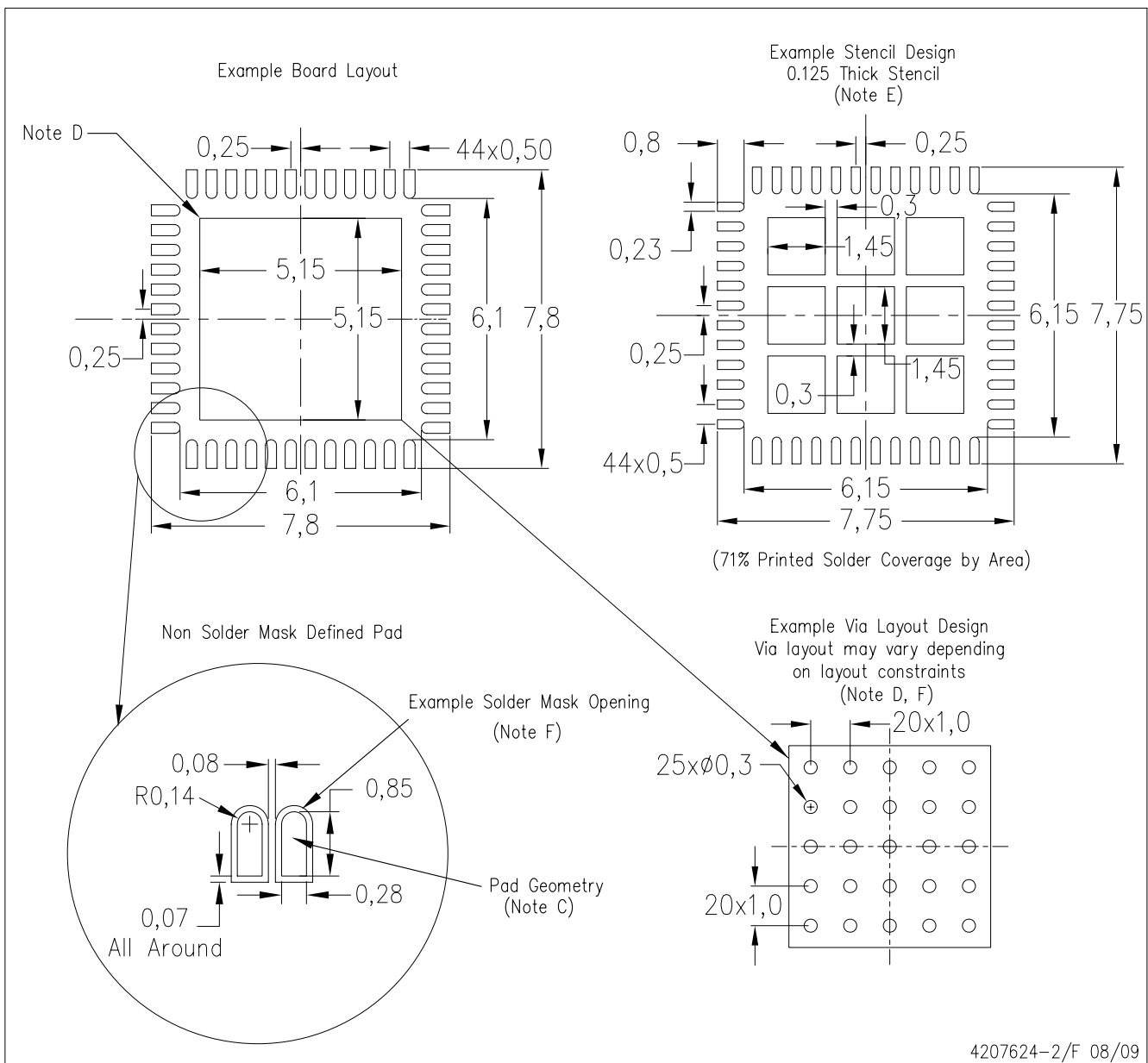


Bottom View

NOTE: All linear dimensions are in millimeters

Exposed Thermal Pad Dimensions

RGZ (S-PVQFN-N48)



- NOTES:
- All linear dimensions are in millimeters.
  - This drawing is subject to change without notice.
  - Publication IPC-7351 is recommended for alternate designs.
  - This package is designed to be soldered to a thermal pad on the board. Refer to Application Note, Quad Flat-Pack Packages, Texas Instruments Literature No. SLUA271, and also the Product Data Sheets for specific thermal information, via requirements, and recommended board layout. These documents are available at [www.ti.com](http://www.ti.com) <<http://www.ti.com>>.
  - Laser cutting apertures with trapezoidal walls and also rounding corners will offer better paste release. Customers should contact their board assembly site for stencil design recommendations. Refer to IPC 7525 for stencil design considerations.
  - Customers should contact their board fabrication site for recommended solder mask tolerances and via tenting recommendations for vias placed in the thermal pad.

## IMPORTANT NOTICE

Texas Instruments Incorporated and its subsidiaries (TI) reserve the right to make corrections, modifications, enhancements, improvements, and other changes to its products and services at any time and to discontinue any product or service without notice. Customers should obtain the latest relevant information before placing orders and should verify that such information is current and complete. All products are sold subject to TI's terms and conditions of sale supplied at the time of order acknowledgment.

TI warrants performance of its hardware products to the specifications applicable at the time of sale in accordance with TI's standard warranty. Testing and other quality control techniques are used to the extent TI deems necessary to support this warranty. Except where mandated by government requirements, testing of all parameters of each product is not necessarily performed.

TI assumes no liability for applications assistance or customer product design. Customers are responsible for their products and applications using TI components. To minimize the risks associated with customer products and applications, customers should provide adequate design and operating safeguards.

TI does not warrant or represent that any license, either express or implied, is granted under any TI patent right, copyright, mask work right, or other TI intellectual property right relating to any combination, machine, or process in which TI products or services are used. Information published by TI regarding third-party products or services does not constitute a license from TI to use such products or services or a warranty or endorsement thereof. Use of such information may require a license from a third party under the patents or other intellectual property of the third party, or a license from TI under the patents or other intellectual property of TI.

Reproduction of TI information in TI data books or data sheets is permissible only if reproduction is without alteration and is accompanied by all associated warranties, conditions, limitations, and notices. Reproduction of this information with alteration is an unfair and deceptive business practice. TI is not responsible or liable for such altered documentation. Information of third parties may be subject to additional restrictions.

Resale of TI products or services with statements different from or beyond the parameters stated by TI for that product or service voids all express and any implied warranties for the associated TI product or service and is an unfair and deceptive business practice. TI is not responsible or liable for any such statements.

TI products are not authorized for use in safety-critical applications (such as life support) where a failure of the TI product would reasonably be expected to cause severe personal injury or death, unless officers of the parties have executed an agreement specifically governing such use. Buyers represent that they have all necessary expertise in the safety and regulatory ramifications of their applications, and acknowledge and agree that they are solely responsible for all legal, regulatory and safety-related requirements concerning their products and any use of TI products in such safety-critical applications, notwithstanding any applications-related information or support that may be provided by TI. Further, Buyers must fully indemnify TI and its representatives against any damages arising out of the use of TI products in such safety-critical applications.

TI products are neither designed nor intended for use in military/aerospace applications or environments unless the TI products are specifically designated by TI as military-grade or "enhanced plastic." Only products designated by TI as military-grade meet military specifications. Buyers acknowledge and agree that any such use of TI products which TI has not designated as military-grade is solely at the Buyer's risk, and that they are solely responsible for compliance with all legal and regulatory requirements in connection with such use.

TI products are neither designed nor intended for use in automotive applications or environments unless the specific TI products are designated by TI as compliant with ISO/TS 16949 requirements. Buyers acknowledge and agree that, if they use any non-designated products in automotive applications, TI will not be responsible for any failure to meet such requirements.

Following are URLs where you can obtain information on other Texas Instruments products and application solutions:

<b>Products</b>		<b>Applications</b>	
Amplifiers	<a href="http://amplifier.ti.com">amplifier.ti.com</a>	Audio	<a href="http://www.ti.com/audio">www.ti.com/audio</a>
Data Converters	<a href="http://dataconverter.ti.com">dataconverter.ti.com</a>	Automotive	<a href="http://www.ti.com/automotive">www.ti.com/automotive</a>
DLP® Products	<a href="http://www.dlp.com">www.dlp.com</a>	Communications and Telecom	<a href="http://www.ti.com/communications">www.ti.com/communications</a>
DSP	<a href="http://dsp.ti.com">dsp.ti.com</a>	Computers and Peripherals	<a href="http://www.ti.com/computers">www.ti.com/computers</a>
Clocks and Timers	<a href="http://www.ti.com/clocks">www.ti.com/clocks</a>	Consumer Electronics	<a href="http://www.ti.com/consumer-apps">www.ti.com/consumer-apps</a>
Interface	<a href="http://interface.ti.com">interface.ti.com</a>	Energy	<a href="http://www.ti.com/energy">www.ti.com/energy</a>
Logic	<a href="http://logic.ti.com">logic.ti.com</a>	Industrial	<a href="http://www.ti.com/industrial">www.ti.com/industrial</a>
Power Mgmt	<a href="http://power.ti.com">power.ti.com</a>	Medical	<a href="http://www.ti.com/medical">www.ti.com/medical</a>
Microcontrollers	<a href="http://microcontroller.ti.com">microcontroller.ti.com</a>	Security	<a href="http://www.ti.com/security">www.ti.com/security</a>
RFID	<a href="http://www.ti-rfid.com">www.ti-rfid.com</a>	Space, Avionics & Defense	<a href="http://www.ti.com/space-avionics-defense">www.ti.com/space-avionics-defense</a>
RF/IF and ZigBee® Solutions	<a href="http://www.ti.com/lprf">www.ti.com/lprf</a>	Video and Imaging	<a href="http://www.ti.com/video">www.ti.com/video</a>
		Wireless	<a href="http://www.ti.com/wireless-apps">www.ti.com/wireless-apps</a>

Mailing Address: Texas Instruments, Post Office Box 655303, Dallas, Texas 75265  
Copyright © 2010, Texas Instruments Incorporated