

14-Bit, 400MSPS Digital-to-Analog Converter

FEATURES

- 400MSPS Update Rate
- LVDS-Compatible Input Interface
- Spurious-Free Dynamic Range (SFDR) to Nyquist:
 - 69dBc at 70MHz IF, 400MSPS
- W-CDMA Adjacent Channel Power Ratio (ACPR):
 - 73dBc at 30.72MHz IF, 122.88MSPS
 - 71dBc at 61.44MHz IF, 245.76MSPS
- Differential Scalable Current Sink Outputs: 2mA to 20mA
- On-Chip 1.2V Reference
- Single 3.3V Supply Operation

- Power Dissipation: 660mW at $f_{CLK} = 400MSPS$, $f_{OUT} = 20MHz$
- Package: 48-Pin HTQFP PowerPad™, $T_{JA} = 28.8^{\circ}C/W$

APPLICATIONS

- Cellular Base Transceiver Station Transmit Channel:
 - CDMA: WCDMA, CDMA2000, IS-95
 - TDMA: GSM, IS-136, EDGE/GPRS
 - Supports Single-Carrier and Multicarrier Applications
- Test and Measurement: Arbitrary Waveform Generation
- Direct Digital Synthesis (DDS)
- Cable Modem Headend

DESCRIPTION

The DAC5675A is a 14-bit resolution high-speed digital-to-analog converter. The DAC5675A is designed for high-speed digital data transmission in wired and wireless communication systems, high-frequency direct-digital synthesis (DDS), and waveform reconstruction in test and measurement applications. The DAC5675A has excellent spurious-free dynamic range (SFDR) at high intermediate frequencies, which makes the DAC5675A well-suited for multicarrier transmission in TDMA- and CDMA-based cellular base transceiver stations (BTSs).

The DAC5675A operates from a single-supply voltage of 3.3V. Power dissipation is 660mW at $f_{CLK} = 400MSPS$, $f_{OUT} = 70MHz$. The DAC5675A provides a nominal full-scale differential current output of 20mA, supporting both single-ended and differential applications. The output current can be directly fed to the load with no additional external output buffer required. The output is referred to the analog supply voltage AV_{DD} .

The DAC5675A comprises a low-voltage differential signaling (LVDS) interface for high-speed digital data input. LVDS features a low differential voltage swing with a low constant power consumption across frequency, allowing for high-speed data transmission with low noise levels; that is, with low electromagnetic interference (EMI). LVDS is typically implemented in low-voltage digital CMOS processes, making it the ideal technology for high-speed interfacing between the DAC5675A and high-speed low-voltage CMOS ASICs or FPGAs. The DAC5675A current-sink-array architecture supports update rates of up to 400MSPS. On-chip edge-triggered input latches provide for minimum setup and hold times, thereby relaxing interface timing.

The DAC5675A has been specifically designed for a differential transformer-coupled output with a 50Ω doubly-terminated load. With the 20mA full-scale output current, both a 4:1 impedance ratio (resulting in an output power of 4dBm) and 1:1 impedance ratio transformer (–2dBm) are supported. The last configuration is preferred for optimum performance at high output frequencies and update rates. The outputs are terminated to AV_{DD} and have voltage compliance ranges from $AV_{DD} - 1$ to $AV_{DD} + 0.3V$.

An accurate on-chip 1.2V temperature-compensated bandgap reference and control amplifier allows the user to adjust this output current from 20mA down to 2mA. This provides 20dB gain range control capabilities. Alternatively, an external reference voltage may be applied. The DAC5675A features a SLEEP mode, which reduces the standby power to approximately 18mW.



Please be aware that an important notice concerning availability, standard warranty, and use in critical applications of Texas Instruments semiconductor products and disclaimers thereto appears at the end of this data sheet.

PowerPad is a trademark of Texas Instruments.
All trademarks are the property of their respective owners.

The DAC5675A is available in a 48-pin HTQFP thermally-enhanced PowerPad package. This package increases thermal efficiency in a standard size IC package. The device is characterized for operation over the industrial temperature range of -40°C to $+85^{\circ}\text{C}$.



This integrated circuit can be damaged by ESD. Texas Instruments recommends that all integrated circuits be handled with appropriate precautions. Failure to observe proper handling and installation procedures can cause damage.

ESD damage can range from subtle performance degradation to complete device failure. Precision integrated circuits may be more susceptible to damage because very small parametric changes could cause the device not to meet its published specifications.

ABSOLUTE MAXIMUM RATINGS

over operating free-air temperature range (unless otherwise noted)⁽¹⁾

		DAC5675A	UNIT
Supply voltage range	$AV_{DD}^{(2)}$	-0.3 to $+3.6$	V
	$DV_{DD}^{(3)}$	-0.3 to $+3.6$	V
	AV_{DD} to DV_{DD}	-3.6 to $+3.6$	V
Voltage between AGND and DGND		-0.3 to $+0.5$	V
CLK, CLKC(2)		-0.3 to $AV_{DD} + 0.3$	V
Digital input D[13:0]A, D[13:0]B(3), SLEEP		-0.3 to $DV_{DD} + 0.3$	V
IOUT1, IOUT2(2)		-1.0 to $AV_{DD} + 0.3$	V
EXTIO, BIAS(2)		-1.0 to $AV_{DD} + 0.3$	V
Peak input current (any input)		20	mA
Peak total input current (all inputs)		-30	mA
Operating free-air temperature range, T_A		-40 to $+85$	$^{\circ}\text{C}$
Storage temperature range		-65 to $+150$	$^{\circ}\text{C}$
Lead temperature 1,6mm (1/16in) from the case for 10s		+260	$^{\circ}\text{C}$

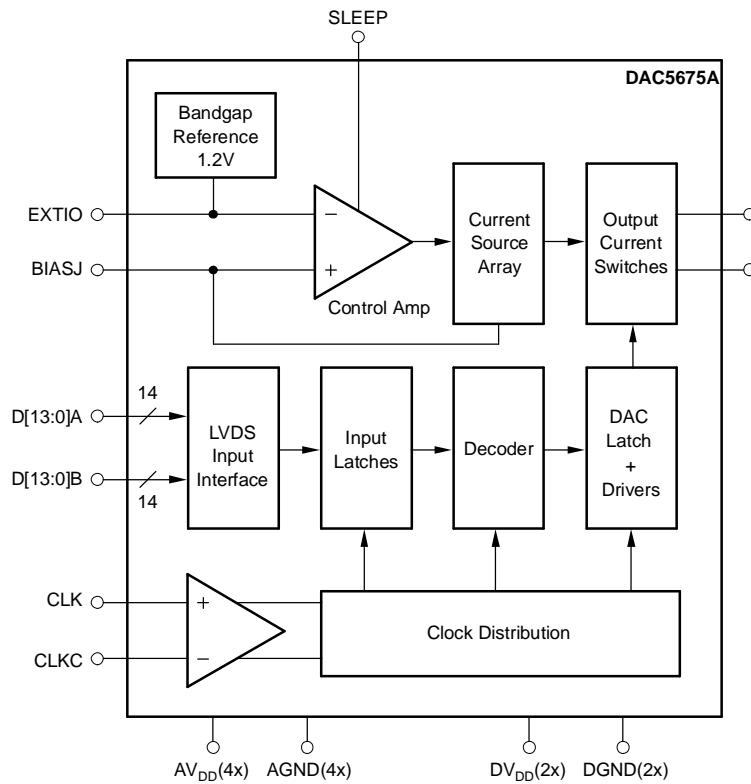
- (1) Stresses above those listed under *Absolute Maximum Ratings* may cause permanent damage to the device. Exposure outside of absolute maximum conditions for extended periods may degrade device reliability. These are stress ratings only, and functional operation of the device at these or any other conditions beyond those indicated under recommended operating conditions is not implied. Exposure to absolute-maximum-rated conditions for extended periods may affect device reliability.
- (2) Measured with respect to AGND.
- (3) Measured with respect to DGND.

ORDERING INFORMATION⁽¹⁾

PRODUCT	PACKAGE-LEAD	PACKAGE DESIGNATOR	SPECIFIED TEMPERATURE RANGE	PACKAGE MARKING	ORDERING NUMBER	TRANSPORT MEDIA, QUANTITY
DAC5675A	48-HTQFP	PHP	-40°C to $+85^{\circ}\text{C}$	DAC5675A	DAC5675AIPHP	Tray, 250
					DAC5675AIPHPR	Tray, 1000

- (1) For the most current package and ordering information, see the Package Option Addendum located at the end of this data sheet.

Functional Block Diagram



DC ELECTRICAL CHARACTERISTICS

Over operating free-air temperature range. Typical values at +25°C, AV_{DD} = 3.3V, DV_{DD} = 3.3V, I_{O(FS)} = 20mA, unless otherwise noted.

PARAMETER		TEST CONDITIONS	DAC5675A			UNIT
			MIN	TYP	MAX	
Resolution			14			Bit
DC Accuracy⁽¹⁾						
INL	Integral nonlinearity	T _{MIN} to T _{MAX}	-4	±1.5	4	LSB
DNL	Differential nonlinearity		-2	±0.6	2	LSB
Monotonicity			Monotonic 12b Level			
Analog Output						
I _{O(FS)}	Full-scale output current		2		20	mA
	Output compliance range	AV _{DD} = 3.15V to 3.45V, I _{O(FS)} = 20mA	AV _{DD} -1		AV _{DD} +0.3	V
	Offset error			0.01		%FSR
	Gain error	Without internal reference	-10	5	10	%FSR
		With internal reference	-10	2.5	10	%FSR
	Output resistance			300		kΩ
	Output capacitance			5		pF
Reference Output						
V _(EXTIO)	Reference voltage		1.17	1.23	1.29	V
	Reference output current ⁽²⁾			100		nA
Reference Input						
V _(EXTIO)	Input reference voltage		0.6	1.2	1.25	V
	Input resistance			1		MΩ
	Small-signal bandwidth			1.4		MHz
	Input capacitance			100		pF
Temperature Coefficients						
	Offset drift			12		ppm of FSR/°C
Δ V _(EXTIO)	Reference voltage drift			±50		ppm/°C
Power Supply						
AV _{DD}	Analog supply voltage		3.15	3.3	3.6	V
DV _{DD}	Digital supply voltage		3.15	3.3	3.6	V
I _(AVDD)	Analog supply current ⁽³⁾			115		mA
I _(DVDD)	Digital supply current ⁽³⁾			85		mA
P _D	Power dissipation	Sleep mode		18		mW
P _D	Power dissipation	AV _{DD} = 3.3V, DV _{DD} = 3.3V		660	900	mW
APSR	Analog and digital power-supply rejection ratio	AV _{DD} = 3.15V to 3.45V	-0.5	±0.1	0.5	%FSR/V
DPSRR			-0.5	±0.1	0.5	%FSR/V

(1) Measured differential at I_{OUT1} and I_{OUT2}; 25Ω to AV_{DD}.
 (2) Use an external buffer amplifier with high impedance input to drive any external load.
 (3) Measured at f_{CLK} = 400MSPS and f_{OUT} = 70MHz.

AC ELECTRICAL CHARACTERISTICS

Over operating free-air temperature range. Typical values at +25°C, $AV_{DD} = 3.3V$, $DV_{DD} = 3.3V$, $I_{O(FS)} = 20mA$, differential transformer-coupled output, 50Ω doubly-terminated load, unless otherwise noted.

PARAMETER		TEST CONDITIONS	DAC5675A			UNIT
			MIN	TYP	MAX	
Analog Output						
f_{CLK}	Output update rate				400	MSPS
$t_{s(DAC)}$	Output setting time to 0.1%	Transition: code x2000 to x23FF		12		ns
t_{PD}	Output propagation delay			1		ns
$t_{r(IOUT)}$	Output rise time, 10% to 90%			300		ps
$t_{f(IOUT)}$	Output fall time, 90% to 10%			300		ps
	Output noise ⁽¹⁾	$I_{OUTFS} = 20mA$		55		$\mu A/\sqrt{Hz}$
		$I_{OUTFS} = 2mA$		30		$\mu A/\sqrt{Hz}$
AC Linearity						
THD	Total harmonic distortion	$f_{CLK} = 100MSPS, f_{OUT} = 19.9MHz$		73		dBc
		$f_{CLK} = 160MSPS, f_{OUT} = 41MHz$		72		dBc
		$f_{CLK} = 200MSPS, f_{OUT} = 70MHz$		68		dBc
		$f_{CLK} = 400MSPS, f_{OUT} = 20.1MHz$		72		dBc
		$f_{CLK} = 400MSPS, f_{OUT} = 70MHz$		71		dBc
		$f_{CLK} = 400MSPS, f_{OUT} = 140MHz$		58		dBc
SFDR	Spurious-free dynamic range to Nyquist	$f_{CLK} = 100MSPS, f_{OUT} = 19.9MHz$		73		dBc
		$f_{CLK} = 160MSPS, f_{OUT} = 41MHz$		73		dBc
		$f_{CLK} = 200MSPS, f_{OUT} = 70MHz$		70		dBc
		$f_{CLK} = 400MSPS, f_{OUT} = 20.1MHz$		73		dBc
		$f_{CLK} = 400MSPS, f_{OUT} = 70MHz$		74		dBc
		$f_{CLK} = 400MSPS, f_{OUT} = 140MHz$		60		dBc
SFDR	Spurious-free dynamic range within a window, 5MHz span	$f_{CLK} = 100MSPS, f_{OUT} = 19.9MHz$		88		dBc
		$f_{CLK} = 160MSPS, f_{OUT} = 41MHz$		87		dBc
		$f_{CLK} = 200MSPS, f_{OUT} = 70MHz$		82		dBc
		$f_{CLK} = 400MSPS, f_{OUT} = 20.1MHz$		87		dBc
		$f_{CLK} = 400MSPS, f_{OUT} = 70MHz$		82		dBc
		$f_{CLK} = 400MSPS, f_{OUT} = 140MHz$		75		dBc
ACPR	Adjacent channel power ratio WCDMA with 3.84MHz BW, 5MHz channel spacing	$f_{CLK} = 122.88MSPS, IF = 30.72MHz^{(2)}$		73		dB
		$f_{CLK} = 245.76MSPS, IF = 61.44MHz^{(3)}$		71		dB
		$f_{CLK} = 399.32MSPS, IF = 153.36MHz^{(4)}$		65		dB
IMD	Two-tone intermodulation to Nyquist (each tone at -6dBfs)	$f_{CLK} = 400MSPS, f_{OUT1} = 70MHz, f_{OUT2} = 71MHz$		73		dBc
		$f_{CLK} = 400MSPS, f_{OUT1} = 140MHz, f_{OUT2} = 141MHz$		62		dBc
	Four-tone intermodulation, 15MHz span, missing center tone (each tone at -16dBfs)	$f_{CLK} = 156MSPS, f_{OUT} = 15.6, 15.8, 16.2, 16.4MHz$		82		dBc
		$f_{CLK} = 400MSPS, f_{OUT} = 68.1, 69.3, 71.2, 72MHz$		74		dBc

(1) Noise averaged up to 400MHz when operating at 400MSPS.

(2) See [Figure 9](#).

(3) See [Figure 10](#).

(4) See [Figure 12](#)

DIGITAL SPECIFICATIONS

Over operating free-air temperature range. Typical values at +25°C, AV_{DD} = 3.3V, DV_{DD} = 3.3V, unless otherwise noted.

PARAMETER		TEST CONDITIONS	DAC5675A			UNIT
			MIN	TYP	MAX	
LVDS Interface: nodes D[13:0]A, D[13:0]B						
V _{ITH+}	Positive-going differential input voltage threshold	See LVDS min/max threshold voltages table		100		mV
V _{ITH-}	Negative-going differential input voltage threshold			-100		mV
Z _T	Internal termination impedance		90	110	132	Ω
C _I	Input capacitance			2		pF
CMOS Interface (SLEEP):						
V _{IH}	High-level input voltage		2	3.3		V
V _{IL}	Low-level input voltage			0	0.8	V
I _{IH}	High-level input current		-100		100	μA
I _{IL}	Low-level input current		-10		10	μA
	Input capacitance			2		pF
Clock Interface (CLK, CLKC):						
CLK-CLKC	Clock differential input voltage		0.4		0.8	V _{PP}
	Clock duty cycle		40		60	%
V _{CM}	Common-mode voltage range			2 ±20%		V
	Input resistance	Node CLK, CLKC		670		Ω
	Input capacitance	Node CLK, CLKC		2		pF
	Input resistance	Differential		1.3		kΩ
	Input capacitance	Differential		1		pF
Timing						
t _{SU}	Input setup time		1.5			ns
t _H	Input hold time		0			ns
t _{DD}	Digital delay time (DAC latency)			3		clk

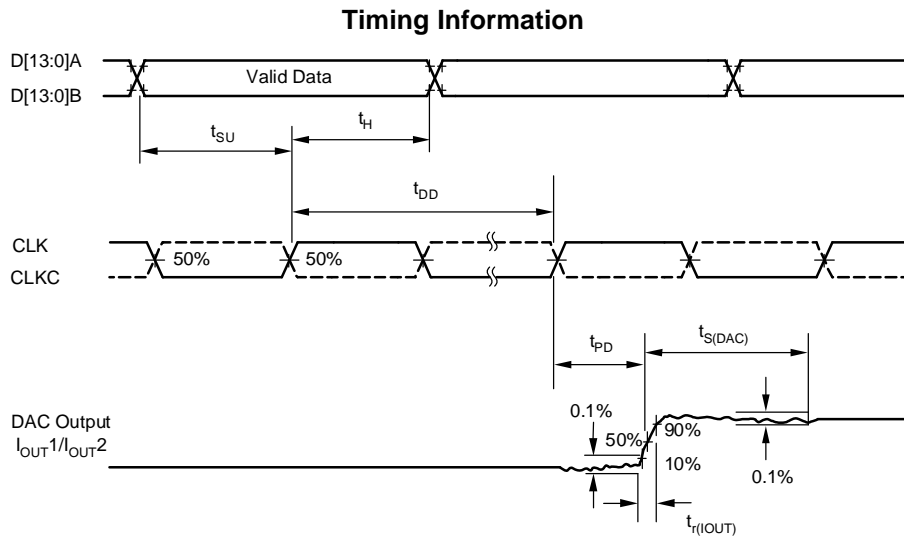


Figure 1. Timing Diagram

ELECTRICAL CHARACTERISTICS⁽¹⁾

Over operating free-air temperature range, AV_{DD} = 3.3V, DV_{DD} = 3.3V, I_{O(FS)} = 20mA, unless otherwise noted.

APPLIED VOLTAGES		RESULTING DIFFERENTIAL INPUT VOLTAGE	RESULTING COMMON-MODE INPUT VOLTAGE	LOGICAL BIT BINARY EQUIVALENT	COMMENT
V _A [V]	V _B [V]	V _{A,B} [mV]	V _{COM} [V]		
1.25	1.15	100	1.2	1	Operation with minimum differential voltage (±100mV) applied to the complementary inputs versus common-mode range
1.15	1.25	-100	1.2	0	
2.4	2.3	100	2.35	1	
2.3	2.4	-100	2.35	0	
0.1	0	100	0.05	1	
0	0.1	-100	0.05	0	
1.5	0.9	600	1.2	1	Operation with maximum differential voltage (±600mV) applied to the complementary inputs versus common-mode range
0.9	1.5	-600	1.2	0	
2.4	1.8	600	2.1	1	
1.8	2.4	-600	2.1	0	
0.6	0	600	0.3	1	
0	0.6	-600	0.3	0	

(1) Specifications subject to change.

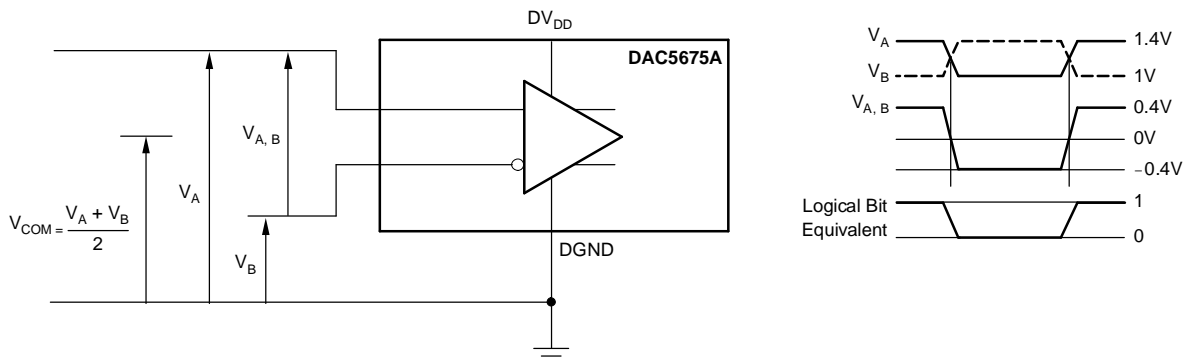


Figure 2. LVDS Timing Test Circuit and Input Test Levels

DEVICE INFORMATION

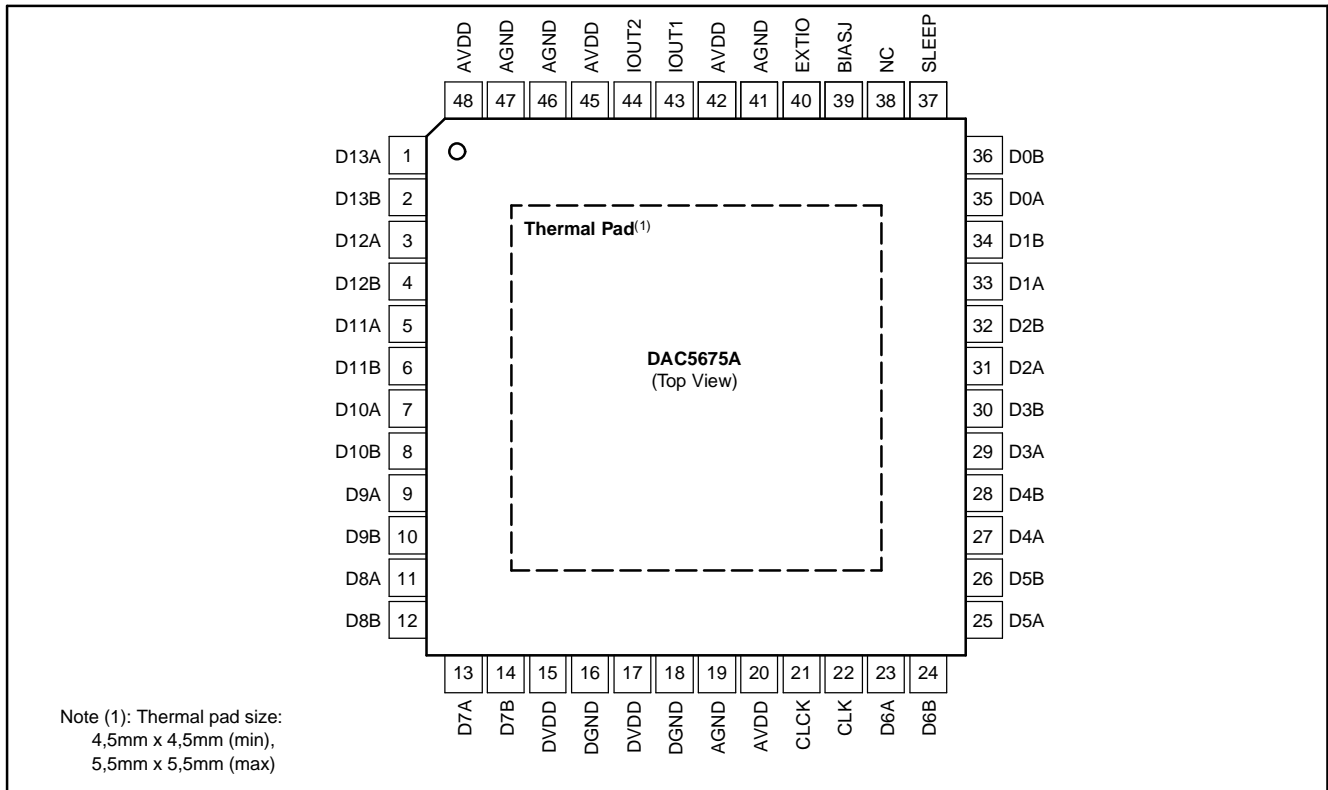


Table 1. TERMINAL FUNCTIONS

TERMINAL		I/O	DESCRIPTION
NAME	NO.		
AGND	19, 41, 46, 47	I	Analog negative supply voltage (ground); pin 47 internally connected to PowerPAD.
AV _{DD}	20, 42, 45, 48	I	Analog positive supply voltage.
BIASJ	39	O	Full-scale output current bias.
CLK	22	I	External clock input.
CLKC	21	I	Complementary external clock input.
D[13:0]A	1, 3, 5, 7, 9, 11, 13, 23, 25, 27, 29, 31, 33, 35	I	LVDS positive input, data bits 0 through 13. D13A is most significant data bit (MSB). D0A is least significant data bit (MSB).
D[13:0]B	2, 4, 6, 8, 10, 12, 14, 24, 26, 28, 30, 32, 34, 36	I	LVDS negative input, data bits 0 through 13. D13B is most significant data bit (MSB). D0B is least significant data bit (MSB).
DGND	16, 18	I	Digital negative supply voltage (ground).
NC	38	—	Not connected in chip. Can be high or low.
DV _{DD}	15, 17	I	Digital positive supply voltage.
EXTIO	40	I/O	Internal reference output or external reference input. Requires a 0.1µF decoupling capacitor to AGND when used as reference output.
IOUT1	43	O	DAC current output. Full-scale when all input bits are set to '0'. Connect reference side of DAC load resistors to AV _{DD} .
IOUT2	44	O	DAC complementary current output. Full-scale when all input bits are set to '1'. Connect reference side of DAC load resistors to AV _{DD} .
SLEEP	37	I	Asynchronous hardware power down input. Active high. Internal pull-down.

TYPICAL CHARACTERISTICS

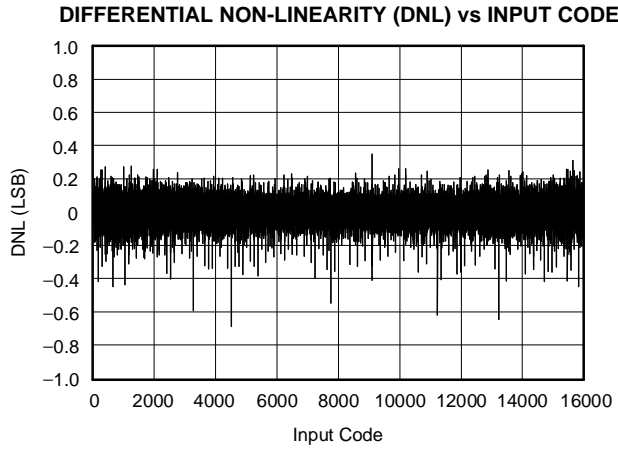


Figure 3.

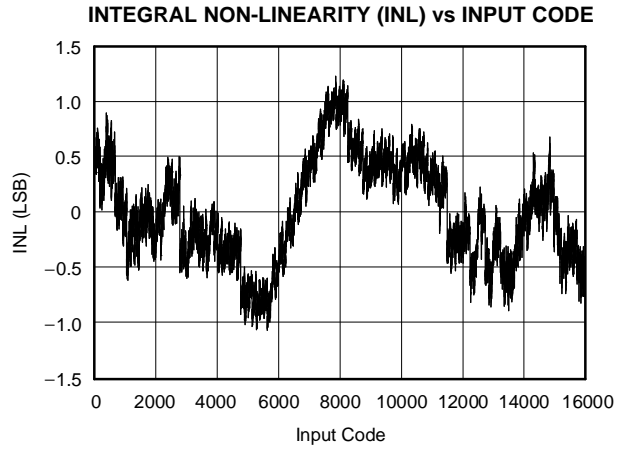


Figure 4.

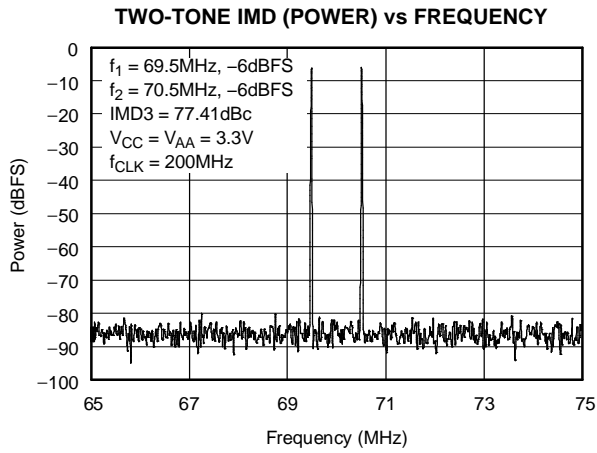


Figure 5.

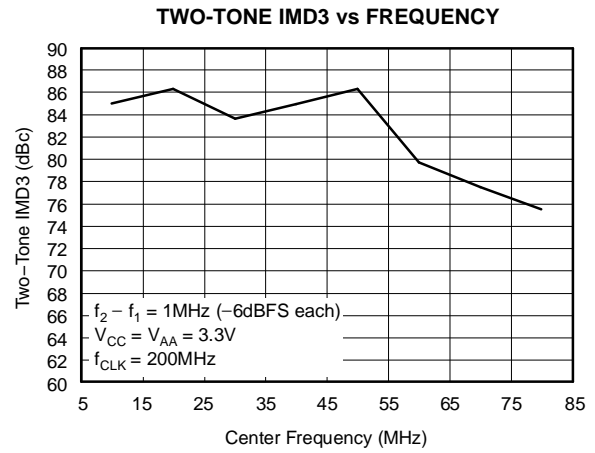


Figure 6.

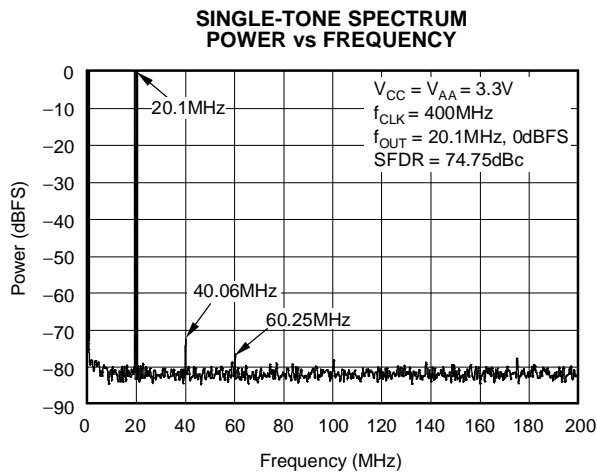


Figure 7.

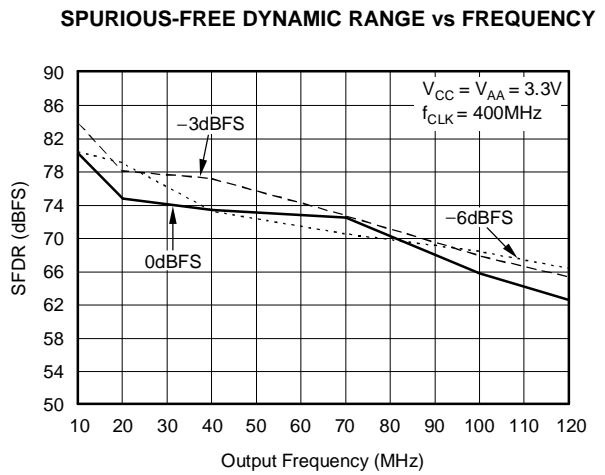


Figure 8.

TYPICAL CHARACTERISTICS (continued)

SPURIOUS-FREE DYNAMIC RANGE vs FREQUENCY

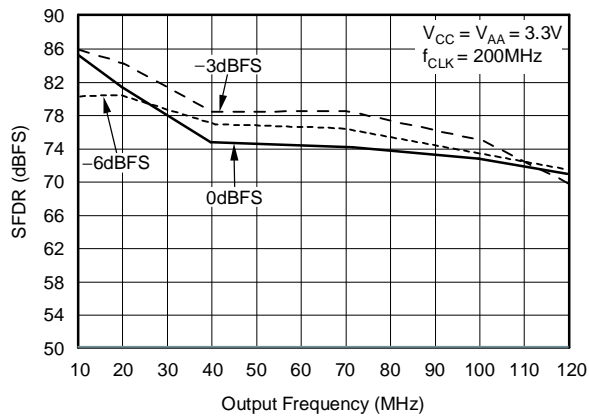


Figure 9.

W-CDMA TM1 SINGLE CARRIER
POWER vs FREQUENCY

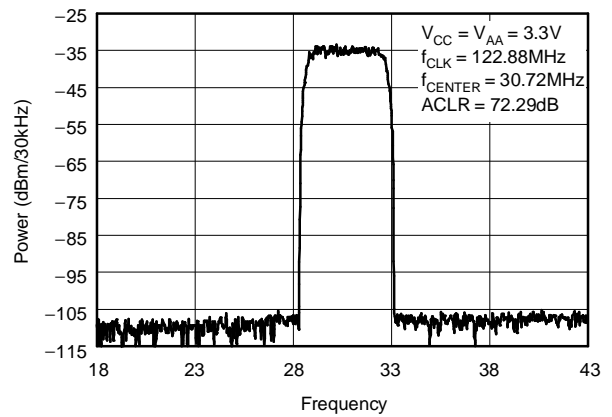


Figure 10.

W-CDMA TM1 DUAL CARRIER
POWER vs FREQUENCY

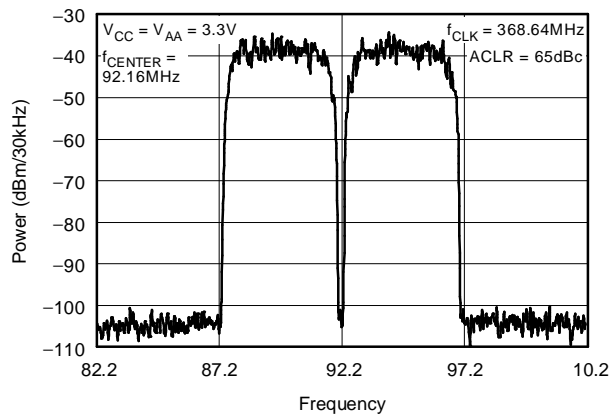


Figure 11.

W-CDMA TM1 SINGLE CARRIER
ACLR vs OUTPUT FREQUENCY

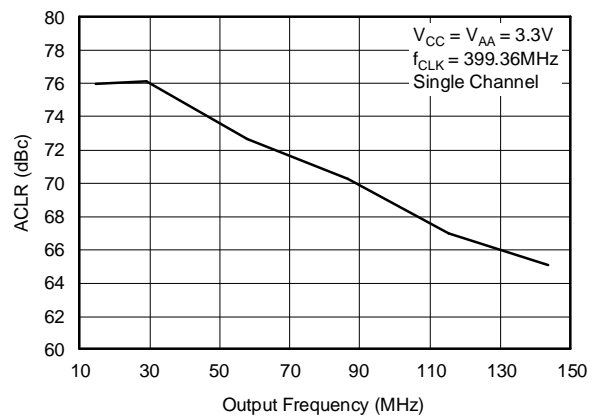


Figure 12.

APPLICATION INFORMATION

Detailed Description

Figure 13 shows a simplified block diagram of the current steering DAC5675A. The DAC5675A consists of a segmented array of NPN-transistor current sinks, capable of delivering a full-scale output current up to 20mA. Differential current switches direct the current of each current sink to either one of the complementary output nodes IOUT1 or IOUT2. The complementary current output enables differential operation, canceling out common-mode noise sources (digital feed-through, on-chip and PCB noise), dc offsets, and even-order distortion components, and doubling signal output power.

The full-scale output current is set using an external resistor (R_{BIAS}) in combination with an on-chip bandgap voltage reference source (1.2V) and control amplifier. The current (I_{BIAS}) through resistor R_{BIAS} is mirrored internally to provide a full-scale output current equal to 16 times I_{BIAS} . The full-scale current is adjustable from 20mA down to 2mA by using the appropriate bias resistor value.

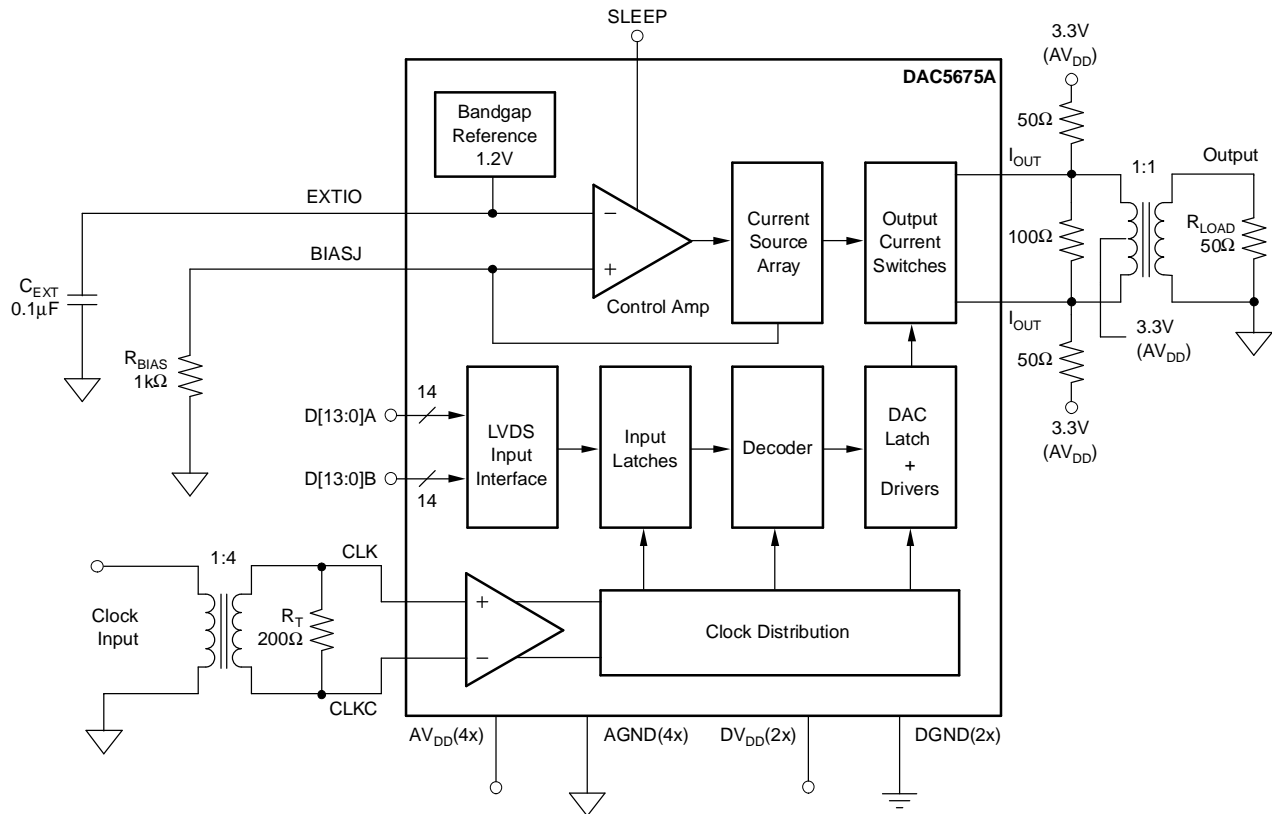


Figure 13. Application Schematic

APPLICATION INFORMATION (continued)

Digital Inputs

The DAC5675A uses a low voltage differential signaling (LVDS) bus input interface. The LVDS features a low differential voltage swing with low constant power consumption ($\approx 4\text{mA}$ per complementary data input) across frequency. The differential characteristic of LVDS allows for high-speed data transmission with low electromagnetic interference (EMI) levels. The LVDS input minimum and maximum input threshold table lists the LVDS input levels. Figure 14 shows the equivalent complementary digital input interface for the DAC5675A, valid for pins D[13:0]A and D[13:0]B. Note that the LVDS interface features internal 110Ω resistors for proper termination. Figure 2 shows the LVDS input timing measurement circuit and waveforms. A common-mode level of 1.2V and a differential input swing of 0.8V_{PP} is applied to the inputs.

Figure 15 shows a schematic of the equivalent CMOS/TTL-compatible digital inputs of the DAC5675A, valid for the SLEEP pin.

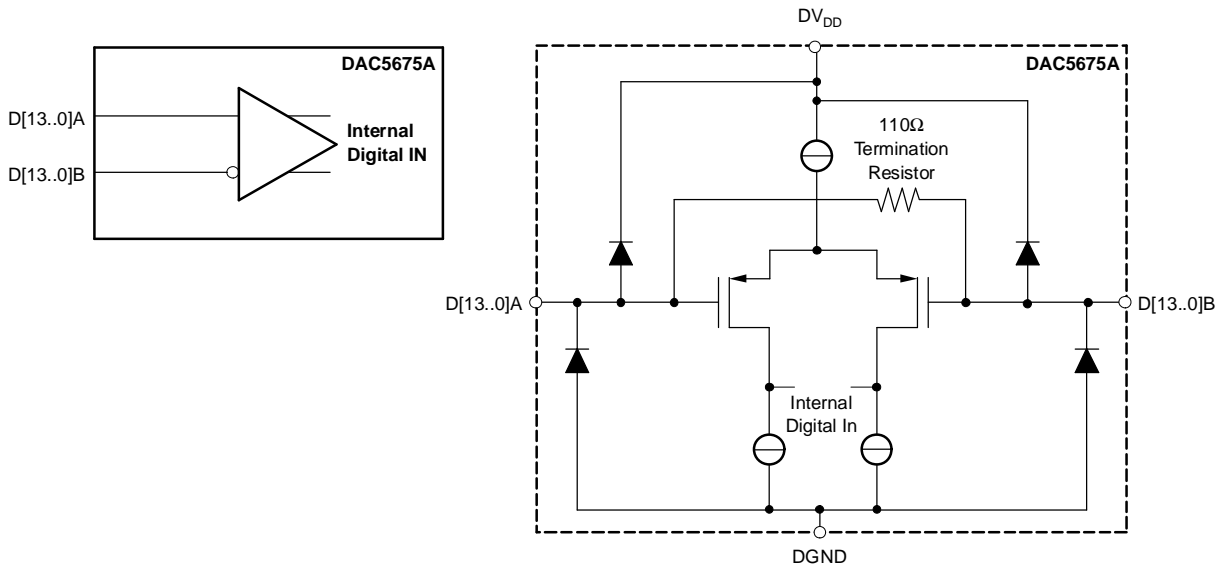


Figure 14. LVDS Digital Equivalent Input

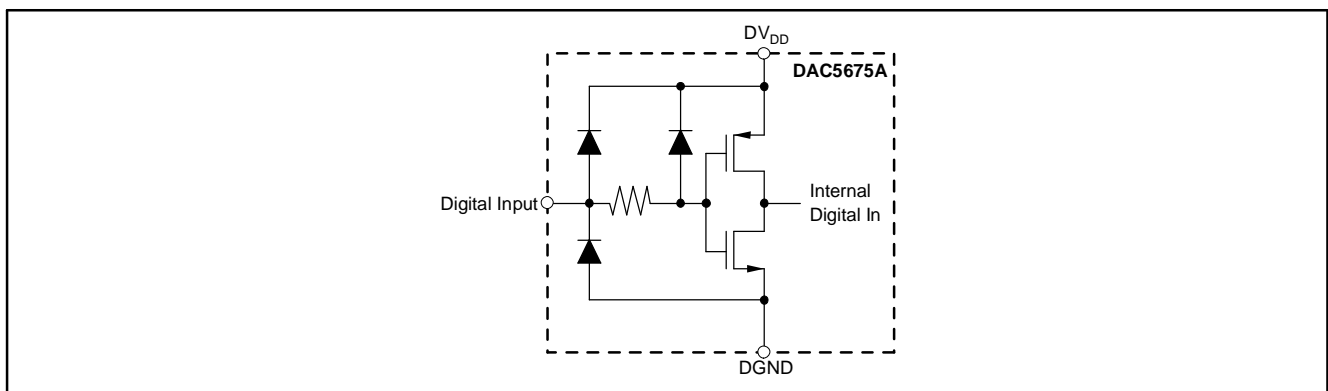


Figure 15. CMOS/TTL Digital Equivalent Input

Clock Input

The DAC5675A features differential, LVPECL compatible clock inputs (CLK, CLKC). Figure 16 shows the equivalent schematic of the clock input buffer. The internal biasing resistors set the input common-mode voltage to approximately 2V , while the input resistance is typically 670Ω . A variety of clock sources can be ac-coupled to the device, including a sine wave source (see Figure 17).

APPLICATION INFORMATION (continued)

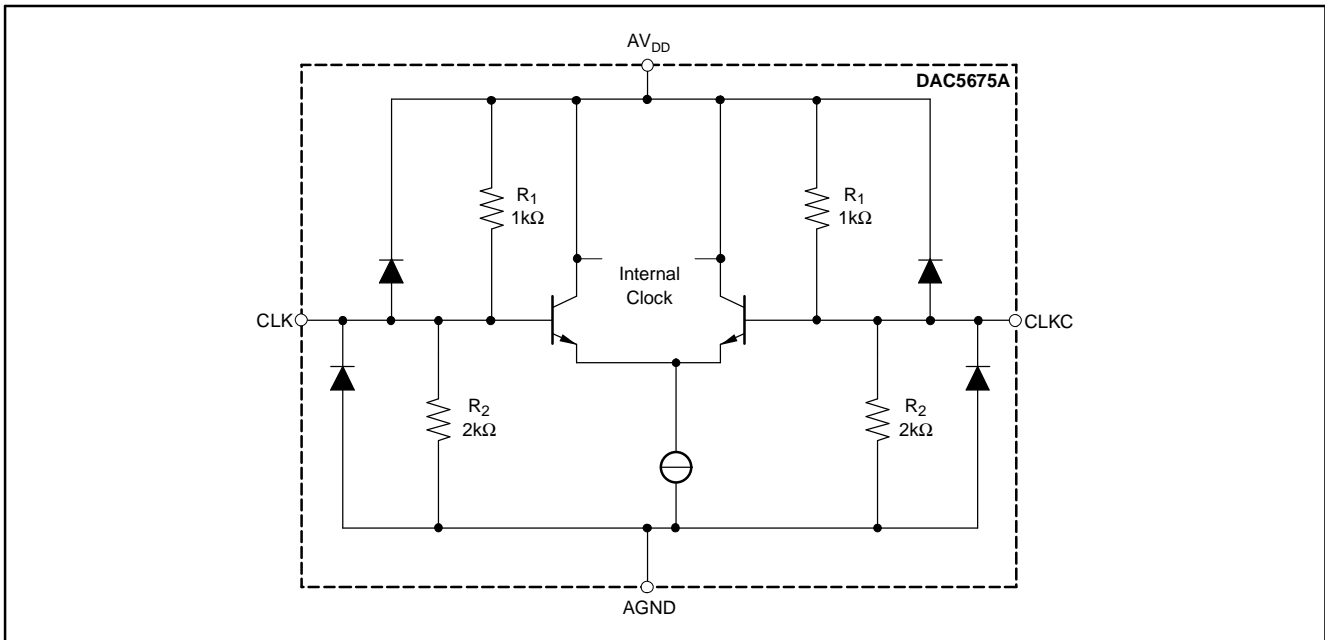


Figure 16. Clock Equivalent Input

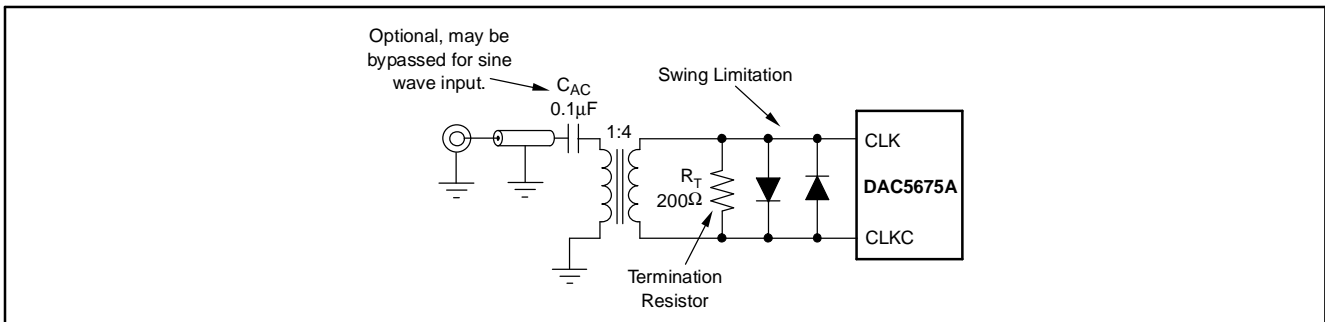


Figure 17. Driving the DAC5675A with a Single-Ended Clock Source Using a Transformer

To obtain best ac performance the DAC5675A clock input should be driven with a differential LVPECL or sine wave source as shown in [Figure 18](#) and [Figure 19](#). Here, the potential of V_{TT} should be set to the termination voltage required by the driver along with the proper termination resistors (R_T). The DAC5675A clock input can also be driven single-ended; this is shown in [Figure 20](#).

APPLICATION INFORMATION (continued)

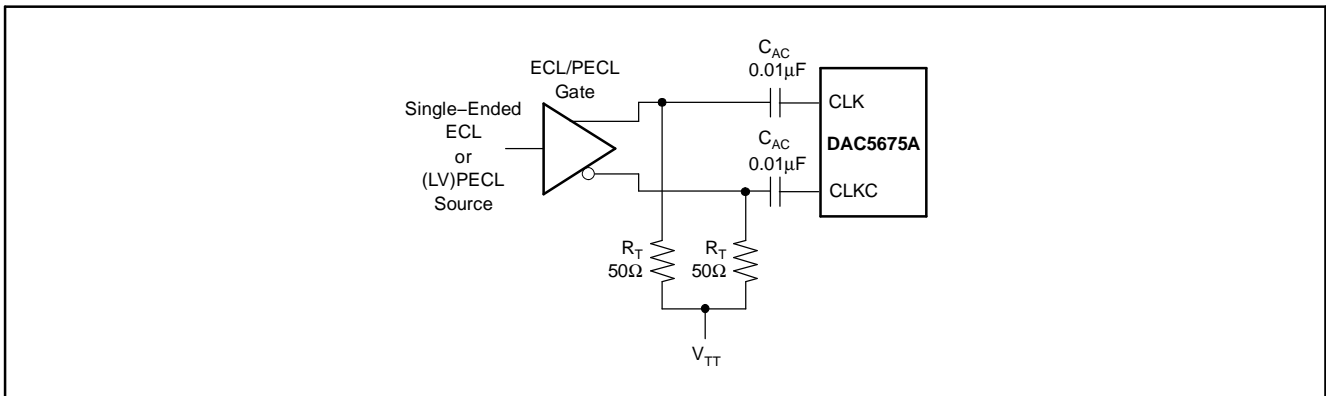


Figure 18. Driving the DAC5675A with a Single-Ended ECL/PECL Clock Source

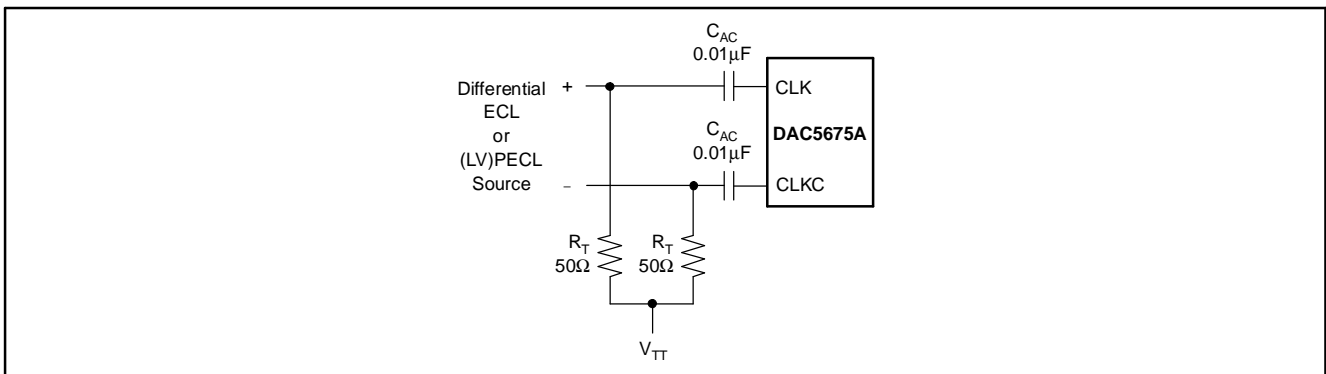


Figure 19. Driving the DAC5675A with a Differential ECL/PECL Clock Source

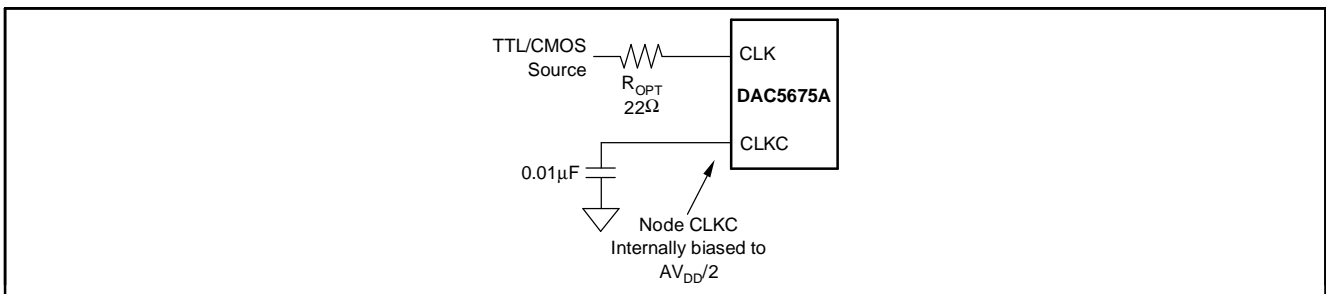


Figure 20. Driving the DAC5675A with a Single-Ended TTL/CMOS Clock Source

APPLICATION INFORMATION (continued)

Supply Inputs

The DAC5675A comprises separate analog and digital supplies, that is, AV_{DD} and DV_{DD} , respectively. These supply inputs can be set independently from 3.6V down to 3.15V.

DAC Transfer Function

The DAC5675A has a current sink output. The current flow through IOUT1 and IOUT2 is controlled by D[13:0]A and D[13:0]B. For ease of use, we denote D[13:0] as the logical bit equivalent of D[13:0]A and its complement $\overline{D[13:0]}$. The DAC5675A supports straight binary coding with D13 being the MSB and D0 the LSB. Full-scale current flows through IOUT2 when all D[13:0] inputs are set high and through IOUT1 when all D[13:0] inputs are set low. The relationship between IOUT1 and IOUT2 can be expressed as [Equation 1](#):

$$IOUT1 = IO_{(FS)} - IOUT2 \quad (1)$$

$IO_{(FS)}$ is the full-scale output current sink (2mA to 20mA). Since the output stage is a current sink, the current can only flow from AV_{DD} through the load resistors R_L into the IOUT1 and IOUT2 pins.

The output current flow in each pin driving a resistive load can be expressed as shown in [Figure 21](#), as well as in [Equation 2](#) and [Equation 3](#).

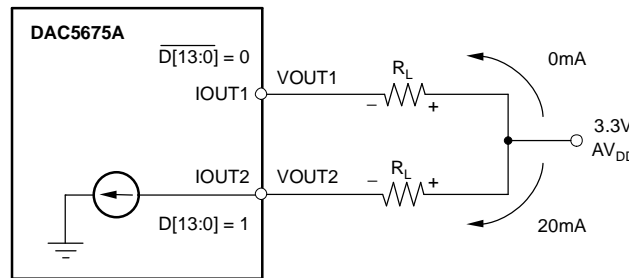


Figure 21. Relationship Between D[13:0], IOUT1 and IOUT2

$$IOUT1 = \frac{IO_{(FS)} \times (16383 - \text{CODE})}{16384} \quad (2)$$

$$IOUT2 = \frac{IO_{(FS)} \times \text{CODE}}{16384} \quad (3)$$

where CODE is the decimal representation of the DAC input word. This would translate into single-ended voltages at IOUT1 and IOUT2, as shown in [Equation 4](#) and [Equation 5](#):

$$VOUT1 = AVDD - IOUT1 \times R_L \quad (4)$$

$$VOUT2 = AVDD - IOUT2 \times R_L \quad (5)$$

Assuming that $D[13:0] = 1$ and the R_L is 50Ω , the differential voltage between pins IOUT1 and IOUT2 can be expressed as shown in [Equation 6](#) through [Equation 8](#):

$$VOUT1 = 3.3V - 0mA \times 50 = 3.3V \quad (6)$$

$$VOUT2 = AVDD - 20mA \times 50 = 2.3V \quad (7)$$

$$VDIFF = VOUT1 - VOUT2 = 1V \quad (8)$$

If $D[13:0] = 0$, then $IOUT2 = 0mA$ and $IOUT1 = 20mA$ and the differential voltage $VDIFF = -1V$.

The output currents and voltages in IOUT1 and IOUT2 are complementary. The voltage, when measured differentially, will be doubled compared to measuring each output individually. Care must be taken not to exceed the compliance voltages at the IOUT1 and IOUT2 pins in order to keep signal distortion low.

APPLICATION INFORMATION (continued)

Reference Operation

The DAC5675A has a bandgap reference and control amplifier for biasing the full-scale output current. The full-scale output current is set by applying an external resistor R_{BIAS} . The bias current I_{BIAS} through resistor R_{BIAS} is defined by the on-chip bandgap reference voltage and control amplifier. The full-scale output current equals 16 times this bias current. The full-scale output current $I_{O(FS)}$ is thus expressed as [Equation 9](#):

$$I_{O(FS)} = 16 \times I_{BIAS} = \frac{16 \times V_{EXTIO}}{R_{BIAS}} \quad (9)$$

where V_{EXTIO} is the voltage at terminal EXTIO. The bandgap reference voltage delivers a stable voltage of 1.2V. This reference can be overridden by applying an external voltage to terminal EXTIO. The bandgap reference can additionally be used for external reference operation. In such a case, an external buffer amplifier with high impedance input should be selected in order to limit the bandgap load current to less than 100nA. The capacitor C_{EXT} may be omitted. Terminal EXTIO serves as either an input or output node. The full-scale output current is adjustable from 20mA down to 2mA by varying resistor R_{BIAS} .

Analog Current Outputs

[Figure 22](#) shows a simplified schematic of the current sink array output with corresponding switches. Differential NPN switches direct the current of each individual NPN current sink to either the positive output node IOOUT1 or its complementary negative output node IOOUT2. $D[13:0]$ controls the S(N)C current switches and $\overline{D}[13:0]$ controls the S(N) current switches, as explained in the previous **DAC Transfer Function** section (see [Figure 21](#)). The output impedance is determined by the stack of the current sinks and differential switches, and is $> 300k\Omega$ in parallel with an output capacitance of 5pF.

The external output resistors are referred to the positive supply AV_{DD} .

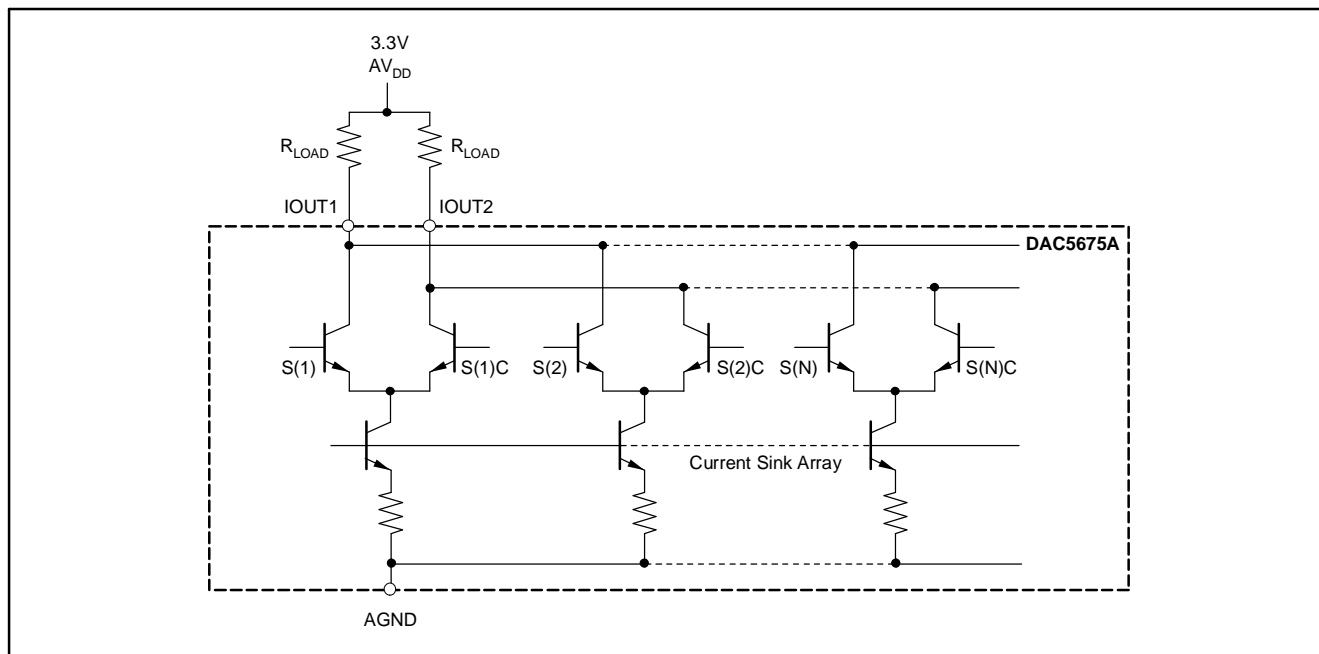


Figure 22. Equivalent Analog Current Output

The DAC5675A can easily be configured to drive a doubly-terminated 50 Ω cable using a properly selected transformer. [Figure 23](#) and [Figure 24](#) show the 1:1 and 4:1 impedance ratio configuration, respectively. These configurations provide maximum rejection of common-mode noise sources and even-order distortion components, thereby doubling the power of the DAC to the output. The center tap on the primary side of the transformer is terminated to AV_{DD} , enabling a dc current flow for both IOOUT1 and IOOUT2. Note that the ac performance of the DAC5675A is optimum and specified using a 1:1 differential transformer-coupled output.

APPLICATION INFORMATION (continued)

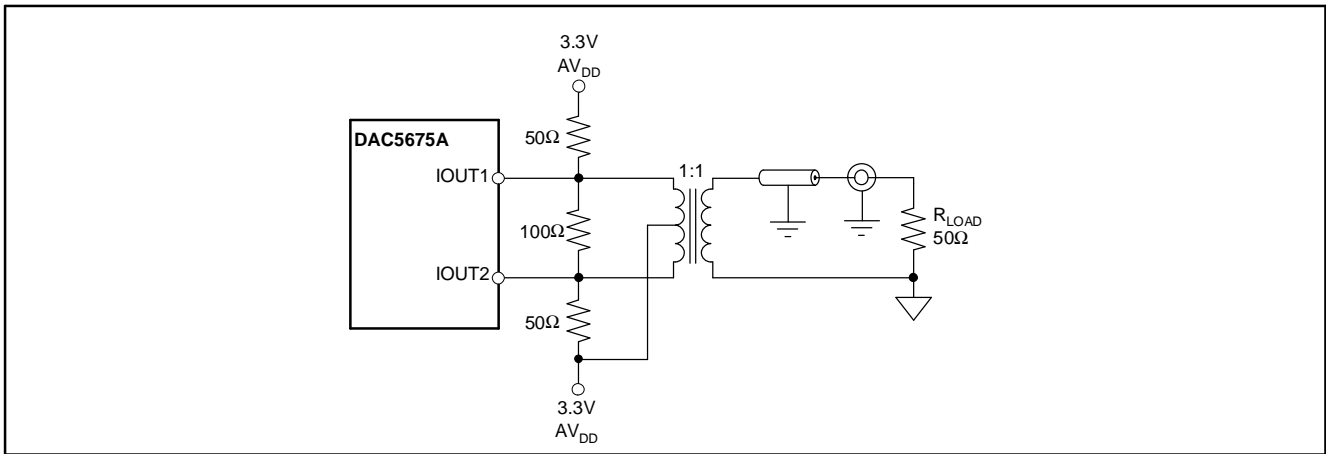


Figure 23. Driving a Doubly-Terminated 50Ω Cable Using a 1:1 Impedance Ratio Transformer

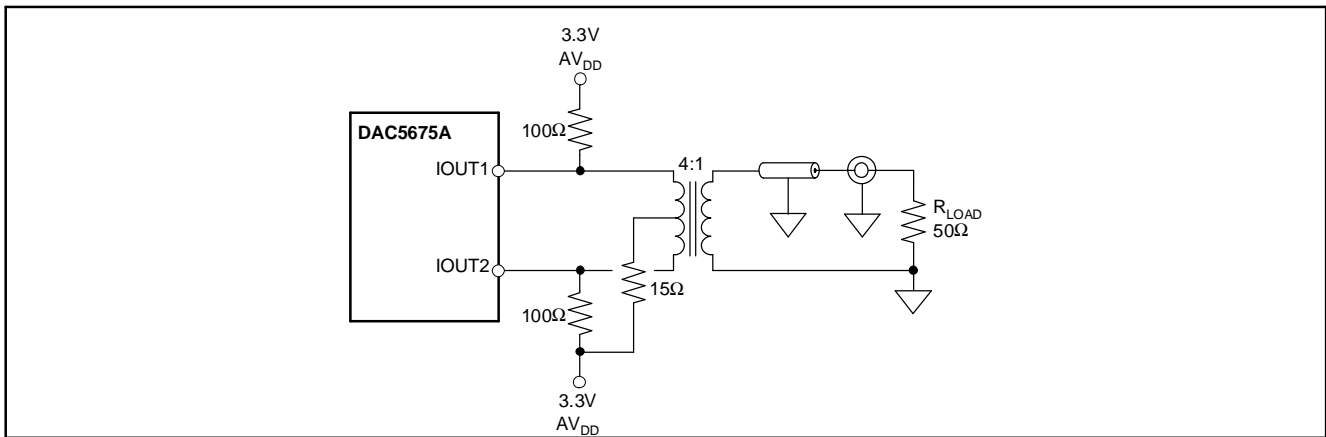


Figure 24. Driving a Doubly-Terminated 50Ω Cable Using a 4:1 Impedance Ratio Transformer

Figure 25(a) shows the typical differential output configuration with two external matched resistor loads. The nominal resistor load of 25Ω gives a differential output swing of 1V_{PP} (0.5–V_{PP} single-ended) when applying a 20mA full-scale output current. The output impedance of the DAC5675A slightly depends on the output voltage at nodes IOUT1 and IOUT2. Consequently, for optimum dc-integral nonlinearity, the configuration of Figure 25(b) should be chosen. In this current/voltage (I-V) configuration, terminal IOUT1 is kept at AV_{DD} by the inverting operational amplifier. The complementary output should be connected to AV_{DD} to provide a dc-current path for the current sources switched to IOUT1. The amplifier maximum output swing and the full-scale output current of the DAC determine the value of the feedback resistor (R_{FB}). The capacitor (C_{FB}) filters the steep edges of the DAC5675A current output, thereby reducing the operational amplifier slew-rate requirements. In this configuration, the op amp should operate at a supply voltage higher than the resistor output reference voltage AV_{DD} as a result of its positive and negative output swing around AV_{DD}. Node IOUT1 should be selected if a single-ended unipolar output is desired.

APPLICATION INFORMATION (continued)

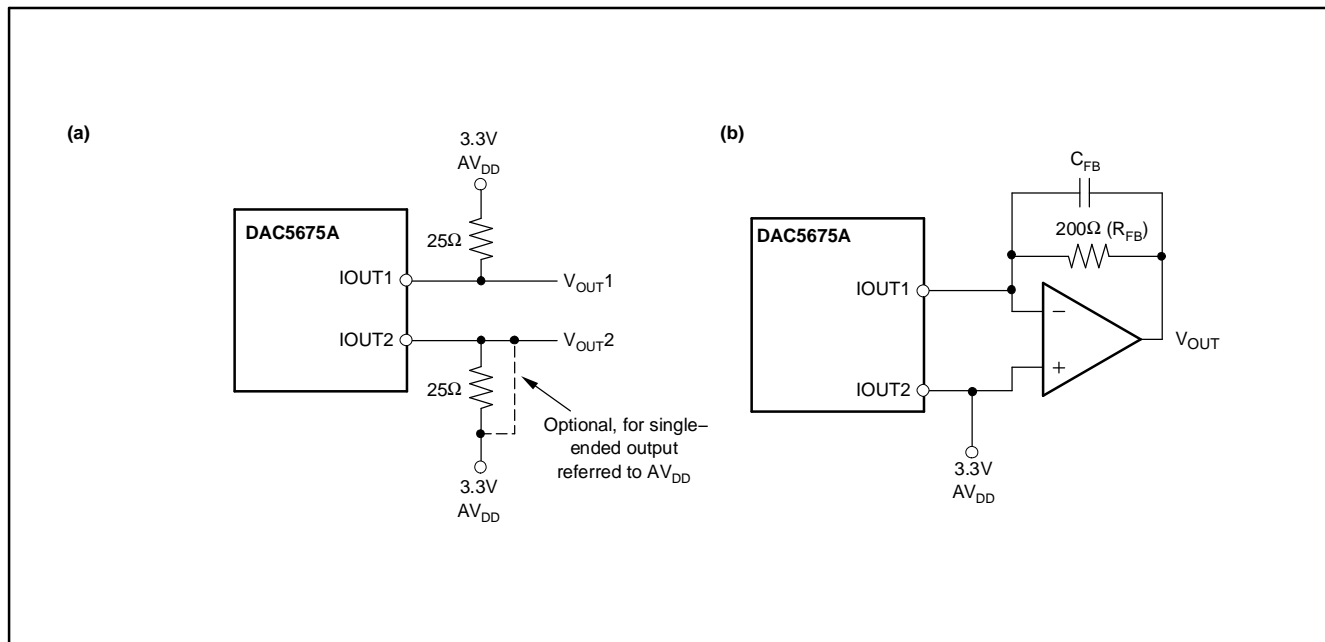


Figure 25. Output Configurations

Sleep Mode

The DAC5675A features a power-down mode that turns off the output current and reduces the supply current to approximately 6mA. The power-down mode is activated by applying a logic level 1 to the SLEEP pin pulled down internally.

Definitions

Definitions of Specifications and Terminology

Gain error is defined as the percentage error in the ratio between the measured full-scale output current and the value of $16 \times V_{(EXTIO)}/R_{BIAS}$. A $V_{(EXTIO)}$ of 1.25V is used to measure the gain error with an external reference voltage applied. With an internal reference, this error includes the deviation of $V_{(EXTIO)}$ (internal bandgap reference voltage) from the typical value of 1.25V.

Offset error is defined as the percentage error in the ratio of the differential output current (IOUT1–IOUT2) and the half of the full-scale output current for input code 8192.

THD is the ratio of the rms sum of the first six harmonic components to the rms value of the fundamental output signal.

SNR is the ratio of the rms value of the fundamental output signal to the rms sum of all other spectral components below the Nyquist frequency, including noise, but excluding the first six harmonics and dc.

SINAD is the ratio of the rms value of the fundamental output signal to the rms sum of all other spectral components below the Nyquist frequency, including noise and harmonics, but excluding dc.

ACPR or adjacent channel power ratio is defined for a 3.84Mcps 3GPP W-CDMA input signal measured in a 3.84MHz bandwidth at a 5MHz offset from the carrier with a 12dB peak-to-average ratio.

APSSR or analog power supply ratio is the percentage variation of full-scale output current versus a 5% variation of the analog power supply AV_{DD} from the nominal. This is a dc measurement.

DPSSR or digital power supply ratio is the percentage variation of full-scale output current versus a 5% variation of the digital power supply DV_{DD} from the nominal. This is a dc measurement.

PACKAGING INFORMATION

Orderable Device	Status ⁽¹⁾	Package Type	Package Drawing	Pins	Package Qty	Eco Plan ⁽²⁾	Lead/Ball Finish	MSL Peak Temp ⁽³⁾
DAC5675AIPHP	ACTIVE	HTQFP	PHP	48	250	Green (RoHS & no Sb/Br)	CU NIPDAU	Level-3-260C-168 HR
DAC5675AIPHPG4	ACTIVE	HTQFP	PHP	48	250	Green (RoHS & no Sb/Br)	CU NIPDAU	Level-3-260C-168 HR
DAC5675AIPHPR	ACTIVE	HTQFP	PHP	48	1000	Green (RoHS & no Sb/Br)	CU NIPDAU	Level-3-260C-168 HR
DAC5675AIPHPRG4	ACTIVE	HTQFP	PHP	48	1000	Green (RoHS & no Sb/Br)	CU NIPDAU	Level-3-260C-168 HR

⁽¹⁾ The marketing status values are defined as follows:

ACTIVE: Product device recommended for new designs.

LIFEBUY: TI has announced that the device will be discontinued, and a lifetime-buy period is in effect.

NRND: Not recommended for new designs. Device is in production to support existing customers, but TI does not recommend using this part in a new design.

PREVIEW: Device has been announced but is not in production. Samples may or may not be available.

OBSOLETE: TI has discontinued the production of the device.

⁽²⁾ Eco Plan - The planned eco-friendly classification: Pb-Free (RoHS), Pb-Free (RoHS Exempt), or Green (RoHS & no Sb/Br) - please check <http://www.ti.com/productcontent> for the latest availability information and additional product content details.

TBD: The Pb-Free/Green conversion plan has not been defined.

Pb-Free (RoHS): TI's terms "Lead-Free" or "Pb-Free" mean semiconductor products that are compatible with the current RoHS requirements for all 6 substances, including the requirement that lead not exceed 0.1% by weight in homogeneous materials. Where designed to be soldered at high temperatures, TI Pb-Free products are suitable for use in specified lead-free processes.

Pb-Free (RoHS Exempt): This component has a RoHS exemption for either 1) lead-based flip-chip solder bumps used between the die and package, or 2) lead-based die adhesive used between the die and leadframe. The component is otherwise considered Pb-Free (RoHS compatible) as defined above.

Green (RoHS & no Sb/Br): TI defines "Green" to mean Pb-Free (RoHS compatible), and free of Bromine (Br) and Antimony (Sb) based flame retardants (Br or Sb do not exceed 0.1% by weight in homogeneous material)

⁽³⁾ MSL, Peak Temp. -- The Moisture Sensitivity Level rating according to the JEDEC industry standard classifications, and peak solder temperature.

Important Information and Disclaimer:The information provided on this page represents TI's knowledge and belief as of the date that it is provided. TI bases its knowledge and belief on information provided by third parties, and makes no representation or warranty as to the accuracy of such information. Efforts are underway to better integrate information from third parties. TI has taken and continues to take reasonable steps to provide representative and accurate information but may not have conducted destructive testing or chemical analysis on incoming materials and chemicals. TI and TI suppliers consider certain information to be proprietary, and thus CAS numbers and other limited information may not be available for release.

In no event shall TI's liability arising out of such information exceed the total purchase price of the TI part(s) at issue in this document sold by TI to Customer on an annual basis.

OTHER QUALIFIED VERSIONS OF DAC5675A :

- Space: [DAC5675A-SP](#)

NOTE: Qualified Version Definitions:

- Space - Radiation tolerant, ceramic packaging and qualified for use in Space-based application

TAPE AND REEL INFORMATION



QUADRANT ASSIGNMENTS FOR PIN 1 ORIENTATION IN TAPE



*All dimensions are nominal

Device	Package Type	Package Drawing	Pins	SPQ	Reel Diameter (mm)	Reel Width W1 (mm)	A0 (mm)	B0 (mm)	K0 (mm)	P1 (mm)	W (mm)	Pin1 Quadrant
DAC5675AIPHPR	HTQFP	PHP	48	1000	330.0	16.4	9.6	9.6	1.5	12.0	16.0	Q2

TAPE AND REEL BOX DIMENSIONS

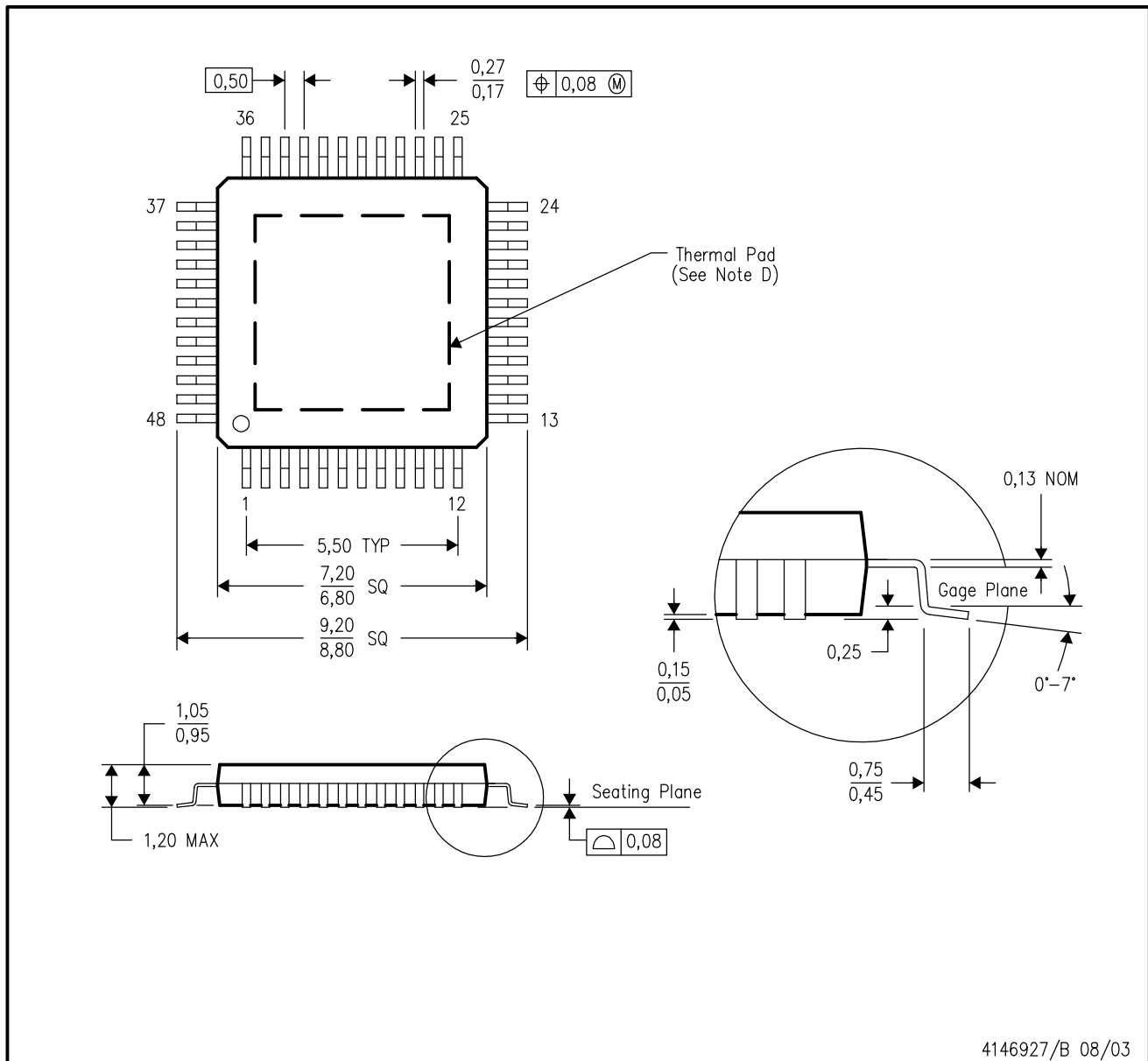


*All dimensions are nominal

Device	Package Type	Package Drawing	Pins	SPQ	Length (mm)	Width (mm)	Height (mm)
DAC5675AIPHPR	HTQFP	PHP	48	1000	346.0	346.0	33.0

PHP (S-PQFP-G48)

PowerPAD™ PLASTIC QUAD FLATPACK



- NOTES:
- All linear dimensions are in millimeters.
 - This drawing is subject to change without notice.
 - Body dimensions do not include mold flash or protrusion.
 - This package is designed to be soldered to a thermal pad on the board. Refer to Technical Brief, PowerPad Thermally Enhanced Package, Texas Instruments Literature No. SLMA002 for information regarding recommended board layout. This document is available at www.ti.com <<http://www.ti.com>>.
 - Falls within JEDEC MS-026

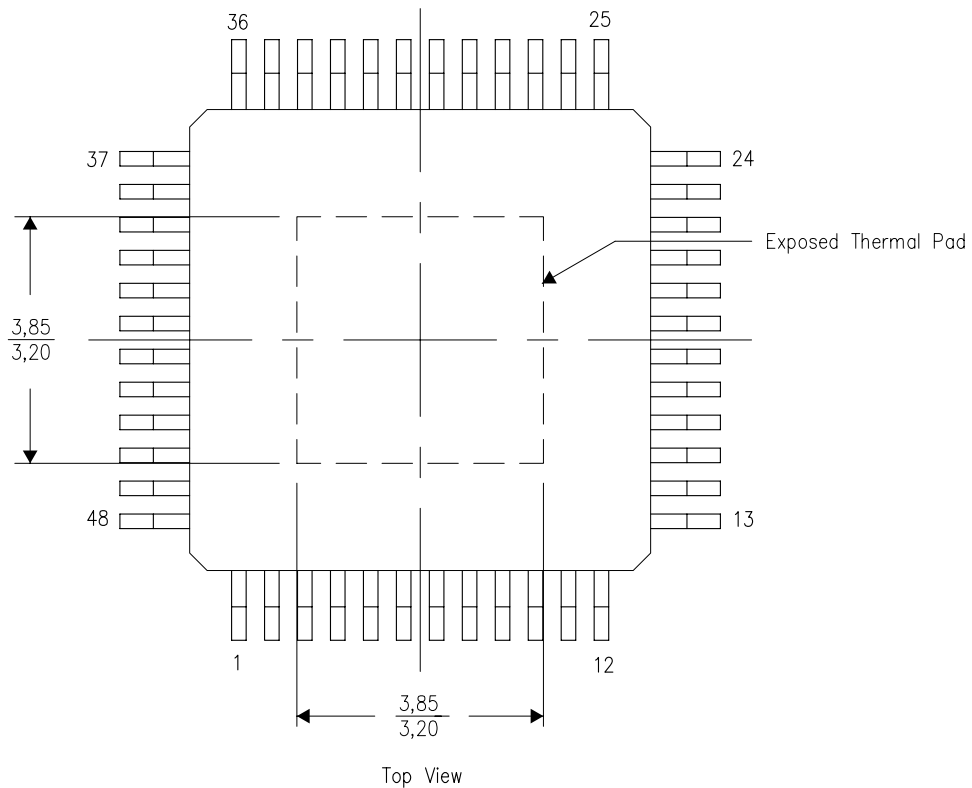
PowerPAD is a trademark of Texas Instruments.

THERMAL INFORMATION

This PowerPAD™ package incorporates an exposed thermal pad that is designed to be attached to a printed circuit board (PCB). The thermal pad must be soldered directly to the PCB. After soldering, the PCB can be used as a heatsink. In addition, through the use of thermal vias, the thermal pad can be attached directly to the appropriate copper plane shown in the electrical schematic for the device, or alternatively, can be attached to a special heatsink structure designed into the PCB. This design optimizes the heat transfer from the integrated circuit (IC).

For additional information on the PowerPAD package and how to take advantage of its heat dissipating abilities, refer to Technical Brief, PowerPAD Thermally Enhanced Package, Texas Instruments Literature No. SLMA002 and Application Brief, PowerPAD Made Easy, Texas Instruments Literature No. SLMA004. Both documents are available at www.ti.com.

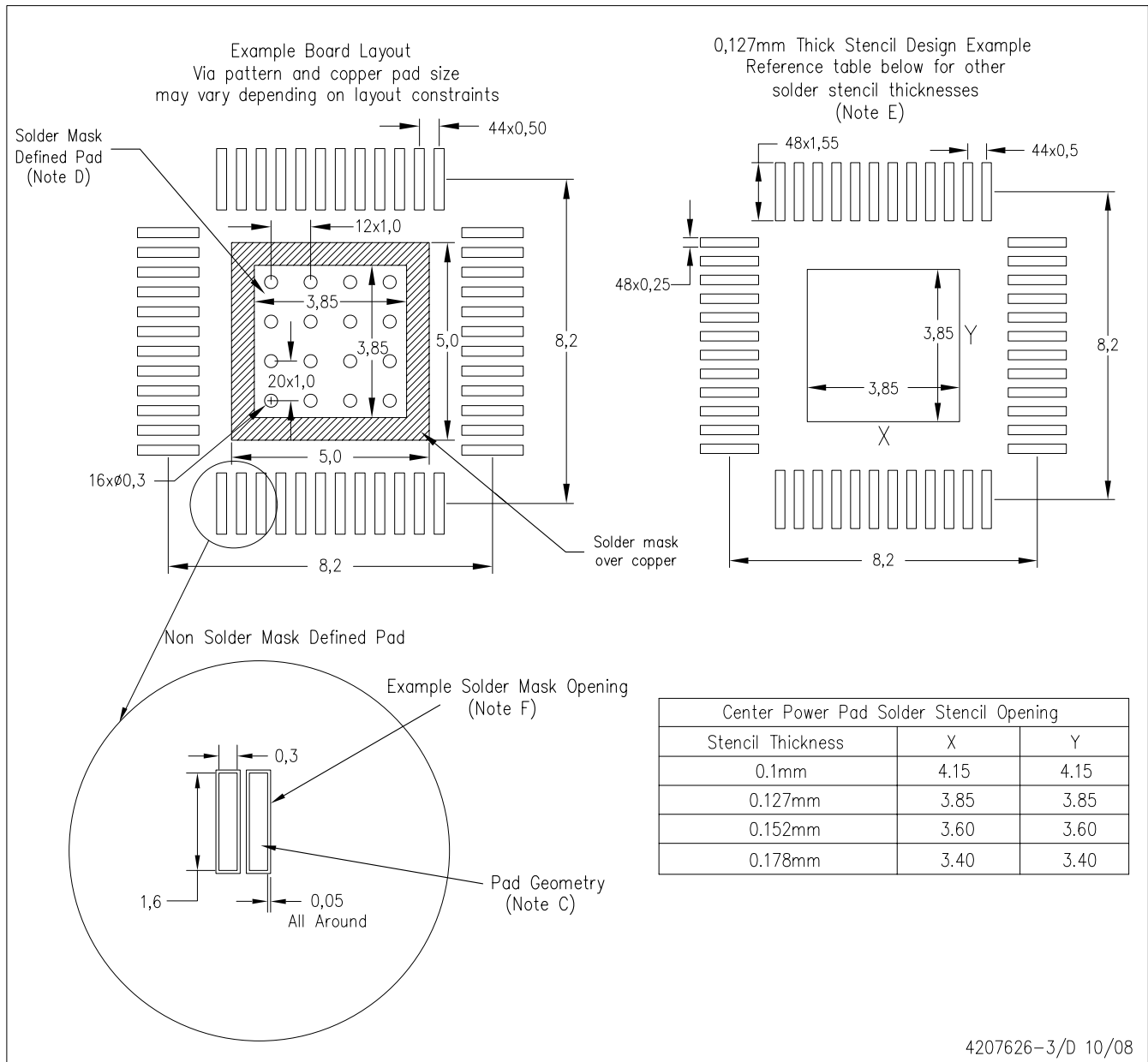
The exposed thermal pad dimensions for this package are shown in the following illustration.



NOTE: All linear dimensions are in millimeters

Exposed Thermal Pad Dimensions

PHP (R-PDSO-G48) PowerPAD™



4207626-3/D 10/08

- NOTES:
- A. All linear dimensions are in millimeters.
 - B. This drawing is subject to change without notice.
 - C. Publication IPC-7351 is recommended for alternate designs.
 - D. This package is designed to be soldered to a thermal pad on the board. Refer to Technical Brief, PowerPAD Thermally Enhanced Package, Texas Instruments Literature No. SLMA002, SLMA004, and also the Product Data Sheets for specific thermal information, via requirements, and recommended board layout. These documents are available at www.ti.com <<http://www.ti.com>>.
 - E. Laser cutting apertures with trapezoidal walls and also rounding corners will offer better paste release. Customers should contact their board assembly site for stencil design recommendations. Refer to IPC 7525 for stencil design considerations.
 - F. Customers should contact their board fabrication site for recommended solder mask tolerances and via tenting options for vias placed in the thermal pad.

IMPORTANT NOTICE

Texas Instruments Incorporated and its subsidiaries (TI) reserve the right to make corrections, modifications, enhancements, improvements, and other changes to its products and services at any time and to discontinue any product or service without notice. Customers should obtain the latest relevant information before placing orders and should verify that such information is current and complete. All products are sold subject to TI's terms and conditions of sale supplied at the time of order acknowledgment.

TI warrants performance of its hardware products to the specifications applicable at the time of sale in accordance with TI's standard warranty. Testing and other quality control techniques are used to the extent TI deems necessary to support this warranty. Except where mandated by government requirements, testing of all parameters of each product is not necessarily performed.

TI assumes no liability for applications assistance or customer product design. Customers are responsible for their products and applications using TI components. To minimize the risks associated with customer products and applications, customers should provide adequate design and operating safeguards.

TI does not warrant or represent that any license, either express or implied, is granted under any TI patent right, copyright, mask work right, or other TI intellectual property right relating to any combination, machine, or process in which TI products or services are used. Information published by TI regarding third-party products or services does not constitute a license from TI to use such products or services or a warranty or endorsement thereof. Use of such information may require a license from a third party under the patents or other intellectual property of the third party, or a license from TI under the patents or other intellectual property of TI.

Reproduction of TI information in TI data books or data sheets is permissible only if reproduction is without alteration and is accompanied by all associated warranties, conditions, limitations, and notices. Reproduction of this information with alteration is an unfair and deceptive business practice. TI is not responsible or liable for such altered documentation. Information of third parties may be subject to additional restrictions.

Resale of TI products or services with statements different from or beyond the parameters stated by TI for that product or service voids all express and any implied warranties for the associated TI product or service and is an unfair and deceptive business practice. TI is not responsible or liable for any such statements.

TI products are not authorized for use in safety-critical applications (such as life support) where a failure of the TI product would reasonably be expected to cause severe personal injury or death, unless officers of the parties have executed an agreement specifically governing such use. Buyers represent that they have all necessary expertise in the safety and regulatory ramifications of their applications, and acknowledge and agree that they are solely responsible for all legal, regulatory and safety-related requirements concerning their products and any use of TI products in such safety-critical applications, notwithstanding any applications-related information or support that may be provided by TI. Further, Buyers must fully indemnify TI and its representatives against any damages arising out of the use of TI products in such safety-critical applications.

TI products are neither designed nor intended for use in military/aerospace applications or environments unless the TI products are specifically designated by TI as military-grade or "enhanced plastic." Only products designated by TI as military-grade meet military specifications. Buyers acknowledge and agree that any such use of TI products which TI has not designated as military-grade is solely at the Buyer's risk, and that they are solely responsible for compliance with all legal and regulatory requirements in connection with such use.

TI products are neither designed nor intended for use in automotive applications or environments unless the specific TI products are designated by TI as compliant with ISO/TS 16949 requirements. Buyers acknowledge and agree that, if they use any non-designated products in automotive applications, TI will not be responsible for any failure to meet such requirements.

Following are URLs where you can obtain information on other Texas Instruments products and application solutions:

Products

Amplifiers	amplifier.ti.com
Data Converters	dataconverter.ti.com
DSP	dsp.ti.com
Clocks and Timers	www.ti.com/clocks
Interface	interface.ti.com
Logic	logic.ti.com
Power Mgmt	power.ti.com
Microcontrollers	microcontroller.ti.com
RFID	www.ti-rfid.com
RF/IF and ZigBee® Solutions	www.ti.com/lprf

Applications

Audio	www.ti.com/audio
Automotive	www.ti.com/automotive
Broadband	www.ti.com/broadband
Digital Control	www.ti.com/digitalcontrol
Medical	www.ti.com/medical
Military	www.ti.com/military
Optical Networking	www.ti.com/opticalnetwork
Security	www.ti.com/security
Telephony	www.ti.com/telephony
Video & Imaging	www.ti.com/video
Wireless	www.ti.com/wireless

Mailing Address: Texas Instruments, Post Office Box 655303, Dallas, Texas 75265
Copyright © 2008, Texas Instruments Incorporated