



8-Channel/Dual 4-Channel 72V Analog Multiplexers

MAX14752/MAX14753

General Description

The MAX14752/MAX14753 are 8-to-1 and dual 4-to-1 high-voltage analog multiplexers. Both devices feature 60Ω (typ) on-resistance with 0.03Ω (typ) on-resistance flatness. These low on-resistance multiplexers conduct equally well in either direction. Flexible logic levels for the channel-select interface are defined by the EN input.

The MAX14752 is a 8-to-1 multiplexer and MAX14753 is a dual 4-to-1 multiplexer. Both devices operate with dual supplies of ±10V to ±36V, or a single supply of +20V to +72V.

The MAX14752/MAX14753 are available in a 16-pin TSSOP package and are pin compatible with the industry-standard DG408/DG409. Both the MAX14752/MAX14753 are specified over the extended -40°C to +85°C operating temperature range.

Applications

Programmable-Logic Controllers
Environment Control Systems
ATE Systems
Medical Monitoring Systems
Automotive

Pin Configurations appear at end of data sheet.

Features

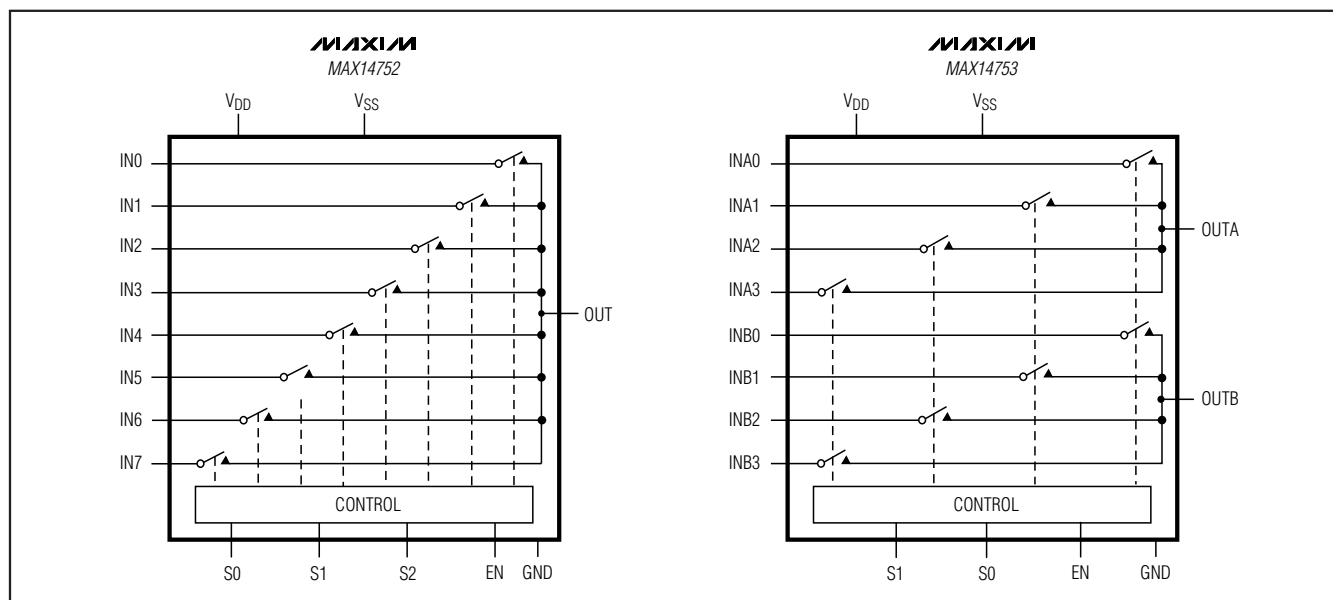
- ◆ Wide Dual Power-Supply Range ±36V (max)
- ◆ Wide Single Power-Supply Range +72V (max)
- ◆ Low On-Resistance 60Ω (typ)
- ◆ RON Flatness Over Common-Mode Voltage 0.03Ω (typ)
- ◆ Low-Input (20nA) On-Leakage Current (max)
- ◆ EN Voltage Defines Logic Level of S0, S1, and S2
- ◆ Low I_{DD} (max) Supply Current in Disable Mode 25μA (max)
- ◆ Overvoltage/Undervoltage Clamp Through Protection Diodes
- ◆ Break-Before-Make Operation
- ◆ Pin Compatible with Industry-Standard DG408/DG409

Ordering Information

| PART | TEMP RANGE | PIN-PACKAGE |
|--------------|----------------|-------------|
| MAX14752EUE+ | -40°C to +85°C | 16 TSSOP |
| MAX14753EUE+ | -40°C to +85°C | 16 TSSOP |

+ Denotes a lead-free/RoHS-compliant package.

Functional Diagrams



8-Channel/Dual 4-Channel 72V Analog Multiplexers

ABSOLUTE MAXIMUM RATINGS

| | |
|--|---|
| V _{DD} to V _{SS} | -0.3V to +72V |
| GND to V _{SS} | -0.3V to V _{DD} |
| EN, S0, S1, S2 to GND | -0.3V to the lesser of (+12V and V _{DD} + 0.3V) |
| IN ₋ , INA ₋ , INB ₋ , OUT, OUTA, OUTB to V _{SS} | -2V to (V _{DD} - V _{SS} + 2V) or 100mA (whichever occurs first) |
| Signal Slew Rate of IN ₋ , INA ₋ , INB ₋ , OUT, OUTA, OUTB | see SOA in Figure 11 |
| Continuous Current into IN ₋ , INA ₋ , INB ₋ , OUT, OUTA, OUTB | 100mA |

| | |
|--|-----------------|
| Continuous Power Dissipation (T _A = +70°C) 16-Pin TSSOP (derate 11.1mW/°C above +70°C) | 890mW |
| Junction-to-Ambient Thermal Resistance (θ _{JA}) (Note 1) 16-Pin TSSOP | 90°C/W |
| Junction-to-Case Thermal Resistance (θ _{JC}) (Note 1) 16-Pin TSSOP | 27°C/W |
| Maximum Operating Temperature | -40°C to +125°C |
| Junction Temperature | +150°C |
| Storage Temperature Range | -65°C to +150°C |
| Lead Temperature (soldering, 10s) | +300°C |

Note 1: Package thermal resistances were obtained using the method described in JEDEC specification JESD51-7, using a four-layer board. For detailed information on package thermal considerations, refer to www.maxim-ic.com/thermal-tutorial.

Stresses beyond those listed under "Absolute Maximum Ratings" may cause permanent damage to the device. These are stress ratings only, and functional operation of the device at these or any other conditions beyond those indicated in the operational sections of the specifications is not implied. Exposure to absolute maximum rating conditions for extended periods may affect device reliability.

DC ELECTRICAL CHARACTERISTICS—DUAL SUPPLIES

(V_{DD} = +35V, V_{SS} = -35V, V_{GND} = 0, V_{EN} = +3.3V, T_A = -40°C to +85°C, unless otherwise noted. Typical values are at T_A = +25°C.)

| PARAMETER | SYMBOL | CONDITIONS | MIN | TYP | MAX | UNITS |
|--|--|---|-----------------|------|-----------------|-------|
| POWER SUPPLY | | | | | | |
| V _{DD} Supply Voltage Range | V _{DD} | | +10 | | +36 | V |
| V _{SS} Supply Voltage Range | V _{SS} | | -10 | | -36 | V |
| V _{DD} Supply Current | I _{DD(OFF)} | V _{EN} = V _{S-} = 0, V _{IN-} = V _{INA-} = V _{INB-} = +20V | | 12 | 25 | μA |
| | I _{DD(ON)} | V _{EN} = +5V, V _{S-} = 0 or V _{EN} , V _{IN-} = V _{INA-} = V _{INB-} = +20V | | 270 | 600 | mA |
| V _{SS} Supply Current | I _{SS(OFF)} | V _{EN} = V _{S-} = 0, V _{IN-} = V _{INA-} = V _{INB-} = +20V | | 11 | 25 | μA |
| | I _{SS(ON)} | V _{EN} = +5V, V _{S-} = 0 or V _{EN} , V _{IN-} = V _{INA-} = V _{INB-} = +20V | | 260 | 600 | mA |
| ANALOG MUX | | | | | | |
| Analog Signal Range | V _{IN} , V _{INA-} , V _{INB-} , V _{OUT} , V _{OUTA} , V _{OUTB} | | V _{SS} | | V _{DD} | V |
| Current Through Multiplexer | I _{IN} , I _{INA-} , I _{INB-} | V _{IN-} , V _{INA-} , V _{INB-} = ±20V | -5 | | +5 | mA |
| On-Resistance | R _{ON} | I _{IN-} , I _{INA-} , I _{INB-} = 5mA; V _{IN-} , V _{INA-} , V _{INB-} , V _{OUT} , V _{OUTA} , V _{OUTB} = ±20V, Figure 1 | | 60 | 130 | Ω |
| On-Resistance Matching Between Channels | ΔR _{ON} | I _{IN-} , I _{INA-} , I _{INB-} = 5mA, V _{IN-} , V _{INA-} , V _{INB-} = ±20V, 0 | | 0.5 | | Ω |
| On-Resistance Flatness | R _{FLAT-(ON)} | I _{IN-} , I _{INA-} , I _{INB-} = 5mA, V _{IN-} , V _{INA-} , V _{INB-} , V _{OUT} , V _{OUTA} , V _{OUTB} = ±20V | | 0.03 | | Ω |
| Output On-Leakage Current | I _{OUT(ON)} | MAX14752: V _{OUT} , V _{OUTA} , V _{OUTB} = ±20V, V _{IN-} , V _{INA-} , V _{INB-} = unconnected, Figure 2 | -20 | | +20 | nA |
| | | MAX14753: V _{OUT} , V _{OUTA} , V _{OUTB} = ±20V, V _{IN-} , V _{INA-} , V _{INB-} = unconnected, Figure 2 | -10 | | +10 | |

8-Channel/Dual 4-Channel 72V Analog Multiplexers

MAX14752/MAX14753

DC ELECTRICAL CHARACTERISTICS—DUAL SUPPLIES (continued)

($V_{DD} = +35V$, $V_{SS} = -35V$, $V_{GND} = 0$, $V_{EN} = +3.3V$, $T_A = -40^{\circ}C$ to $+85^{\circ}C$, unless otherwise noted. Typical values are at $T_A = +25^{\circ}C$.)

| PARAMETER | SYMBOL | CONDITIONS | MIN | TYP | MAX | UNITS |
|--------------------------------------|----------------------|---|----------------------|--------|----------------------|---------|
| Output Off-Leakage Current | $I_{OUT(OFF)}$ | MAX14752: V_{OUT} , V_{OUTA} , $V_{OUTB} = \pm 20V$, $V_{IN_}$, $V_{INA_}$, $V_{INB_} = -20V$, Figure 3 | -20 | | +20 | nA |
| | | MAX14753: V_{OUT} , V_{OUTA} , $V_{OUTB} = \pm 40V$, $V_{IN_}$, $V_{INA_}$, $V_{INB_} = -40V$, Figure 3 | -10 | | +10 | |
| Input Off-Leakage Current | $I_{IN(OFF)}$ | V_{OUT} , V_{OUTA} , $V_{OUTB} = \pm 20V$, $V_{IN_}$, $V_{INA_}$, $V_{INB_} = \pm 20V$, Figure 3 | -5 | | +5 | nA |
| LOGIC (EN, S0, S1, S2) | | | | | | |
| EN Input Voltage Low | V_{EN_IL} | | | | 0.8 | V |
| EN Input Voltage High | V_{EN_IH} | | 2.1 | | | V |
| EN, S_ Input Voltage Range | V_{EN} , $V_{S_}$ | | | | 11 | V |
| EN Input Current | $I_{EN_IH(DC)}$ | $V_{EN} = +11V$, $V_{S0} = V_{S1} = V_{S2} = (0.25 \times V_{EN})$ or $(0.75 \times V_{EN})$ | | | 0.4 | mA |
| S0, S1, S2 Input Voltage Low | V_{IL} | | | | $0.25 \times V_{EN}$ | V |
| S0, S1, S2 Input Voltage High | V_{IH} | | $0.75 \times V_{EN}$ | | | V |
| Input Capacitance | C_{IN} | | | 23 | | pF |
| DYNAMIC CHARACTERISTICS | | | | | | |
| Enable Turn-On Time | t_{ON} | V_{IN0} , $V_{INA0} = \pm 10V$, $R_L = 10k\Omega$, Figure 4 | | 1 | 25 | μs |
| Enable Turn-Off Time | t_{OFF} | V_{IN0} , $V_{INA0} = \pm 10V$, $R_L = 10k\Omega$, Figure 4 | | 0.8 | 2 | μs |
| Transition Time | t_{TRANS} | V_{IN0} , $V_{INA0} = \pm 10V$, $R_L = 10k\Omega$, Figure 5 | | 10 | | μs |
| Break-Before-Make Time Delay | t_{BBM} | $V_{IN_}$, $V_{INA_}$, $V_{INB_} = \pm 10V$, $R_L = 10k\Omega$, Figure 6 | | 10 | | μs |
| Frequency Response | BW | $R_S = 50\Omega$, $R_L = 1k\Omega$, Figure 7 | | | 20 | MHz |
| Off-Isolation | V_{ISO} | $V_{IN_}$, $V_{INA_}$, $V_{INB_} = 1V_{RMS}$, $f = 100kHz$, $R_L = 50\Omega$, $C_L = 15pF$, Figure 8 | | 65 | | dB |
| Crosstalk | V_{CT} | $R_S = R_L = 50\Omega$, Figure 9 | | 62 | | dB |
| Total Harmonic Distortion Plus Noise | THD+N | $R_S = R_L = 1k\Omega$, $f = 20Hz$ to $20kHz$ | | 0.0014 | | % |
| Charge Injection | Q | $V_{IN_}$, $V_{INA_}$, $V_{INB_} = GND$, $C_L = 1nF$, Figure 10 | | 200 | | pC |

8-Channel/Dual 4-Channel 72V Analog Multiplexers

DC ELECTRICAL CHARACTERISTICS—SINGLE SUPPLY

($V_{DD} = +70V$, $V_{SS} = V_{GND} = 0$, $V_{EN} = +3.3V$, $T_A = -40^\circ C$ to $+85^\circ C$, unless otherwise noted. Typical values are at $T_A = +25^\circ C$.) (Note 2)

| PARAMETER | SYMBOL | CONDITIONS | MIN | TYP | MAX | UNITS |
|-------------------------------------|--|--|-----|-----|-----|----------|
| ANALOG MUX | | | | | | |
| On-Resistance | R_{ON} | $I_{IN_} = 5mA$, $V_{IN_}$, $V_{OUT} = +20V$ (MAX14752), $V_{INA_}$, V_{OUTA} , $V_{INB_}$, $V_{OUTB} = +20V$ (MAX14753), Figure 1 | | 60 | 130 | Ω |
| OUT, OUTA, OUTB Off-Leakage Current | $I_{OUT(OFF)}$, $I_{OUTA(OFF)}$, $I_{OUTB(OFF)}$ | MAX14752: $V_{OUT} = +40V$, $V_{IN_} = V_{INA_} =$ $V_{INB_} = +10V$, Figure 3 | -20 | | +20 | nA |
| | | MAX14753: $V_{OUT} = +40V$, $V_{IN_} = V_{INA_} =$ $V_{INB_} = +10V$, Figure 3 | -10 | | +10 | |

Note 2: All parameters in single supply operation are expected to be the same as in dual supplies operation.

8-Channel/Dual 4-Channel 72V Analog Multiplexers

Test Circuits/Timing Diagrams/Truth Tables

MAX14752/MAX14753

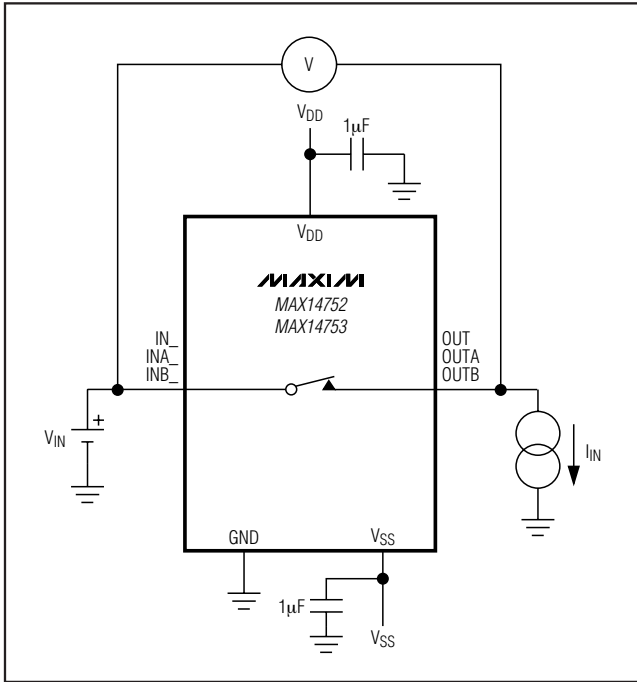


Figure 1. On-Resistance

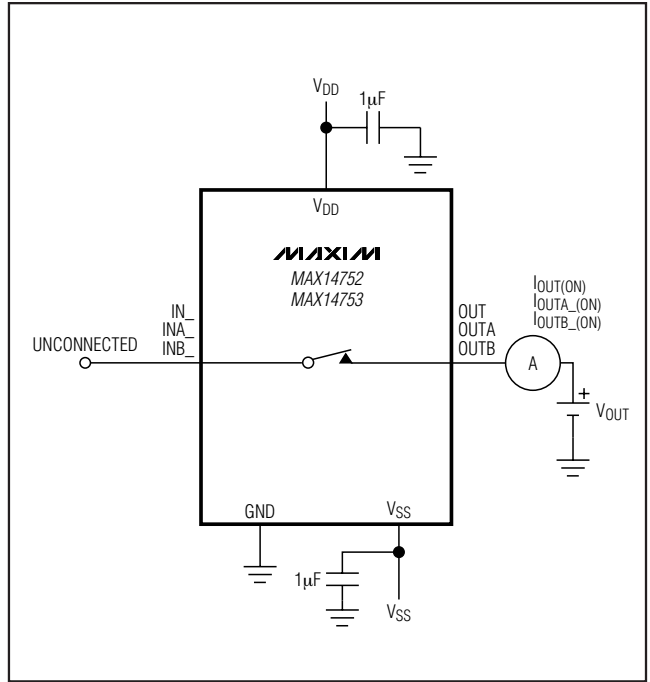


Figure 2. On-Leakage Current

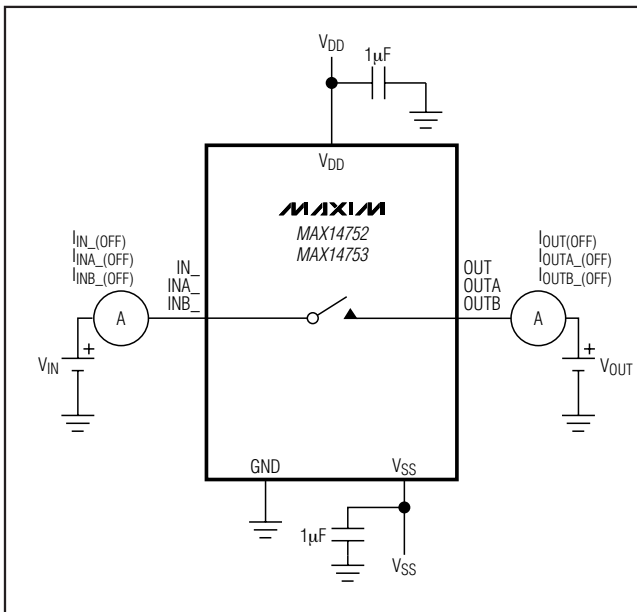


Figure 3. Off-Leakage Current

8-Channel/Dual 4-Channel 72V Analog Multiplexers

Test Circuits/Timing Diagrams/Truth Tables (continued)

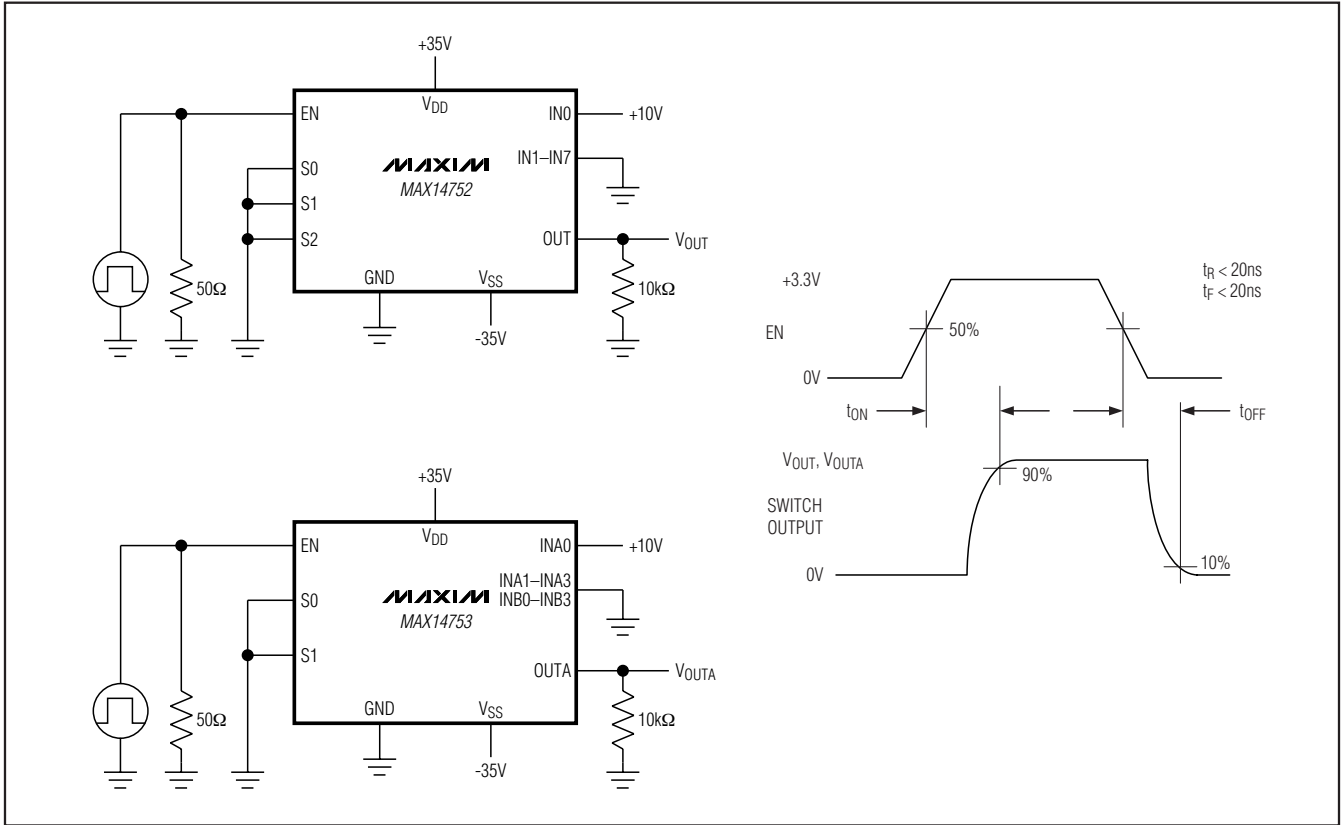


Figure 4. Enable Switching Time

8-Channel/Dual 4-Channel 72V Analog Multiplexers

Test Circuits/Timing Diagrams/Truth Tables (continued)

MAX14752/MAX14753

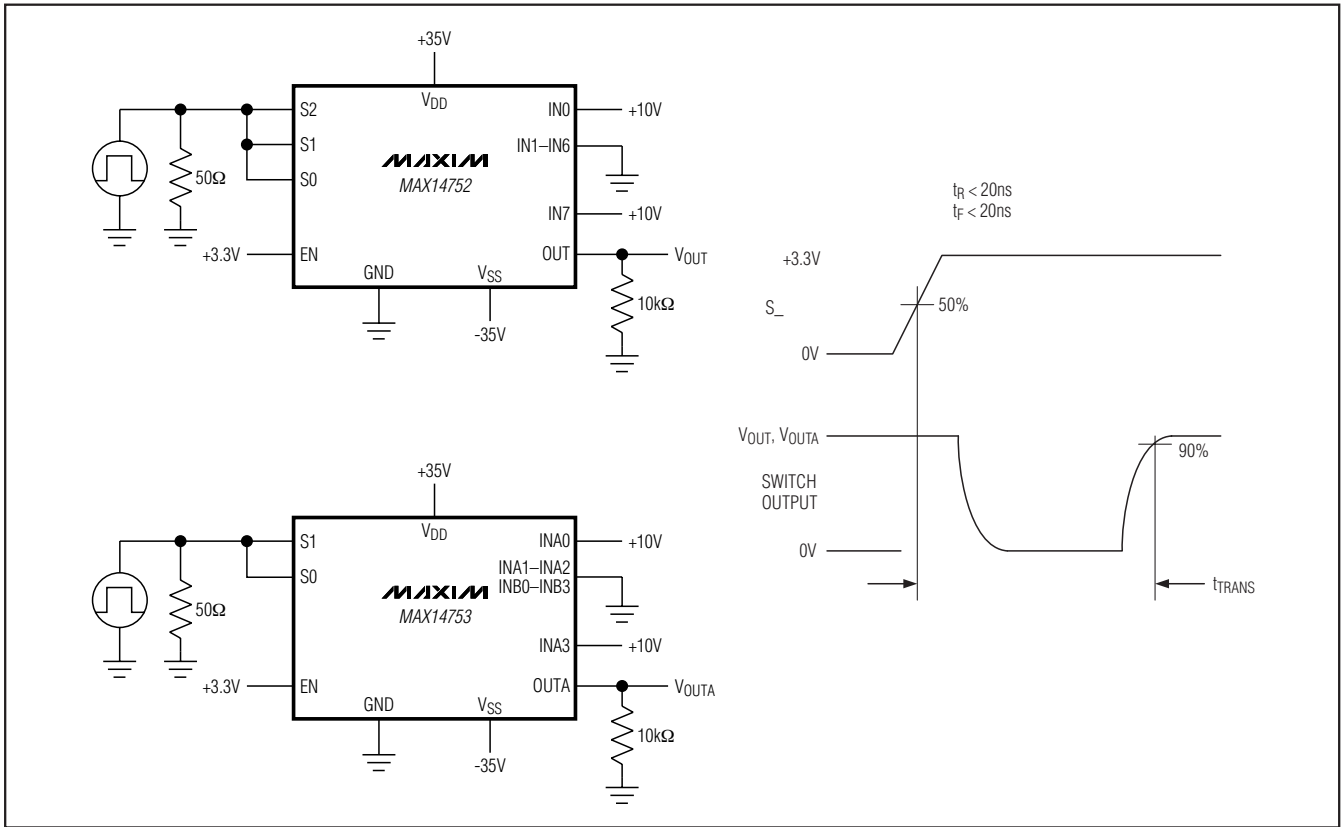


Figure 5. Transition Time

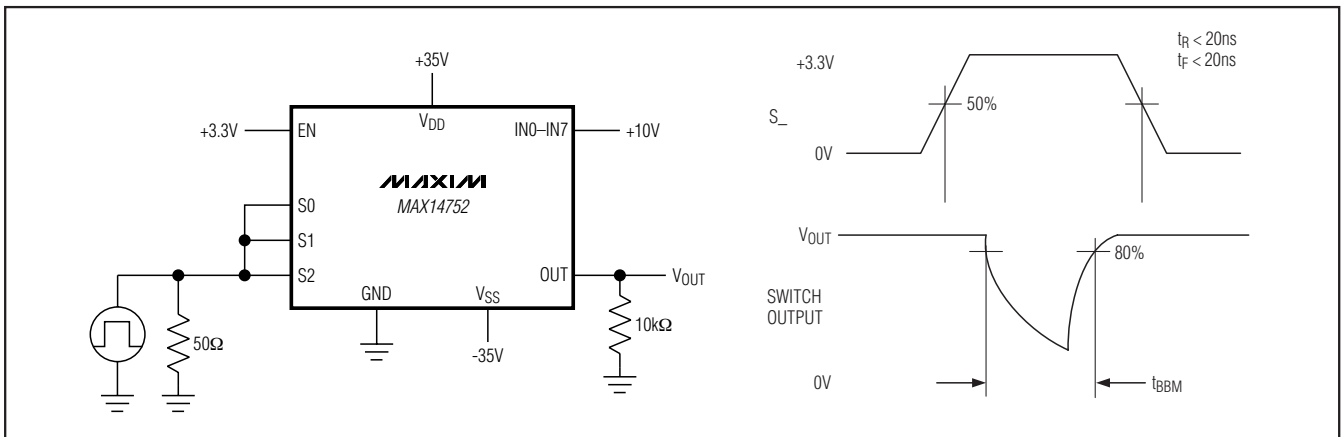


Figure 6. Break-Before-Make Interval

8-Channel/Dual 4-Channel 72V Analog Multiplexers

Test Circuits/Timing Diagrams/Truth Tables (continued)

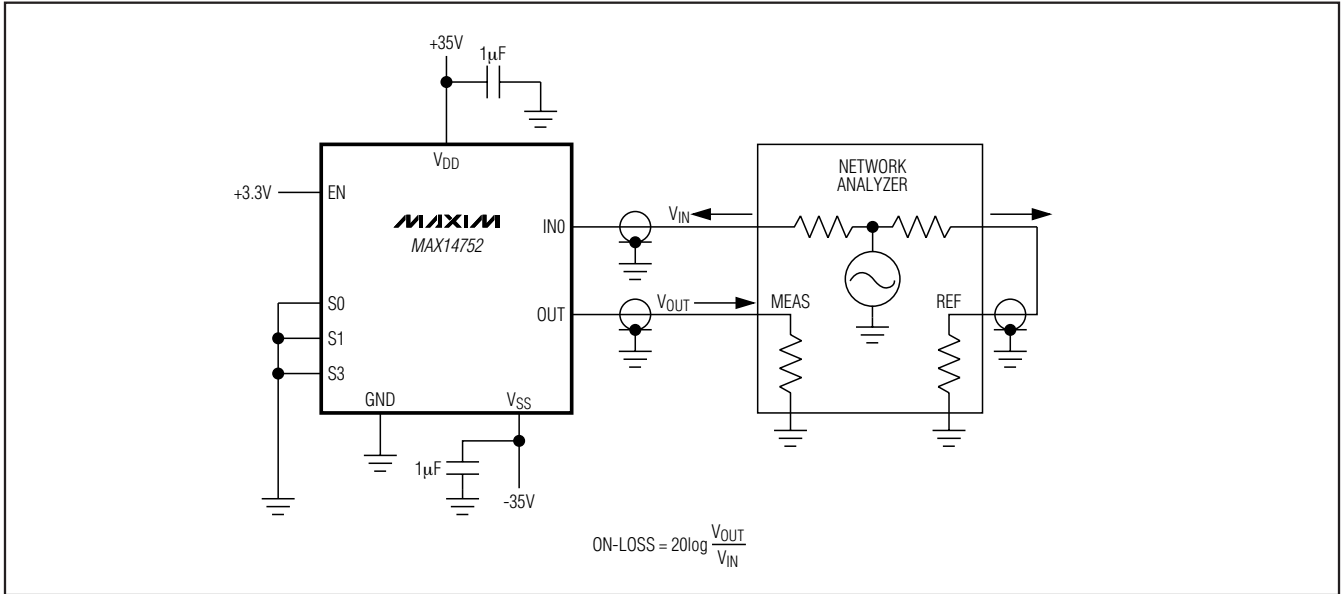


Figure 7. Frequency Response

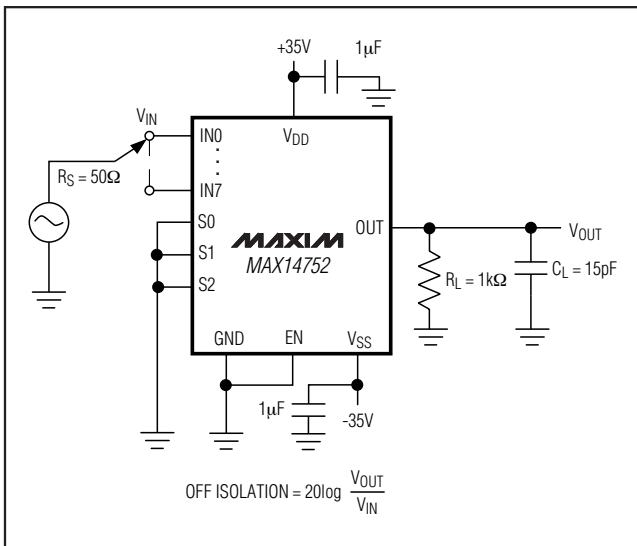


Figure 8. Off-Isolation

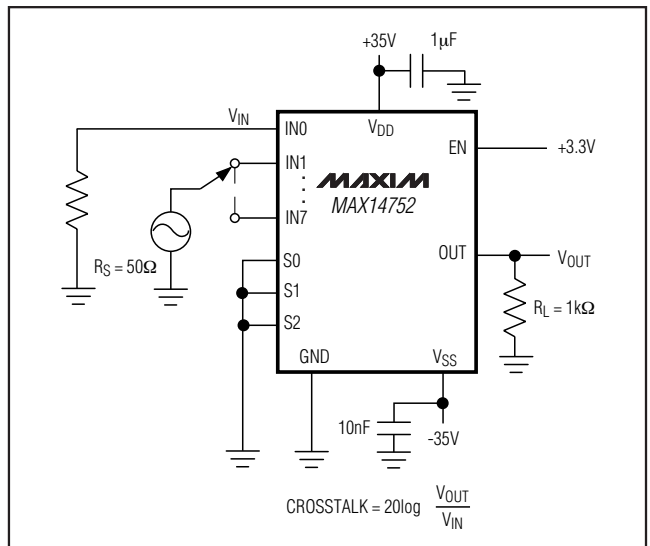


Figure 9. Crosstalk

8-Channel/Dual 4-Channel 72V Analog Multiplexers

Test Circuits/Timing Diagrams/Truth Tables (continued)

MAX14752/MAX14753

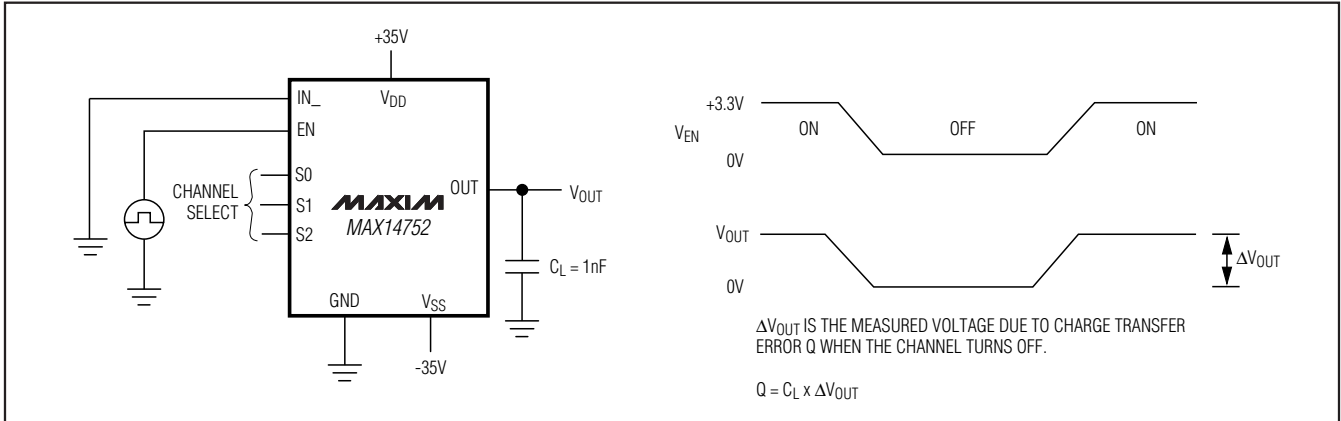


Figure 10. Charge Injection

Table 1. MAX14752 Truth Table

| S2 | S1 | S0 | EN | OUT |
|----|----|----|----|---------|
| X | X | X | 0 | All off |
| 0 | 0 | 0 | 1 | IN0 |
| 0 | 0 | 1 | 1 | IN1 |
| 0 | 1 | 0 | 1 | IN2 |
| 0 | 1 | 1 | 1 | IN3 |
| 1 | 0 | 0 | 1 | IN4 |
| 1 | 0 | 1 | 1 | IN5 |
| 1 | 1 | 0 | 1 | IN6 |
| 1 | 1 | 1 | 1 | IN7 |

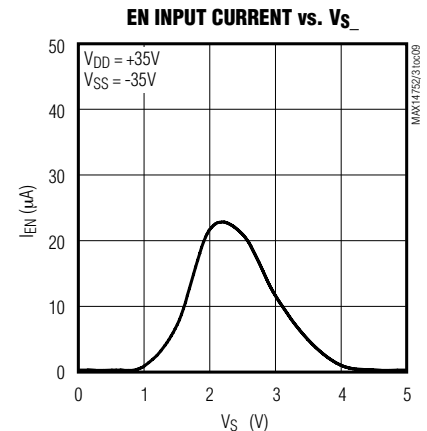
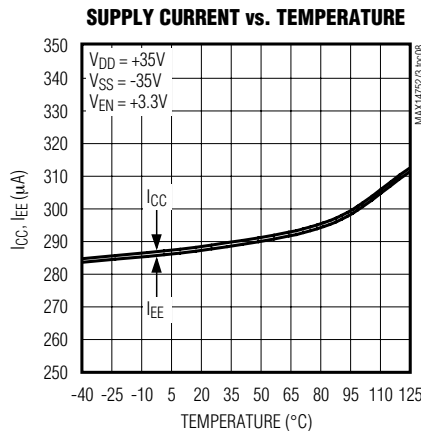
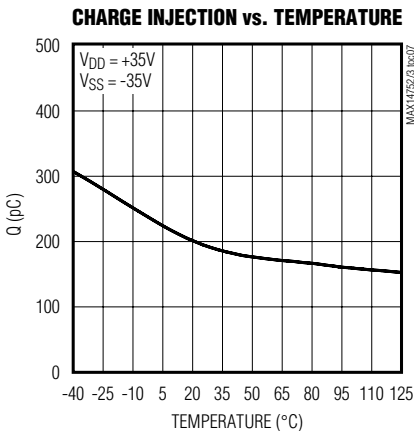
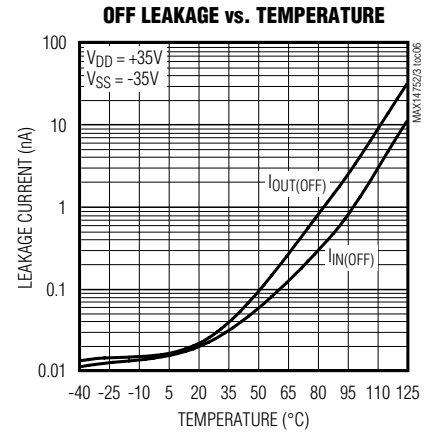
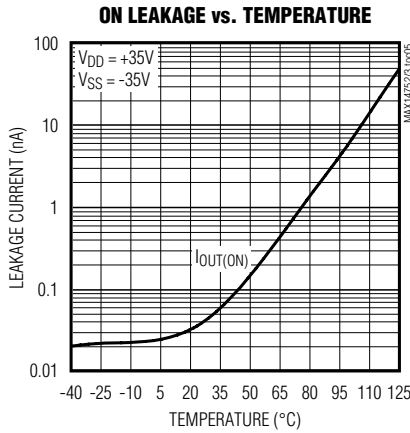
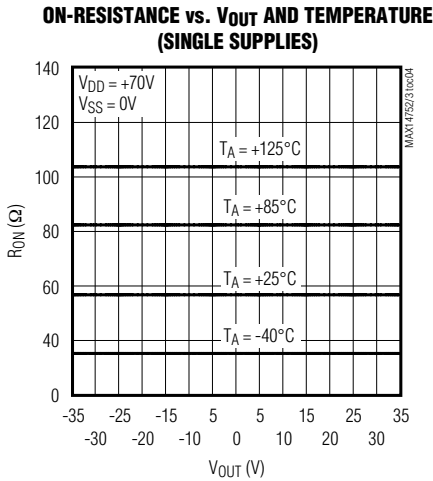
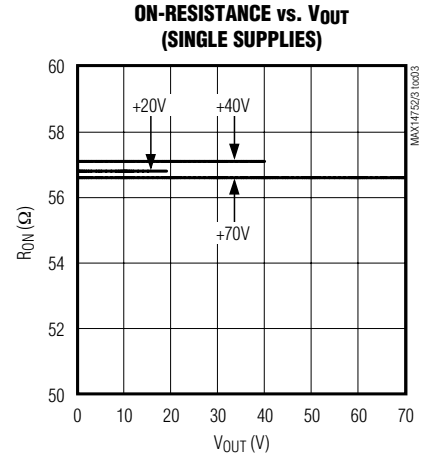
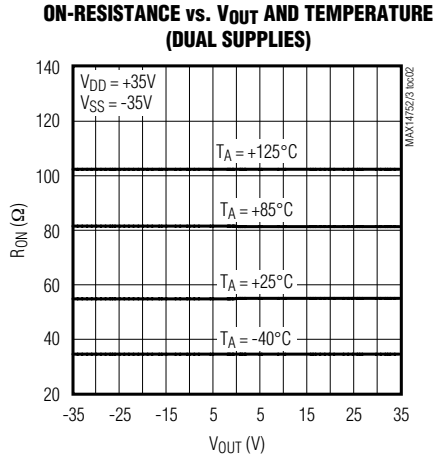
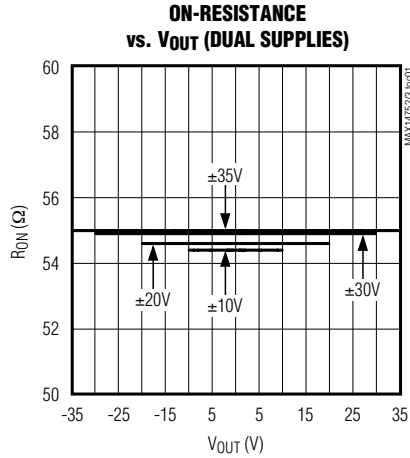
Table 2. MAX14753 Truth Table

| S1 | S0 | EN | OUTA | OUTB |
|----|----|----|---------|---------|
| X | X | 0 | All off | All off |
| 0 | 0 | 1 | INA0 | INB0 |
| 0 | 1 | 1 | INA1 | INB1 |
| 1 | 0 | 1 | INA2 | INB2 |
| 1 | 1 | 1 | INA3 | INB3 |

8-Channel/Dual 4-Channel 72V Analog Multiplexers

Typical Operating Characteristics

($T_A = +25^\circ\text{C}$, unless otherwise noted.)

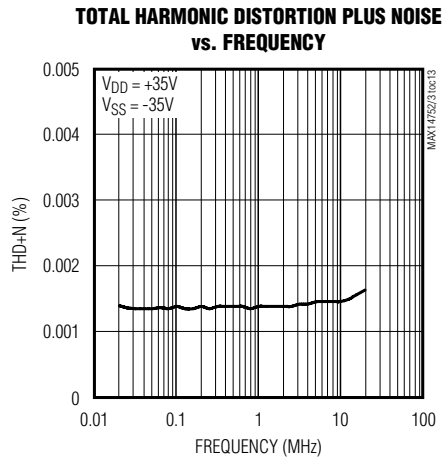
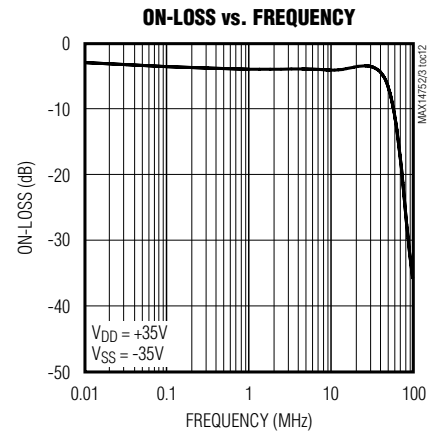
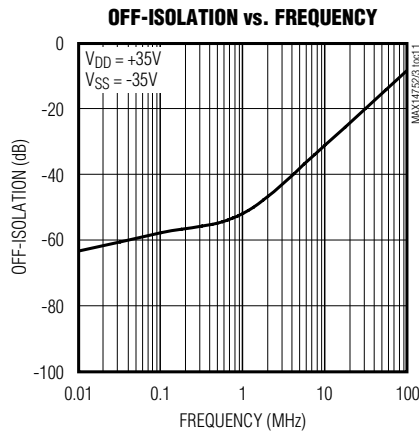
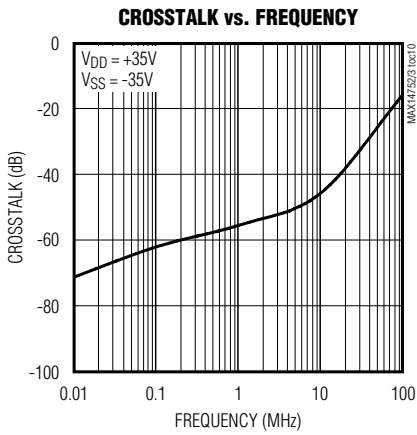


8-Channel/Dual 4-Channel 72V Analog Multiplexers

Typical Operating Characteristics (continued)

($T_A = +25^\circ\text{C}$, unless otherwise noted.)

MAX14752/MAX14753



8-Channel/Dual 4-Channel 72V Analog Multiplexers

MAX14752 Pin Description (Single 8-to-1 Mux)

| PIN | NAME | FUNCTION |
|-----|-----------------|---|
| 1 | S0 | Mux Input Select |
| 2 | EN | Mux Enable. Drive EN high to enable the device. The EN high voltage defines input logic voltage level for S0, S1, and S2. |
| 3 | V _{SS} | Negative Supply Voltage. Bypass V _{SS} to GND with a 1 μ F ceramic capacitor. |
| 4 | IN0 | Bidirectional Analog Input |
| 5 | IN1 | Bidirectional Analog Input |
| 6 | IN2 | Bidirectional Analog Input |
| 7 | IN3 | Bidirectional Analog Input |
| 8 | OUT | Bidirectional Analog Output |
| 9 | IN7 | Bidirectional Analog Input |
| 10 | IN6 | Bidirectional Analog Input |
| 11 | IN5 | Bidirectional Analog Input |
| 12 | IN4 | Bidirectional Analog Input |
| 13 | V _{DD} | Positive Supply Voltage. Bypass V _{DD} to GND with a 1 μ F ceramic capacitor. |
| 14 | GND | Ground. Connect GND to V _{SS} for single supply. Bypass GND to V _{SS} with a 1 μ F ceramic capacitor for dual supply. |
| 15 | S2 | Mux Input Select |
| 16 | S1 | Mux Input Select |

MAX14753 Pin Description (Dual 4-to-1 Mux)

| PIN | NAME | FUNCTION |
|-----|-----------------|---|
| 1 | S0 | Mux Input Select |
| 2 | EN | Mux Enable. Drive EN high to enable the device. The EN high voltage defines input logic voltage level for S0 and S1. |
| 3 | V _{SS} | Negative Supply Voltage. Bypass V _{SS} to GND with a 1 μ F ceramic capacitor. |
| 4 | INA0 | Bidirectional Analog Input |
| 5 | INA1 | Bidirectional Analog Input |
| 6 | INA2 | Bidirectional Analog Input |
| 7 | INA3 | Bidirectional Analog Input |
| 8 | OUTA | Bidirectional Analog Output |
| 9 | OUTB | Bidirectional Analog Output |
| 10 | INB3 | Bidirectional Analog Input |
| 11 | INB2 | Bidirectional Analog Input |
| 12 | INB1 | Bidirectional Analog Input |
| 13 | INB0 | Bidirectional Analog Input |
| 14 | V _{DD} | Positive Supply Voltage. Bypass V _{DD} to GND with a 1 μ F ceramic capacitor. |
| 15 | GND | Ground. Connect GND to V _{SS} for single supply. Bypass GND to V _{SS} with a 1 μ F ceramic capacitor for dual supply. |
| 16 | S1 | Mux Input Select |

8-Channel/Dual 4-Channel 72V Analog Multiplexers

MAX14752/MAX14753

Detailed Description

The MAX14752/MAX14753 are 8-to-1 and dual 4-to-1 high-voltage analog multiplexers. Both devices feature 60Ω (typ) on-resistance with 0.03Ω (typ) on-resistance flatness. These low on-resistance multiplexers conduct equally well in either direction.

The MAX14752 is an 8-to-1 multiplexer and MAX14753 is a dual 4-to-1 multiplexer. Both devices operate with dual supplies of $\pm 10V$ to $\pm 36V$ or a single supply of $+20V$ to $+72V$. Both devices can also operate with unbalanced supplies, such as $+36V$ and $-10V$. These multiplexers support rail-to-rail input and output signals. The control logic level is defined via the EN input. These devices do not require power-supply sequencing. For input voltage steps larger than $15V$, the input-signal slew rate needs to be limited as described in the *Applications Information* section, otherwise the device can be damaged.

Applications Information

Current Through the Mux

The current flowing through each on-channel of the MAX14752/MAX14753 multiplexers must be limited to $\pm 5mA$ for normal operation. If the current exceeds this limit, an internal leakage current from that channel to V_{SS} appears. Larger input current does not destroy the device if the max power dissipation is not exceeded.

Signal's Slew-Rate Limit

If the input signal to the MAX14752/MAX14753 is a voltage step larger than $15V$, limit the slew rate of the signal according to the safe operating area specified in Figure 11. For input-voltage steps lower than $15V$ (positive or negative), slew-rate limiting is not required. Slew-rate limiting can be achieved through a passive RC lowpass filter (see Figure 12). Do not use the input voltage steps beyond the safe operating area specified in the Figure 11 to avoid permanent damage to the device.

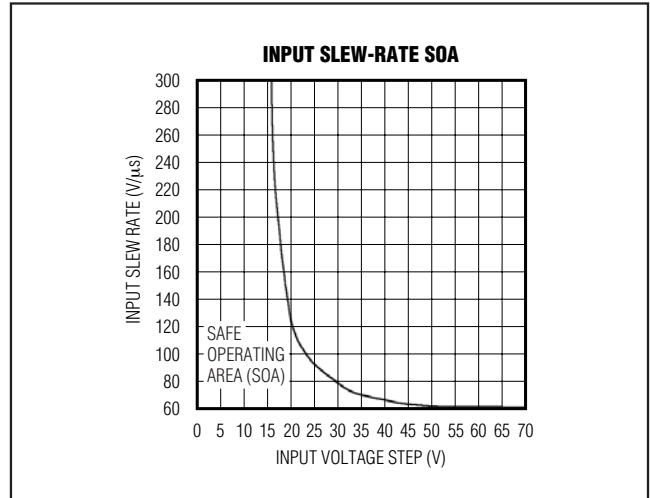


Figure 11. Safe Operating Area

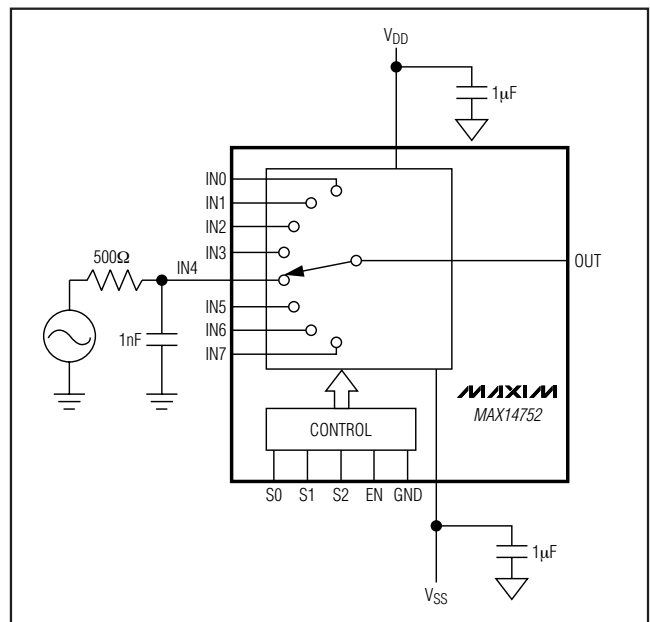


Figure 12. Input Slew-Rate Limit

8-Channel/Dual 4-Channel 72V Analog Multiplexers

Input Voltage Clamping

For applications that require input voltages beyond the normal operating voltages, the internal input diodes to V_{DD} and V_{SS} can be used to limit the input voltages. As shown in Figure 13, series resistors can be employed at the inputs to limit the currents flowing into the diodes during undervoltage and overvoltage conditions. Choose the limiting resistors such that the input currents are limited to $I_{IN_}(max) = 100mA$. The values of the current limit resistors can be calculated as the larger of R_{LIM+} and R_{LIM-} .

$$R_{LIM+} = \frac{V_{IN(max)} - V_{DD}}{I_{IN_}(max)}$$

$$R_{LIM-} = \frac{V_{SS} - V_{IN(min)}}{I_{IN_}(max)}$$

During an undervoltage or overvoltage condition, the input impedance is equal to R_{LIM} . The additional power dissipation due to the fault currents needs to be calculated. The MAX14752/MAX14753 multiplexer operates

normally on a channel that is on during an overvoltage or undervoltage clamping condition on a second channel that is not switched.

Beyond-the-Rail Input

If input voltages are expected to go beyond the supply voltages, but within the absolute maximum supply voltages of the MAX14752/MAX14753, add two diodes in series with the supplies as shown in Figure 14.

During undervoltage and overvoltage events, the internal diodes pull V_{DD}/V_{SS} supplies up/down. An advantage of this scheme is that the input impedance is high and currents do not flow though the MAX14752/MAX14753 during overvoltage and undervoltage events. The input voltages must be limited to the voltages specified in the *Absolute Maximum Ratings* section.

Chip Information

PROCESS: CMOS

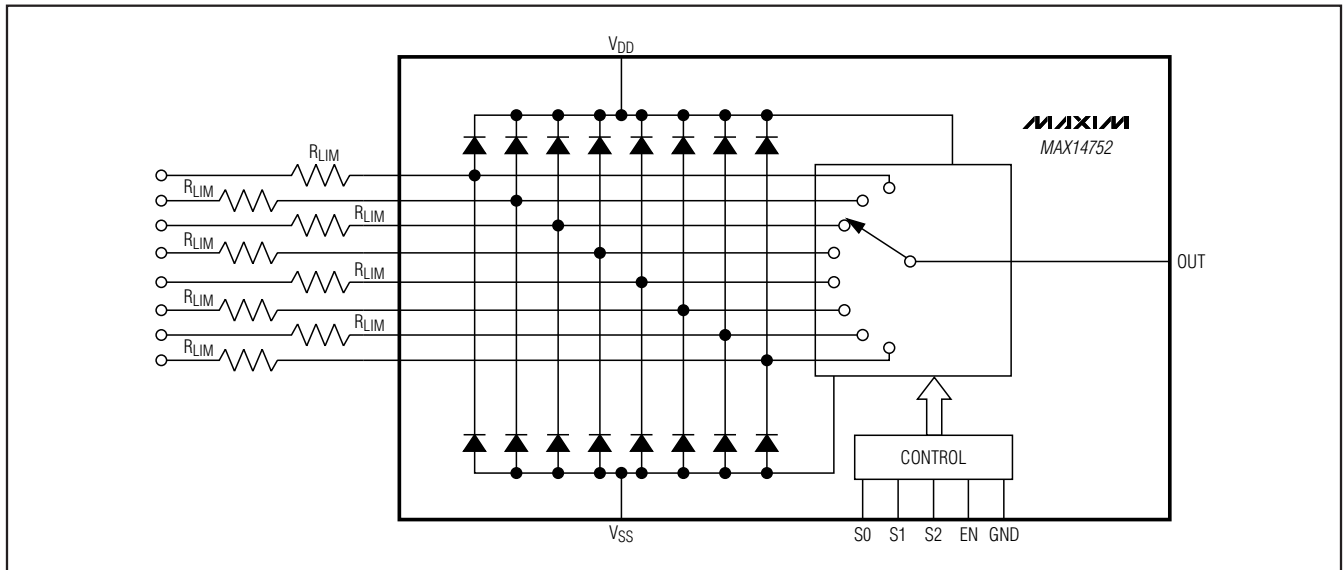


Figure 13. Input Overvoltage and Undervoltage Clamping

8-Channel/Dual 4-Channel 72V Analog Multiplexers

Package Information

For the latest package outline information and land patterns, go to www.maxim-ic.com/packages.

| PACKAGE TYPE | PACKAGE CODE | DOCUMENT NO. |
|--------------|--------------|-------------------------|
| 16 TSSOP | U16-1 | 21-0066 |

Maxim cannot assume responsibility for use of any circuitry other than circuitry entirely embodied in a Maxim product. No circuit patent licenses are implied. Maxim reserves the right to change the circuitry and specifications without notice at any time.

16 **Maxim Integrated Products, 120 San Gabriel Drive, Sunnyvale, CA 94086 408-737-7600**