

## Voltage-to-Frequency/Frequency-to-Voltage Converters

### Features

#### VOLTAGE-TO-FREQUENCY

- Choice of Linearity
  - TC9401: 0.01%
  - TC9400: 0.05%
  - TC9402: 0.25%
- DC to 100kHz (F/V) or 1Hz to 100kHz (V/F)
- Low Power Dissipation: 27mW (Typ.)
- Single/Dual Supply Operation
  - +8V to +15V or  $\pm 4V$  to  $\pm 7.5V$
- Gain Temperature Stability:  $\pm 25$  ppm/ $^{\circ}C$  (Typ.)
- Programmable Scale Factor

#### FREQUENCY-TO-VOLTAGE

- Operation: DC to 100kHz
- Choice of Linearity
  - TC9401: 0.02%
  - TC9400: 0.05%
  - TC9402: 0.25%
- Programmable Scale Factor

### Applications

- $\mu P$  Data Acquisition
- 13-bit Analog-to-Digital Converters
- Analog Data Transmission and Recording
- Phase Locked Loops
- Frequency Meters/Tachometer
- Motor Control
- FM Demodulation

### Device Selection Table

Part Number	Linearity (V/F)	Package	Temperature Range
TC9400COD	0.05%	14-Pin SOIC (Narrow)	0 $^{\circ}C$ to +70 $^{\circ}C$
TC9400CPD	0.05%	14-Pin PDIP	0 $^{\circ}C$ to +70 $^{\circ}C$
TC9400EJD	0.05%	14-Pin CerDIP	-40 $^{\circ}C$ to +85 $^{\circ}C$
TC9401CPD	0.01%	14-Pin PDIP	0 $^{\circ}C$ to +70 $^{\circ}C$
TC9401EJD	0.01%	14-Pin CerDIP	-40 $^{\circ}C$ to +85 $^{\circ}C$
TC9402CPD	0.25%	14-Pin PDIP	0 $^{\circ}C$ to +70 $^{\circ}C$
TC9402EJD	0.25%	14-Pin CerDIP	0 $^{\circ}C$ to +85 $^{\circ}C$

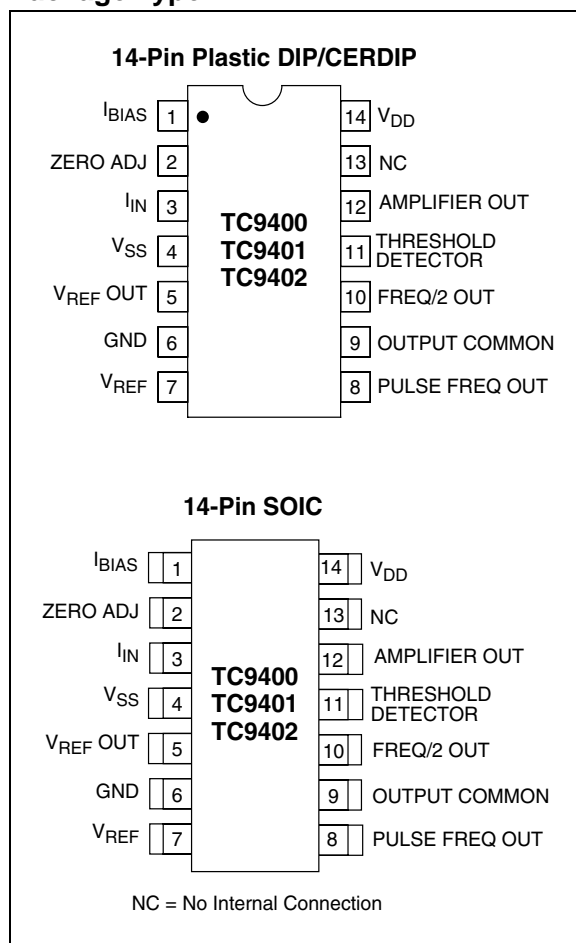
### General Description

The TC9400/TC9401/TC9402 are low cost voltage-to-frequency (V/F) converters, utilizing low power CMOS technology. The converters accept a variable analog input signal and generate an output pulse train, whose frequency is linearly proportional to the input voltage.

The devices can also be used as highly accurate frequency-to-voltage (F/V) converters, accepting virtually any input frequency waveform and providing a linearly proportional voltage output.

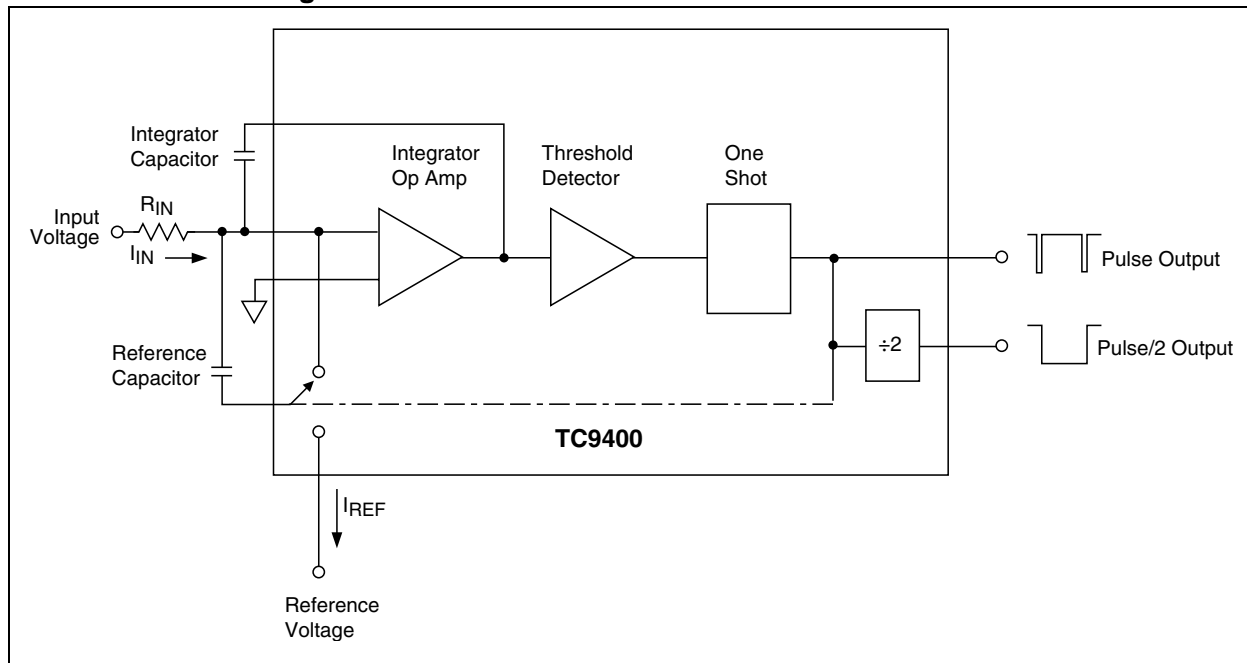
A complete V/F or F/V system only requires the addition of two capacitors, three resistors, and reference voltage.

### Package Type



# TC9400/9401/9402

## Functional Block Diagram



## 1.0 ELECTRICAL CHARACTERISTICS

### Absolute Maximum Ratings\*

$V_{DD} - V_{SS}$ .....	+18V
$I_{IN}$ .....	10mA
$V_{OUTMAX} - V_{OUT}$ Common.....	23V
$V_{REF} - V_{SS}$ .....	-1.5V
Storage Temperature Range.....	-65°C to +150°C
Operating Temperature Range:	
C Device .....	0°C to +70°C
E Device.....	-40°C to +85°C
Package Dissipation ( $T_A \leq 70^\circ\text{C}$ ):	
8-Pin CerDIP .....	800mW
8-Pin Plastic DIP .....	730mW
8-Pin SOIC .....	470mW

\*Stresses above those listed under "Absolute Maximum Ratings" may cause permanent damage to the device. These are stress ratings only and functional operation of the device at these or any other conditions above those indicated in the operation sections of the specifications is not implied. Exposure to Absolute Maximum Rating conditions for extended periods may affect device reliability.

### TC940X ELECTRICAL SPECIFICATIONS

Electrical Characteristics: $V_{DD} = +5V$ , $V_{SS} = -5V$ , $V_{GND} = 0V$ , $V_{REF} = -5V$ , $R_{BIAS} = 100k\Omega$ , Full Scale = 10kHz, unless otherwise specified. $T_A = +25^\circ\text{C}$ , unless temperature range is specified (-40°C to +85°C for E device, 0°C to +70°C for C device).											
Parameter	Min	Typ	Max	Min	Typ	Max	Min	Typ	Max	Units	Test Conditions
<b>Voltage-to-Frequency</b>											
<b>Accuracy</b>	<b>TC9400</b>			<b>TC9401</b>			<b>TC9402</b>				
Linearity 10kHz	—	0.01	0.05	—	0.004	0.01	—	0.05	0.25	% Full Scale	Output Deviation from Straight Line Between Normalized Zero and Full Scale Input
Linearity 100kHz	—	0.1	0.25	—	0.04	0.08	—	0.25	0.5	% Full Scale	Output Deviation from Straight Line Between Normalized Zero Reading and Full Scale Input
Gain Temperature Drift ( <b>Note 1</b> )	—	±25	±40	—	±25	±40	—	±50	±100	ppm/°C Full Scale	Variation in Gain A due to Temperature Change
Gain Variance	—	±10	—	—	±10	—	—	±10	—	% of Nominal	Variation from Ideal Accuracy
Zero Offset ( <b>Note 2</b> )	—	±10	±50	—	±10	±50	—	±20	±100	mV	Correction at Zero Adjust for Zero Output when Input is Zero
Zero Temperature Drift ( <b>Note 1</b> )	—	±25	±50	—	±25	±50	—	±50	±100	µV/°C	Variation in Zero Offset Due to Temperature Change

- Note**
- 1: Full temperature range; not tested.
  - 2:  $I_{IN} = 0$ .
  - 3: Full temperature range,  $I_{OUT} = 10\text{mA}$ .
  - 4:  $I_{OUT} = 10\mu\text{A}$ .
  - 5: Threshold Detect = 5V, Amp Out = 0V, full temperature range.
  - 6: 10Hz to 100kHz; not tested.
  - 7: 5µsec minimum positive pulse width and 0.5µsec minimum negative pulse width.
  - 8:  $t_R = t_F = 20\text{nsec}$ .
  - 9:  $R_L \geq 2k\Omega$ , tested @ 10kΩ.
  - 10: Full temperature range,  $V_{IN} = -0.1V$ .

# TC9400/9401/9402

## TC940X ELECTRICAL SPECIFICATIONS (CONTINUED)

Electrical Characteristics: $V_{DD} = +5V$ , $V_{SS} = -5V$ , $V_{GND} = 0V$ , $V_{REF} = -5V$ , $R_{BIAS} = 100k\Omega$ , Full Scale = 10kHz, unless otherwise specified. $T_A = +25^\circ C$ , unless temperature range is specified ( $-40^\circ C$ to $+85^\circ C$ for E device, $0^\circ C$ to $+70^\circ C$ for C device).											
Parameter	Min	Typ	Max	Min	Typ	Max	Min	Typ	Max	Units	Test Conditions
<b>Analog Input</b>											
$I_{IN}$ Full Scale	—	10	—	—	10	—	—	10	—	$\mu A$	Full Scale Analog Input Current to achieve Specified Accuracy
$I_{IN}$ Over Range	—	—	50	—	—	50	—	—	50	$\mu A$	Over Range Current
Response Time	—	2	—	—	2	—	—	2	—	Cycle	Settling Time to 0.1% Full Scale
<b>Digital Section</b>	<b>TC9400</b>			<b>TC9401</b>			<b>TC9402</b>				
$V_{SAT}$ @ $I_{OL} = 10mA$	—	0.2	0.4	—	0.2	0.4	—	0.2	0.4	V	Logic "0" Output Voltage ( <b>Note 3</b> )
$V_{OUTMAX} - V_{OUT}$ Common ( <b>Note 4</b> )	—	—	18	—	—	18	—	—	18	V	Voltage Range Between Output and Common
Pulse Frequency Output Width	—	3	—	—	3	—	—	3	—	$\mu sec$	
<b>Frequency-to-Voltage</b>											
<b>Supply Current</b>											
$I_{DD}$ Quiescent ( <b>Note 5</b> )	—	1.5	6	—	1.5	6	—	3	10	mA	Current Required from Positive Supply during Operation
$I_{SS}$ Quiescent ( <b>Note 5</b> )	—	-1.5	-6	—	-1.5	-6	—	-3	-10	mA	Current Required from Negative Supply during Operation
$V_{DD}$ Supply	4	—	7.5	4	—	7.5	4	—	7.5	V	Operating Range of Positive Supply
$V_{SS}$ Supply	-4	—	-7.5	-4	—	-7.5	-4	—	-7.5	V	Operating Range of Negative Supply
<b>Reference Voltage</b>											
$V_{REF} - V_{SS}$	-2.5	—	—	-2.5	—	—	-2.5	—	—	V	Range of Voltage Reference Input
<b>Accuracy</b>											
Non-Linearity ( <b>Note 10</b> )	—	0.02	0.05	—	0.01	0.02	—	0.05	0.25	% Full Scale	Deviation from ideal Transfer Function as a Percentage Full Scale Voltage
Input Frequency Range ( <b>Notes 7 and 8</b> )	10	—	100k	10	—	100k	10	—	100k	Hz	Frequency Range for Specified Non-Linearity

- Note** 1: Full temperature range; not tested.  
 2:  $I_{IN} = 0$ .  
 3: Full temperature range,  $I_{OUT} = 10mA$ .  
 4:  $I_{OUT} = 10\mu A$ .  
 5: Threshold Detect = 5V, Amp Out = 0V, full temperature range.  
 6: 10Hz to 100kHz; not tested.  
 7: 5 $\mu sec$  minimum positive pulse width and 0.5 $\mu sec$  minimum negative pulse width.  
 8:  $t_R = t_F = 20nsec$ .  
 9:  $R_L \geq 2k\Omega$ , tested @ 10k $\Omega$ .  
 10: Full temperature range,  $V_{IN} = -0.1V$ .

## TC940X ELECTRICAL SPECIFICATIONS (CONTINUED)

**Electrical Characteristics:**  $V_{DD} = +5V$ ,  $V_{SS} = -5V$ ,  $V_{GND} = 0V$ ,  $V_{REF} = -5V$ ,  $R_{BIAS} = 100k\Omega$ , Full Scale = 10kHz, unless otherwise specified.  $T_A = +25^\circ C$ , unless temperature range is specified ( $-40^\circ C$  to  $+85^\circ C$  for E device,  $0^\circ C$  to  $+70^\circ C$  for C device).

Parameter	Min	Typ	Max	Min	Typ	Max	Min	Typ	Max	Units	Test Conditions
<b>Frequency Input</b>											
Positive Excursion	0.4	—	$V_{DD}$	0.4	—	$V_{DD}$	0.4	—	$V_{DD}$	V	Voltage Required to Turn Threshold Detector On
Negative Excursion	-0.4	—	-2	-0.4	—	-2	-0.4	—	-2	V	Voltage Required to Turn Threshold Detector Off
Minimum Positive Pulse Width <b>(Note 8)</b>	—	5	—	—	5	—	—	5	—	$\mu sec$	Time between Threshold Crossings
Minimum Negative Pulse Width <b>(Note 8)</b>	—	0.5	—	—	0.5	—	—	0.5	—	$\mu sec$	Time Between Threshold Crossings
Input Impedance	—	10	—	—	10	—	—	—	10	$M\Omega$	
<b>Analog Outputs</b>	<b>TC9400</b>			<b>TC9401</b>			<b>TC9402</b>				
Output Voltage <b>(Note 9)</b>	—	$V_{DD} - 1$	—	—	$V_{DD} - 1$	—	—	$V_{DD} - 1$	—	V	Voltage Range of Op Amp Output for Specified Non-Linearity
Output Loading	2	—	—	2	—	—	2	—	—	$k\Omega$	Resistive Loading at Output of Op Amp
<b>Supply Current</b>	<b>TC9400</b>			<b>TC9401</b>			<b>TC9402</b>				
$I_{DD}$ Quiescent <b>(Note 10)</b>	—	1.5	6	—	1.5	6	—	3	10	mA	Current Required from Positive Supply During Operation
$I_{SS}$ Quiescent <b>(Note 10)</b>	—	-1.5	-6	—	-1.5	-6	—	-3	-10	mA	Current Required from Negative Supply During Operation
$V_{DD}$ Supply	4	—	7.5	4	—	7.5	4	—	7.5	V	Operating Range of Positive Supply
$V_{SS}$ Supply	-4	—	-7.5	-4	—	-7.5	-4	—	-7.5	V	Operating Range of Negative Supply
<b>Reference Voltage</b>											
$V_{REF} - V_{SS}$	-2.5	—	—	-2.5	—	—	-2.5	—	—	V	Range of Voltage Reference Input

- Note**
- 1: Full temperature range; not tested.
  - 2:  $I_{IN} = 0$ .
  - 3: Full temperature range,  $I_{OUT} = 10mA$ .
  - 4:  $I_{OUT} = 10\mu A$ .
  - 5: Threshold Detect = 5V, Amp Out = 0V, full temperature range.
  - 6: 10Hz to 100kHz; not tested.
  - 7:  $5\mu sec$  minimum positive pulse width and  $0.5\mu sec$  minimum negative pulse width.
  - 8:  $t_R = t_F = 20nsec$ .
  - 9:  $R_L \geq 2k\Omega$ , tested @ 10k $\Omega$ .
  - 10: Full temperature range,  $V_{IN} = -0.1V$ .

# TC9400/9401/9402

## 2.0 PIN DESCRIPTIONS

The descriptions of the pins are listed in Table 2-1.

**TABLE 2-1: PIN FUNCTION TABLE**

Pin No. 14-Pin PDIP/CERDIP 14-Pin SOIC (Narrow)	Symbol	Description
1	$I_{BIAS}$	This pin sets bias current in the TC9400. Connect to $V_{SS}$ through a 100k $\Omega$ resistor.
2	ZERO ADJ	Low frequency adjustment input.
3	$I_{IN}$	Input current connection for the V/F converter.
4	$V_{SS}$	Negative power supply voltage connection, typically -5V.
5	$V_{REF}$ OUT	Reference capacitor connection.
6	GND	Analog ground.
7	$V_{REF}$	Voltage reference input, typically -5V.
8	PULSE FREQ OUT	Frequency output. This open drain output will pulse LOW each time the Freq. Threshold Detector limit is reached. The pulse rate is proportional to input voltage.
9	OUTPUT COMMON	Source connection for the open drain output FETs.
10	FREQ/2 OUT	This open drain output is a square wave at one-half the frequency of the pulse output (Pin 8). Output transitions of this pin occur on the rising edge of Pin 8.
11	THRESHOLD DETECTOR	Input to the Threshold Detector. This pin is the frequency input during F/V operation.
12	AMPLIFIER OUT	Output of the integrator amplifier.
13	NC	No internal connection.
14	$V_{DD}$	Positive power supply connection, typically +5V.

## 3.0 DETAILED DESCRIPTION

### 3.1 Voltage-to-Frequency (V/F) Circuit Description

The TC9400 V/F converter operates on the principal of charge balancing. The operation of the TC9400 is easily understood by referring to Figure 3-1. The input voltage ( $V_{IN}$ ) is converted to a current ( $I_{IN}$ ) by the input resistor. This current is then converted to a charge on the integrating capacitor and shows up as a linearly decreasing voltage at the output of the Op Amp. The lower limit of the output swing is set by the threshold detector, which causes the reference voltage to be applied to the reference capacitor for a time period long enough to charge the capacitor to the reference voltage. This action reduces the charge on the integrating capacitor by a fixed amount ( $q = C_{REF} \times V_{REF}$ ), causing the Op Amp output to step up a finite amount.

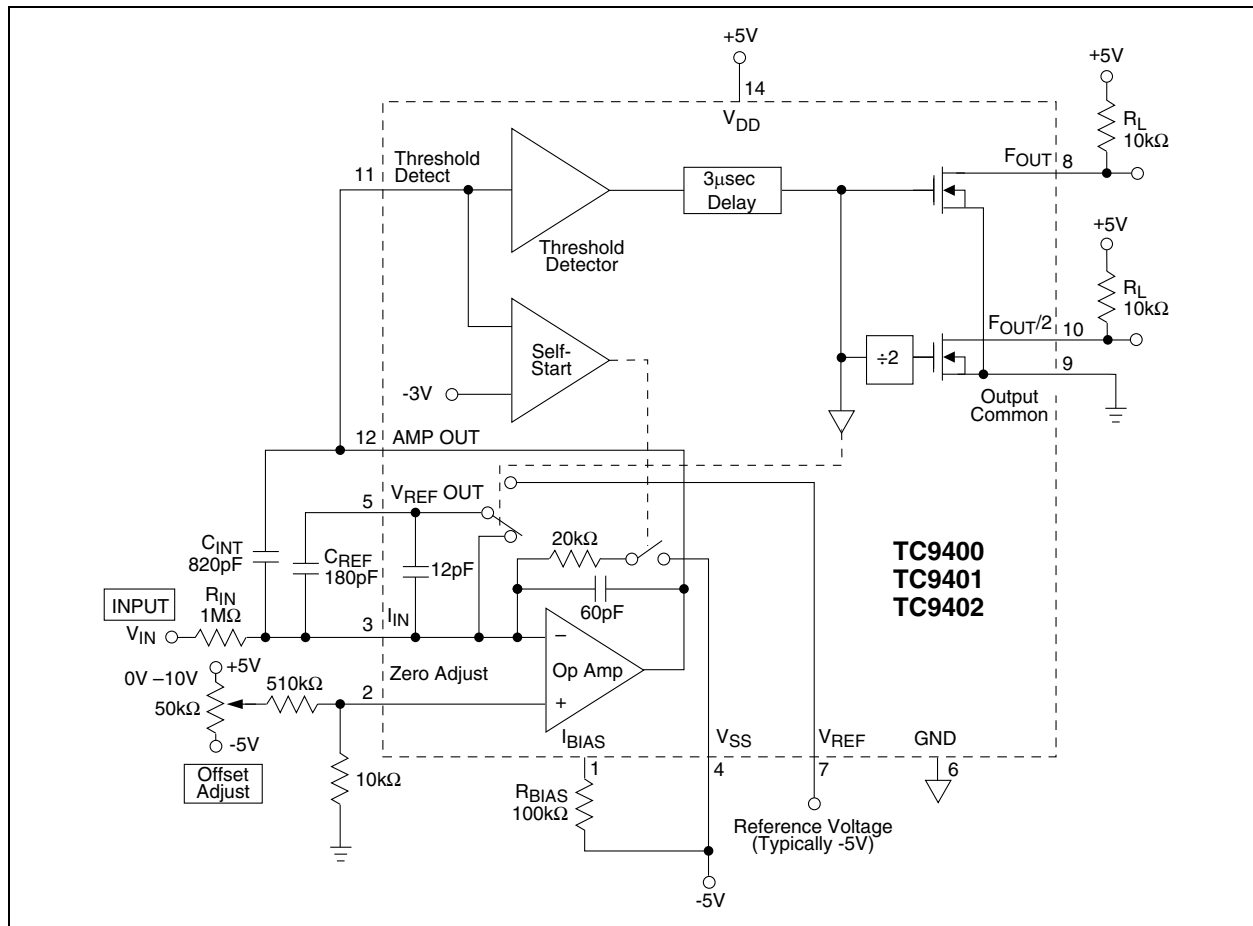
At the end of the charging period,  $C_{REF}$  is shorted out. This dissipates the charge stored on the reference capacitor, so that when the output again crosses zero, the system is ready to recycle. In this manner, the continued discharging of the integrating capacitor by the

input is balanced out by fixed charges from the reference voltage. As the input voltage is increased, the number of reference pulses required to maintain balance increases, which causes the output frequency to also increase. Since each charge increment is fixed, the increase in frequency with voltage is linear. In addition, the accuracy of the output pulse width does not directly affect the linearity of the V/F. The pulse must simply be long enough for full charge transfer to take place.

The TC9400 contains a "self-start" circuit to ensure the V/F converter always operates properly when power is first applied. In the event that, during power-on, the Op Amp output is below the threshold and  $C_{REF}$  is already charged, a positive voltage step will not occur. The Op Amp output will continue to decrease until it crosses the -3.0V threshold of the "self-start" comparator. When this happens, an internal resistor is connected to the Op Amp input, which forces the output to go positive until the TC9400 is in its Normal Operating mode.

The TC9400 utilizes low power CMOS processing for low input bias and offset currents, with very low power dissipation. The open drain N-channel output FETs provide high voltage and high current sink capability.

FIGURE 3-1: 10Hz TO 10kHz V/F CONVERTER



# TC9400/9401/9402

## 3.2 Voltage-to-Time Measurements

The TC9400 output can be measured in the time domain as well as the frequency domain. Some microcomputers, for example, have extensive timing capability, but limited counter capability. Also, the response time of a time domain measurement is only the period between two output pulses, while the frequency measurement must accumulate pulses during the entire counter time-base period.

Time measurements can be made from either the TC9400's PULSE FREQ OUT output, or from the FREQ/2 OUT output. The FREQ/2 OUT output changes state on the rising edge of PULSE FREQ OUT, so FREQ/2 OUT is a symmetrical square wave at one-half the pulse output frequency. Timing measurements can, therefore, be made between successive PULSE FREQ OUT pulses, or while FREQ/2 OUT is high (or low).

## 4.0 PIN FUNCTIONS

### 4.1 Threshold Detector Input

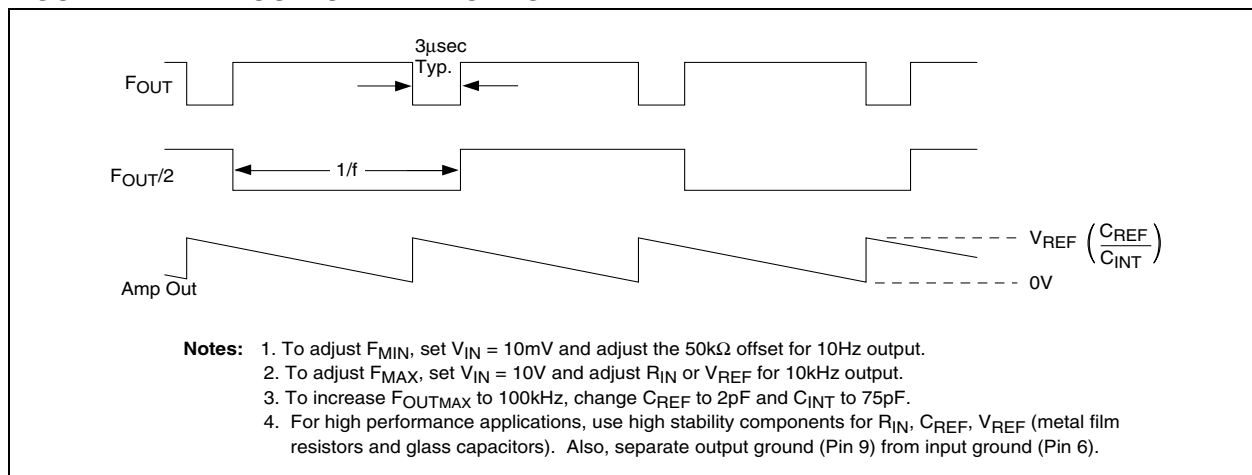
In the V/F mode, this input is connected to the AMPLIFIER OUT output (Pin 12) and triggers a 3 $\mu$ sec pulse when the input voltage passes through its threshold. In the F/V mode, the input frequency is applied to this input.

The nominal threshold of the detector is half way between the power supplies, or  $(V_{DD} + V_{SS})/2 \pm 400\text{mV}$ . The TC9400's charge balancing V/F technique is not dependent on a precision comparator threshold, because the threshold only sets the lower limit of the Op Amp output. The Op Amp's peak-to-peak output swing, which determines the frequency, is only influenced by external capacitors and by  $V_{REF}$ .

### 4.2 Pulse Freq Out

This output is an open drain N-channel FET, which provides a pulse waveform whose frequency is proportional to the input voltage. This output requires a pull-up resistor and interfaces directly with MOS, CMOS, and TTL logic (see Figure 4-1).

FIGURE 4-1: OUTPUT WAVEFORMS





## 4.3 Freq/2 Out

This output is an open drain N-channel FET, which provides a square wave one-half the frequency of the pulse frequency output. The FREQ/2 OUT output will change state on the rising edge of PULSE FREQ OUT. This output requires a pull-up resistor and interfaces directly with MOS, CMOS, and TTL logic.

## 4.4 Output Common

The sources of both the FREQ/2 OUT and the PULSE FREQ OUT are connected to this pin. An output level swing from the drain voltage to ground, or to the  $V_{SS}$  supply, may be obtained by connecting this pin to the appropriate point.

## 4.5 $R_{BIAS}$

An external resistor, connected to  $V_{SS}$ , sets the bias point for the TC9400. Specifications for the TC9400 are based on  $R_{BIAS} = 100k\Omega \pm 10\%$ , unless otherwise noted.

Increasing the maximum frequency of the TC9400 beyond 100kHz is limited by the pulse width of the pulse output (typically 3 $\mu$ sec). Reducing  $R_{BIAS}$  will decrease the pulse width and increase the maximum operating frequency, but linearity errors will also increase.  $R_{BIAS}$  can be reduced to 20k $\Omega$ , which will typically produce a maximum full scale frequency of 500kHz.

## 4.6 Amplifier Out

This pin is the output stage of the operational amplifier. During V/F operation, a negative going ramp signal is available at this pin. In the F/V mode, a voltage proportional to the frequency input is generated.

## 4.7 Zero Adjust

This pin is the non-inverting input of the operational amplifier. The low frequency set point is determined by adjusting the voltage at this pin.

## 4.8 $I_{IN}$

The inverting input of the operational amplifier and the summing junction when connected in the V/F mode. An input current of 10 $\mu$ A is specified, but an over range current up to 50 $\mu$ A can be used without detrimental effect to the circuit operation.  $I_{IN}$  connects the summing junction of an operational amplifier. Voltage sources cannot be attached directly, but must be buffered by external resistors.

## 4.9 $V_{REF}$

A reference voltage from either a precision source, or the  $V_{SS}$  supply is applied to this pin. Accuracy of the TC9400 is dependent on the voltage regulation and temperature characteristics of the reference circuitry.

Since the TC9400 is a charge balancing V/F converter, the reference current will be equal to the input current. For this reason, the DC impedance of the reference voltage source must be kept low enough to prevent linearity errors. For linearity of 0.01%, a reference impedance of 200W or less is recommended. A 0.1 $\mu$ F bypass capacitor should be connected from  $V_{REF}$  to ground.

## 4.10 $V_{REF}$ Out

The charging current for  $C_{REF}$  is supplied through this pin. When the Op Amp output reaches the threshold level, this pin is internally connected to the reference voltage and a charge, equal to  $V_{REF} \times C_{REF}$ , is removed from the integrator capacitor. After about 3 $\mu$ sec, this pin is internally connected to the summing junction of the Op Amp to discharge  $C_{REF}$ . Break-before-make switching ensures that the reference voltage is not directly applied to the summing junction.

# TC9400/9401/9402

## 5.0 VOLTAGE-TO-FREQUENCY (V/F) CONVERTER DESIGN INFORMATION

### 5.1 Input/Output Relationships

The output frequency ( $F_{OUT}$ ) is related to the analog input voltage ( $V_{IN}$ ) by the transfer equation:

#### EQUATION 5-1:

$$\text{Frequency Out} = \frac{V_{IN}}{R_{IN}} \times \frac{1}{(V_{REF})(V_{REF})}$$

### 5.2 External Component Selection

#### 5.2.1 $R_{IN}$

The value of this component is chosen to give a full scale input current of approximately  $10\mu\text{A}$ :

#### EQUATION 5-2:

$$R_{IN} \cong \frac{V_{IN \text{ FULLSCALE}}}{10\mu\text{A}}$$

#### EQUATION 5-3:

$$R_{IN} \cong \frac{10\text{V}}{10\mu\text{A}} = 1\text{M}\Omega$$

Note that the value is an approximation and the exact relationship is defined by the transfer equation. In practice, the value of  $R_{IN}$  typically would be trimmed to obtain full scale frequency at  $V_{IN}$  full scale (see Section 5.3, Adjustment Procedure). Metal film resistors with 1% tolerance or better are recommended for high accuracy applications because of their thermal stability and low noise generation.

#### 5.2.2 $C_{INT}$

The exact value is not critical but is related to  $C_{REF}$  by the relationship:

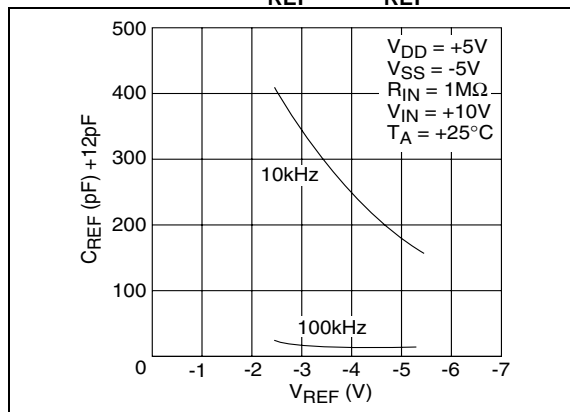
$$3C_{REF} \leq C_{INT} \leq 10C_{REF}$$

Improved stability and linearity are obtained when  $C_{INT} \leq 4C_{REF}$ . Low leakage types are recommended, although mica and ceramic devices can be used in applications where their temperature limits are not exceeded. Locate as close as possible to Pins 12 and 13.

#### 5.2.3 $C_{REF}$

The exact value is not critical and may be used to trim the full scale frequency (see Section 7.1, Input/Output Relationships). Glass film or air trimmer capacitors are recommended because of their stability and low leakage. Locate as close as possible to Pins 5 and 3 (see Figure 5-1).

FIGURE 5-1: RECOMMENDED  $C_{REF}$  VS.  $V_{REF}$



#### 5.2.4 $V_{DD}$ , $V_{SS}$

Power supplies of  $\pm 5\text{V}$  are recommended. For high accuracy requirements, 0.05% line and load regulation and  $0.1\mu\text{F}$  disc decoupling capacitors, located near the pins, are recommended.

### 5.3 Adjustment Procedure

Figure 3-1 shows a circuit for trimming the zero location. Full scale may be trimmed by adjusting  $R_{IN}$ ,  $V_{REF}$ , or  $C_{REF}$ . Recommended procedure for a 10kHz full scale frequency is as follows:

1. Set  $V_{IN}$  to 10mV and trim the zero adjust circuit to obtain a 10Hz output frequency.
2. Set  $V_{IN}$  to 10V and trim either  $R_{IN}$ ,  $V_{REF}$ , or  $C_{REF}$  to obtain a 10kHz output frequency.

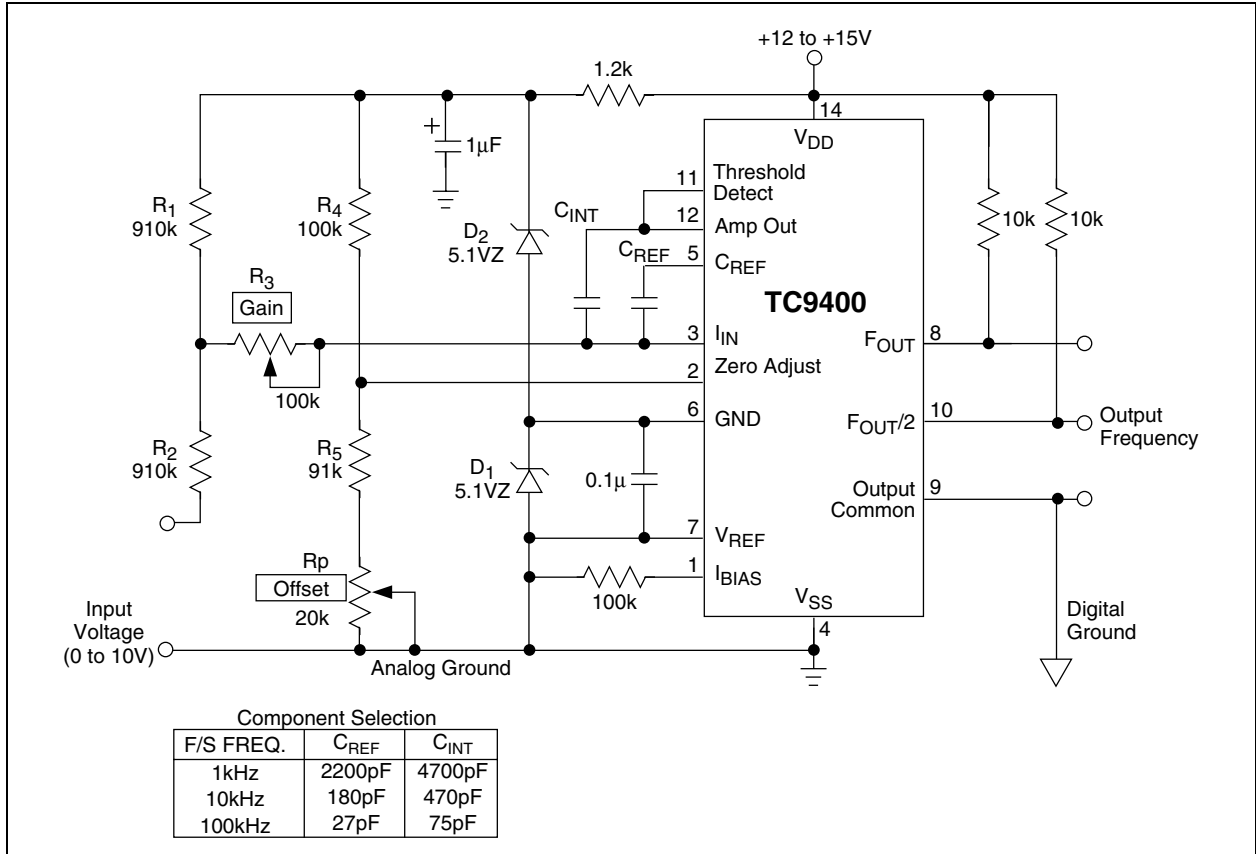
If adjustments are performed in this order, there should be no interaction and they should not have to be repeated.

### 5.4 Improved Single Supply V/F Converter Operation

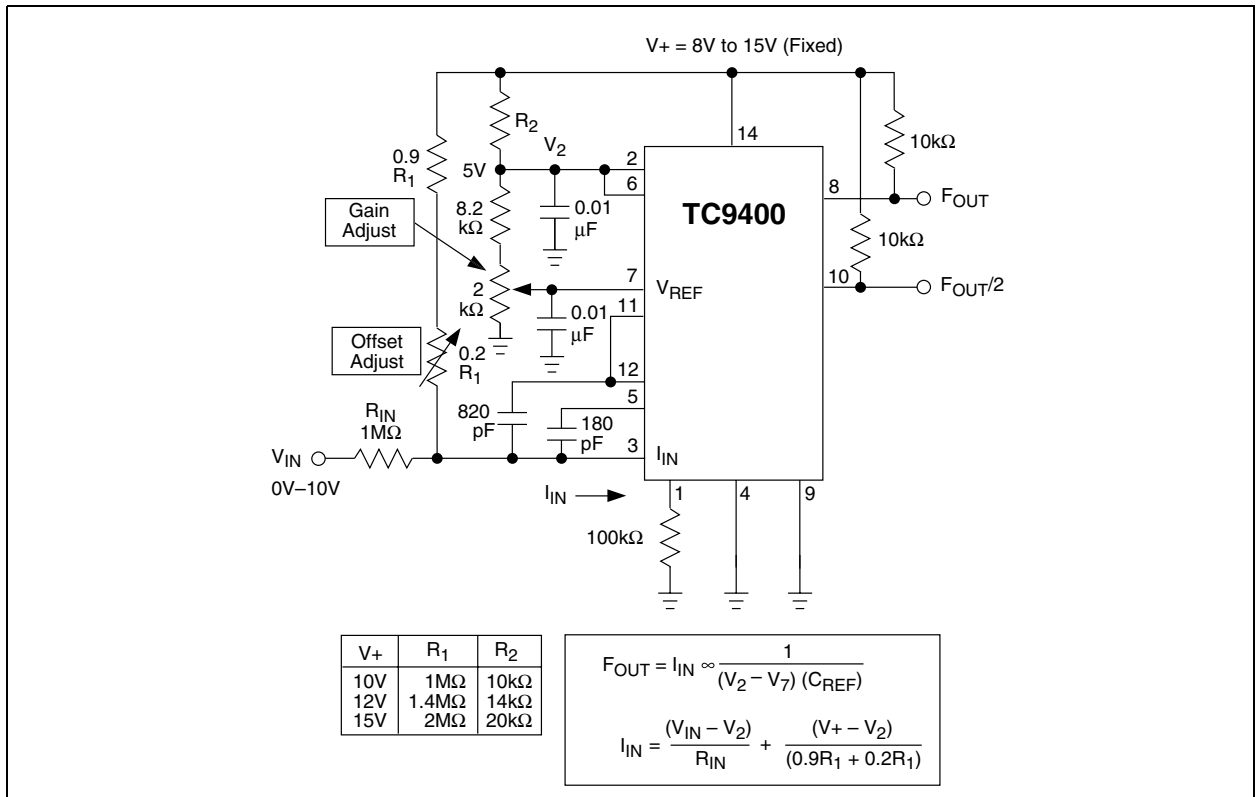
A TC9400, which operates from a single 12 to 15V variable power source, is shown in Figure 5-2. This circuit uses two Zener diodes to set stable biasing levels for the TC9400. The Zener diodes also provide the reference voltage, so the output impedance and temperature coefficient of the Zeners will directly affect power supply rejection and temperature performance. Full scale adjustment is accomplished by trimming the input current. Trimming the reference voltage is not recommended for high accuracy applications unless an Op Amp is used as a buffer, because the TC9400 requires a low impedance reference (see Section 4.9,  $V_{REF}$  pin description, for more information).

The circuit of Figure 5-2 will directly interface with CMOS logic operating at 12V to 15V. TTL or 5V CMOS logic can be accommodated by connecting the output pull-up resistors to the +5V supply. An optoisolator can also be used if an isolated output is required; also, see Figure 5-3.

**FIGURE 5-2: VOLTAGE TO FREQUENCY**



**FIGURE 5-3: FIXED VOLTAGE - SINGLE SUPPLY OPERATION**



# TC9400/9401/9402

## 6.0 FREQUENCY-TO-VOLTAGE (F/V) CIRCUIT DESCRIPTION

When used as an F/V converter, the TC9400 generates an output voltage linearly proportional to the input frequency waveform.

Each zero crossing at the threshold detector's input causes a precise amount of charge ( $q = C_{REF} \times V_{REF}$ ) to be dispensed into the Op Amp's summing junction. This charge, in turn, flows through the feedback resistor, generating voltage pulses at the output of the Op Amp. A capacitor ( $C_{INT}$ ) across  $R_{INT}$  averages these pulses into a DC voltage, which is linearly proportional to the input frequency.

## 7.0 F/V CONVERTER DESIGN INFORMATION

### 7.1 Input/Output Relationships

The output voltage is related to the input frequency ( $F_{IN}$ ) by the transfer equation:

#### EQUATION 7-1:

$$V_{OUT} = [V_{REF} C_{REF} R_{INT}] F_{IN}$$

The response time to a change in  $F_{IN}$  is equal to  $(R_{INT} C_{INT})$ . The amount of ripple on  $V_{OUT}$  is inversely proportional to  $C_{INT}$  and the input frequency.

$C_{INT}$  can be increased to lower the ripple. Values of  $1\mu F$  to  $100\mu F$  are perfectly acceptable for low frequencies.

When the TC9400 is used in the Single Supply mode,  $V_{REF}$  is defined as the voltage difference between Pin 7 and Pin 2.

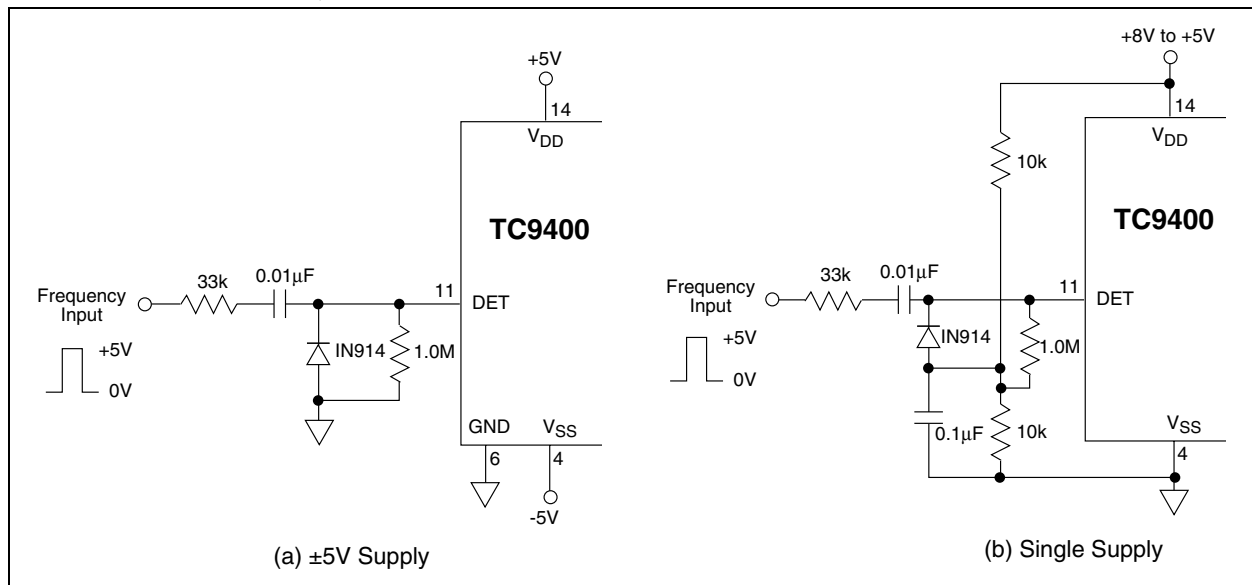
### 7.2 Input Voltage Levels

The input frequency is applied to the Threshold Detector input (Pin 11). As discussed in the V/F circuit section of this data sheet, the threshold of Pin 11 is approximately  $(V_{DD} + V_{SS})/2 \pm 400mV$ . Pin 11's input voltage range extends from  $V_{DD}$  to about 2.5V below the threshold. If the voltage on Pin 11 goes more than 2.5 volts below the threshold, the V/F mode start-up comparator will turn on and corrupt the output voltage. The Threshold Detector input has about 200mV of hysteresis.

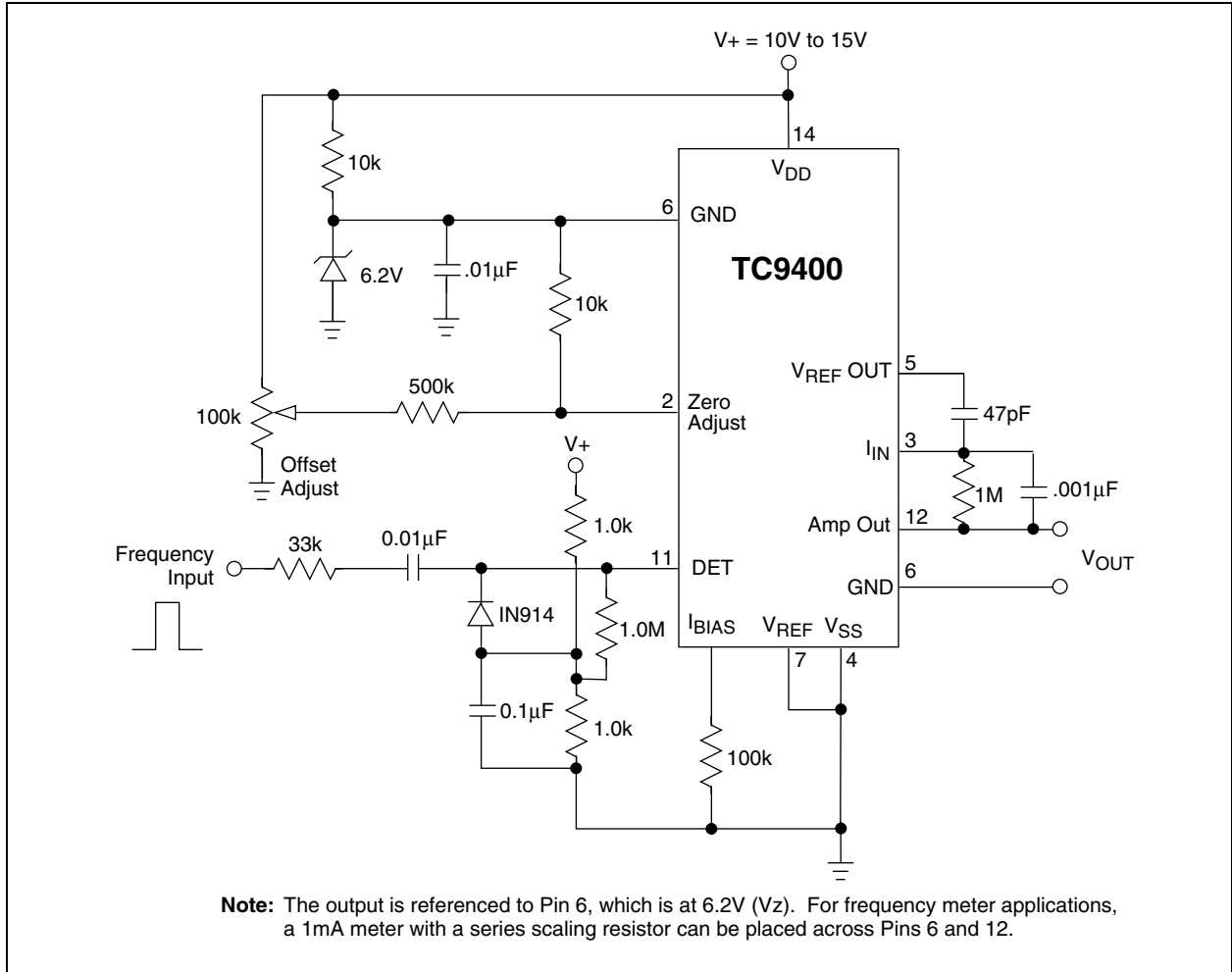
In  $\pm 5V$  applications, the input voltage levels for the TC9400 are  $\pm 400mV$ , minimum. If the frequency source being measured is unipolar, such as TTL or CMOS operating from a +5V source, then an AC coupled level shifter should be used. One such circuit is shown in Figure 7-1(a).

The level shifter circuit in Figure 7-1(b) can be used in single supply F/V applications. The resistor divider ensures that the input threshold will track the supply voltages. The diode clamp prevents the input from going far enough in the negative direction to turn on the start-up comparator. The diode's forward voltage decreases by  $2.1mV/^{\circ}C$ , so for high ambient temperature operation, two diodes in series are recommended; also, see Figure 7-2.

FIGURE 7-1: FREQUENCY INPUT LEVEL SHIFTER



**FIGURE 7-2: F/V SINGLE SUPPLY F/V CONVERTER**

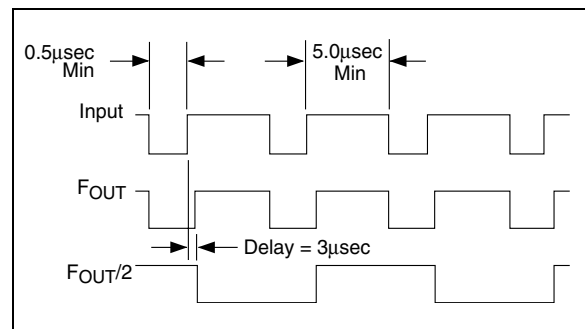


### 7.3 Input Buffer

$F_{OUT}$  and  $F_{OUT}/2$  are not used in the F/V mode. However, these outputs may be useful for some applications, such as a buffer to feed additional circuitry. Then,  $F_{OUT}$  will follow the input frequency waveform, except that  $F_{OUT}$  will go high 3µsec after  $F_{IN}$  goes high;  $F_{OUT}/2$  will be square wave with a frequency of one-half  $F_{OUT}$ .

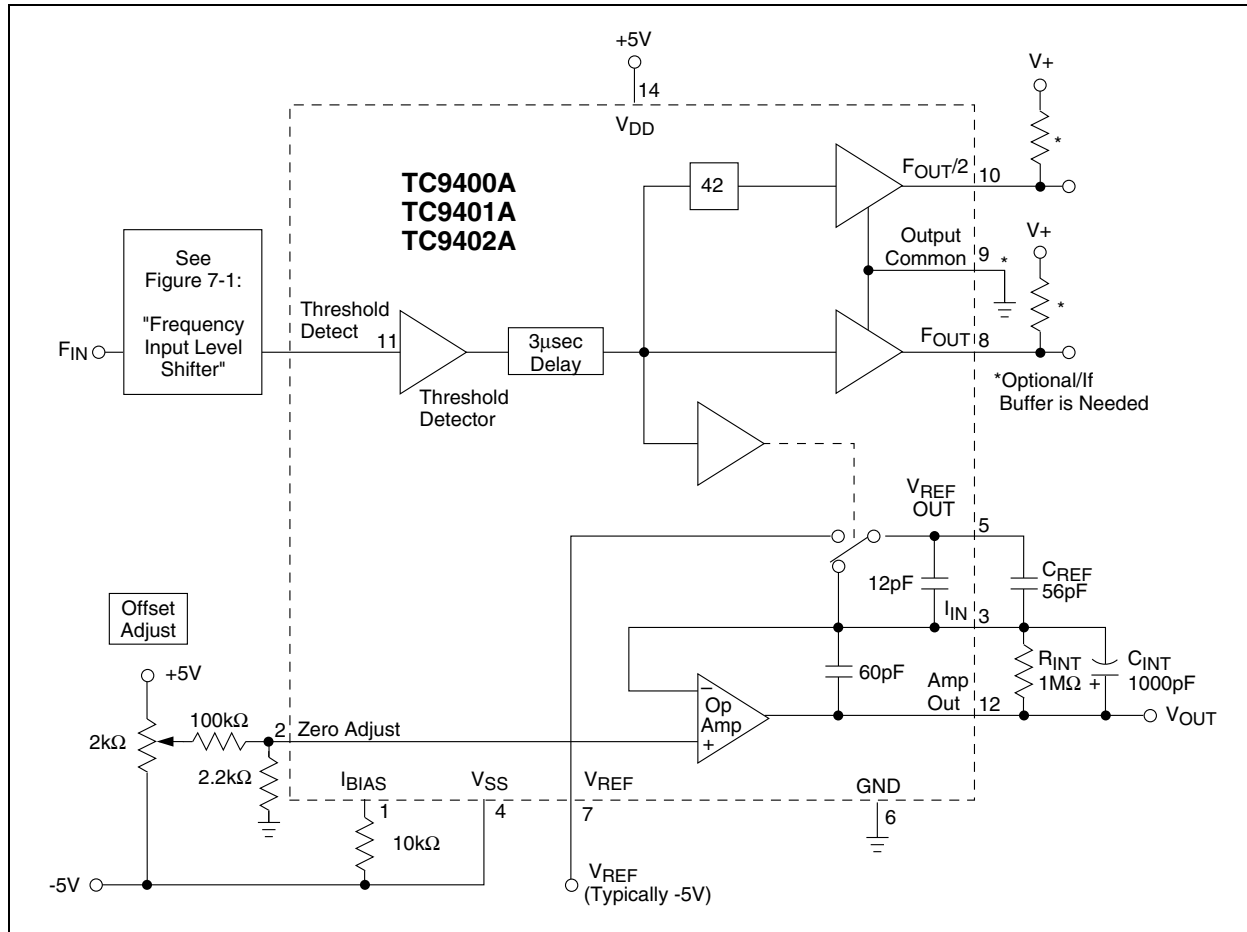
If these outputs are not used, Pins 8, 9 and 10 should be connected to ground (see Figure 7-3 and Figure 7-4).

**FIGURE 7-3: F/V DIGITAL OUTPUTS**



# TC9400/9401/9402

FIGURE 7-4: DC - 10kHz CONVERTER

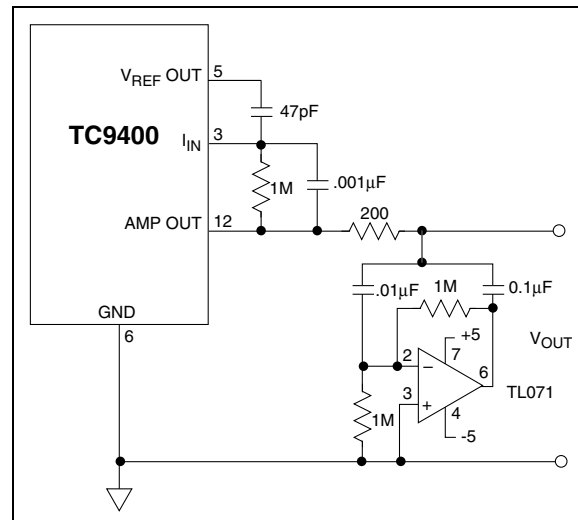


## 7.4 Output Filtering

The output of the TC9400 has a sawtooth ripple superimposed on a DC level. The ripple will be rejected if the TC9400 output is converted to a digital value by an integrating analog-to-digital converter, such as the TC7107 or TC7109. The ripple can also be reduced by increasing the value of the integrating capacitor, although this will reduce the response time of the F/V converter.

The sawtooth ripple on the output of an F/V can be eliminated without affecting the F/V's response time by using the circuit in Figure 7-5. The circuit is a capacitance multiplier, where the output coupling capacitor is multiplied by the AC gain of the Op Amp. A moderately fast Op Amp, such as the TL071, should be used.

FIGURE 7-5: RIPPLE FILTER

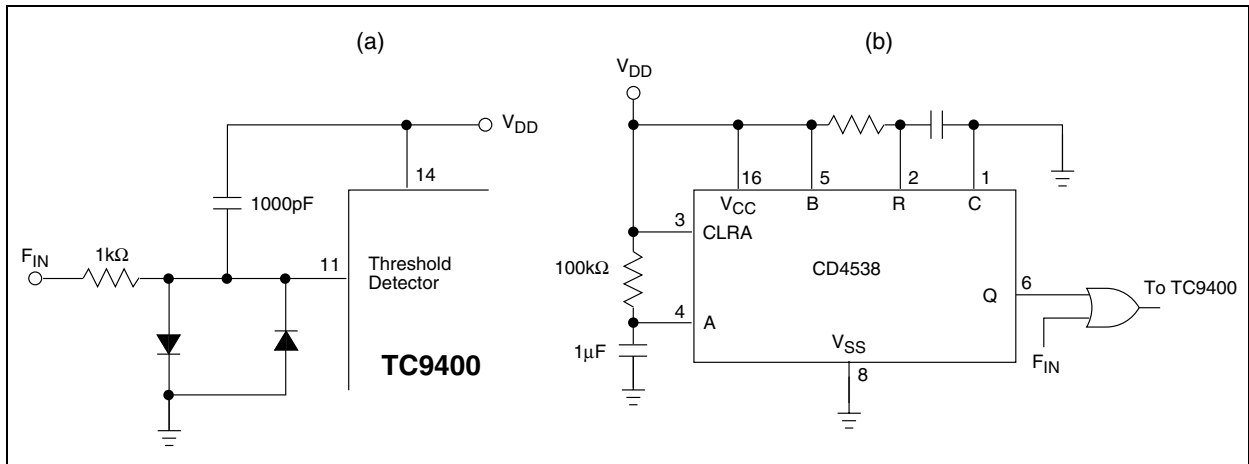


## 8.0 F/V POWER-ON RESET

In F/V mode, the TC9400 output voltage will occasionally be at its maximum value when power is first applied. This condition remains until the first pulse is applied to  $F_{IN}$ . In most frequency measurement applications, this is not a problem because proper operation begins as soon as the frequency input is applied.

In some cases, however, the TC9400 output must be zero at power-on without a frequency input. In such cases, a capacitor connected from Pin 11 to  $V_{DD}$  will usually be sufficient to pulse the TC9400 and provide a Power-on Reset (see Figure 8-1 (a) and (b)). Where predictable power-on operation is critical, a more complicated circuit, such as Figure 8-1 (b), may be required.

**FIGURE 8-1: POWER-ON OPERATION/RESET**



# TC9400/9401/9402

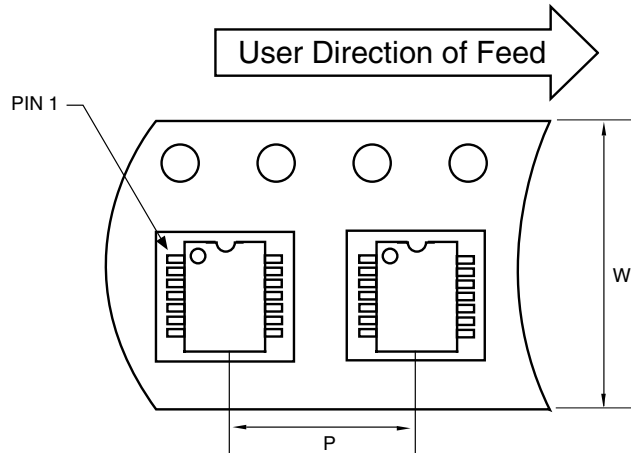
## 9.0 PACKAGE INFORMATION

### 9.1 Package Marking Information

Package marking data is not available at this time.

### 9.2 Taping Form

#### Component Taping Orientation for 14-Pin SOIC (Narrow) Devices



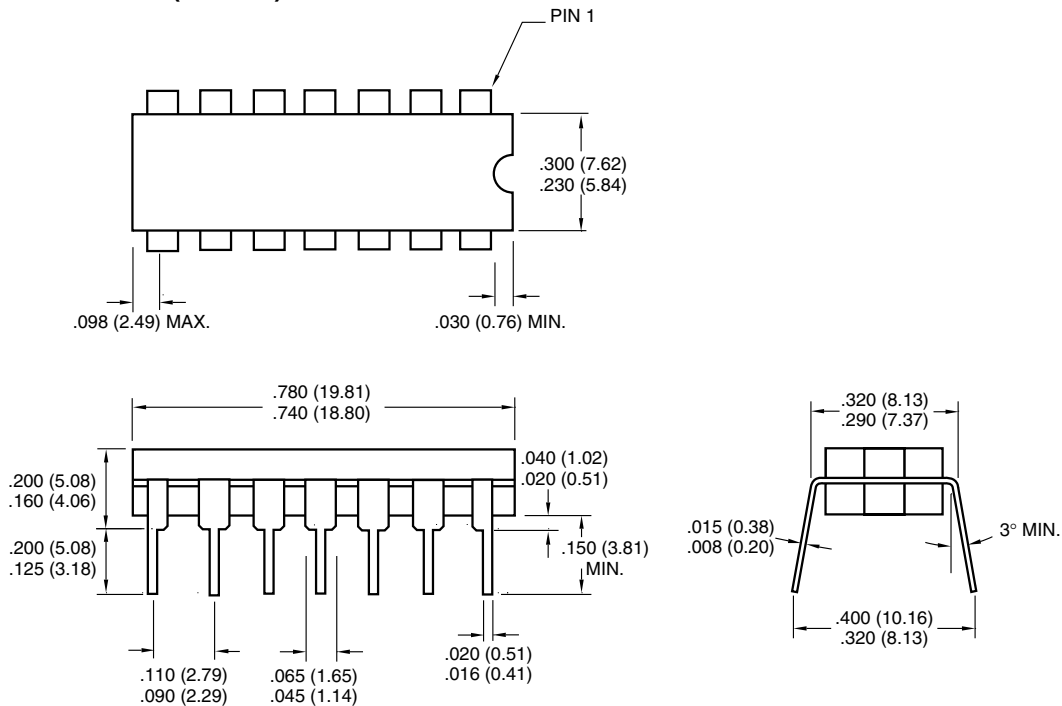
Standard Reel Component Orientation  
for TR Suffix Device

#### Carrier Tape, Reel Size, and Number of Components Per Reel

Package	Carrier Width (W)	Pitch (P)	Part Per Full Reel	Reel Size
14-Pin SOIC (N)	12 mm	8 mm	2500	13 in

### 9.3 Package Dimensions

#### 14-Pin CDIP (Narrow)

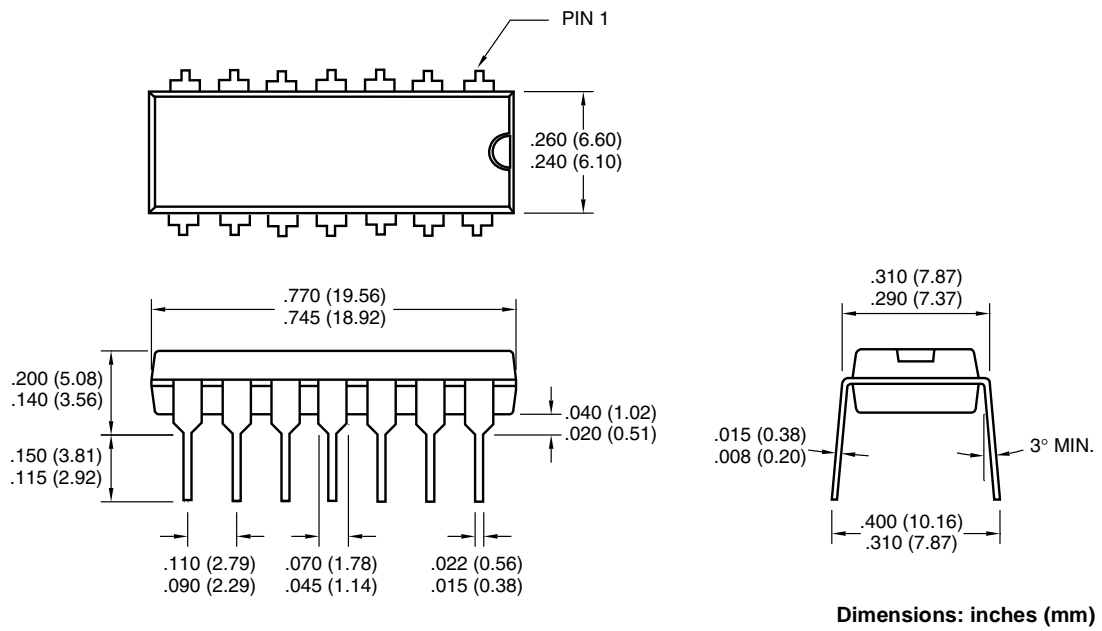


Dimensions: inches (mm)

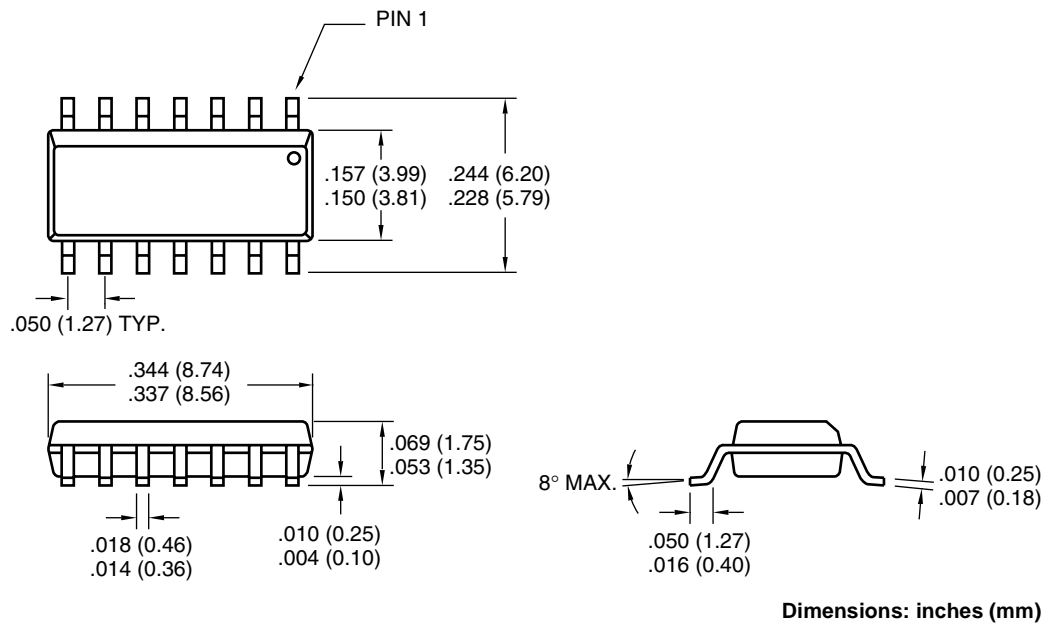


## 9.3 Package Dimensions (Continued)

### 14-Pin PDIP (Narrow)



### 14-Pin SOIC (Narrow)



## SALES AND SUPPORT

### **Data Sheets**

Products supported by a preliminary Data Sheet may have an errata sheet describing minor operational differences and recommended workarounds. To determine if an errata sheet exists for a particular device, please contact one of the following:

1. Your local Microchip sales office
2. The Microchip Corporate Literature Center U.S. FAX: (480) 792-7277
3. The Microchip Worldwide Site ([www.microchip.com](http://www.microchip.com))

Please specify which device, revision of silicon and Data Sheet (include Literature #) you are using.

### **New Customer Notification System**

Register on our web site ([www.microchip.com/cn](http://www.microchip.com/cn)) to receive the most current information on our products.

Information contained in this publication regarding device applications and the like is intended through suggestion only and may be superseded by updates. It is your responsibility to ensure that your application meets with your specifications. No representation or warranty is given and no liability is assumed by Microchip Technology Incorporated with respect to the accuracy or use of such information, or infringement of patents or other intellectual property rights arising from such use or otherwise. Use of Microchip's products as critical components in life support systems is not authorized except with express written approval by Microchip. No licenses are conveyed, implicitly or otherwise, under any intellectual property rights.

## Trademarks


The Microchip name and logo, the Microchip logo, FilterLab, KEELOQ, microID, MPLAB, PIC, PICmicro, PICMASTER, PICSTART, PRO MATE, SEEVAL and The Embedded Control Solutions Company are registered trademarks of Microchip Technology Incorporated in the U.S.A. and other countries.

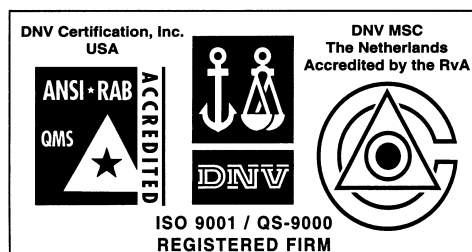
dsPIC, ECONOMONITOR, FanSense, FlexROM, fuzzyLAB, In-Circuit Serial Programming, ICSP, ICEPIC, microPort, Migratable Memory, MPASM, MPLIB, MPLINK, MPSIM, MXDEV, PICC, PICDEM, PICDEM.net, rfPIC, Select Mode and Total Endurance are trademarks of Microchip Technology Incorporated in the U.S.A.

Serialized Quick Turn Programming (SQTP) is a service mark of Microchip Technology Incorporated in the U.S.A.

All other trademarks mentioned herein are property of their respective companies.

© 2002, Microchip Technology Incorporated, Printed in the U.S.A., All Rights Reserved.

 Printed on recycled paper.



*Microchip received QS-9000 quality system certification for its worldwide headquarters, design and wafer fabrication facilities in Chandler and Tempe, Arizona in July 1999 and Mountain View, California in March 2002. The Company's quality system processes and procedures are QS-9000 compliant for its PICmicro® 8-bit MCUs, KEELOQ® code hopping devices, Serial EEPROMs, microperipherals, non-volatile memory and analog products. In addition, Microchip's quality system for the design and manufacture of development systems is ISO 9001 certified.*



# MICROCHIP

## WORLDWIDE SALES AND SERVICE

### AMERICAS

#### Corporate Office

2355 West Chandler Blvd.  
Chandler, AZ 85224-6199  
Tel: 480-792-7200 Fax: 480-792-7277  
Technical Support: 480-792-7627  
Web Address: <http://www.microchip.com>

#### Rocky Mountain

2355 West Chandler Blvd.  
Chandler, AZ 85224-6199  
Tel: 480-792-7966 Fax: 480-792-7456

#### Atlanta

500 Sugar Mill Road, Suite 200B  
Atlanta, GA 30350  
Tel: 770-640-0034 Fax: 770-640-0307

#### Boston

2 Lan Drive, Suite 120  
Westford, MA 01886  
Tel: 978-692-3848 Fax: 978-692-3821

#### Chicago

333 Pierce Road, Suite 180  
Itasca, IL 60143  
Tel: 630-285-0071 Fax: 630-285-0075

#### Dallas

4570 Westgrove Drive, Suite 160  
Addison, TX 75001  
Tel: 972-818-7423 Fax: 972-818-2924

#### Detroit

Tri-Atria Office Building  
32255 Northwestern Highway, Suite 190  
Farmington Hills, MI 48334  
Tel: 248-538-2250 Fax: 248-538-2260

#### Kokomo

2767 S. Albright Road  
Kokomo, Indiana 46902  
Tel: 765-864-8360 Fax: 765-864-8387

#### Los Angeles

18201 Von Karman, Suite 1090  
Irvine, CA 92612  
Tel: 949-263-1888 Fax: 949-263-1338

#### New York

150 Motor Parkway, Suite 202  
Hauppauge, NY 11788  
Tel: 631-273-5305 Fax: 631-273-5335

#### San Jose

Microchip Technology Inc.  
2107 North First Street, Suite 590  
San Jose, CA 95131  
Tel: 408-436-7950 Fax: 408-436-7955

#### Toronto

6285 Northam Drive, Suite 108  
Mississauga, Ontario L4V 1X5, Canada  
Tel: 905-673-0699 Fax: 905-673-6509

### ASIA/PACIFIC

#### Australia

Microchip Technology Australia Pty Ltd  
Suite 22, 41 Rawson Street  
Epping 2121, NSW  
Australia  
Tel: 61-2-9868-6733 Fax: 61-2-9868-6755

#### China - Beijing

Microchip Technology Consulting (Shanghai)  
Co., Ltd., Beijing Liaison Office  
Unit 915  
Bei Hai Wan Tai Bldg.  
No. 6 Chaoyangmen Beidajie  
Beijing, 100027, No. China  
Tel: 86-10-85282100 Fax: 86-10-85282104

#### China - Chengdu

Microchip Technology Consulting (Shanghai)  
Co., Ltd., Chengdu Liaison Office  
Rm. 2401, 24th Floor,  
Ming Xing Financial Tower  
No. 88 TIDU Street  
Chengdu 610016, China  
Tel: 86-28-6766200 Fax: 86-28-6766599

#### China - Fuzhou

Microchip Technology Consulting (Shanghai)  
Co., Ltd., Fuzhou Liaison Office  
Unit 28F, World Trade Plaza  
No. 71 Wusi Road  
Fuzhou 350001, China  
Tel: 86-591-7503506 Fax: 86-591-7503521

#### China - Shanghai

Microchip Technology Consulting (Shanghai)  
Co., Ltd.  
Room 701, Bldg. B  
Far East International Plaza  
No. 317 Xian Xia Road  
Shanghai, 200051  
Tel: 86-21-6275-5700 Fax: 86-21-6275-5060

#### China - Shenzhen

Microchip Technology Consulting (Shanghai)  
Co., Ltd., Shenzhen Liaison Office  
Rm. 1315, 13/F, Shenzhen Kerry Centre,  
Renminnan Lu  
Shenzhen 518001, China  
Tel: 86-755-2350361 Fax: 86-755-2366086

#### Hong Kong

Microchip Technology Hongkong Ltd.  
Unit 901-6, Tower 2, Metroplaza  
223 Hing Fong Road  
Kwai Fong, N.T., Hong Kong  
Tel: 852-2401-1200 Fax: 852-2401-3431

#### India

Microchip Technology Inc.  
India Liaison Office  
Divyasree Chambers  
1 Floor, Wing A (A3/A4)  
No. 11, O'Shaugnessey Road  
Bangalore, 560 025, India  
Tel: 91-80-2290061 Fax: 91-80-2290062

### Japan

Microchip Technology Japan K.K.  
Benex S-1 6F  
3-18-20, Shinyokohama  
Kohoku-Ku, Yokohama-shi  
Kanagawa, 222-0033, Japan  
Tel: 81-45-471-6166 Fax: 81-45-471-6122

### Korea

Microchip Technology Korea  
168-1, Youngbo Bldg. 3 Floor  
Samsung-Dong, Kangnam-Ku  
Seoul, Korea 135-882  
Tel: 82-2-554-7200 Fax: 82-2-558-5934

### Singapore

Microchip Technology Singapore Pte Ltd.  
200 Middle Road  
#07-02 Prime Centre  
Singapore, 188980  
Tel: 65-6334-8870 Fax: 65-6334-8850

### Taiwan

Microchip Technology Taiwan  
11F-3, No. 207  
Tung Hua North Road  
Taipei, 105, Taiwan  
Tel: 886-2-2717-7175 Fax: 886-2-2545-0139

### EUROPE

#### Denmark

Microchip Technology Nordic ApS  
Regus Business Centre  
Lautrup høj 1-3  
Ballerup DK-2750 Denmark  
Tel: 45 4420 9895 Fax: 45 4420 9910

#### France

Microchip Technology SARL  
Parc d'Activite du Moulin de Massy  
43 Rue du Saule Trapu  
Batiment A - 1er Etage  
91300 Massy, France  
Tel: 33-1-69-53-63-20 Fax: 33-1-69-30-90-79

#### Germany

Microchip Technology GmbH  
Gustav-Heinemann Ring 125  
D-81739 Munich, Germany  
Tel: 49-89-627-144 0 Fax: 49-89-627-144-44

#### Italy

Microchip Technology SRL  
Centro Direzionale Colleoni  
Palazzo Taurus 1 V. Le Colleoni 1  
20041 Agrate Brianza  
Milan, Italy  
Tel: 39-039-65791-1 Fax: 39-039-6899883

#### United Kingdom

Arizona Microchip Technology Ltd.  
505 Eskdale Road  
Winnersh Triangle  
Wokingham  
Berkshire, England RG41 5TU  
Tel: 44 118 921 5869 Fax: 44-118 921-5820

03/01/02

