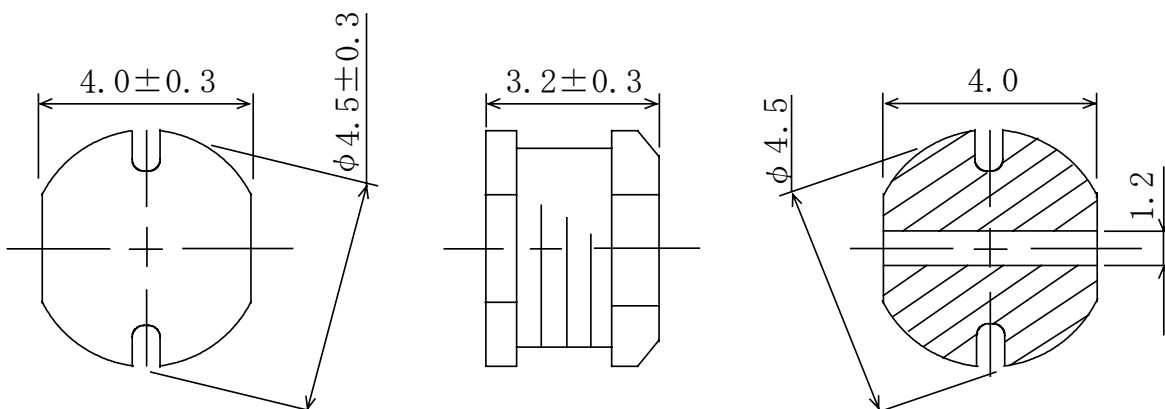
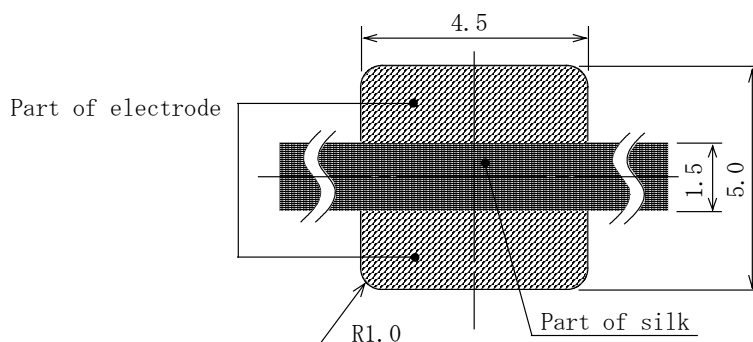


**Type: CD43**
**◆ Product Description**

- 4.8×4.3mm Max.(L×W),3.5mm Max. Height.
- Inductance range: 1.0~68 μ H
- Rated current range:0.37~2.7A
- In addition to the standard versions of inductors shown here, custom inductors are available to meet your exact requirements.


**◆ Feature**

- Magnetically unshielded construction.
- Ideally used in Mobilephone,PDA,MP3,DSC/DVC,portable DVD,etc as DC-DC Converter inductors.
- RoHS Compliance

**◆ Dimensions (mm)**

**◆ Land Pattern (mm)**


**Type: CD43**
**◆ Specification**

Part Name ※	Stamp	Inductance [Within] (μH) ※1	D.C.R. (mΩ) [Max.] (at 20°C)	Rated Current (A) ※2	S.R.F. (MHz) [TYP.]
CD43NP-1R0M□	1R0	1.0±20%	48.7	2.70	113.8
CD43NP-1R4M□	1R4	1.4±20%	56.2	2.50	101.0
CD43NP-1R8M□	1R8	1.8±20%	63.7	2.33	92.0
CD43NP-2R2M□	2R2	2.2±20%	71.2	2.25	76.3
CD43NP-2R7M□	2R7	2.7±20%	78.7	2.16	66.6
CD43NP-3R3M□	3R3	3.3±20%	86.2	2.00	63.8
CD43NP-3R9M□	3R9	3.9±20%	93.7	1.84	53.8
CD43NP-4R7M□	4R7	4.7±20%	108.7	1.62	49.5
CD43NP-5R6M□	5R6	5.6±20%	125.7	1.48	43.2
CD43NP-6R8M□	6R8	6.8±20%	131.2	1.43	41.4
CD43NP-8R2M□	8R2	8.2±20%	146.2	1.37	35.8
CD43NP-100M□	100	10±20%	182	1.04	35.8
CD43NP-120M□	120	12±20%	210	0.97	32.4
CD43NP-150M□	150	15±20%	235	0.85	29.3
CD43NP-180M□	180	18±20%	338	0.74	27.5
CD43NP-220M□	220	22±20%	378	0.68	24.7
CD43NP-270M□	270	27±20%	522	0.62	21.7
CD43NP-330K□	330	33±10%	540	0.56	19.6
CD43NP-390K□	390	39±10%	587	0.52	18.0
CD43NP-470K□	470	47±10%	844	0.44	15.6
CD43NP-560K□	560	56±10%	937	0.42	14.8
CD43NP-680K□	680	68±10%	1117	0.37	13.2

**※ Description of part name**

CD43NP-1R0M□

— B Box

— C Carrier tape

※1: Measuring frequency: L 1.0 μH ~ 8.2 μH ; at 7.96 MHz  
10 μH ~ 68 μH ; at 2.52 MHz

※2: Rated current: The DC current at which the inductance decreases to 90 % of its initial value or when Δt=40°C, whichever is lower (Ta=20°C).